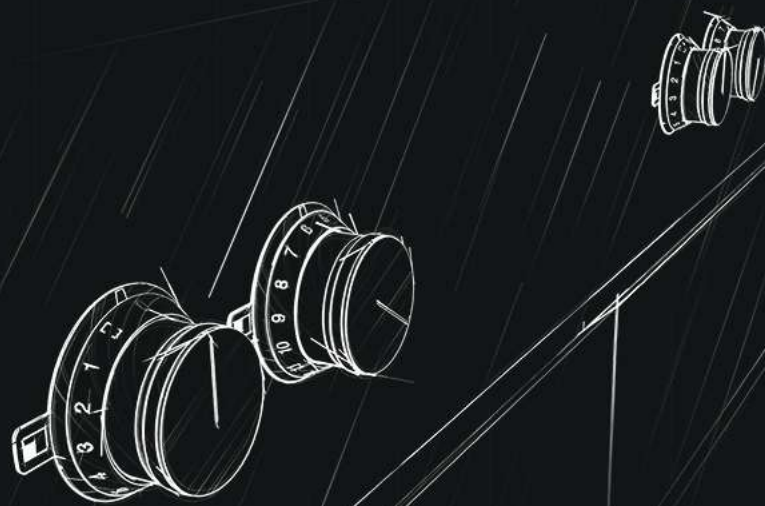
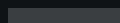


GAGGENAU



The models and dimensions

2022 edition II



The definitive guide to the definitive kitchen

The world of Gaggenau is within your hands.

Our products perform exceptionally, are technologically advanced, built without compromise and designed to be appreciated.

This comprehensive handbook will enable the smooth, creation of the kitchen for your client. It is all here, clearly presented, easy to find and utterly complete. See for yourself.

The difference is Gaggenau.

The oven EB 333

2



The ovens 400 series

6



The ovens 200 series

38



The Vario cooktops

66



The cooktops

126



The extractors

178



The cooling appliances

252



The dishwashers | laundry

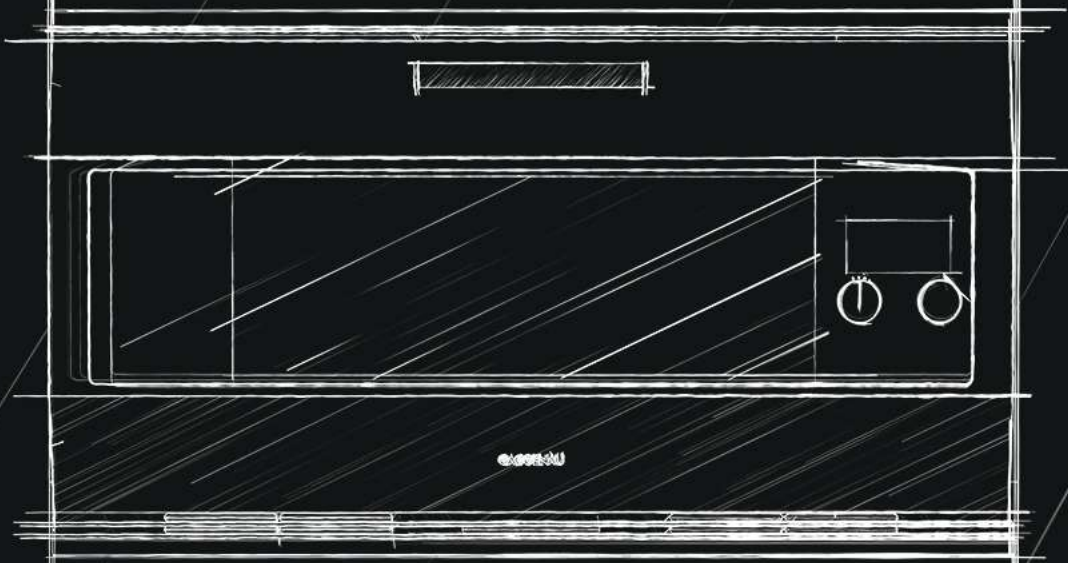
316



Energy Label | Home Connect | The accessories

342





© 2023

The oven EB 333

EB 333	4
Accessories special accessories EB 333	5



EB 333 111

Stainless steel

Width 90 cm



Included in the price

- 1 baking tray, enamelled pyrolysis-safe
- 1 rotisserie spit
- 1 wire rack
- 1 grill tray with wire rack
- 1 plug-in core temperature probe

Special accessories

BA 018 105

Pull-out system

Fully extendable telescopic rails and enamelled cast iron frame.

BA 028 115

Baking tray, enamelled

30 mm deep.

BA 038 105

Wire rack, chromium-plated

Without opening, with feet.

BA 058 115

Heating element for baking stone and

Gastronorm roaster.

BA 058 133

Baking stone.

Incl. baking stone support and pizza paddle (heating element must be ordered separately).

Not in combination with pull-out system.

BA 090 100

Black rotary knobs for EB 333, set of 2

Stainless steel knobs with black coating.

BS 020 002

Pizza paddle, set of 2.

GN 340 230

Gastronorm roaster in cast aluminium.

GN 2/3, height 165 mm, non-stick.

Oven

EB 333

- One-piece front-hinged door with 3 mm precision crafted stainless steel front door panel
- Cushioned door opening and closing system
- Diagonally positioned light sources for optimal interior lighting
- Pyrolytic system
- 17 heating methods with core temperature probe, rotisserie spit and baking stone function
- Automatic programmes
- Core temperature probe with estimation of cooking time
- Hot air fan rotates in both directions for ideal heat distribution
- TFT touch display
- Panel-free appliance with control module behind glass
- Electronic temperature control from 30 °C to 300 °C
- Net volume 83 litres

Heating methods

Hot air.

Eco hot air.

Top + bottom heat.

Top + 1/3 bottom heat.

Top heat.

1/3 top + bottom heat.

Bottom heat.

Hot air + bottom heat.

Hot air + 1/3 bottom heat.

Full surface grill + circulated air.

Full surface grill.

Compact grill.

Baking stone function.

Roaster function.

Dough proofing.

Defrosting.

Keeping warm.

Handling

Rotary knob and TFT touch display operation.

Clear text display.

Option to save individual recipes

(incl. core temperature probe).

Personalisation of automatic programmes.

Information key with use indicators.

Front-hinged door with 90° door opening angle.

Features

Three-point core temperature probe with automatic shut-off and estimation of cooking time.

Automatic programmes.

Rotisserie spit.

Baking stone socket.

Actual temperature display.

Rapid heating.

Timer functions: cooking time, cooking time end, timer, stopwatch, long-term timer (certified by Star-K).

60 W halogen light on the top.

2 x 10 W halogen light on the side.

Enamelled side shelf supports with 3 tray levels, pyrolysis-safe.

Home network integration for digital services (Home Connect) either via cable connection LAN (recommended) or wireless via WiFi.

The use of the Home Connect functionality depends on the Home Connect services, which are not available in every country. For further information please check: home-connect.com.

Please read additional information on Home Connect on page 345.

Safety

Thermally insulated door with quintuple glazing.

Child lock.

Safety shut-off.

Cooled housing with temperature protection.

Cleaning

Pyrolytic system.

Gaggenau enamel.

Heated catalyser to clean the oven air.

Planning notes

The door panel surface of the appliance extends 40 mm from the furniture cavity.

The outer edge of the door handle extends 90 mm from the furniture cavity.

For installation underneath cooktops: Distance between the underside of the cooktop and the top edge of the oven cavity: min. 15 mm. The planning notes for the cooktops (particularly regarding ventilation, gas/electric connection) must be taken into account.

To achieve the 550 mm installation depth, the connection cable needs to follow the slanted edge on the corner of the housing.

The mains socket needs to be planned outside the built-in niche.

The LAN port can be found at the back on the upper left side.

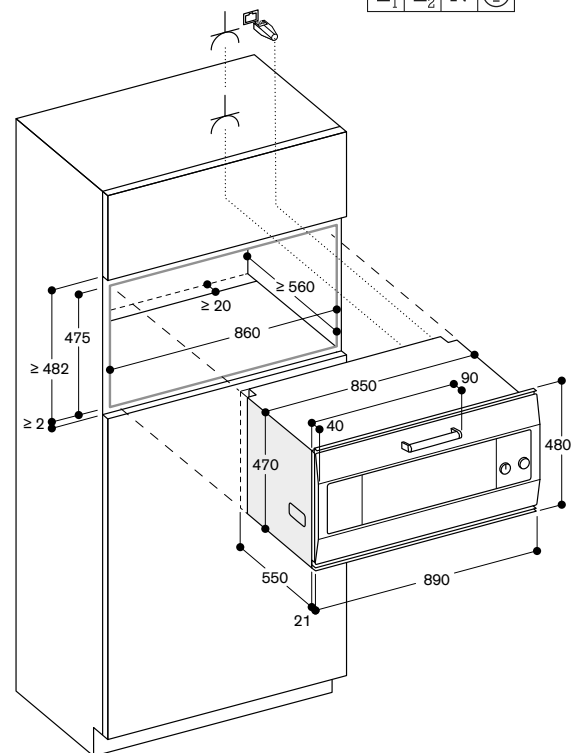
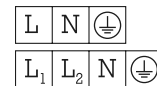
Connection

Energy efficiency class A at a range of energy efficiency classes from A+++ to D.

Total connected load 5.4 kW.

Plan a connection cable.

Plan a LAN cable.



Socket

measurements in mm

*Energy efficiency class: at a range of energy efficiency classes from A+++ to D.

Advice: Not every illustrated accessory fits to every oven.

BA 090 100
Stainless steel knobs with black coating.



BA 018 105
Pull-out system
Fully extendable telescopic rails and enamelled cast iron frame.



BA 028 115
Baking tray, enamelled
30 mm deep.



BA 038 105
Wire rack, chromium-plated
Without opening, with feet.



BA 058 115
Heating element for baking stone and
Gastronorm roaster



BA 058 133
Baking stone
Incl. baking stone support and pizza
paddle (heating element must be
ordered separately). Not in combina-
tion with pull-out system.

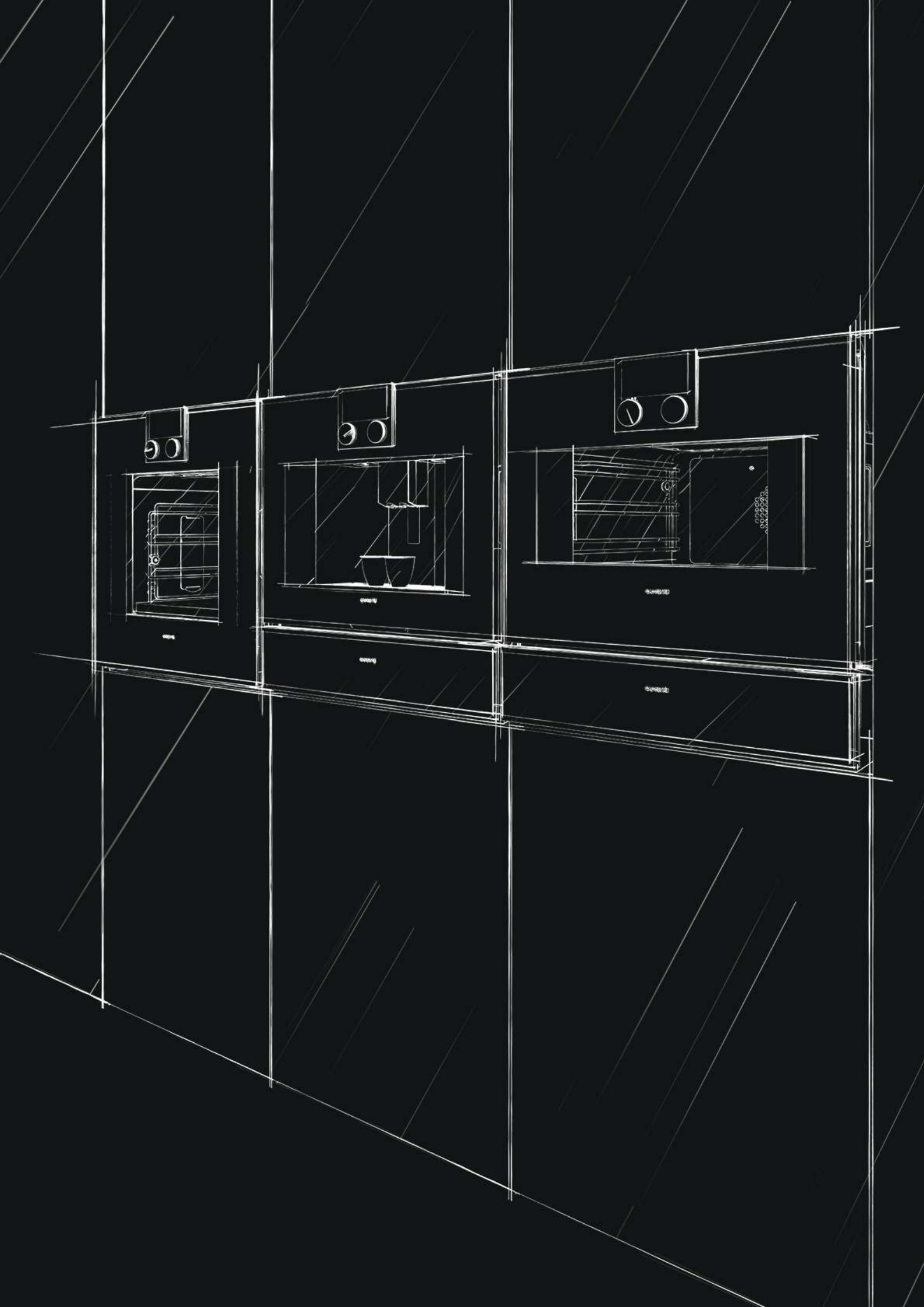


BS 020 002
Pizza paddle, set of 2.



GN 340 230
Gastronorm roaster in cast aluminium
GN 2/3, height 165 mm, non-stick
For roasting in oven with roasting
function.
Lower and upper part can also be
used separately, height 100 and
65 mm.
For ovens with heating element
BA 056 115 or BA 058 115 and
pull-out system BA 016 or BA 018
(both to be ordered separately) and
Combi-steam and steam ovens.





The ovens 400 series

Checklist for appliance combinations 400 series	8
Planning notes for ovens and oven combinations	12
Ovens 400 series	14
Combi-steam ovens 400 series	20
Combi-microwave ovens 400 series	26
Fully automatic espresso machine 400 series	28
Vacuuming drawers 400 series	30
Warming drawers 400 series	32
Accessories special accessories 400 series	36

Checklist for appliance combinations 400 series

This checklist provides the most relevant parameters for the perfect combination and ordering of ovens, Combi-steam ovens, Combi-microwave ovens, fully automatic espresso machine, vacuuming drawers, warming drawers and dishwashers.

In general:

- All appliances shown can be obtained with stainless-steel-backed full glass doors.
- When several appliances are listed (BS/BM and DV/WS), the first appliance is shown.

Vertical combinations

When planning and ordering please note that

- The door hinges of the appliances must be on the same side.
- The door hinge (right-/left-hinged) is not reversible.
- The width of the appliances is identical.
- The control modules of the two appliances should meet each other in the middle of the combination.
- No further appliances may be fitted above the BS.
- Only appliances with controls at the top can be installed above a dishwasher. The niche for appliances that are installed above it must be 56 cm wide. The dishwasher is 60 cm wide. A stainless-steel-backed full glass door can be obtained as a special accessory.

Horizontal combinations

When planning and ordering please note that

- The door hinges need to be placed on the outside in order to use the full available door opening angle.
- The door hinge (right-/left-hinged) is not reversible.
- A minimum clearance of 10 mm between the two doors must be observed.
- Combi-steam ovens, Combi-microwave ovens and fully automatic espresso machine in combination with a vacuuming drawer or a warming drawer (14 cm in height) have the same total height as a 60 cm wide oven.
- The control modules are either all at the top or all at the bottom.

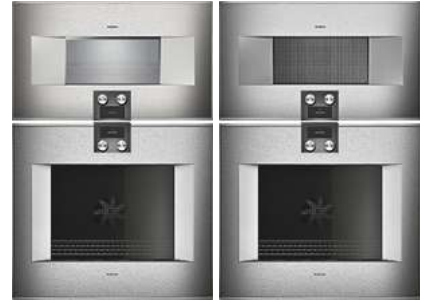
BO Ovens
 BS Combi-steam ovens
 BM Combi-microwave ovens
 CM Fully automatic espresso machine
 DV Vacuuming drawers
 WS Warming drawers
 DF Dishwashers

Vertical combination, 76 cm / 30" wide appliances



- BS 484/BM 484
- BO 480
- WS 482
- BX 480
- WS 482

Combination of 4, 76 cm / 30" wide appliances



- BS 485/BM 485
- BO 481
- BS 484/BM 484
- BO 480

Horizontal combination, 76 cm / 30" wide appliances



- BO 481
- BO 480

Vertical combination, 60 cm wide appliances



- BS 474/BS 454/BM 454
- BO 470/BO 450
- WS 462
- BS 454/BS 474/BM 454
- BO 470/BO 450
- WS 462
- BS 454/BS 474/BM 454
- BM 450
- DV 461/WS 461
- BM 454/BS 474/BS 454
- CM 470/CM 450
- WS 461/DV 461



- BO 470/BO 450
- DF
- BS 470/BS 450/BM 450
- DF
- CM 470/CM 450
- DF

Horizontal combination, 60 cm wide appliances



▪ BO 471/BO 451



▪ BO 470/BO 450



▪ BO 471/BO 451



▪ BS 470/BS 450/BM 450
▪ DV 461/WS 461



▪ BO 471/BO 451



▪ CM 470/CM 450
▪ WS 461/DV 461



▪ BS 451/BS 471/BM 451
▪ WS 461/DV 461



▪ BM 450/BS 470/BS 450
▪ DV 461/WS 461



▪ BS 471/BS 451/BM 451
▪ DV 461/WS 461



▪ CM 470/CM 450
▪ WS 461/DV 461



▪ BO 471/BO 451



▪ CM 470/CM 450
▪ WS 461/DV 461



▪ BS 470/BS 450/BM 450
▪ DV 461/WS 461



▪ BM 451/BS 471/BS 451
▪ WS 461/DV 461



▪ CM 470/CM 450
▪ DV 461/WS 461



▪ BS 450/BS 470/BM 450
▪ WS 461/DV 461

Combination of 4 with warming drawer, 60 cm wide appliances



▪ BS 455/BS 475/BM 455
▪ BO 471/BO 451



▪ BM 454/BS 474/BS 454
▪ CM 470/CM 450
▪ DV 461/WS 461

Checklist for appliance combinations 400 series

Vertical combination, 60 cm / 30" wide appliances

This checklist provides the most relevant parameters for the perfect combination and ordering of ovens, Combi-steam ovens, Combi-microwave ovens, fully automatic espresso machine, vacuuming drawers, warming drawers and dishwashers.

In general:

- All appliances shown can be obtained with full glass doors in Gaggenau Anthracite.
- When several appliances are listed (BS/BM), the first appliance is shown.

Vertical combinations

When planning and ordering please note that

- The door hinges of the appliances must be on the same side.
- The door hinge (right-/left-hinged) is not reversible.
- The width of the appliances is identical.
- The control modules of the two appliances should meet each other in the middle of the combination.
- No further appliances may be fitted above the BS.
- Only appliances with controls at the top can be installed above a dishwasher. The niche for appliances that are installed above it must be 56 cm wide. The dishwasher is 60 cm wide.



- BS 474/BS 454/BM 454
- BO 470
- WS 462



- BM 454/BS 474
- BO 470
- WS 462



- BS 474/BS 454/BM 454
- BM 450
- DV 461/WS 461



- BM 454/BS 474
- CM 470/CM 450
- WS 461/DV 461



- BO 470
- DF



- BS 470/BM 450
- DF



- CM 470/CM 450
- DF

Horizontal combinations

When planning and ordering please note that

- The door hinges need to be placed on the outside in order to use the full available door opening angle.
- The door hinge (right-/left-hinged) is not reversible.
- A minimum clearance of 10 mm between the two doors must be observed.
- Combi-steam ovens, Combi-microwave ovens and fully automatic espresso machine in combination with a vacuuming drawer or a warming drawer (14 cm in height) have the same total height as a 60 cm wide oven.
- The control modules are either all at the top or all at the bottom.

- BO Ovens
- BS Combi-steam ovens
- BM Combi-microwave ovens
- CM Fully automatic espresso machine
- DV Vacuuming drawers
- WS Warming drawers
- DF Dishwashers

Horizontal combination, 60 cm wide appliances



▪ BO 471 ▪ BO 470



▪ BO 471 ▪ BS 470/BM 450
▪ DV 461/WS 461



▪ BO 471 ▪ CM 470/CM 450
▪ WS 461/DV 461



▪ BS 471/BM 451 ▪ BM 450/BS 470
▪ DV 461/WS 461 ▪ WS 461/DV 461



▪ BS 471/BM 451 ▪ CM 470/CM 450
▪ DV 461/WS 461 ▪ WS 461/DV 461



▪ BO 471 ▪ CM 470/CM 450 ▪ BS 470/BM 450
▪ WS 461/DV 461 ▪ DV 461/WS 461



▪ BM 451/BS 471 ▪ CM 470/CM 450 ▪ BS 470/BM 450
▪ WS 461/DV 461 ▪ WS 461/DV 461 ▪ DV 461/WS 461

Combination of 4 with warming drawer, 60 cm wide appliances



▪ BS 475/BM 455 ▪ BM 454/BS 474
▪ BO 471 ▪ CM 470/CM 450
▪ DV 461/WS 461

Planning notes for the installation of ovens and oven combinations 400 and 200 series

General notes

Installation behind kitchen furniture doors

Appropriate measures must be taken to prevent these types of doors from closing when the appliance is heating or while it is cooling down (fan operation).

Installation side by side

When appliances are installed side by side, the clearance between the appliances must be at least 10 mm (corresponds to the standard outside measurement of the furniture cavity of 600 or 762 mm).

The door hinges need to be placed outside in order to use the full available door opening angle.

Combination of ovens and Vario cooling 400 series appliances

Please check the planning notes in the information for Vario cooling 400 series appliances in order to prevent the refrigerator door from colliding with the oven.

Necessary air cross section at the door edges

Gaggenau ovens are cooled with fresh air at the top edge and side edges of the door. Hot air is blown out at the door bottom edge. Combi-steam ovens and Combi-microwave ovens have the air inlet at the side edges of the door and the hot air and steam outlets at the top edge of the door. In order to prevent appliances from overheating and to ensure that they cool down as required after operation, appropriate minimum cross sections of free space must be maintained from kitchen furniture edges.

The measurements given in the drawing apply to all appliances. The following must also be observed:

The area above the appliances

BS:

No other electrical appliances should be installed above the BS. It is recommended that a horizontal handle is not fitted on furniture above the BS.

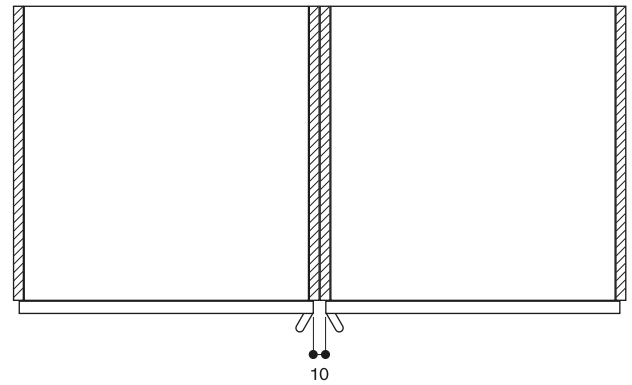
Where the edge of a kitchen unit protrudes more than 20 mm from the front edge of the furniture cavity, the edge of the kitchen furniture panel must be steam resistant as is the case above a dishwasher. Steam may possibly penetrate into the compartment.

The area below the appliances

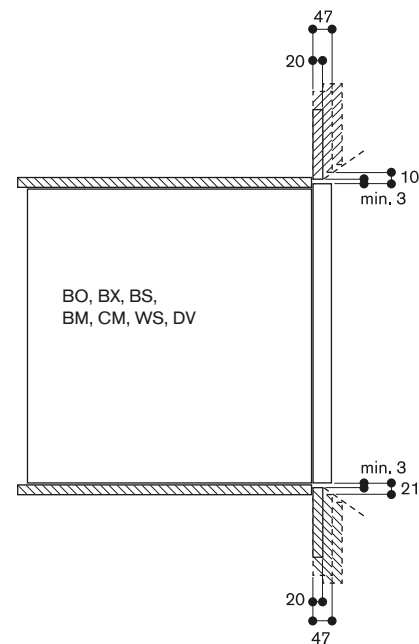
DV / WS:

It must be ensured that there is sufficient access to the lower edge of the vacuuming drawer and warming drawer, if the thickness of the kitchen furniture door is greater than 20 mm in front of the furniture cavity.

When installed next to each other



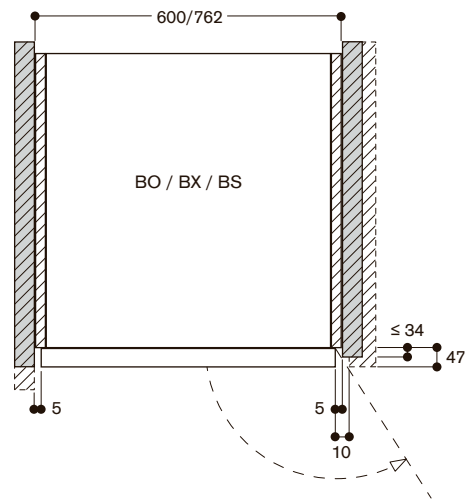
Cross section of the top/bottom door edge gaps



At the sides

In cases where kitchen furniture door thicknesses are greater or where sidewalls protrude up to 34 mm from front of the edge of the furniture cavity, the minimum distance on the hinge side is sufficient for the air supply and a door opening angle of 120°. Above that, a distance of 10 mm or even more is required.

The handle side may, if required, be covered by a side panel provided that the minimum distance is maintained.

Air inlet cross section at the door edges

Measurements in mm



Controls centered

Right-hinged

BX 480 112

Stainless steel-backed full glass door
Width 76 cm

Left-hinged

BX 481 112

Stainless steel-backed full glass door
Width 76 cm



Included in the price

- 2 baking trays, enamelled pyrolysis-safe
- 1 rotisserie spit
- 2 wire racks
- 2 grill trays with wire rack
- 1 plug-in core temperature probe

Special accessories

BA 018 105

Pull-out system
Fully extendable telescopic rails and enamelled cast iron frame.

BA 028 115

Baking tray, enamelled
30 mm deep.

BA 038 105

Wire rack, chromium-plated
Without opening, with feet.

BA 058 115

Heating element for baking stone and
Gastronorm roaster.

BA 058 133

Baking stone.
Incl. baking stone support and pizza
paddle (heating element must be
ordered separately).

Not in combination with pull-out system.

BS 020 002

Pizza paddle, set of 2.

GN 340 230

Gastronorm roaster in cast aluminium.
GN 2/3, height 165 mm, non-stick.

Double oven 400 series

BX 480/BX 481

- Pyrolytic system
- 17 heating methods with core temperature probe, rotisserie spit and baking stone function
- Core temperature probe with estimation of cooking time
- TFT touch display
- Electronic temperature control from 30 °C to 300 °C
- 2 x 110 litres net volume

Heating methods

Hot air.
Eco hot air.
Top + bottom heat.
Top + 1/3 bottom heat.
Top heat.
1/3 top + bottom heat.
Bottom heat.
Hot air + bottom heat.
Hot air + 1/3 bottom heat.
Full surface grill + circulated air.
Full surface grill.
Compact grill.
Baking stone function.
Roaster function.
Dough proofing.
Defrosting.
Keeping warm.

Handling

Rotary knob and TFT touch display operation.
Clear text display.
Information key with use indicators.
Side-opening door opens up to 180° angle.

Features

Three-point core temperature probe with automatic shut-off and estimation of cooking time.
Rotisserie spit (lower oven).
Baking stone socket.
Actual temperature display.
Rapid heating.
Timer functions: cooking time, cooking time end, timer, stopwatch, long-term timer (**certified by Star-K**).
60 W halogen light on the top.
10 W halogen light on the side.
Enamelled side shelf supports with 5 tray levels, pyrolysis-safe.

Safety

Thermally insulated door with quadruple glazing.
Child lock.
Safety shut-off.
Cooled housing with temperature protection.

Cleaning

Pyrolytic system.
Gaggenau enamel.
Heated catalyser to clean the oven air.

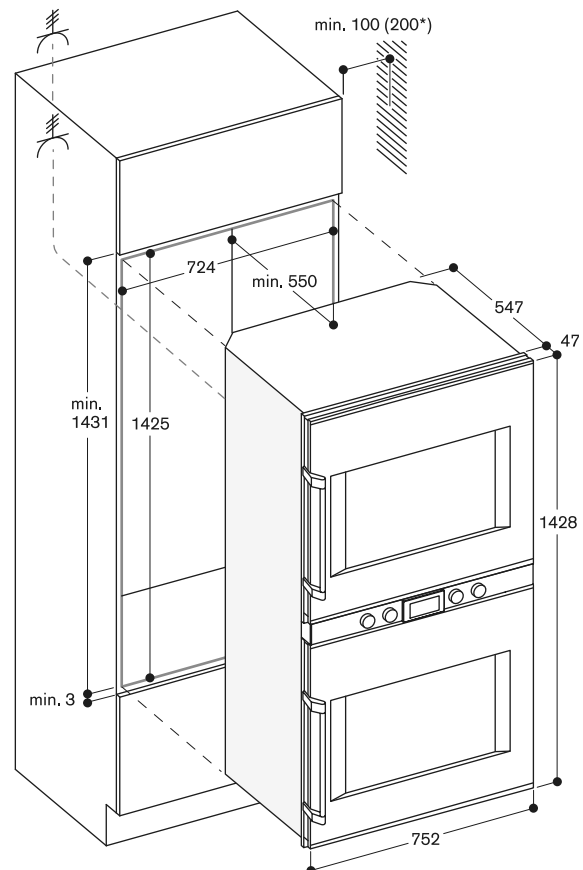
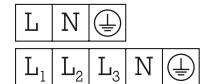
Planning notes

Door hinge not reversible.
The facade of the appliance extends 47 mm from the furniture cavity.
Consider the overhang when planning to open drawers next to the appliance.
When planning a corner solution, pay attention to the 90° door opening angle.
To achieve the 550 mm installation depth, the connection cable needs to follow the slanted edge on the lower right hand corner of the housing.
The mains socket needs to be planned outside the built-in niche.

Please read the installation details regarding oven combination on page 12 – 13.

Connection

Energy efficiency class A at a range of energy efficiency classes from A+++ to D.
Total connected load 9.2 kW.
Plan a connection cable.



* 200 mm in conjunction with BA 018



Controls at the top

Right-hinged

BO 480 112

Stainless steel-backed full glass door
Width 76 cm

Left-hinged

BO 481 112

Stainless steel-backed full glass door
Width 76 cm



Included in the price

- 1 baking tray, enamelled pyrolysis-safe
- 1 rotisserie spit
- 1 wire rack
- 1 grill tray with wire rack
- 1 plug-in core temperature probe

Special accessories

BA 018 105

Pull-out system
Fully extendable telescopic rails and enamelled cast iron frame.

BA 028 115

Baking tray, enamelled
30 mm deep.

BA 038 105

Wire rack, chromium-plated
Without opening, with feet.

BA 058 115

Heating element for baking stone and Gastronorm roaster.

BA 058 133

Baking stone.
Incl. baking stone support and pizza paddle (heating element must be ordered separately).

Not in combination with pull-out system.

BS 020 002

Pizza paddle, set of 2.

GN 340 230

Gastronorm roaster in cast aluminium.
GN 2/3, height 165 mm, non-stick.

Oven 400 series

BO 480/BO 481

- Handleless door / automatic door opening / door opening via voice assistant possible
- Pyrolytic system
- 17 heating methods with core temperature probe, rotisserie spit and baking stone function
- Automatic programmes
- Core temperature probe with estimation of cooking time
- TFT touch display
- Panel-free appliance with surface control module
- Electronic temperature control from 30 °C to 300 °C
- Net volume 110 litres

Heating methods

Hot air.
Eco hot air.
Top + bottom heat.
Top + 1/3 bottom heat.
Top heat.
1/3 top + bottom heat.
Bottom heat.
Hot air + bottom heat.
Hot air + 1/3 bottom heat.
Full surface grill + circulated air.
Full surface grill.
Compact grill.
Baking stone function.
Roaster function.
Dough proofing.
Defrosting.
Keeping warm.

Handling

Automatic door opening.
Rotary knob and TFT touch display operation.
Clear text display.
Option to save individual recipes (incl. core temperature probe).
Personalisation of automatic programmes.
Information key with use indicators.
Side-opening door opens up to 180° angle.

Features

Three-point core temperature probe with automatic shut-off and estimation of cooking time.
Automatic programmes.
Rotisserie spit.
Baking stone socket.
Actual temperature display.
Rapid heating.
Timer functions: cooking time, cooking time end, timer, stopwatch, long-term timer (certified by Star-K).
60 W halogen light on the top.
2x 10 W halogen light on the side.
Enamelled side shelf supports with 5 tray levels, pyrolysis-safe.

Home network integration for digital services (Home Connect) either via cable connection LAN (recommended) or wireless via WiFi.
The use of the Home Connect functionality depends on the Home Connect services, which are not available in every country. For further information please check: home-connect.com.

Please read additional information on Home Connect on page 345.

Safety

Thermally insulated door with quadruple glazing.
Child lock.
Safety shut-off.
Cooled housing with temperature protection.

Cleaning

Pyrolytic system.
Gaggenau enamel.
Heated catalyser to clean the oven air.

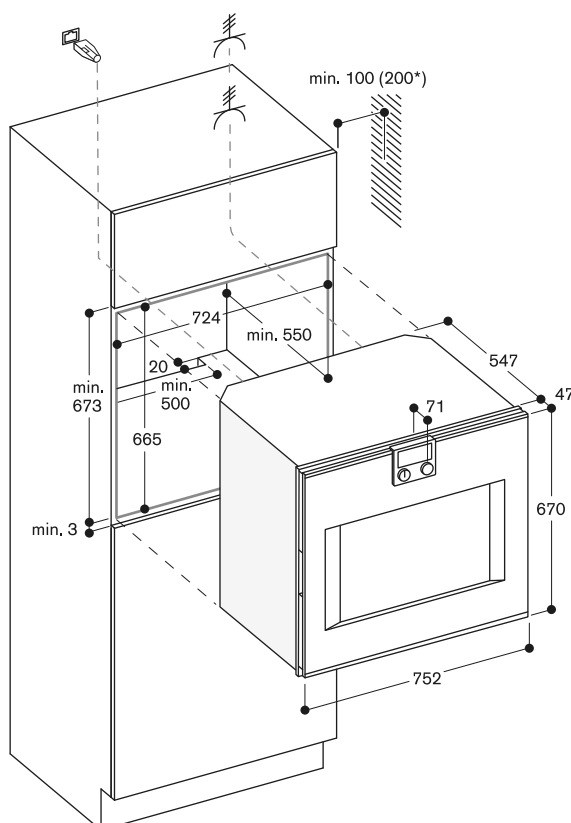
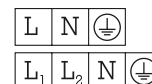
Planning notes

Door hinge not reversible.
The facade of the appliance extends 47 mm from the furniture cavity.
Consider the overhang when planning to open drawers next to the appliance.
When planning a corner solution, pay attention to the 90° door opening angle.
To achieve the 550 mm installation depth, the connection cable needs to follow the slanted edge on the lower right hand corner of the housing.
The mains socket needs to be planned outside the built-in niche.
The LAN port can be found at the back on the upper right side.

Please read the installation details regarding oven combination on page 12 – 13.

Connection

Energy efficiency class A at a range of energy efficiency classes from A+++ to D.
Total connected load 5.5 kW.
Plan a connection cable.
Plan a LAN cable.



* 200 mm in conjunction with BA 018



Controls at the top

Right-hinged

BO 470 112

Stainless steel-backed full glass door

Width 60 cm

BO 470 102

Full glass door in Gaggenau Anthracite

Width 60 cm

Left-hinged

BO 471 112

Stainless steel-backed full glass door

Width 60 cm

BO 471 102

Full glass door in Gaggenau Anthracite

Width 60 cm



Included in the price

- 2 baking trays, enamelled pyrolysis-safe
- 1 rotisserie spit
- 1 glass tray
- 1 wire rack
- 1 grill tray with wire rack
- 1 plug-in core temperature probe

Special accessories

BA 016 105

Pull-out system

Fully extendable telescopic rails and enamelled cast iron frame.

BA 026 105

Grill tray, enamelled
30 mm deep.

BA 026 115

Baking tray, enamelled
15 mm deep.

BA 036 105

Wire rack, chromium-plated
Without opening, with feet.

BA 046 117

Glass tray
24 mm deep.

BA 056 115

Heating element for baking stone and
Gastronorm roaster.

BA 056 133

Baking stone.
Incl. baking stone support and pizza
paddle (heating element must be
ordered separately).

Not in combination with pull-out system.

BS 020 002

Pizza paddle, set of 2.

GN 340 230

Gastronorm roaster in cast aluminium.
GN2/3, height 165 mm, non-stick.

Oven 400 series

BO 470/BO 471

- Handleless door / automatic door opening / door opening via voice assistant possible
- Pyrolytic system
- 17 heating methods with core temperature probe, rotisserie spit and baking stone function
- Automatic programmes
- Core temperature probe with estimation of cooking time
- TFT touch display
- Panel-free appliance with surface control module
- Electronic temperature control from 30 °C to 300 °C
- Net volume 76 litres

Heating methods

Hot air.

Eco hot air.

Top + bottom heat.

Top + 1/3 bottom heat.

Top heat.

1/3 top + bottom heat.

Bottom heat.

Hot air + bottom heat.

Hot air + 1/3 bottom heat.

Full surface grill + circulated air.

Full surface grill.

Compact grill.

Baking stone function.

Roaster function.

Dough proofing.

Defrosting.

Keeping warm.

Handling

Automatic door opening.

Rotary knob and TFT touch display operation.

Clear text display.

Option to save individual recipes

(incl. core temperature probe).

Personalisation of automatic programmes.

Information key with use indicators.

Side-opening door opens up to
180° angle.

Features

Three-point core temperature probe with automatic shut-off and estimation of cooking time.

Automatic programmes.

Rotisserie spit.

Baking stone socket.

Actual temperature display.

Rapid heating.

Timer functions: cooking time, cooking time end, timer, stopwatch, long-term timer (**certified by Star-K**).

60 W halogen light on the top.

2 x 10 W halogen light on the side.

Enamelled side shelf supports with
4 tray levels, pyrolysis-safe.

Home network integration for digital services (Home Connect) either via cable connection LAN (recommended) or wireless via WiFi.

The use of the Home Connect functionality depends on the Home Connect services, which are not available in every country. For further information please check: home-connect.com.

Please read additional information on Home Connect on page 345.

Safety

Thermally insulated door with quadruple glazing.

Child lock.

Safety shut-off.

Cooled housing with temperature protection.

Cleaning

Pyrolytic system.

Gaggenau enamel.

Heated catalyser to clean the oven air.

Planning notes

Door hinge not reversible.

The facade of the appliance extends 47 mm from the furniture cavity.

Consider the overhang when planning to open drawers next to the appliance.

When planning a corner solution, pay attention to the 90° door opening angle.

To achieve the 550 mm installation depth, the connection cable needs to follow the slanted edge on the lower right hand corner of the housing.

The mains socket needs to be planned outside the built-in niche.

The LAN port can be found at the back on the upper right side.

Please read the installation details regarding oven combination on page 12 – 13.

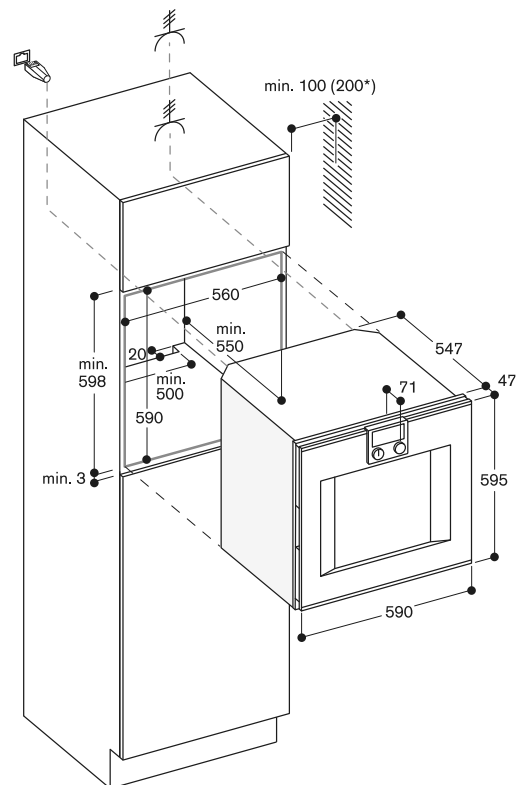
Connection

Energy efficiency class A at a range of energy efficiency classes from A+++ to D.

Total connected load 3.7 kW.

Plan a connection cable.

Plan a LAN cable.



* 200 mm in conjunction with BA 016



Controls at the top

Right-hinged

BO 450 112

Stainless steel-backed full glass door
Width 60 cm

Left-hinged

BO 451 112

Stainless steel-backed full glass door
Width 60 cm



Included in the price

- 1 baking tray, enamelled pyrolysis-safe
- 1 glass tray
- 1 wire rack
- 1 plug-in core temperature probe

Special accessories

BA 016 105

Pull-out system
Fully extendable telescopic rails and enamelled cast iron frame.

BA 026 115

Baking tray, enamelled
15 mm deep.

BA 036 105

Wire rack, chromium-plated
Without opening, with feet.

BA 046 117

Glass tray
24 mm deep.

BA 056 115

Heating element for baking stone and Gastronorm roaster.

BA 056 133

Baking stone.
Incl. baking stone support and pizza paddle (heating element must be ordered separately).
Not in combination with pull-out system.

BA 226 105

Grill tray, enamelled
30 mm deep.

BS 020 002

Pizza paddle, set of 2.

GN 340 230

Gastronorm roaster in cast aluminium.
GN 2/3, height 165 mm, non-stick.

Oven 400 series

BO 450/BO 451

- Handleless door / automatic door opening / door opening via voice assistant possible
- Pyrolytic system
- 13 heating methods with core temperature probe and baking stone function
- Automatic programmes
- Core temperature probe with estimation of cooking time
- TFT touch display
- Panel-free appliance with surface control module
- Electronic temperature control from 30 °C to 300 °C
- Net volume 76 litres

Heating methods

Hot air.
Eco hot air.
Top + bottom heat.
Top heat.
Bottom heat.
Hot air + bottom heat.
Full surface grill + circulated air.
Full surface grill.
Compact grill.
Baking stone function.
Roaster function.
Dough proofing.
Defrosting.

Handling

Automatic door opening.
Rotary knob and TFT touch display operation.
Clear text display.
Option to save individual recipes (incl. core temperature probe).
Personalisation of automatic programmes.
Information key with use indicators.
Side-opening door opens up to 180° angle.

Features

Three-point core temperature probe with automatic shut-off and estimation of cooking time.
Automatic programmes.
Baking stone socket.
Actual temperature display.
Rapid heating.
Timer functions: cooking time, cooking time end, timer, stopwatch, long-term timer (certified by Star-K).
60 W halogen light on the top.
10 W halogen light on the side.
Enamelled side shelf supports with 4 tray levels, pyrolysis-safe.

Home network integration for digital services (Home Connect) either via cable connection LAN (recommended) or wireless via WiFi.
The use of the Home Connect functionality depends on the Home Connect services, which are not available in every country. For further information please check: home-connect.com.

Please read additional information on Home Connect on page 345.

Safety

Thermally insulated door with quadruple glazing.
Child lock.
Safety shut-off.
Cooled housing with temperature protection.

Cleaning

Pyrolytic system.
Gaggenau enamel.
Heated catalyser to clean the oven air.

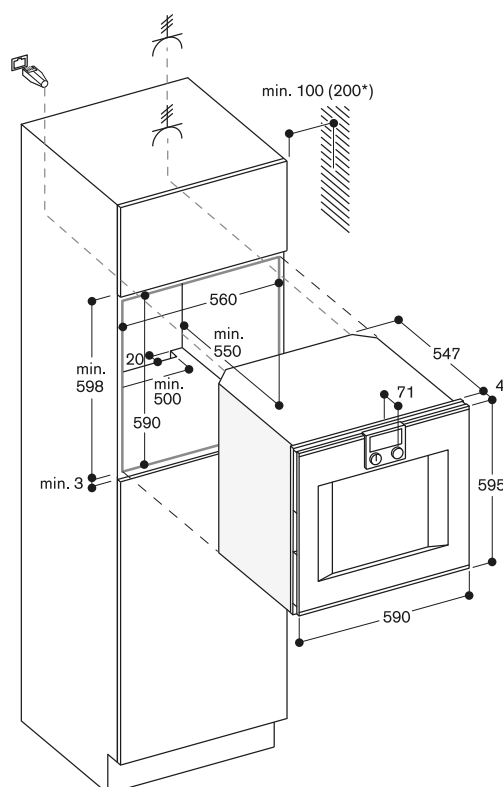
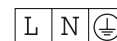
Planning notes

Door hinge not reversible.
The facade of the appliance extends 47 mm from the furniture cavity.
Consider the overhang when planning to open drawers next to the appliance.
When planning a corner solution, pay attention to the 90° door opening angle.
To achieve the 550 mm installation depth, the connection cable needs to follow the slanted edge on the lower right hand corner of the housing.
The mains socket needs to be planned outside the built-in niche.
The LAN port can be found at the back on the upper right side.

Please read the installation details regarding oven combination on page 12 – 13.

Connection

Energy efficiency class A at a range of energy efficiency classes from A+++ to D.
Total connected load 3.7 kW.
Plan a connection cable.
Plan a LAN cable.



* 200 mm in conjunction with BA 016



Controls at the top

Right-hinged

BO 420 112

Stainless steel-backed full glass door
Width 60 cm

BO 420 102

Full glass door in Gaggenau Anthracite
Width 60 cm

Left-hinged

BO 421 112

Stainless steel-backed full glass door
Width 60 cm

BO 421 102

Full glass door in Gaggenau Anthracite
Width 60 cm



Included in the price

- 1 baking tray, enamelled pyrolysis-safe
- 1 glass tray
- 1 wire rack

Special accessories

BA 016 105

Pull-out system
Fully extendable telescopic rails and enamelled cast iron frame.

BA 026 115

Baking tray, enamelled
15 mm deep.

BA 036 105

Wire rack, chromium-plated
Without opening, with feet.

BA 046 117

Glass tray
24 mm deep.

BA 056 115

Heating element for baking stone and
Gastronorm roaster.

BA 056 133

Baking stone.
Incl. baking stone support and pizza
paddle (heating element must be
ordered separately).
Not in combination with pull-out system.

BA 226 105

Grill tray, enamelled
30 mm deep.

BS 020 002

Pizza paddle, set of 2.

GN 340 230

Gastronorm roaster in cast aluminium.
GN2/3, height 165 mm, non-stick.

Oven 400 series

BO 420/BO 421

- Handleless door / automatic door opening
- Pyrolytic system
- 9 heating methods, with baking stone function
- TFT touch display
- Panel-free appliance with surface control module
- Electronic temperature control from 50 °C to 300 °C
- Net volume 76 litres

Heating methods

Hot air.
Eco hot air.
Top + bottom heat.
Top heat.
Bottom heat.
Hot air + bottom heat.
Full surface grill + circulated air.
Full surface grill.
Baking stone function.

Handling

Automatic door opening.
Rotary knob and TFT touch display operation.
Clear text display.
Option to save individual recipes.
Information key with use indicators.
Side-opening door opens up to 180° angle.

Features

Baking stone socket.
Actual temperature display.
Rapid heating.
Timer functions: cooking time, cooking time end, timer, stopwatch, long-term timer (**certified by Star-K**).
60 W halogen light on the top.
Enamelled side shelf supports with 4 tray levels, pyrolysis-safe.

Home network integration for digital services (Home Connect) either via cable connection LAN (recommended) or wireless via WiFi.

The use of the Home Connect functionality depends on the Home Connect services, which are not available in every country. For further information please check: home-connect.com.

Please read additional information on Home Connect on page 345.

Safety

Thermally insulated door with quadruple glazing.
Child lock.
Safety shut-off.
Cooled housing with temperature protection.

Cleaning

Pyrolytic system.
Gaggenau enamel.
Heated catalyser to clean the oven air.

Planning notes

Door hinge not reversible.
The façade of the appliance extends 47 mm from the furniture cavity. Consider the overhang, incl. the door handle where applicable, when planning to open drawers next to the appliance.
When planning a corner solution, pay attention to the 90° door opening angle. To achieve the 550 mm installation depth, the connection cable needs to follow the slanted edge on the lower right hand corner of the housing. The mains socket needs to be planned outside the built-in niche. The LAN port can be found at the back on the upper right side.

Please read the installation details regarding oven combination on page 12 – 13.

Connection

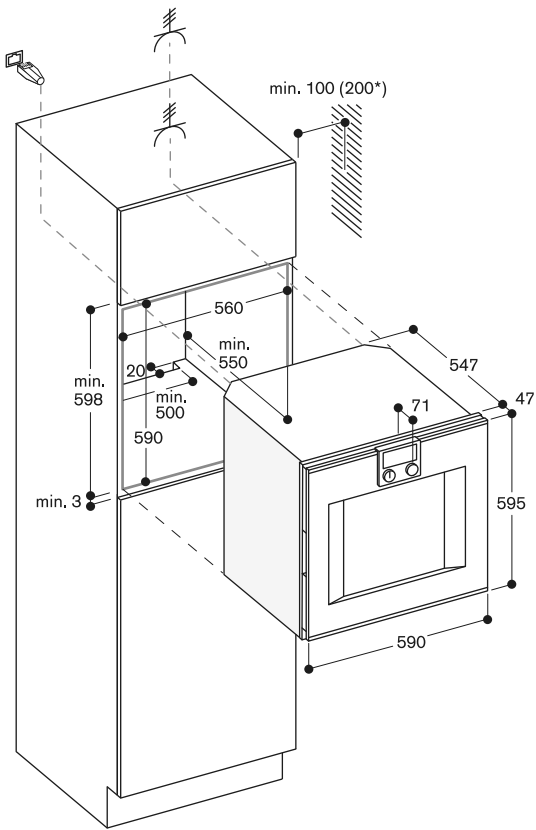
Energy efficiency class A at a range of energy efficiency classes from A+++ to D.

Total connected load 3.7 kW.

Plan a connection cable.

Plan a LAN cable.





* 200 mm in conjunction with BA 016



Controls at the bottom

Right-hinged

BS 484 112

Stainless steel-backed full glass door
Width 76 cm

Left-hinged

BS 485 112

Stainless steel-backed full glass door
Width 76 cm



Included in the price

- 1 cooking container, stainless steel, perforated
- 1 cooking container, stainless steel, unperforated
- 1 wire rack
- 1 plug-in core temperature probe
- 1 outlet hose (3 m long)
- 1 water inlet hose (3 m long)
- 4 cleaning cartridges

Installation accessories

GF 111 100

Water descaling system

GF 121 110

Filter cartridge

GZ 010 011

Extension for water inlet and outlet
(2 m long)

Special accessories

BA 010 301

Triple telescopic pull-out rack
For combi-steam oven.

BA 020 361

Cooking container, stainless steel, unperforated, 46 mm deep, 5.4 l.

BA 020 370

Cooking container, stainless steel, perforated, 40 mm deep, 5 l.

BA 020 381

Cooking container, non-stick, unperforated, 46 mm deep, 5.4 l.

BA 020 390

Cooking container, non-stick, perforated, 40 mm deep, 5 l.

BA 046 117

Glass tray
24 mm deep.

CL S10 040

Cleaning cartridges, set of 4
For combi-steam ovens.

GN 010 330

Adapter for gastronorm insert and roaster.

GN 114 130

Gastronorm insert, stainless steel, GN 1/3
Unperforated, 40 mm deep, 1.5 l.

GN 114 230

Gastronorm insert, stainless steel, GN 2/3
Unperforated, 40 mm deep, 3 l.

GN 124 130

Gastronorm insert, stainless steel, GN 1/3
Perforated, 40 mm deep, 1.5 l.

Combi-steam oven 400 series

BS 484/BS 485

- Handleless door / automatic door opening / door opening via voice assistant possible
- Fixed inlet and outlet water connection
- Cleaning system, fully automatic
- Large cavity
- 2 LED light sources
- External steam generation
- Steaming without pressure
- Hot air 30 °C to 230 °C can be combined with chosen humidity level of 0%, 30%, 60%, 80% or 100%
- Sous-vide cooking with accurate temperature regulation
- Full surface grill behind glass ceramic, combinable with circulated air up to 230 °C and steam
- Automatic programmes
- Core temperature probe with estimation of cooking time
- Hot air fan rotates in both directions for ideal heat distribution
- TFT touch display
- Panel-free appliance with surface control module
- Electronic temperature control from 30 °C bis 230 °C
- Net volume 50 litres

Heating methods

Hot air + 100 % humidity.

Hot air + 80 % humidity.

Hot air + 60 % humidity.

Hot air + 30 % humidity.

Hot air + 0 % humidity.

Low temperature cooking.

Sous-vide cooking.

Full surface grill level 1 + humidity.

Full surface grill level 2 + humidity.

Full surface grill + circulated air.

Dough proofing.

Defrosting.

Regenerating.

Handling

Automatic door opening.

Rotary knob and TFT touch display operation.

Clear text display.

Option to save individual recipes (incl. core temperature probe).

Personalisation of automatic programmes.

Information key with use indicators.

Side-opening door opens up to 180° angle.

Features

Full surface grill 2 kW behind glass ceramic.

Steam removal.

Misting.

Three-point core temperature probe with automatic shut-off and estimation of cooking time.

Automatic programmes.

Actual temperature display.

Timer functions: cooking time, cooking time end, timer, stopwatch, long-term timer (**certified by Star-K**).

Automatic boiling point detection.

Capacity display for filter cartridge (if connected to GF 111 100 descaling system).

2 x LED light on the side.

Hygienic stainless steel cooking interior.

3 tray levels.

GN 124 230

Gastronorm insert, stainless steel, GN 2/3

Perforated, 40 mm deep, 3 l.

GN 340 230

Gastronorm roaster in cast aluminium.

GN 2/3, height 165 mm, non-stick.

Home network integration for digital services (Home Connect) either via cable connection LAN (recommended) or wireless via WiFi.

The use of the Home Connect functionality depends on the Home Connect services, which are not available in every country. For further information please check: home-connect.com.

Please read additional information on Home Connect on page 345.

Safety

Child lock.

Safety shut-off.

Cooled housing with temperature protection.

Cleaning

Cleaning programme, fully automatic.

Descaling programme for the steam generator.

Drying programme.

Automatic drying of the cavity at the end of the cooking process.

Strainer filter, removable.

Demo cleaning programme.

Planning notes

Door hinge not reversible.

No other electrical appliances should be installed above the BS.

At no point may the outlet hose be positioned higher than the bottom edge of the appliance. The outlet hose must also be at least 100 mm lower than the appliance outlet (see drawing "drainage connection").

Inlet hose can be extended once.

The outlet hose must not be longer than a maximum of 5 m.

The water connection (1) for the inlet hose must always be accessible and not located directly behind the appliance.

The connection of the outlet hose to the siphon (2) must not be directly behind the appliance and should be accessible.

The descaling system GF 111 100 (3) may be installed when connecting the appliance if the water hardness exceeds 7° dH.

The facade of the appliance extends 47 mm from the furniture cavity.

Consider the overhang when planning to open drawers next to the appliance.

When planning a corner solution, pay attention to the 90° door opening angle.

The mains socket needs to be planned outside the built-in niche.

Special accessories (order as spare parts):

Part No. 17002490 Descaling tablets

Please read the installation details regarding oven combination on page 12 – 13.

Connection

Energy efficiency class A at a range of energy efficiency classes from A+++ to D.

Total connected load 3.15 kW.

Connecting cable 1.8 m with plug.

Plan a LAN cable.

Inlet hose 3,0 m with connection pipe thread ISO228-G 3/4" (Ø 26,4 mm) extendable.

Outlet hose (Ø 25 mm) 3,0 m (HT-Hose).



*Energy efficiency class: at a range of energy efficiency classes from A+++ to D.



Controls at the top

Right-hinged

BS 470 112

Stainless steel-backed full glass door
Width 60 cm

BS 470 102

Full glass door in Gaggenau Anthracite
Width 60 cm

Left-hinged

BS 471 112

Stainless steel-backed full glass door
Width 60 cm

BS 471 102

Full glass door in Gaggenau Anthracite
Width 60 cm

Controls at the bottom

Right-hinged

BS 474 112

Stainless steel-backed full glass door
Width 60 cm

BS 474 102

Full glass door in Gaggenau Anthracite
Width 60 cm

Left-hinged

BS 475 112

Stainless steel-backed full glass door
Width 60 cm

BS 475 102

Full glass door in Gaggenau Anthracite
Width 60 cm



Included in the price

- 1 cooking container, stainless steel, perforated
- 1 cooking container, stainless steel, unperforated
- 1 wire rack
- 1 plug-in core temperature probe
- 1 outlet hose (3 m long)
- 1 water inlet hose (3 m long)
- 4 cleaning cartridges

Installation accessories

GF 111 100

Water descaling system

GF 121 110

Filter cartridge

GZ 010 011

Extension for water inlet and outlet
(2 m long)

Special accessories

BA 010 301

Triple telescopic pull-out rack
For combi-steam oven.

BA 020 361

Cooking container, stainless steel, unperforated, 46 mm deep, 5.4 l.

BA 020 370

Cooking container, stainless steel, perforated, 40 mm deep, 5 l.

BA 020 381

Cooking container, non-stick, unperforated, 46 mm deep, 5.4 l.

Combi-steam oven 400 series

BS 470/BS 471/BS 474/BS 475

- Handleless door / automatic door opening / door opening via voice assistant possible
- Fixed inlet and outlet water connection
- Cleaning system, fully automatic
- Large cavity
- 2 LED light sources
- External steam generation
- Steaming without pressure
- Hot air 30 °C to 230 °C can be combined with chosen humidity level of 0%, 30%, 60%, 80% or 100%
- Sous-vide cooking with accurate temperature regulation
- Full surface grill behind glass ceramic, combinable with circulated air up to 230 °C and steam
- Automatic programmes
- Core temperature probe with estimation of cooking time
- Hot air fan rotates in both directions for ideal heat distribution
- TFT touch display
- Panel-free appliance with surface control module
- Electronic temperature control from 30 °C bis 230 °C
- Net volume 50 litres

Heating methods

Hot air + 100 % humidity.

Hot air + 80 % humidity.

Hot air + 60 % humidity.

Hot air + 30 % humidity.

Hot air + 0 % humidity.

Low temperature cooking.

Sous-vide cooking.

Full surface grill level 1 + humidity.

Full surface grill level 2 + humidity.

Full surface grill + circulated air.

Dough proofing.

Defrosting.

Regenerating.

Handling

Automatic door opening.

Rotary knob and TFT touch display operation.

Clear text display.

Option to save individual recipes (incl. core temperature probe).

Personalisation of automatic programmes.

Information key with use indicators.

Side-opening door opens up to 180° angle.

Features

Full surface grill 2 kW behind glass ceramic.

Steam removal.

Misting.

Three-point core temperature probe with automatic shut-off and estimation of cooking time.

Automatic programmes.

Actual temperature display.

Timer functions: cooking time, cooking time end, timer, stopwatch, long-term timer (certified by Star-K).

Automatic boiling point detection.

Capacity display for filter cartridge (if connected to GF 111 100 descaling system).

2 x LED light on the side.

Hygienic stainless steel cooking interior.

3 tray levels.

BA 020 390

Cooking container, non-stick, perforated, 40 mm deep, 5 l.

BA 046 117

Glass tray

24 mm deep.

CL S10 040

Cleaning cartridges, set of 4
For combi-steam ovens.

GN 010 330

Adapter for gastronorm insert and roaster.

GN 114 130

Gastronorm insert, stainless steel, GN 1/3

Unperforated, 40 mm deep, 1.5 l.

GN 114 230

Gastronorm insert, stainless steel, GN 2/3

Unperforated, 40 mm deep, 3 l.

GN 124 130

Gastronorm insert, stainless steel, GN 1/3

Perforated, 40 mm deep, 1.5 l.

GN 124 230

Gastronorm insert, stainless steel, GN 2/3

Perforated, 40 mm deep, 3 l.

GN 340 230

Gastronorm roaster in cast aluminium. GN 2/3, height 165 mm, non-stick.

Home network integration for digital services (Home Connect) either via cable connection LAN (recommended) or wireless via WiFi.

The use of the Home Connect functionality depends on the Home Connect services, which are not available in every country. For further information please check: home-connect.com.

Please read additional information on Home Connect on page 345.

Safety

Child lock.

Safety shut-off.

Cooled housing with temperature protection.

Cleaning

Cleaning programme, fully automatic. Descaling programme for the steam generator.

Drying programme.

Automatic drying of the cavity at the end of the cooking process.

Strainer filter, removable.

Demo cleaning programme.

Planning notes

Door hinge not reversible.

No other electrical appliances should be installed above the BS.

At no point may the outlet hose be positioned higher than the bottom edge of the appliance. The outlet hose must also be at least 100 mm lower than the appliance outlet (see drawing "drainage connection").

Inlet hose can be extended once.

The outlet hose must not be longer than a maximum of 5 m.

The water connection (1) for the inlet hose must always be accessible and not located directly behind the appliance.

The connection of the outlet hose to the siphon (2) must not be directly behind the appliance and should be accessible.

The descaling system GF 111 100 (3) may be installed when connecting the appliance if the water hardness exceeds 7° dH.

The facade of the appliance extends 47 mm from the furniture cavity.

Consider the overhang when planning to open drawers next to the appliance. When planning a corner solution, pay attention to the 90° door opening angle. The mains socket needs to be planned outside the built-in niche.

Special accessories (order as spare parts):

Part No. 17002490 Descaling tablets

Please read the installation details regarding oven combination on page 12 – 13.

Connection

Energy efficiency class A at a range of energy efficiency classes from A+++ to D.

Total connected load 3.15 kW.

Connecting cable 1.8 m with plug.

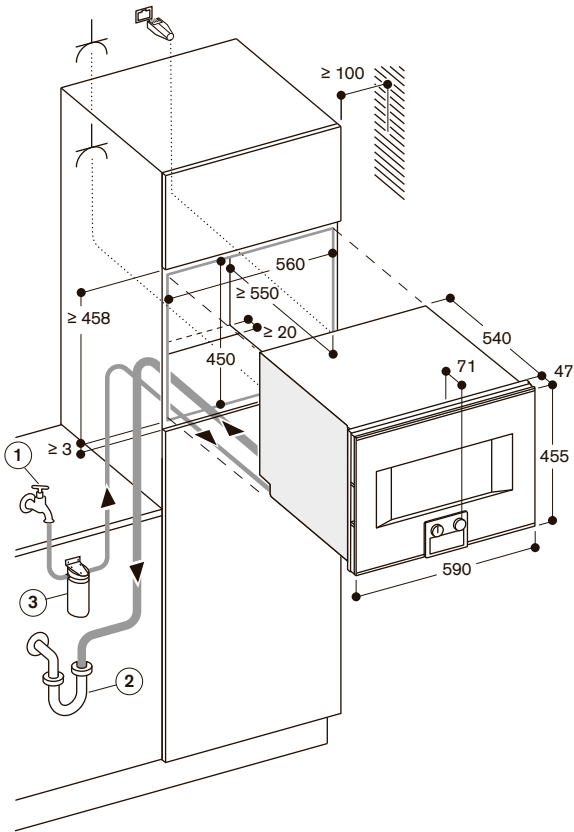
Plan a LAN cable.

Inlet hose 3 m with connection pipe thread ISO228-G 3/4" (Ø 26,4 mm) extendable.

Outlet hose (Ø 25 mm) 3,0 m (HT-Hose).



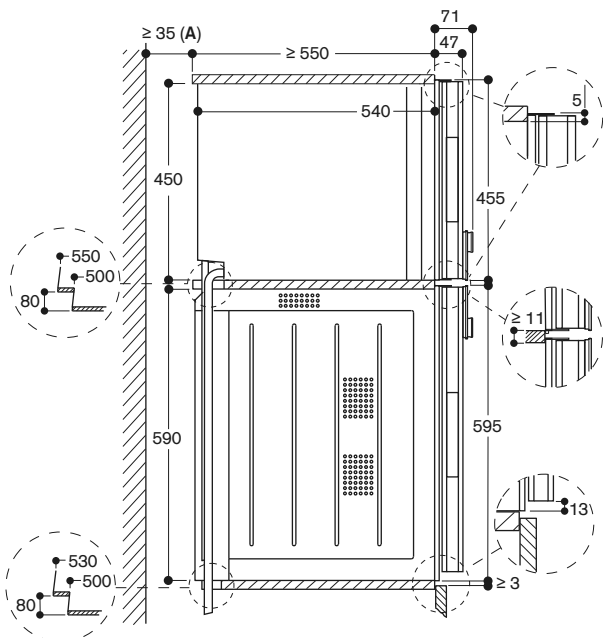
*Energy efficiency class: at a range of energy efficiency classes from A+++ to D.



Socket

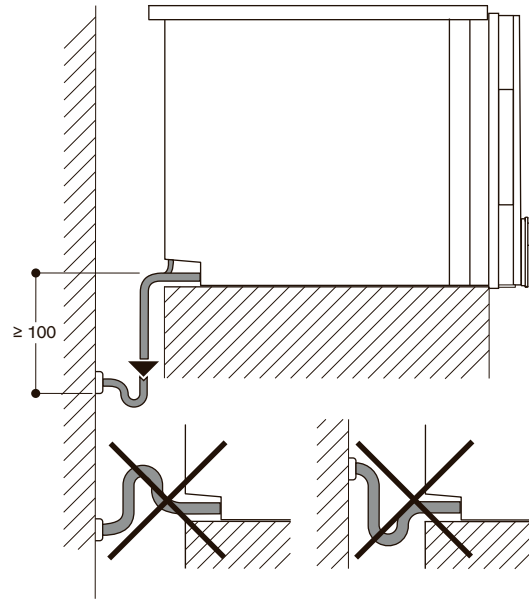
measurements in mm

Side view of BS 474/475 above BO



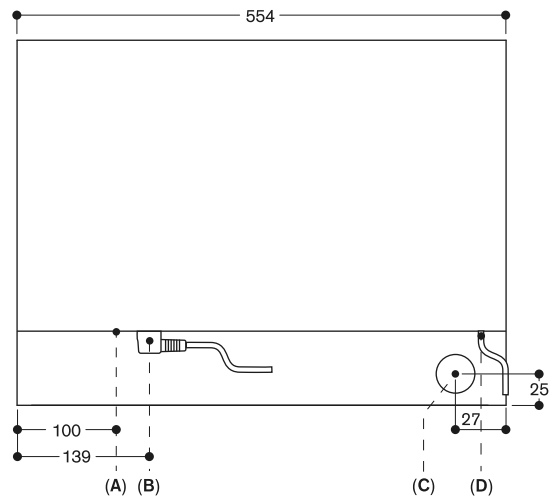
A: Only required if the water hoses for the BS steam oven cannot be accommodated in the corner recesses of the appliances.

measurements in mm



measurements in mm

View from rear



- A: LAN connection
- B: Electric terminal box
- C: Water outlet
- D: Cold water inlet

measurements in mm



Controls at the top

Right-hinged

BS 450 111

Stainless steel-backed full glass door
Width 60 cm

BS 450 101

Full glass door in Gaggenau Anthracite
Width 60 cm

Left-hinged

BS 451 111

Stainless steel-backed full glass door
Width 60 cm

BS 451 101

Full glass door in Gaggenau Anthracite
Width 60 cm

Controls at the bottom

Right-hinged

BS 454 111

Stainless steel-backed full glass door
Width 60 cm

BS 454 101

Full glass door in Gaggenau Anthracite
Width 60 cm

Left-hinged

BS 455 111

Stainless steel-backed full glass door
Width 60 cm

BS 455 101

Full glass door in Gaggenau Anthracite
Width 60 cm



Included in the price

- 1 cooking container, stainless steel, perforated
- 1 cooking container, stainless steel, unperforated
- 1 wire rack
- 1 plug-in core temperature probe
- 4 cleaning cartridges

Special accessories

BA 010 301

Triple telescopic pull-out rack
For combi-steam oven.

BA 020 361

Cooking container, stainless steel, unperforated, 46 mm deep, 5.4 l.

BA 020 370

Cooking container, stainless steel, perforated, 40 mm deep, 5 l.

BA 020 381

Cooking container, non-stick, unperforated, 46 mm deep, 5.4 l.

BA 020 390

Cooking container, non-stick, perforated, 40 mm deep, 5 l.

BA 046 117

Glass tray
24 mm deep.

CL S10 040

Cleaning cartridges, set of 4
For combi-steam ovens.

Combi-steam oven 400 series

BS 450/BS 451/BS 454/BS 455

- Handleless door / automatic door opening / door opening via voice assistant possible
- Water tank for fresh and waste water
- Cleaning system, fully automatic
- Large cavity
- 2 LED light sources
- External steam generation
- Steaming without pressure
- Hot air 30 °C to 230 °C can be combined with chosen humidity level of 0%, 30%, 60%, 80% or 100%
- Sous-vide cooking with accurate temperature regulation
- Full surface grill behind glass ceramic, combinable with circulated air up to 230 °C and steam
- Automatic programmes
- Core temperature probe with estimation of cooking time
- Hot air fan rotates in both directions for ideal heat distribution
- TFT touch display
- Panel-free appliance with surface control module
- Electronic temperature control from 30 °C bis 230 °C
- Net volume 50 litres

Heating methods

Hot air + 100 % humidity.

Hot air + 80 % humidity.

Hot air + 60 % humidity.

Hot air + 30 % humidity.

Hot air + 0 % humidity.

Low temperature cooking.

Sous-vide cooking.

Full surface grill level 1 + humidity.

Full surface grill level 2 + humidity.

Full surface grill + circulated air.

Dough proofing.

Defrosting.

Regenerating.

Handling

Automatic door opening.

Rotary knob and TFT touch display operation.

Clear text display.

Option to save individual recipes

(incl. core temperature probe).

Personalisation of automatic programmes.

Information key with use indicators.

Side-opening door opens up to

180° angle.

Features

Full surface grill 2 kW behind glass ceramic.

2 removable 1.7 litre water tanks.

Misting.

Water level warning.

Three-point core temperature probe with automatic shut-off and estimation of cooking time.

Automatic programmes.

Actual temperature display.

Timer functions: cooking time, cooking time end, timer, stopwatch, long-term timer (certified by Star-K).

Automatic boiling point detection.

2 x LED light on the side.

Hygienic stainless steel cooking interior.

3 tray levels.

GN 010 330

Adapter for gastronorm insert and roaster.

GN 114 130

Gastronorm insert, stainless steel, GN 1/3

Unperforated, 40 mm deep, 1.5 l.

GN 114 230

Gastronorm insert, stainless steel, GN 2/3

Unperforated, 40 mm deep, 3 l.

GN 124 130

Gastronorm insert, stainless steel, GN 1/3

Perforated, 40 mm deep, 1.5 l.

GN 124 230

Gastronorm insert, stainless steel, GN 2/3

Perforated, 40 mm deep, 3 l.

GN 340 230

Gastronorm roaster in cast aluminium.

GN 2/3, height 165 mm, non-stick.

Home network integration for digital services (Home Connect) either via cable connection LAN (recommended) or wireless via WiFi.

The use of the Home Connect functionality depends on the Home Connect services, which are not available in every country. For further information please check: home-connect.com.

Please read additional information on Home Connect on page 345.

Safety

Child lock.

Safety shut-off.

Cooled housing with temperature protection.

Cleaning

Cleaning programme, fully automatic. Descaling programme for the steam generator.

Drying programme.

Automatic drying of the cavity at the end of the cooking process.

Strainer filter, removable.

Water tank, dishwasher-safe.

Demo cleaning programme.

Planning notes

Door hinge not reversible.

No other electrical appliances should be installed above the BS.

The facade of the appliance extends 47 mm from the furniture cavity.

Consider the overhang when planning to open drawers next to the appliance.

When planning a corner solution, pay attention to the 90° door opening angle.

The mains socket needs to be planned outside the built-in niche.

The LAN port can be found at the back on the lower left side.

Special accessories (order as spare parts):

Part No. 17002490 Descaling tablets

Please read the installation details regarding oven combination on page 12 – 13.

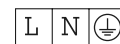
Connection

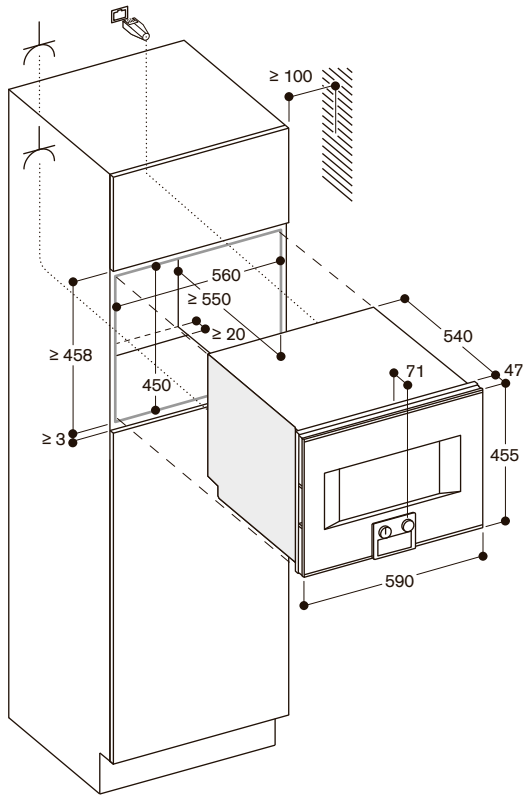
Energy efficiency class A at a range of energy efficiency classes from A+++ to D.

Total connected load 3.15 kW.

Connecting cable 1.8 m with plug.

Plan a LAN cable.

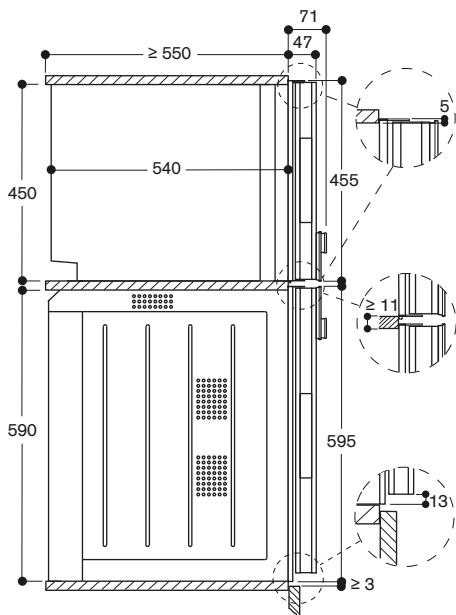




Socket

measurements in mm

Side view of BS 454/455 above BO



measurements in mm



Controls at the bottom

Right-hinged

BM 484 110

Stainless steel-backed full glass door
Width 76 cm

Left-hinged

BM 485 110

Stainless steel-backed full glass door
Width 76 cm

Included in the price

- 1 combination wire rack
- 1 glass tub

Combi-microwave oven 400 series
BM 484/BM 485

- Handleless door / automatic door opening
- Single operation and combination of microwave, grill and oven
- Sequential operation of up to 5 modes incl. programming of combined operation and rest time
- TFT touch display
- Panel-free appliance with surface control module
- Electronic temperature control
- Interior volume 36 litres

Programmes

Microwave operation with 5 output levels: 1000, 600, 360, 180, 90 W.
Oven operation with 4 heating methods: Hot air 40 °C and from 100 °C to 250 °C, Full surface grill + hot air from 100 °C to 250 °C, Full surface grill + circulated air from 100 °C to 250 °C, Full surface grill with 3 levels of intensity, maximum output 2000 W. Heating methods with microwave output levels 600, 360, 180 and 90 W freely combinable.
15 automatic programmes with weight indication, customisable:
4 defrosting programmes
4 cooking programmes
7 combination programmes
Option to save individual recipes.

Handling

Automatic door opening.
Rotary knob and TFT touch display operation.
Clear text display.
Information key with use indicators.
Side-opening door opens up to 180° angle.

Features

Innowave.
Rapid heating.
4 tray levels.
Actual temperature display.
60 W halogen light on the side.
Timer functions: cooking time, cooking time end, timer, stopwatch, long-term timer (**certified by Star-K**).

Safety

Thermally insulated door with triple glazing.
Triple door lock.
Child lock.
Safety shut-off.
Cooled housing with temperature protection.

Cleaning

Hygienic stainless steel interior with glass ceramic base.
Interior back wall with catalytic coating.

Planning notes

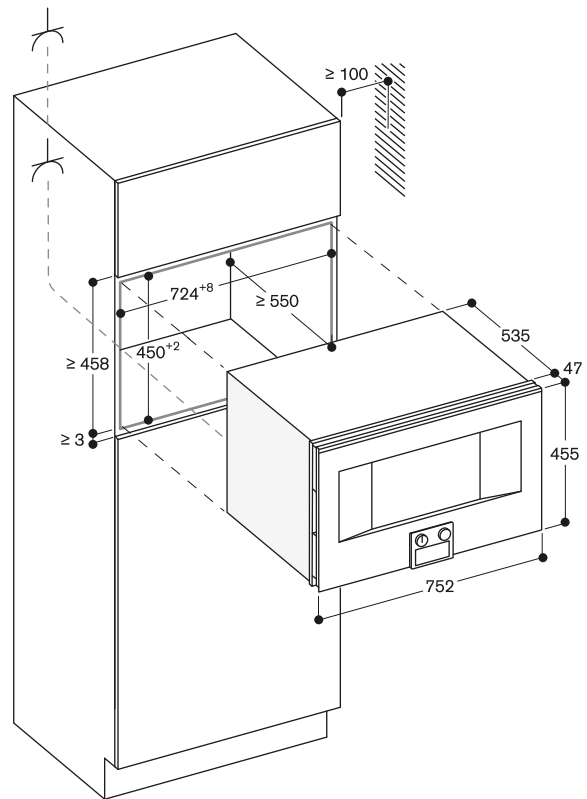
Door hinge not reversible.
The door panel surface of the appliance extends 47 mm from the furniture cavity.
Consider the overhang, incl. the door handle where applicable, when planning to open drawers next to the appliance.

When planning a corner solution, pay attention to the 110° door opening angle.
The mains socket needs to be planned outside of the built-in niche.

Please read the installation details regarding oven combination on page 12 – 13.

Connection

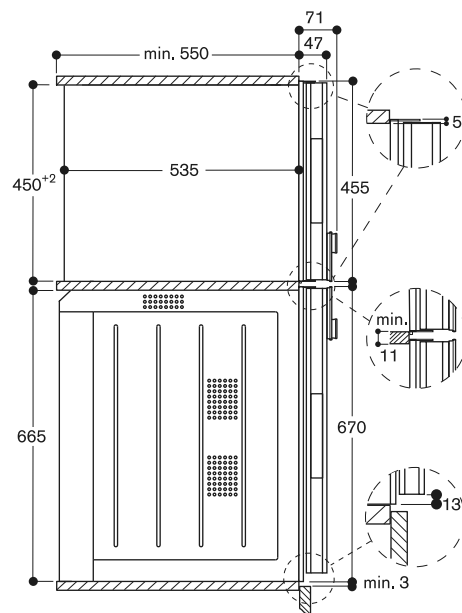
Total connected load 3.1 kW.
Connection cable 1.5 m without plug.



Socket

measurements in inches (mm)

Side view of BM 484/485 above BO





Controls at the top

Right-hinged

BM 450 110

Stainless steel-backed full glass door
Width 60 cm

BM 450 100

Full glass door in Gaggenau Anthracite
Width 60 cm

Left-hinged

BM 451 110

Stainless steel-backed full glass door
Width 60 cm

BM 451 100

Full glass door in Gaggenau Anthracite
Width 60 cm

Controls at the bottom

Right-hinged

BM 454 110

Stainless steel-backed full glass door
Width 60 cm

BM 454 100

Full glass door in Gaggenau Anthracite
Width 60 cm

Left-hinged

BM 455 110

Stainless steel-backed full glass door
Width 60 cm

BM 455 100

Full glass door in Gaggenau Anthracite
Width 60 cm

Included in the price

- 1 combination wire rack
- 1 glass tub

Combi-microwave oven 400 series BM 450/BM 451/BM 454/BM 455

- Handleless door / automatic door opening
- Single operation and combination of microwave, grill and oven
- Sequential operation of up to 5 modes incl. programming of combined operation and rest time
- TFT touch display
- Panel-free appliance with surface control module
- Electronic temperature control
- Interior volume 36 litres

Programmes

Microwave operation with 5 output levels: 1000, 600, 360, 180, 90 W.
Oven operation with 4 heating methods: Hot air 40 °C and from 100 °C to 250 °C, Full surface grill + hot air from 100 °C to 250 °C, Full surface grill + circulated air from 100 °C to 250 °C, Full surface grill with 3 levels of intensity, maximum output 2000 W.
Heating methods with microwave output levels 600, 360, 180 and 90 W freely combinable.
15 automatic programmes with weight indication, customisable:
4 defrosting programmes
4 cooking programmes
7 combination programmes
Option to save individual recipes.

Handling

Automatic door opening.
Rotary knob and TFT touch display operation.
Clear text display.
Information key with use indicators.
Side-opening door opens up to 180° angle.

Features

Innowave.
Rapid heating.
4 tray levels.
Actual temperature display.
60 W halogen light on the side.
Timer functions: cooking time, cooking time end, timer, stopwatch, long-term timer (certified by Star-K).

Safety

Thermally insulated door with triple glazing.
Triple door lock.
Child lock.
Safety shut-off.
Cooled housing with temperature protection.

Cleaning

Hygienic stainless steel interior with glass ceramic base.
Interior back wall with catalytic coating.

Planning notes

Door hinge not reversible.
Plan the niche without back wall.
The door panel surface of the appliance extends 47 mm from the furniture cavity.
Consider the overhang, incl. the door handle where applicable, when planning to open drawers next to the appliance.

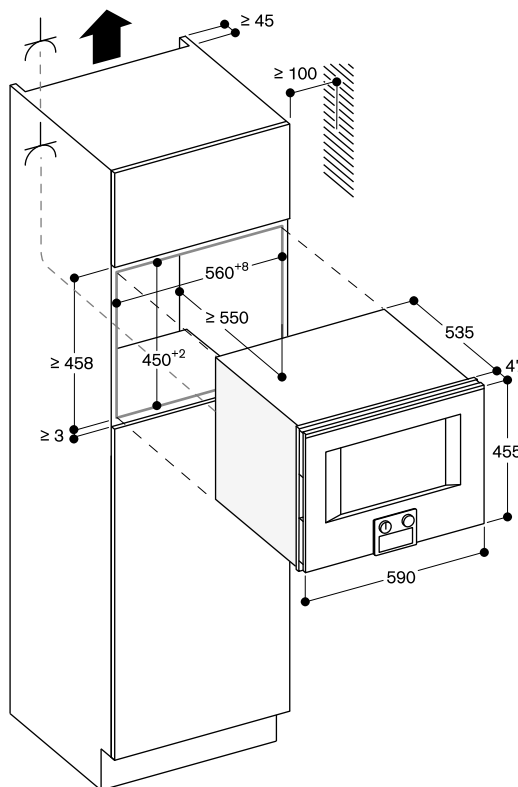
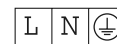
When planning a corner solution, pay attention to the 110° door opening angle.

The mains socket needs to be planned outside of the built-in niche.

Please read the installation details regarding oven combination on page 12 – 13.

Connection

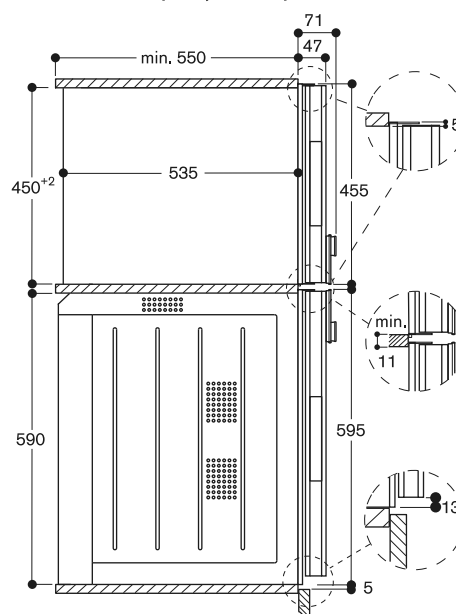
Total connected load 3.1 kW.
Connection cable 1.5 m without plug.



⚡ Socket

measurements in mm

Side view of BS 454/455, BM 454/455 above BO





Controls at the top

Left-hinged

CM 450 112

Stainless steel-backed full glass door

Width 60 cm

CM 450 102

Full glass door in Gaggenau Anthracite

Width 60 cm

Included in the price

- 1 assembly screws
- 1 scoop
- 1 test strip
- 1 milk container (insulated)
- 1 connection hose for milk frother
- 1 milk pipe

Fully automatic espresso machine

400 series

CM 450

- Handleless door / automatic door opening
- Continuous flow heater means no waiting time and constant brewing temperature
- Aroma brewing technology for a full aroma
- Single portion cleaning
- TFT touch display
- Panel-free appliance with surface control module
- One-touch operation
- Personalisation function
- 7 light settings
- Electronic fill level control for milk, water and coffee to ensure a perfect result

Type of beverage

Ristretto / 2 x Ristretto.
 Espresso / 2 x Espresso.
 Espresso Macchiato / 2 x Espresso Macchiato.
 Coffee / 2 x Coffee.
 Americano / 2 x Americano.
 Caffè Latte / 2 x Caffè Latte.
 Latte Macchiato / 2 x Latte Macchiato.
 Cappuccino / 2 x Cappuccino.
 Flat White / 2 x Flat White.
 Milk froth / 2 x Milk froth.
 Warm milk / 2 x Warm milk.
 Hot water / 2 x Hot water.

Handling

Automatic door opening.
 Rotary knob and TFT touch display operation.
 Clear text display.
 Personalisation function, option to save 8 individualised beverages.
 4 beverage size settings, volume can be individually adjusted to match the size of the cup.
 8 coffee strength levels from very mild to extra strong.
 3 coffee temperature levels.
 10 hot water temperature levels.
 4 coffee-milk ratio levels.
 Adjustable grinding level.
 Height-adjustable coffee dispenser 7 cm to 15 cm.
 Easy access to water tank, milk and coffee bean container behind the door.

Features

Maintenance-free grinding unit with ceramic discs.
 Separate drawer for second ground coffee type.
 Water pump with 19 bar pressure.
 Double grinding and brewing cycles for extra intensity for single beverage order. For double beverage order, two grinding and brewing cycles.
 Beverage dispenser with integrated milk system.
 Insulated stainless steel milk container for up to 0.5 litres.
 Integrated lightning with LEDs.
 Removable bean container with aroma protecting lid for 500 g allows for an effortless exchange of different types of coffee beans.
 Automatic adjustment of ground coffee quantity.
 Removable 2.4 litre water tank.
 Electronic water filter exchange indicator.
 Electronic fill level control for drip tray and container for coffee residue.

Home network integration for digital services (Home Connect) either via cable connection LAN (recommended) or wireless via WiFi.

The use of the Home Connect functionality depends on the Home Connect services, which are not available in every country. For further information please check: home-connect.com.

Please read additional information on Home Connect on page 345.

Safety

Child lock.

Cleaning

Fully automatic rinse programme when machine is turned on/off.
 Automatic steam cleaning of the milk system after every beverage.
 Automatic cleaning and descaling programme.
 Emptying programme to prepare the appliance for holiday or transportation.
 Empty-grinding function to remove coffee residues from the system when switching bean types.
 Removable brewing unit.
 Dishwasher-safe coffee residue container and drip tray.
 Dishwasher-safe beverage dispenser.

Planning notes

Ideal installation height 95 cm to 145 cm (top edge of niche bottom).
 The door panel surface of the appliance extends 47 mm from the furniture cavity.
 When installing in a corner a side clearance is required.
 Door opening angle appr. 110° (delivery status) - mounting distance to the wall has to be at least 350 mm.
 Door opening angle appr. 155° - mounting distance to the wall has to be at least 650 mm.
 Door opening angle appr. 92° - mounting distance to the wall has to be at least 100 mm (spare part No. 00636455).
 Installation directly above 14 cm high warming drawer in 59 cm standardised niche.
 The LAN port can be found at the back on the lower right side.

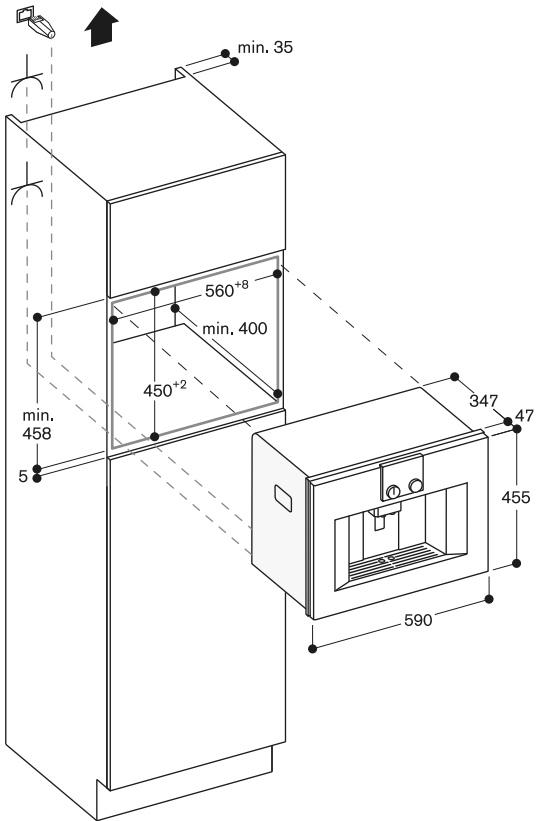
Special accessories (order as spare parts):

- Part No. 17000705 Water filter
- Part No. 00311819 Descaling tablets
- Part No. 00311769 Cleaning tablets
- Part No. 00636455 Door hinge restrictor (92° opening angle)
- Part No. 11015223 Bean container with lid

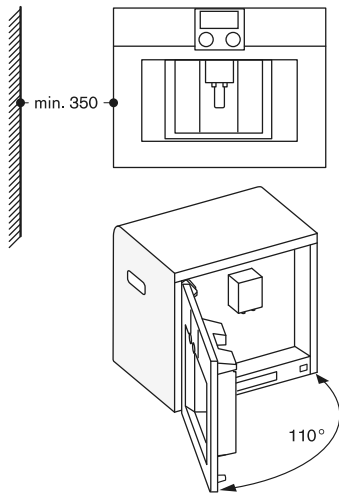
Please read the installation details regarding oven combination on page 12 – 13.

Connection

Total connected load 1.6 kW.
 Connection cable 1.7 m with plug.
Plan a LAN cable.



Left corner installation



If using the 92° door hinge restrictor (spare part no. 00636455), the minimum distance from the wall is only 100 mm.



DV 461 110

Stainless steel-backed glass front
Width 60 cm, Height 14 cm

DV 461 100

Glass front in Gaggenau Anthracite
Width 60 cm, Height 14 cm

Included in the price

- 50 vacuuming bags, small
- 50 vacuuming bags, big
- 1 raised vacuuming platform
- 1 adaptor f. vacuuming outside the chamber
- 1 vacuuming hose
- 1 adaptor for bottle plugs
- 3 plugs for vacuuming of bottles

Vacuating drawer 400 series

DV 461

- Integrable in 14 cm high niche
- Hygienic stainless steel vacuuming chamber, applicable height up to 80 mm
- 3 vacuuming levels for vacuuming in the chamber, max. 99%
- 3 vacuuming levels for vacuuming outside the chamber, max. 90%
- Automatic connection recognition for vacuuming outside the chamber
- Handleless drawer
- Cushioned closing system

Application

Vacuating for sous-vide cooking.
Vacuuing for fast marinating and flavouring.

Vacuating for extended storage.

Vacuating of vacuuming containers outside the chamber.

Vacuating of liquids in bottles outside the chamber.

Handling

Touch key operation.

Recessed grip at the front bottom of the drawer.

Features

Net volume 7 litres.

Capacity load max. 10 kg.

Maximum size of vacuuming bags
W 240 mm x L 350 mm.

3 heat-sealing levels for different strengths of bag material.

Sealing bar, non-stick coating, removable.

Safety glass cover, opens automatically after vacuuming.

Raised vacuuming platform, 44 mm, deployable.

Utility space in vacuuming chamber, W 210 mm x L 275 mm.

Membrane for avoiding reflux of liquids during vacuuming outside the chamber.

Drying programme for vacuuming pump.

Warning function.

Planning notes

The panel surface of the appliance extends 47 mm from the furniture cavity.

Installation of BS/BM/CM directly above DV in 59 cm niche without intermediate floor.

Built-in under worktop or in single niche.

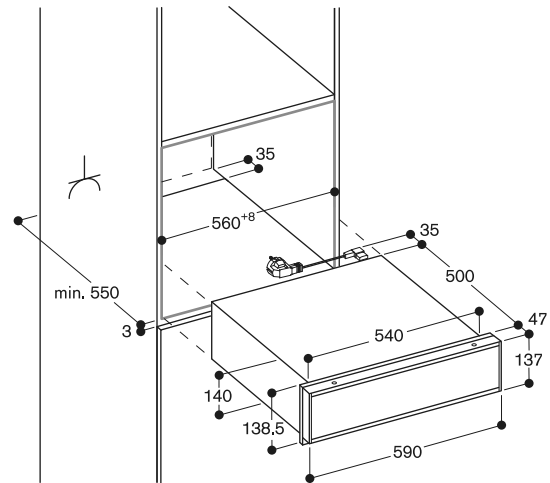
The socket can be planned behind the appliance.

Please read the installation details regarding oven combination on page 12 – 13.

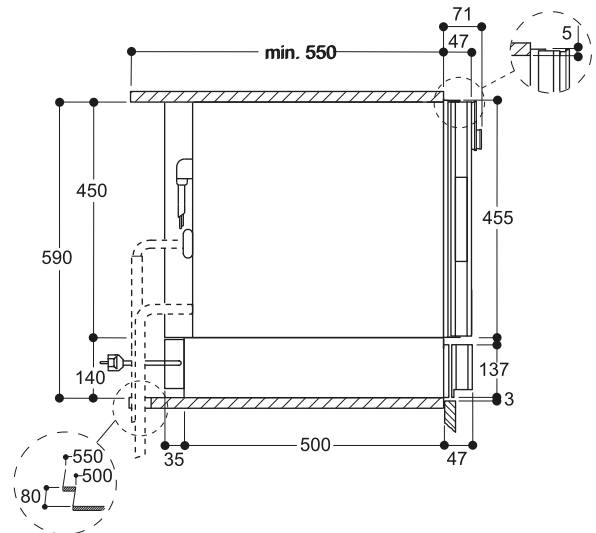
Connection

Total connected load 0.32 kW.

Connection cable 1.5 m, pluggable.



Side view of DV 461 below BS, BM, CM



**DV 061 100***

Fully integrated
Width 60 cm, Height 14 cm

* Suitable for 400 and 200 series

Included in the price

50 vacuuming bags, small
50 vacuuming bags, big
1 raised vacuuming platform
1 adaptor f. vacuuming outside the chamber
1 vacuuming hose
1 adaptor for bottle plugs
3 plugs for vacuuming of bottles

Vacuating drawer 400 series**DV 061**

- Integrable in 14 cm high niche
- Hygienic stainless steel vacuuming chamber, applicable height up to 80 mm
- 3 vacuuming levels for vacuuming in the chamber, max. 99%
- 3 vacuuming levels for vacuuming outside the chamber, max. 90%
- Automatic connection recognition for vacuuming outside the chamber
- Cushioned closing system

Application

Vacuating for sous-vide cooking.
Vacuating for fast marinating and flavouring.
Vacuating for extended storage.
Vacuating of vacuuming containers outside the chamber.
Vacuating of liquids in bottles outside the chamber.

Handling

Touch key operation.

Features

Net volume 7 litres.
Capacity load max. 10 kg.
Maximum size of vacuuming bags
W 240 mm x L 350 mm.
3 heat-sealing levels for different strengths of bag material.
Sealing bar, non-stick coating, removable.
Safety glass cover, opens automatically after vacuuming.
Raised vacuuming platform, 44 mm, deployable.
Utility space in vacuuming chamber, W 210 mm x L 275 mm.
Membrane for avoiding reflow of liquids during vacuuming outside the chamber.
Drying programme for vacuuming pump.
Warning function.

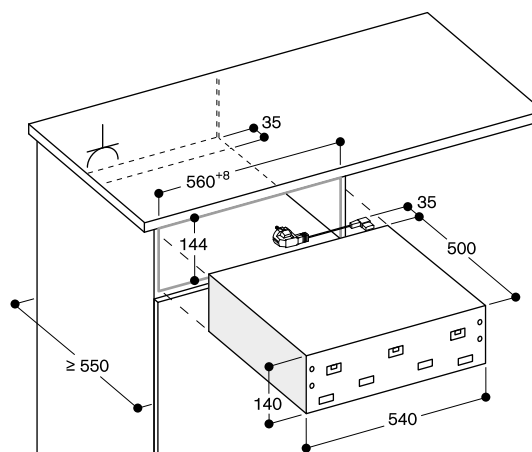
Planning notes

Attention: To open the fully integrated variant, a handle or a recessed grip is required.
Front weight up to 3kg.
Installation of BS/BM/CM directly above DV in 59 cm niche without intermediate floor.
Built-in under worktop or in single niche.
The socket can be planned behind the appliance.

Please read the installation details regarding oven combination on page 12 – 13.

Connection

Total connected load 0.32 kW.
Connection cable 1.5 m, pluggable.



⚡ Socket

measurements in mm



WS 482 110

Stainless steel-backed glass front
Width 76 cm, Height 21 cm

Warming drawer 400 series
WS 482

- Handleless drawer
- Bright interior light
- Cushioned closing system
- Hygienic stainless steel interior with glass bottom
- 4 power levels in the temperature range 40 °C to 80 °C (glass surface)
- Also for preparing and cooking meals, and for keeping meals warm

Heating methods

Defrosting of meals/proving of yeast dough.
Preheating of small beverage containers.
Keeping meals warm/slow cooking meals.
Warming ovenware.

Handling

Rotary knob operation.
Recessed grip at the front bottom of the drawer.

Features

Net volume 38 litres.
Volume capacity: Dinner service for 10 people including ø24 cm plates and soup bowls, additional bowls and a serving dish depending on size.
Max. load 25 kg.
Usable interior dimensions W 606 x H 132 x D 480 mm.
Heating under glass bottom for easy cleaning.
Fan for even heat distribution for fast warming ovenware.
Status display, visible in the glass front.
Glass bottom made of safety glass.

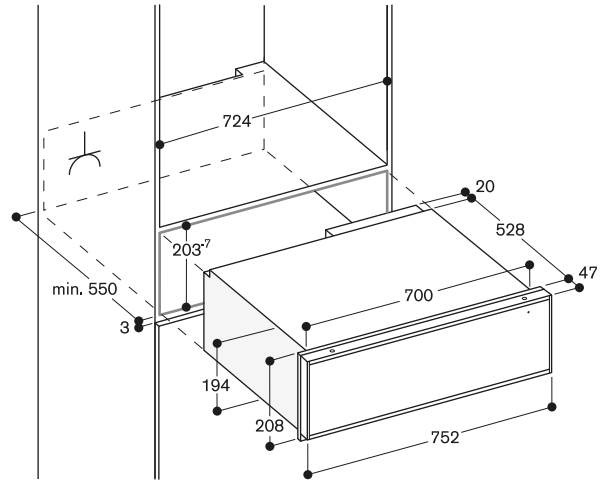
Planning notes

The panel surface of the appliance extends 47 mm from the furniture cavity.
Installation of BO/BS above WS with dimensionally stable intermediate shelf.
Installation of BS above WS in 66.5 cm niche with intermediate floor (gap of 7 mm between WS and BS).
The socket can be planned behind the appliance.

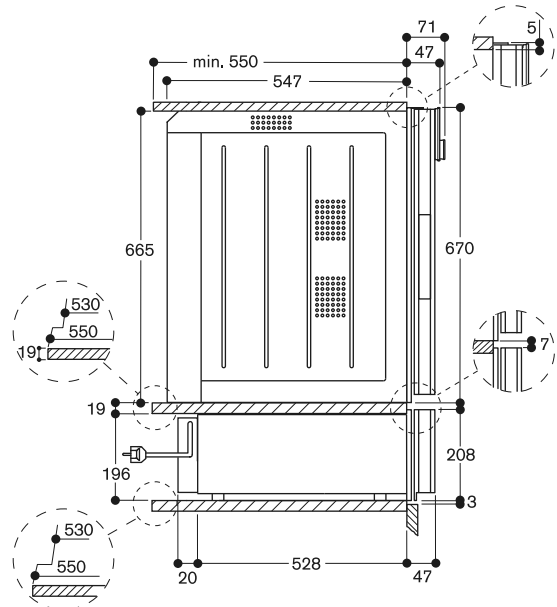
Please read the installation details regarding oven combination on page 12 – 13.

Connection

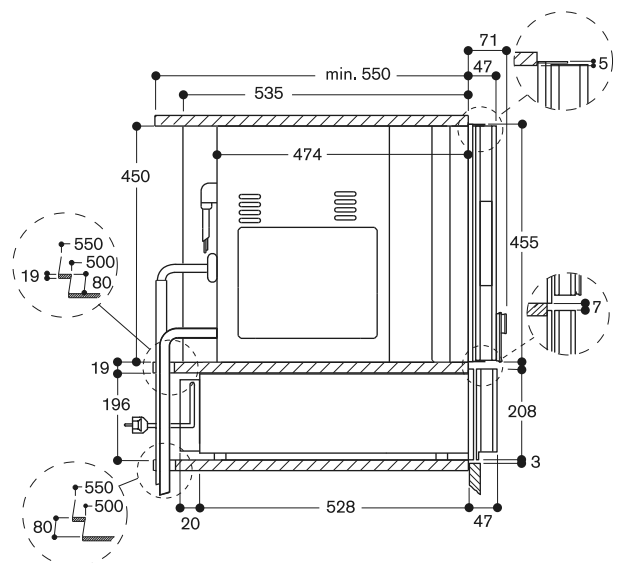
Total connected load 0.81 kW.
Connection cable 1.5 m, pluggable.



Side view of WS 482 below BO 480



Side view of WS 482 below BS 484/485



**WS 461 112**

Stainless steel-backed glass front
Width 60 cm, Height 14 cm

WS 461 102

Glass front in Gaggenau Anthracite
Width 60 cm, Height 14 cm

Culinary warming drawer 400 series
WS 461

- Handleless drawer
- Cushioned closing system
- Hygienic stainless steel interior with glass bottom
- Direct temperature selection in the range 30 °C to 80 °C (glass surface)
- For slow cooking, dough proofing, herbs and fruits drying, chocolate melting and defrosting

Heating methods

Slow cooking.
Keeping meals warm.
Warming ovenware.
Cups and plates warming.
Direct temperature control.
Personalisation function via Home Connect.
16 additional programs via Home Connect.

Handling

Touch key operation.
Recessed grip at the front bottom of the drawer.

Features

Net volume 20 litres.
Volume capacity: Dinner service for 6 people including ø27 cm plates and soup bowls, additional bowls and a serving dish depending on size.
Capacity load max. 25 kg.
Usable interior dimensions W547 mm x H 91 mm x D 410 mm.
Heating under glass bottom for easy cleaning.
Heating system for even heat distribution and stable cavity temperature.
Status display, visible in the glass front.
Glass bottom made of safety glass.
Heating timer via Home Connect.
Specific recipes via Home Connect.
Long-term timer via Home Connect (certified by Star-K).

Home network integration for digital services (Home Connect) wireless via WiFi.

The use of the Home Connect functionality depends on the Home Connect services, which are not available in every country. For further information please check: home-connect.com.

Please read additional information on Home Connect on page 345.

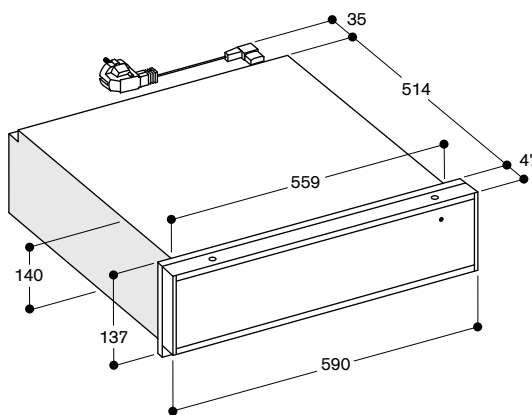
Planning notes

The panel surface of the appliance extends 47 mm from the furniture cavity.
Installation of BS/BM/CM directly above WS in 59 cm niche without intermediate floor.
The socket can be planned behind the appliance.

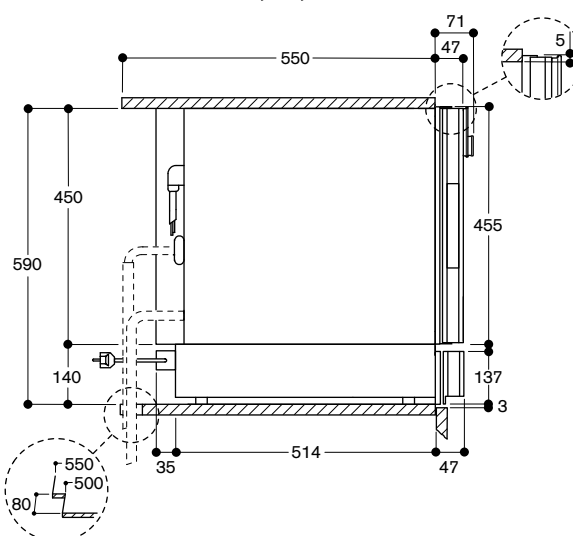
Please read the installation details regarding oven combination on page 12 – 13.

Connection

Total connected load 0.82 kW.
Connection cable 1.8m, pluggable.



Measurements in mm

Side view of WS 461 below BS, BM, CM

Measurements in mm



WS 462 112

Stainless steel-backed glass front
Width 60 cm, Height 29 cm

WS 462 102

Glass front in Gaggenau Anthracite
Width 60 cm, Height 29 cm

Culinary warming drawer 400 series WS 462

- Handleless drawer
- Cushioned closing system
- Hygienic stainless steel interior with glass bottom
- Direct temperature selection in the range 30 °C to 80 °C (glass surface)
- For slow cooking, dough proofing, herbs and fruits drying, chocolate melting and defrosting

Heating methods

Slow cooking.
Keeping meals warm.
Warming ovenware.
Cups and plates warming.
Direct temperature control.
Personalisation function via Home Connect.
16 additional programs via Home Connect.

Handling

Touch key operation.
Recessed grip at the front bottom of the drawer.

Features

Net volume 54 litres.
Volume capacity: Dinner service for 12 people including ø 27 cm plates and soup bowls, additional bowls and a serving dish depending on size.
Capacity load max. 25 kg.
Usable interior dimensions W475 mm x H 241 mm x D 410 mm.
Heating under glass bottom for easy cleaning.
Heating system for even heat distribution and stable cavity temperature.
Status display, visible in the glass front.
Glass bottom made of safety glass.
Heating timer via Home Connect.
Specific recipes via Home Connect.
Long-term timer via Home Connect (certified by Star-K).

Home network integration for digital services (Home Connect) wireless via WiFi.

The use of the Home Connect functionality depends on the Home Connect services, which are not available in every country. For further information please check: home-connect.com.

Please read additional information on Home Connect on page 345.

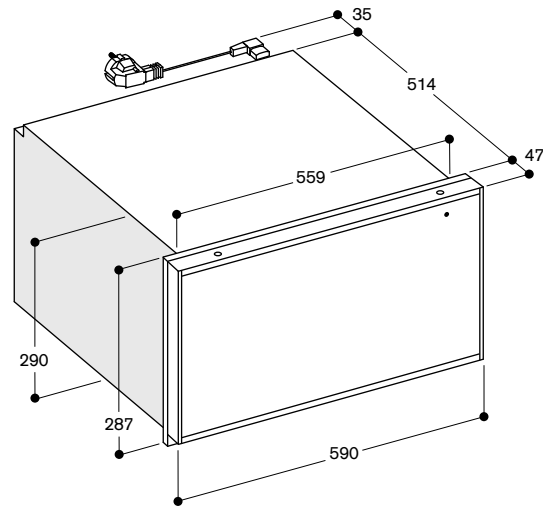
Planning notes

The panel surface of the appliance extends 47 mm from the furniture cavity.
Installation of BS/BM/CM directly above WS in 59 cm niche without intermediate floor.
The socket can be planned behind the appliance.

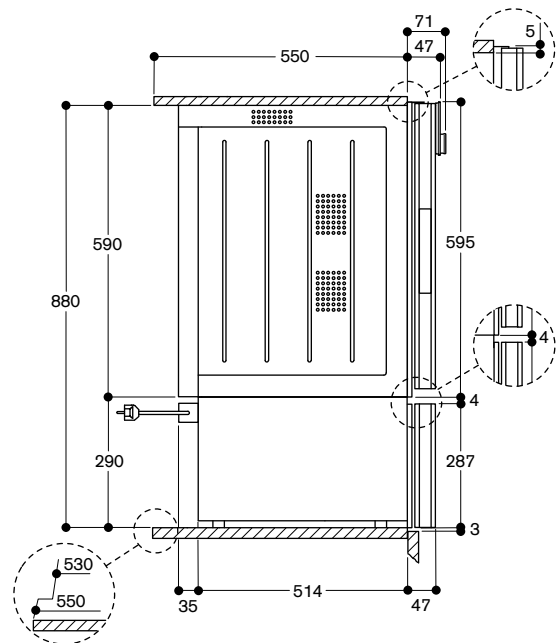
Please read the installation details regarding oven combination on page 12 – 13.

Connection

Total connected load 0.82 kW.
Connection cable 1.8 m, pluggable.



Side view of WS 462 below BO



Measurements in mm

**WS 061 102**

Hygienic stainless steel interior with glass bottom
Width 60 cm, Height 14 cm

Culinary warming drawer 400 series
WS 061

- Direct temperature selection in the range 30 °C to 80 °C (glass surface)
- For slow cooking, dough proofing, herbs and fruits drying, chocolate melting and defrosting

Heating methods

Slow cooking.
Keeping meals warm.
Warming ovenware.
Cups and plates warming.
Direct temperature control.
Personalisation function via Home Connect.
16 additional programs via Home Connect.

Handling

Touch key operation.

Features

Net volume 20 litres.
Volume capacity: Dinner service for 6 people including ø 27 cm plates and soup bowls, additional bowls and a serving dish depending on size.
Capacity load max. 25 kg.
Usable interior dimensions
W 547 mm x H 91 mm x D 410 mm.
Heating under glass bottom for easy cleaning.
Heating system for even heat distribution and stable cavity temperature.
Status display, visible in the glass front.
Glass bottom made of safety glass.
Heating timer via Home Connect.
Specific recipes via Home Connect.
Long-term timer via Home Connect (certified by Star-K).

Home network integration for digital services (Home Connect) wireless via WiFi.

The use of the Home Connect functionality depends on the Home Connect services, which are not available in every country. For further information please check: home-connect.com.

Please read additional information on Home Connect on page 345.

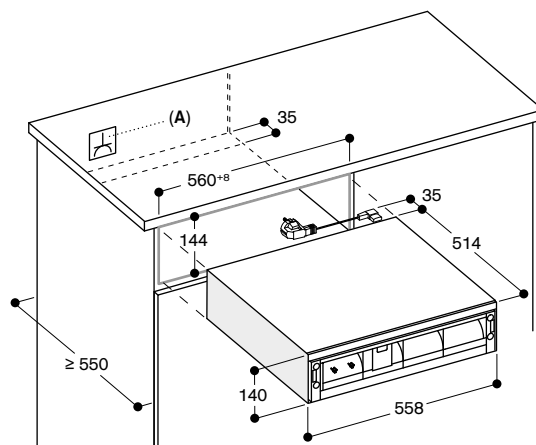
Planning notes

Attention: To open the fully integrated variant, a handle or a recessed grip is necessary.
Front weight up to 3 kg.
The socket can be planned behind the appliance.

Please read the installation details regarding oven combination on page 12 – 13.

Connection

Total connected load 0.82 KW.
Connection cable 1.8 m, pluggable.
For installation of appliances with Schuko-plug in households with Denmark-sockets (Typ K) is the special accessory HEZG9AS00S available



A: Socket

Measurements in mm

Accessories and special accessories 400 series

Advice: Not every illustrated accessory fits to every oven.

BA 010 301

Triple telescopic pull-out rack
For combi-steam oven.



BA 016 105

Pull-out system
Fully extendable telescopic rails and
enamelled cast iron frame.



BA 018 105

Pull-out system
Fully extendable telescopic rails and
enamelled cast iron frame.

BA 020 361

Cooking container, stainless steel,
unperforated, 46 mm deep, 5.4l.



BA 020 370

Cooking container, stainless steel,
perforated, 40 mm deep, 5l.



BA 020 381

Cooking container, non-stick,
unperforated, 46 mm deep, 5.4l.



BA 020 390

Cooking container, non-stick,
perforated, 40 mm deep, 5l.



BA 026 115

Baking tray, enamelled
15 mm deep.



BA 028 115

Baking tray, enamelled
30 mm deep.

BA 036 105

Wire rack, chromium-plated
Without opening, with feet.



BA 038 105

Wire rack, chromium-plated
Without opening, with feet.

BA 046 117

Glass tray
24 mm deep.



BA 226 105

Grill tray, enamelled
30 mm deep.



BA 056 115

Heating element for baking stone and
Gastronorm roaster



BA 058 115

Heating element for baking stone and
Gastronorm roaster

BA 056 133

Baking stone
Incl. baking stone support and pizza
paddle (heating element must be
ordered separately).
Not in combination with pull-out system.



BA 058 133

Baking stone
Incl. baking stone support and pizza
paddle (heating element must be
ordered separately).
Not in combination with pull-out system.

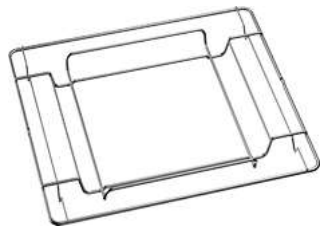
BS 020 002

Pizza paddle, set of 2



GN 010 330

Adapter for gastronorm insert and
roaster.



GN 114 130

Gastronorm insert, stainless steel,
GN 1/3
Unperforated, 40 mm deep, 1.5l.

**GN 114 230**

Gastronorm insert, stainless steel,
GN 2/3
Unperforated, 40 mm deep, 3l.

**GN 124 130**

Gastronorm insert, stainless steel,
GN 1/3
Perforated, 40 mm deep, 1.5l.

**GN 124 230**

Gastronorm insert, stainless steel,
GN 2/3
Perforated, 40 mm deep, 3l.

**GN 340 230**

Gastronorm roaster in cast aluminium
GN 2/3, height 165 mm, non-stick.
For roasting in oven with roasting
function.
Lower and upper part can also be
used as separate ovenproof dishes,
height 100 and 65 mm.
For ovens with heating element
BA 056 115 or BA 058 115 and
pull-out system BA 016 or BA 018
(both to be ordered separately) and
for Combi-steam ovens with adapter
GN 010 330 and pull-out system
BA 010 301 (both to be ordered
separately).

**CL S10 040**

Cleaning cartridges, set of 4.
For Combi-steam oven.

**GF 111 100**

Descaling and neutralising filter,
for first installation.
Descaling system, recommended to be
installed if water hardness exceeds
7 °dH or carbon hardness 5 °dH.
Filter head with integrated non-return
valve and filter.
Width 130 mm, Height 265 mm,
Depth 121 mm.
Water inlet 1.5 m with 3/4" connection.

**GF 121 110**

Filter cartridge

**GZ 010 011**

Extension for water inlet and outlet
(2 m long).





The ovens 200 series

Checklist for appliance combinations 200 series	40
Ovens 200 series	42
Combi-steam ovens 200 series	46
Steam ovens 200 series	52
Combi-microwave ovens 200 series	54
Microwave ovens 200 series	56
Fully automatic espresso machines 200 series	58
Vacuuming drawers 200 series	60
Warming drawers 200 series	61
Accessories special accessories 200 series	64

Checklist for appliance combinations 200 series

This checklist provides the most relevant parameters for the perfect combination and ordering of ovens, Combi-steam ovens, steam ovens, Combi-microwave ovens, microwaves, fully automatic espresso machines, warming drawers and dishwashers.

When several appliances are listed (BSP/BMP), the first appliance is shown.

Vertical combinations

When planning and ordering please note that

- The door hinges of the appliances must be on the same side.
- The door hinge (right-/left-hinged) is not reversible.
- No further appliances may be fitted above the BSP.
- Only appliances with controls at the top can be installed above a dishwasher. The niche for appliances that are installed above it must be 56 cm wide. The dishwasher is 60 cm wide.

Horizontal combinations

When planning and ordering please note that

- The door hinges can be located on either the inside or outside, without the full door opening angle being restricted.
- The door hinge (right-/left-hinged) cannot be reversed retrospectively.
- A minimum clearance of 10 mm between the two doors must be observed.
- Combi-steam ovens, steam ovens, Combi-microwave ovens, microwaves and fully automatic espresso machines in combination with a warming drawer (14 cm in height) have the same total height as a 60 cm wide ovens.

BOP Ovens
 BSP Combi-steam ovens/steam ovens
 BMP Combi-microwave ovens/
 microwaves
 CMP Fully automatic espresso
 machine
 WSP Warming drawers
 DF Dishwashers

Please read additional planning notes on page 12 – 13.

All appliances shown can be obtained in these appliance colors:



Gaggenau Anthracite



Gaggenau Metallic



Gaggenau Silver

Vertical combination, 60 cm wide appliances



• BSP 2.0/BSP 220/BMP 250
 • BOP 2.0
 • WSP 222



• BMP 224
 • BOP 2.0
 • WSP 222



• BSP 2.0/BSP 220/BMP 250
 • BMP 250
 • WSP 221



• BMP 250/BSP 2.0
 • CMP 270/CMP 250
 • WSP 221



• BMP 224
 • CMP 270/CMP 250
 • WSP 221



• BOP 2.0
 • DF



• BSP 2.0/BSP 220/BMP 250
 • DF



• CMP 270/CMP 250
 • DF

Horizontal combination, 60 cm wide appliances



• BOP 2.1 • BOP 2.0



• BOP 2.1 • BSP 2.0/BSP 220/BMP 250
• DVP 221/WSP 221



• BOP 251 • CMP 270/CMP 250
• WSP 221/DVP 221



• BSP 221/BSP 2.1/BMP 251
• WSP 221/DVP 221 • BMP 250/BSP 2.0
• DVP 221/WSP 221



• BMP 251/BSP 2.1 • CMP 270/CMP 250
• DVP 221/WSP 221 • WSP 221/DVP 221



• BOP 251 • CMP 270/CMP 250
• WSP 221/DVP 221 • BSP 2.0/BSP 220/BMP 250
• DVP 221/WSP 221



• BMP 251/BSP 2.1 • CMP 270/CMP 250
• WSP 221/DVP 221 • DVP 221/WSP 221
• BSP 2.0/BSP 220/BMP 250
• WSP 221/DVP 221

Combination of 4 with warming drawer, 60 cm wide appliances



• BOP 2.1 • BSP 2.0/BSP 220/BMP 250
• DVP 221/WSP 221 • BMP 250/BSP 2.0
• WSP 221/DVP 221



• BSP 2.1/BSP 221/BMP 251
• BOP 2.1 • BMP 250/BSP 2.0
• CMP 270/CMP 250
• WSP 221/DVP 221



Controls at the top

Right-hinged

BOP 250 102

Full glass door in Gaggenau Anthracite
Width 60 cm

BOP 250 112

Full glass door in Gaggenau Metallic
Width 60 cm

BOP 250 132

Full glass door in Gaggenau Silver
Width 60 cm

Left-hinged

BOP 251 102

Full glass door in Gaggenau Anthracite
Width 60 cm

BOP 251 112

Full glass door in Gaggenau Metallic
Width 60 cm

BOP 251 132

Full glass door in Gaggenau Silver
Width 60 cm



Included in the price

- 1 baking tray, enamelled pyrolysis-safe
- 1 glass tray
- 1 wire rack
- 1 plug-in core temperature probe

Special accessories

BA 016 105

Pull-out system
Fully extendable telescopic rails and enamelled cast iron frame.

BA 026 115

Baking tray, enamelled
15 mm deep.

BA 036 105

Wire rack, chromium-plated
Without opening, with feet.

BA 046 117

Glass tray
24 mm deep.

BA 056 115

Heating element for baking stone and Gastronorm roaster.

BA 056 133

Baking stone.
Incl. baking stone support and pizza paddle (heating element must be ordered separately).
Not in combination with pull-out system.

BA 226 105

Grill tray, enamelled
30 mm deep.

BS 020 002

Pizza paddle, set of 2.

GN 340 230

Gastronorm roaster in cast aluminium.
GN2/3, height 165 mm, non-stick.

Oven 200 series

BOP 250/BOP 251

- Flush installation
- Pyrolytic system
- 13 heating methods with core temperature probe and baking stone function
- Automatic programmes
- Core temperature probe with estimation of cooking time
- TFT touch display
- Panel-free appliance with surface control module
- Electronic temperature control from 30 °C to 300 °C
- Net volume 76 litres

Heating methods

Hot air.
Eco hot air.
Top + bottom heat.
Top bottom.
Bottom heat.
Hot air + bottom heat.
Full surface grill + circulated air.
Full surface grill.
Compact grill.
Baking stone function.
Roaster function.
Dough proofing.
Defrosting.

Handling

Rotary knob and TFT touch display operation.
Clear text display.
Option to save individual recipes (incl. core temperature probe).
Personalisation of automatic programmes.
Information key with use indicators.
Side-opening door opens up to 110° angle.

Features

Three-point core temperature probe with automatic shut-off and estimation of cooking time.
Automatic programmes.
Baking stone socket.
Actual temperature display.
Rapid heating.
Timer functions: cooking time, cooking time end, timer, stopwatch, long-term timer (certified by Star-K).
60 W halogen light on the top.
Enamelled side shelf supports with 4 tray levels, pyrolysis-safe.

Home network integration for digital services (Home Connect) either via cable connection LAN (recommended) or wireless via WiFi.

The use of the Home Connect functionality depends on the Home Connect services, which are not available in every country. For further information please check: home-connect.com.

Please read additional information on Home Connect on page 345.

Safety

Thermally insulated door with quintuple glazing.
Child lock.
Safety shut-off.
Cooled housing with temperature protection.

Cleaning

Pyrolytic system.
Gaggenau enamel.
Heated catalyser to clean the oven air.

Planning notes

Door hinge not reversible.
The door panel surface of the appliance extends 21 mm from the furniture cavity.
The outer edge of the door handle extends 72 mm from the furniture cavity.
Necessary lateral gap between appliance door and furniture panel of min. 5 mm.
Consider the overhang, incl. the door handle, when planning to open drawers next to the appliance.
When planning a corner solution, pay attention to the 110° door opening angle.
For installation underneath cooktops: Distance between the underside of the cooktop and the top edge of the oven cavity: min. 15 mm. The planning notes for the cooktops (particularly regarding ventilation, gas/electric connection) must be taken into account.
To achieve the 550 mm installation depth, the connection cable needs to follow the slanted edge on the corner of the housing.
The mains socket needs to be planned outside the built-in niche.
The LAN port can be found at the back on the upper right side.

Please read the installation details regarding oven combination on page 12 – 13.

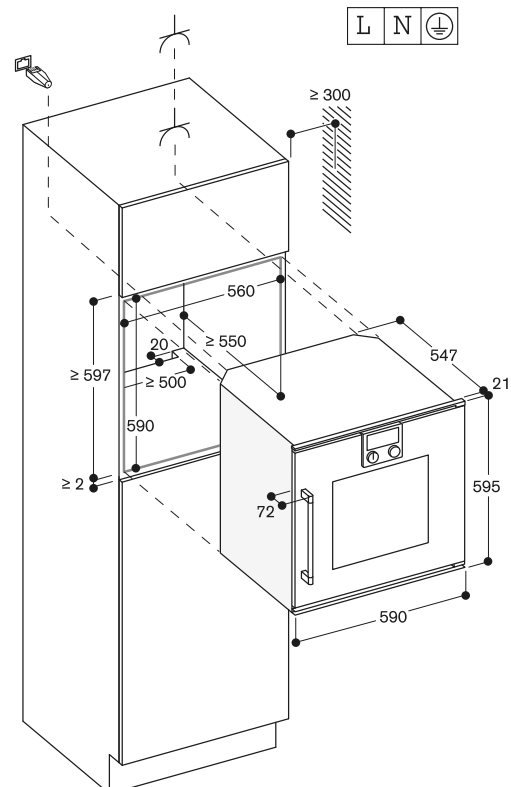
Connection

Energy efficiency class A at a range of energy efficiency classes from A+++ to D.

Total connected load 3.7 kW.

Plan a connection cable.

Plan a LAN cable.



measurements in mm

*Energy efficiency class: at a range of energy efficiency classes from A+++ to D.



Controls at the top

Right-hinged

BOP 220 102

Full glass door in Gaggenau Anthracite
Width 60 cm

BOP 220 112

Full glass door in Gaggenau Metallic
Width 60 cm

BOP 220 132

Full glass door in Gaggenau Silver
Width 60 cm

Left-hinged

BOP 221 102

Full glass door in Gaggenau Anthracite
Width 60 cm

BOP 221 112

Full glass door in Gaggenau Metallic
Width 60 cm

BOP 221 132

Full glass door in Gaggenau Silver
Width 60 cm

A *

Included in the price

- 1 baking tray, enamelled pyrolysis-safe
- 1 glass tray
- 1 wire rack

Special accessories

BA 016 105

Pull-out system
Fully extendable telescopic rails and enamelled cast iron frame.

BA 026 115

Baking tray, enamelled
15 mm deep.

BA 036 105

Wire rack, chromium-plated
Without opening, with feet.

BA 046 117

Glass tray
24 mm deep.

BA 056 115

Heating element for baking stone and
Gastronorm roaster.

BA 056 133

Baking stone.
Incl. baking stone support and pizza
paddle (heating element must be
ordered separately).

Not in combination with pull-out
system.

BA 226 105

Grill tray, enamelled
30 mm deep.

BS 020 002

Pizza paddle, set of 2.

GN 340 230

Gastronorm roaster in cast aluminium.
GN 2/3, height 165 mm, non-stick.

Oven 200 series

BOP 220/BOP 221

- Flush installation
- Pyrolytic system
- 9 heating methods, with baking stone function
- TFT touch display
- Panel-free appliance with surface control module
- Electronic temperature control from 50 °C to 300 °C
- Net volume 76 litres

Heating methods

Hot air.

Eco hot air.

Top + bottom heat.

Top heat.

Bottom heat.

Hot air + bottom heat.

Full surface grill + circulated air.

Full surface grill.

Baking stone function.

Handling

Rotary knob and TFT touch display operation.

Clear text display.

Option to save individual recipes.

Information key with use indicators.

Side-opening door opens up to 110° angle.

Features

Baking stone socket.

Actual temperature display.

Rapid heating.

Timer functions: cooking time, cooking time end, timer, stopwatch, long-term timer (**certified by Star-K**).

60 W halogen light on the top.

Enamelled side shelf supports with 4 tray levels, pyrolysis-safe.

Home network integration for digital services (Home Connect) either via cable connection LAN (recommended) or wireless via WiFi.

The use of the Home Connect functionality depends on the Home Connect services, which are not available in every country. For further information please check: home-connect.com.

Please read additional information on Home Connect on page 345.

Safety

Thermally insulated door with quintuple glazing.

Child lock.

Safety shut-off.

Cooled housing with temperature protection.

Cleaning

Pyrolytic system.

Gaggenau enamel.

Heated catalyser to clean the oven air.

Planning notes

Door hinge not reversible.

The door panel surface of the appliance extends 21 mm from the furniture cavity.

The outer edge of the door handle extends 72 mm from the furniture cavity. Necessary lateral gap between appliance door and furniture panel of min. 5 mm.

Consider the overhang, incl. the door handle, when planning to open drawers next to the appliance.

When planning a corner solution, pay attention to the 110° door opening angle. For installation underneath cooktops: Distance between the underside of the cooktop and the top edge of the oven cavity: min. 15 mm. The planning notes for the cooktops (particularly regarding ventilation, gas/electric connection) must be taken into account.

To achieve the 550 mm installation depth, the connection cable needs to follow the slanted edge on the corner of the housing.

The mains socket needs to be planned outside the built-in niche.

The LAN port can be found at the back on the upper right side.

Please read the installation details regarding oven combination on page 12 – 13.

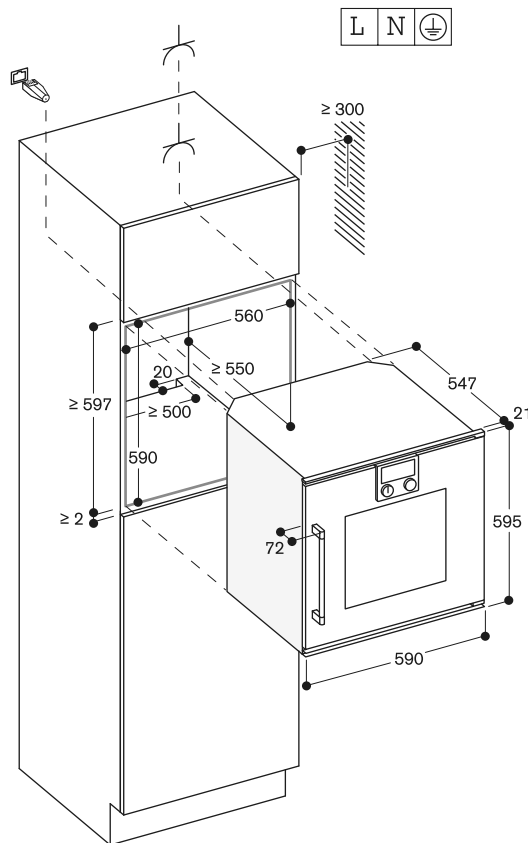
Connection

Energy efficiency class A at a range of energy efficiency classes from A+++ to D.

Total connected load 3.7 kW.

Plan a connection cable.

Plan a LAN cable.



measurements in mm

*Energy efficiency class: at a range of energy efficiency classes from A+++ to D.



Controls at the top

Right-hinged

BOP 210 102

Full glass door in Gaggenau Anthracite
Width 60 cm

BOP 210 112

Full glass door in Gaggenau Metallic
Width 60 cm

BOP 210 132

Full glass door in Gaggenau Silver
Width 60 cm

Left-hinged

BOP 211 102

Full glass door in Gaggenau Anthracite
Width 60 cm

BOP 211 112

Full glass door in Gaggenau Metallic
Width 60 cm

BOP 211 132

Full glass door in Gaggenau Silver
Width 60 cm



Included in the price

- 1 baking tray, enamelled pyrolysis-safe
- 1 wire rack
- 1 enamelled tray

Special accessories

BA 036 102

Wire rack, chromium-plated
Without opening, with feet.

BA 046 117

Glass tray
24 mm deep.

BA 056 115

Heating element for baking stone and
Gastronorm roaster.

BA 056 130

Baking stone.

Incl. baking stone support and pizza
paddle (heating element must be
ordered separately).

Not in combination with pull-out system.

BA 216 102

Quadruple telescopic pull-out rack
For oven BOP 210/BOP 211.

BA 226 102

Grill tray, enamelled
37 mm deep.

BA 226 112

Baking tray, enamelled
24 mm deep.

BS 020 002

Pizza paddle, set of 2.

Oven 200 series

BOP 210/BOP 211

- Flush installation
- 9 heating methods, with baking stone function
- TFT touch display
- Panel-free appliance with surface control module
- Electronic temperature control from 50 °C to 300 °C
- Net volume 76 litres

Heating methods

Hot air.

Eco hot air.

Top + bottom heat.

Top heat.

Bottom heat.

Hot air + bottom heat.

Full surface grill + circulated air.

Full surface grill.

Baking stone function.

Handling

Rotary knob and TFT touch display operation.

Clear text display.

Option to save individual recipes.

Information key with use indicators.

Side-opening door opens up to 110° angle.

Features

Baking stone socket.

Actual temperature display.

Rapid heating.

Timer functions: cooking time, cooking time end, timer, stopwatch, long-term timer (certified by Star-K).

60 W halogen light on the top.

Chromium-plated wire racks on the side with 4 rack levels.

Home network integration for digital services (Home Connect) either via cable connection LAN (recommended) or wireless via WiFi.

The use of the Home Connect functionality depends on the Home Connect services, which are not available in every country. For further information please check: home-connect.com.

Please read additional information on Home Connect on page 345.

Safety

Thermally insulated door with triple glazing.

Child lock.

Safety shut-off.

Cooled housing with temperature protection.

Cleaning

Gaggenau enamel.

Heated catalyser to clean the oven air.

Planning notes

Door hinge not reversible.

The door panel surface of the appliance extends 21 mm from the furniture cavity.

The outer edge of the door handle extends 72 mm from the furniture cavity. Necessary lateral gap between appliance door and furniture panel of min. 5 mm.

Consider the overhang, incl. the door handle, when planning to open drawers next to the appliance.

When planning a corner solution, pay attention to the 110° door opening angle.

For installation underneath cooktops: Distance between the underside of the cooktop and the top edge of the oven cavity: min. 15 mm.

The planning notes for the cooktops (particularly regarding ventilation, gas/electric connection) must be taken into account.

To achieve the 550 mm installation depth, the connection cable needs to follow the slanted edge on the corner of the housing.

The mains socket needs to be planned outside the built-in niche.

The LAN port can be found at the back on the upper right side.

Please read the installation details regarding oven combination on page 12 – 13.

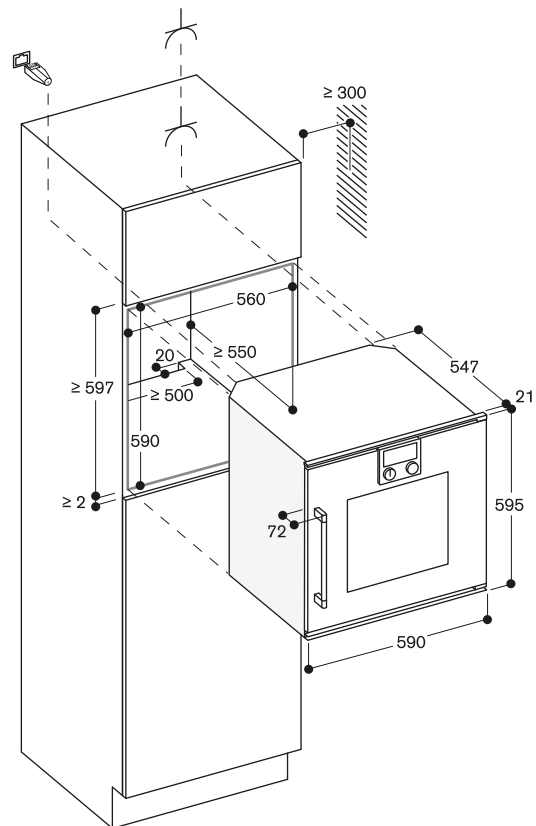
Connection

Energy efficiency class A at a range of energy efficiency classes from A+++ to D.

Total connected load 3.7 kW.

Plan a connection cable.

Plan a LAN cable.



measurements in mm



Controls at the top

Right-hinged

BSP 270 101

Full glass door in Gaggenau Anthracite
Width 60 cm

BSP 270 111

Full glass door in Gaggenau Metallic
Width 60 cm

BSP 270 131

Full glass door in Gaggenau Silver
Width 60 cm

Left-hinged

BSP 271 101

Full glass door in Gaggenau Anthracite
Width 60 cm

BSP 271 111

Full glass door in Gaggenau Metallic
Width 60 cm

BSP 271 131

Full glass door in Gaggenau Silver
Width 60 cm



Included in the price

- 1 cooking container, stainless steel, perforated
- 1 cooking container, stainless steel, unperforated
- 1 wire rack
- 1 plug-in core temperature probe
- 1 outlet hose (3 m long)
- 1 water inlet hose (3 m long)
- 4 cleaning cartridges

Installation accessories

GF 111 100

Water descaling system

GF 121 110

Filter cartridge

GZ 010 011

Extension for water inlet and outlet
(2 m long)

Special accessories

BA 010 301

Triple telescopic pull-out rack
For combi-steam oven.

BA 020 361

Cooking container, stainless steel,
unperforated, 46 mm deep, 5.4 l.

BA 020 370

Cooking container, stainless steel,
perforated, 40 mm deep, 5 l.

BA 020 381

Cooking container, non-stick,
unperforated, 46 mm deep, 5.4 l.

BA 020 390

Insert, non-stick, perforated, 40 mm
deep, 5 l.

BA 046 117

Glass tray
24 mm deep.

CL S10 040

Cleaning cartridges, set of 4
For combi-steam ovens.

Combi-steam oven 200 series

BSP 270/BSP 271

- Flush installation
- Fixed inlet and outlet water connection
- Cleaning system, fully automatic
- Large cavity
- LED light source
- External steam generation
- Steaming without pressure
- Hot air 30 °C to 230 °C can be combined with chosen humidity level of 0%, 30%, 60%, 80% or 100%
- Sous-vide cooking with accurate temperature regulation
- Full surface grill combinable with circulated air up to 230 °C and steam
- Automatic programmes
- Core temperature probe with estimation of cooking time
- Hot air fan rotates in both directions for ideal heat distribution
- TFT touch display
- Panel-free appliance with surface control module
- Electronic temperature control from 30 °C bis 230 °C
- Net volume 50 litres

Heating methods

Hot air + 100 % humidity.

Hot air + 80 % humidity.

Hot air + 60 % humidity.

Hot air + 30 % humidity.

Hot air + 0 % humidity.

Low temperature cooking.

Sous-vide cooking.

Full surface grill level 1 + humidity.

Full surface grill level 2 + humidity.

Full surface grill + circulated air.

Dough proofing.

Defrosting.

Regenerating.

Handling

Rotary knob and TFT touch display operation.

Clear text display.

Option to save individual recipes (incl. core temperature probe).

Personalisation of automatic programmes.

Information key with use indicators.

Side-opening door opens up to 110° angle.

Features

Full surface grill 2 kW.

Steam removal.

Misting.

Three-point core temperature probe with automatic shut-off and estimation of cooking time.

Automatic programmes.

Actual temperature display.

Timer functions: cooking time, cooking time end, timer, stopwatch, long-term timer (**certified by Star-K**).

Automatic boiling point detection.

LED light on the side.

Hygienic stainless steel cooking interior.

3 tray levels.

Home network integration for digital services (Home Connect) either via cable connection LAN (recommended) or wireless via WiFi.

The use of the Home Connect functionality depends on the Home Connect services, which are not available in every country.

GN 010 330

Adapter for gastronorm insert and roaster.

GN 114 130

Gastronorm insert, stainless steel,
GN 1/3

Unperforated, 40 mm deep, 1.5 l.

GN 114 230

Gastronorm insert, stainless steel,
GN 2/3

Unperforated, 40 mm deep, 3 l.

GN 124 130

Gastronorm insert, stainless steel,
GN 1/3

Perforated, 40 mm deep, 1.5 l.

GN 124 230

Gastronorm insert, stainless steel,
GN 2/3

Perforated, 40 mm deep, 3 l.

GN 340 230

Gastronorm roaster in cast aluminium.
GN 2/3, height 165 mm, non-stick.

For further information please check: home-connect.com.

Please read additional information on Home Connect on page 345.

Safety

Child lock.

Safety shut-off.

Cooled housing with temperature protection.

Cleaning

Cleaning programme, fully automatic.

Descaling programme for the steam generator.

Drying function.

Automatic drying of the cavity at the end of the cooking process.

Strainer filter, removable.

Demo cleaning programme.

Planning notes

Door hinge not reversible.

No other electrical appliances should be installed above the BS.

At no point may the outlet hose be positioned higher than the bottom edge of the appliance. The outlet hose must also be at least 100 mm lower than the appliance outlet (see drawing "drainage connection").

Inlet hose can be extended once.

The outlet hose must not be longer than a maximum of 5 m.

The water connection (1) for the inlet hose must always be accessible and not located directly behind the appliance.

The connection of the outlet hose to the siphon (2) must not be directly behind the appliance and should be accessible.

The descaling system GF 111 100 (3) may be installed when connecting the appliance if the water hardness exceeds 7° dH.

The door panel surface of the appliance extends 21 mm from the furniture cavity. The outer edge of the door handle extends 72 mm from the furniture cavity. Necessary lateral gap between appliance door and furniture panel of min. 5 mm.

Consider the overhang, incl. the door handle, when planning to open drawers next to the appliance.

When planning a corner solution, pay attention to the 110° door opening angle. The mains socket needs to be planned outside the built-in niche.

Special accessories (order as spare parts):

Part No. 17002490 Descaling tablets

Please read the installation details regarding oven combination on page 12 – 13.

Connection

Energy efficiency class A at a range of energy efficiency classes from A+++ to D.

Total connected load 3.15 kW.

Connecting cable 1.8 m with plug.

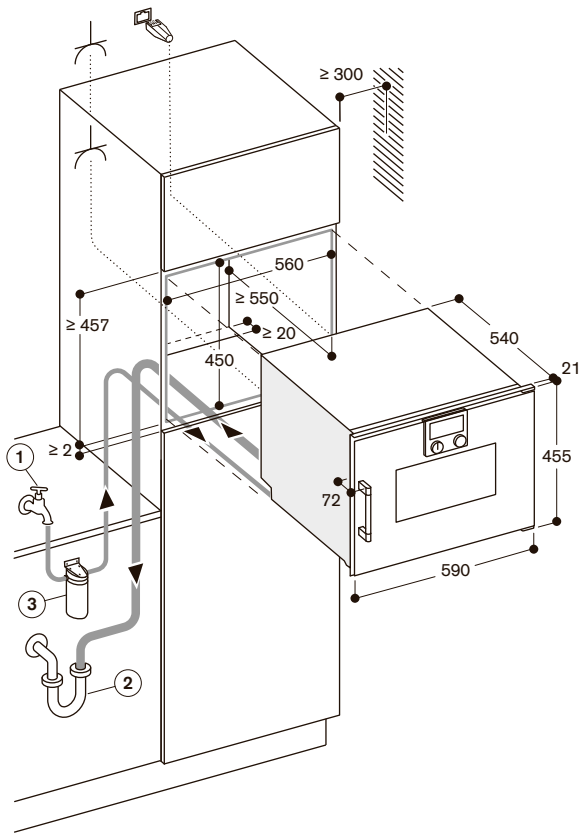
Plan a LAN cable.

Inlet hose 3,0 m with connection pipe thread ISO228-G 3/4" (Ø 26,4 mm) extendable.

Outlet hose (Ø 25 mm) 3,0 m (HT-Hose).



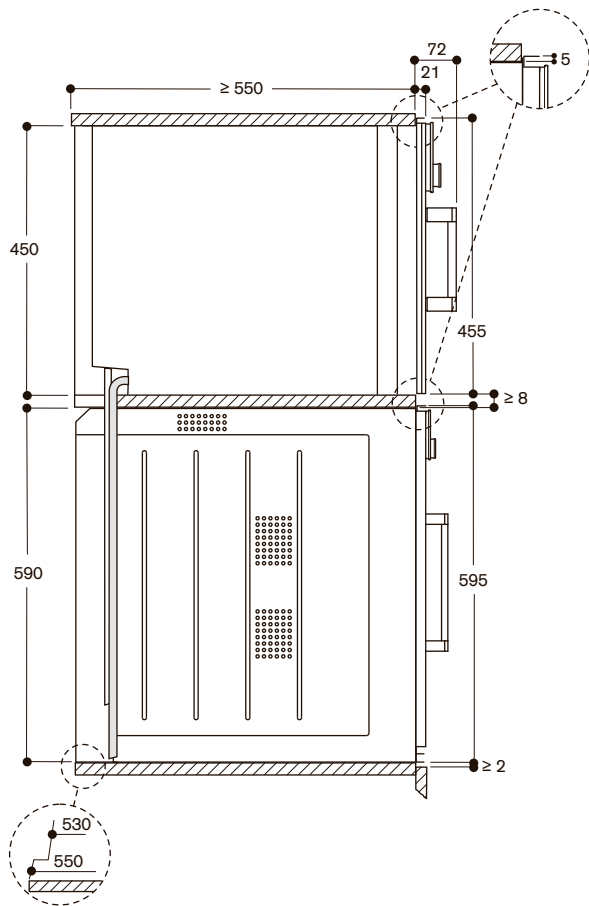
*Energy efficiency class: at a range of energy efficiency classes from A+++ to D.



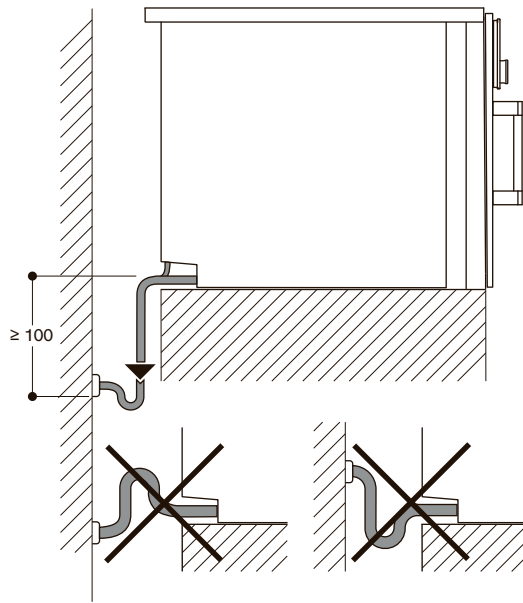
⌘ Socket

measurements in mm

Side view of BSP 260/270 above BOP

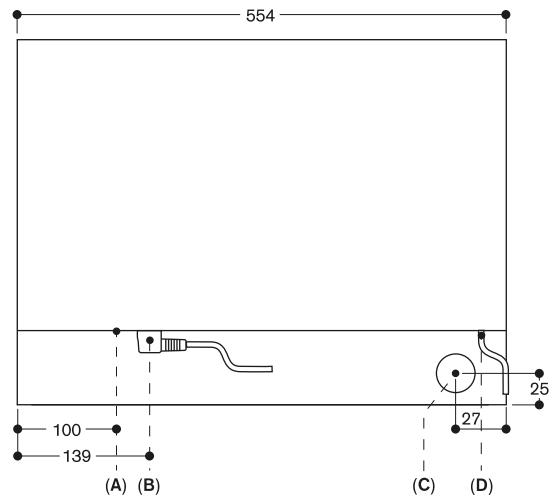


measurements in mm



measurements in mm

View from rear



- A: LAN connection
- B: Electric terminal box
- C: Water outlet
- D: Cold water inlet

measurements in mm



Controls at the top

Right-hinged

BSP 260 101

Full glass door in Gaggenau Anthracite
Width 60 cm

BSP 260 111

Full glass door in Gaggenau Metallic
Width 60 cm

BSP 260 131

Full glass door in Gaggenau Silver
Width 60 cm

Left-hinged

BSP 261 101

Full glass door in Gaggenau Anthracite
Width 60 cm

BSP 261 111

Full glass door in Gaggenau Metallic
Width 60 cm

BSP 261 131

Full glass door in Gaggenau Silver
Width 60 cm



Included in the price

- 1 cooking container, stainless steel, perforated
- 1 cooking container, stainless steel, unperforated
- 1 wire rack
- 1 plug-in core temperature probe
- 1 outlet hose (3 m long)
- 1 water inlet hose (3 m long)

Installation accessories

GF 111 100

Water descaling system

GF 121 110

Filter cartridge

GZ 010 011

Extension for water inlet and outlet
(2 m long)

Special accessories

BA 010 301

Triple telescopic pull-out rack
For combi-steam oven.

BA 020 361

Cooking container, stainless steel,
unperforated, 46 mm deep, 5.4 l.

BA 020 370

Cooking container, stainless steel,
perforated, 40 mm deep, 5 l.

BA 020 381

Cooking container, non-stick,
unperforated, 46 mm deep, 5.4 l.

BA 020 390

Insert, non-stick, perforated, 40 mm
deep, 5 l.

BA 046 117

Glass tray
24 mm deep.

GN 010 330

Adapter for gastronorm insert and
roaster.

Combi-steam oven 200 series

BSP 260/BSP 261

- Flush installation
- Fixed inlet and outlet water connection
- Large cavity
- LED light source
- External steam generation
- Steaming without pressure
- Hot air 30 °C to 230 °C can be combined with chosen humidity level of 0%, 30%, 60%, 80% or 100%
- Sous-vide cooking with accurate temperature regulation
- Full surface grill combinable with circulated air up to 230 °C and steam
- Automatic programmes
- Core temperature probe with estimation of cooking time
- Hot air fan rotates in both directions for ideal heat distribution
- TFT touch display
- Panel-free appliance with surface control module
- Electronic temperature control from 30 °C bis 230 °C
- Net volume 50 litres

Heating methods

Hot air + 100 % humidity.

Hot air + 80 % humidity.

Hot air + 60 % humidity.

Hot air + 30 % humidity.

Hot air + 0 % humidity.

Low temperature cooking.

Sous-vide cooking.

Full surface grill level 1 + humidity.

Full surface grill level 2 + humidity.

Full surface grill + circulated air.

Dough proofing.

Defrosting.

Regenerating.

Handling

Rotary knob and TFT touch display operation.

Clear text display.

Option to save individual recipes

(incl. core temperature probe).

Personalisation of automatic programmes.

Information key with use indicators.

Side-opening door opens up to

110° angle.

Features

Full surface grill 2 kW.

Steam removal.

Misting.

Three-point core temperature probe with automatic shut-off and estimation of cooking time.

Automatic programmes.

Actual temperature display.

Timer functions: cooking time, cooking time end, timer, stopwatch, long-term timer (**certified by Star-K**).

Automatic boiling point detection.

LED light on the side.

Hygienic stainless steel cooking interior.

3 tray levels.

Home network integration for digital services (Home Connect) either via cable connection LAN (recommended) or wireless via WiFi.

The use of the Home Connect functionality depends on the Home Connect services, which are not available in every country.

GN 114 130

Gastronorm insert, stainless steel,
GN 1/3

Unperforated, 40 mm deep, 1.5 l.

GN 114 230

Gastronorm insert, stainless steel,
GN 2/3

Unperforated, 40 mm deep, 3 l.

GN 124 130

Gastronorm insert, stainless steel,
GN 1/3

Perforated, 40 mm deep, 1.5 l.

GN 124 230

Gastronorm insert, stainless steel,
GN 2/3

Perforated, 40 mm deep, 3 l.

GN 340 230

Gastronorm roaster in cast aluminium.

GN 2/3, height 165 mm, non-stick.

For further information please check:
home-connect.com.

Please read additional information on
Home Connect on page 345.

Safety

Child lock.

Safety shut-off.

Cooled housing with temperature protection.

Cleaning

Cleaning aid.

Descaling programme for the steam generator.

Drying function.

Automatic drying of the cavity at the end of the cooking process.

Grease filter, dishwasher-safe.

Strainer filter, removable.

Planning notes

Door hinge not reversible.

No other electrical appliances should be installed above the BS.

At no point may the outlet hose be positioned higher than the bottom edge of the appliance. The outlet hose must also be at least 100 mm lower than the appliance outlet (see drawing "drainage connection").

Inlet hose can be extended once.

The outlet hose must not be longer than a maximum of 5 m.

The water connection (1) for the inlet hose must always be accessible and not located directly behind the appliance.

The connection of the outlet hose to the siphon (2) must not be directly behind the appliance and should be accessible.

The descaling system GF 111 100 (3) may be installed when connecting the appliance if the water hardness exceeds 7° dH.

The door panel surface of the appliance extends 21 mm from the furniture cavity.

The outer edge of the door handle extends 72 mm from the furniture cavity.

Necessary lateral gap between appliance door and furniture panel of min. 5 mm.

Consider the overhang, incl. the door handle, when planning to open drawers next to the appliance.

When planning a corner solution, pay attention to the 110° door opening angle.

The mains socket needs to be planned outside the built-in niche.

Special accessories (order as spare parts):

Part No. 17002490 Descaling tablets

Please read the installation details regarding oven combination on page 12 – 13.

Connection

Energy efficiency class A at a range of energy efficiency classes from A+++ to D.

Total connected load 3.15 kW.

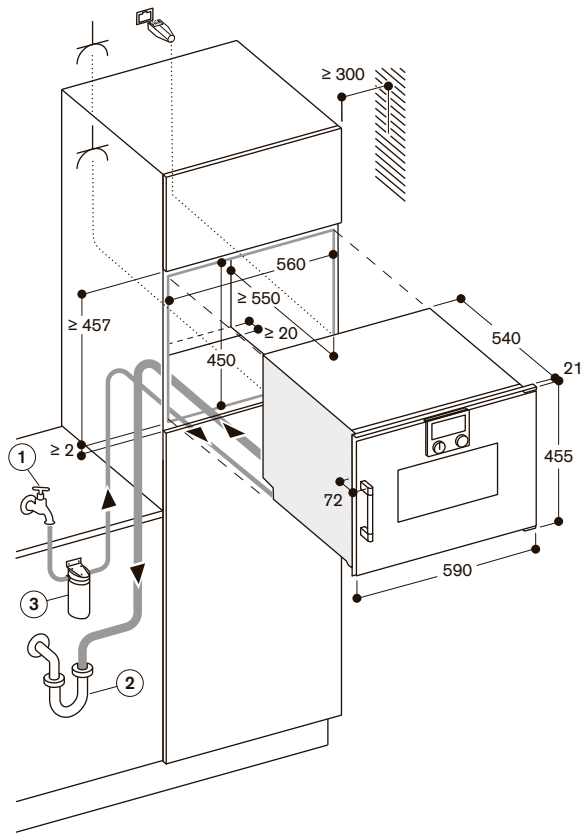
Connecting cable 1.8 m with plug.

Plan a LAN cable.

Inlet hose 3,0 m with connection pipe thread ISO228-G 3/4" (Ø 26,4 mm) extendable.

Outlet hose (Ø 25 mm) 3,0 m (HT-Hose).

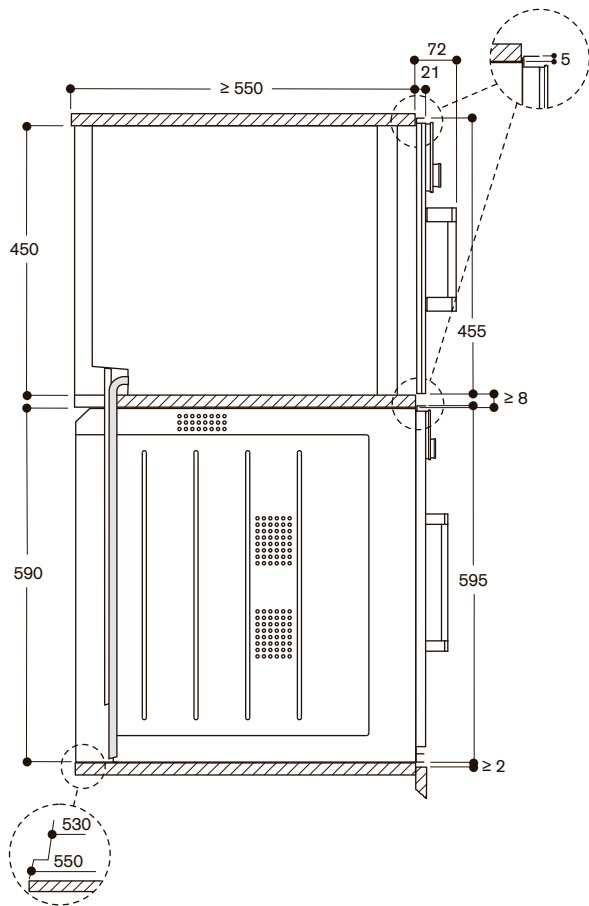




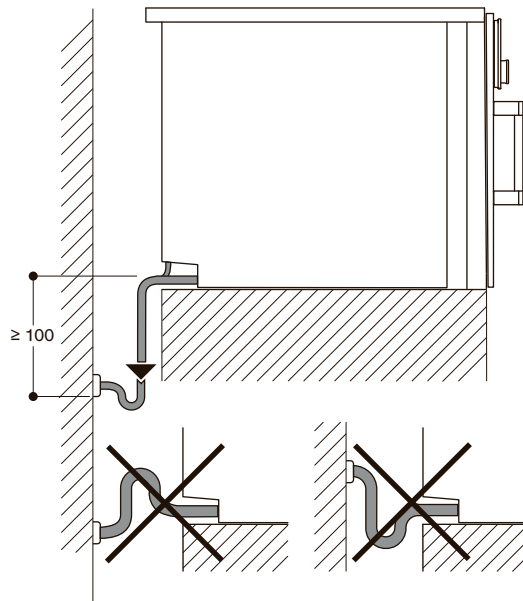
⌘ Socket

measurements in mm

Side view of BSP 260/270 above BOP

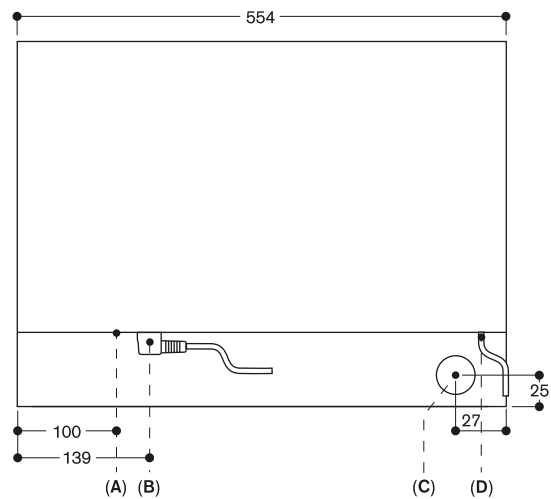


measurements in mm



measurements in mm

View from rear



- A: LAN connection
- B: Electric terminal box
- C: Water outlet
- D: Cold water inlet

measurements in mm



Controls at the top

Right-hinged

BSP 250 101

Full glass door in Gaggenau Anthracite
Width 60 cm

BSP 250 111

Full glass door in Gaggenau Metallic
Width 60 cm

BSP 250 131

Full glass door in Gaggenau Silver
Width 60 cm

Left-hinged

BSP 251 101

Full glass door in Gaggenau Anthracite
Width 60 cm

BSP 251 111

Full glass door in Gaggenau Metallic
Width 60 cm

BSP 251 131

Full glass door in Gaggenau Silver
Width 60 cm



Included in the price

- 1 cooking container, stainless steel, perforated
- 1 cooking container, stainless steel, unperforated
- 1 wire rack
- 1 plug-in core temperature probe

Special accessories

BA 010 301

Triple telescopic pull-out rack
For combi-steam oven.

BA 020 361

Cooking container, stainless steel, unperforated, 46 mm deep, 5.4l.

BA 020 370

Cooking container, stainless steel, perforated, 40 mm deep, 5l.

BA 020 381

Cooking container, non-stick, unperforated, 46 mm deep, 5.4l.

BA 020 390

Insert, non-stick, perforated, 40 mm deep, 5l.

BA 046 117

Glass tray
24 mm deep.

GN 010 330

Adapter for gastronorm insert and roaster.

GN 114 130

Gastronorm insert, stainless steel, GN 1/3
Unperforated, 40 mm deep, 1.5l.

GN 114 230

Gastronorm insert, stainless steel, GN 2/3
Unperforated, 40 mm deep, 3l.

GN 124 130

Gastronorm insert, stainless steel, GN 1/3
Perforated, 40 mm deep, 1.5l.

Combi-steam oven 200 series

BSP 250/BSP 251

- Flush installation
- Water tank for fresh and waste water
- Large cavity
- LED light source
- External steam generation
- Steaming without pressure
- Hot air 30 °C to 230 °C can be combined with chosen humidity level of 0%, 30%, 60%, 80% or 100%
- Sous-vide cooking with accurate temperature regulation
- Full surface grill combinable with circulated air up to 230 °C and steam
- Automatic programmes
- Core temperature probe with estimation of cooking time
- Hot air fan rotates in both directions for ideal heat distribution
- TFT touch display
- Panel-free appliance with surface control module
- Electronic temperature control from 30 °C bis 230 °C
- Net volume 50 litres

Heating methods

Hot air + 100 % humidity.

Hot air + 80 % humidity.

Hot air + 60 % humidity.

Hot air + 30 % humidity.

Hot air + 0 % humidity.

Low temperature cooking.

Sous-vide cooking.

Full surface grill level 1 + humidity.

Full surface grill level 2 + humidity.

Full surface grill + circulated air.

Dough proofing.

Defrosting.

Regenerating.

Handling

Rotary knob and TFT touch display operation.

Clear text display.

Option to save individual recipes (incl. core temperature probe).

Personalisation of automatic programmes.

Information key with use indicators.

Side-opening door opens up to 110° angle.

Features

Full surface grill 2 kW.

2 removable 1.7 litre water tanks.

Water level warning.

Three-point core temperature probe with automatic shut-off and estimation of cooking time.

Automatic programmes.

Actual temperature display.

Timer functions: cooking time, cooking time end, timer, stopwatch, long-term timer (**certified by Star-K**).

Automatic boiling point detection.

LED light on the side.

Hygienic stainless steel cooking interior. 3 tray levels.

Home network integration for digital services (Home Connect) either via cable connection LAN (recommended) or wireless via WiFi.

The use of the Home Connect functionality depends on the Home Connect services, which are not available in every country.

GN 124 230

Gastronorm insert, stainless steel, GN 2/3

Perforated, 40 mm deep, 3l.

GN 340 230

Gastronorm roaster in cast aluminium. GN 2/3, height 165 mm, non-stick.

For further information please check: home-connect.com.

Please read additional information on Home Connect on page 345.

Safety

Child lock.

Safety shut-off.

Cooled housing with temperature protection.

Cleaning

Cleaning aid.

Descaling programme for the steam generator.

Drying function.

Automatic drying of the cavity at the end of the cooking process.

Water tank, dishwasher-safe.

Grease filter, dishwasher-safe.

Strainer filter, removable.

Planning notes

Door hinge not reversible.

No other electrical appliances should be installed above the BS.

The door panel surface of the appliance extends 21 mm from the furniture cavity.

The outer edge of the door handle extends 72 mm from the furniture cavity.

Necessary lateral gap between appliance door and furniture panel of min. 5 mm.

Consider the overhang, incl. the door handle, when planning to open drawers next to the appliance.

When planning a corner solution, pay attention to the 110° door opening angle.

The mains socket needs to be planned outside the built-in niche.

The LAN port can be found at the back on the lower left side.

Special accessories (order as spare parts):

Part No. 17002490 Descaling tablets

Please read the installation details regarding oven combination on page 12 – 13.

Connection

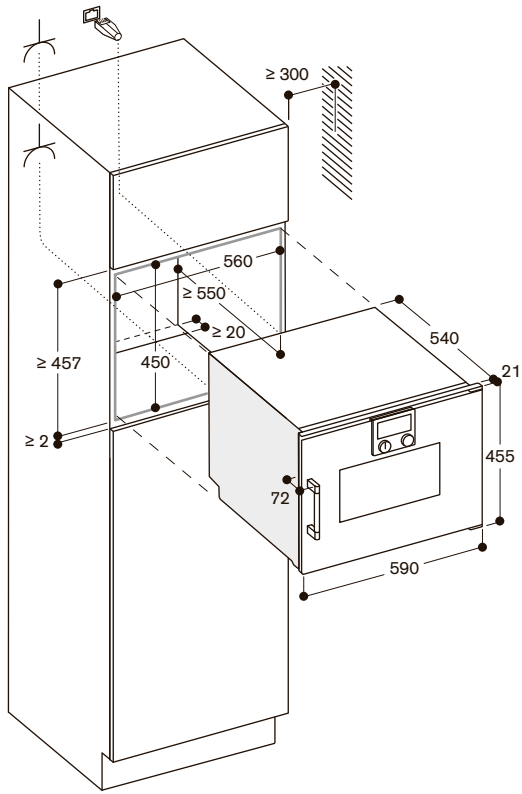
Energy efficiency class A at a range of energy efficiency classes from A+++ to D.

Total connected load 3.15 kW.

Connecting cable 1.8 m with plug.

Plan a LAN cable.

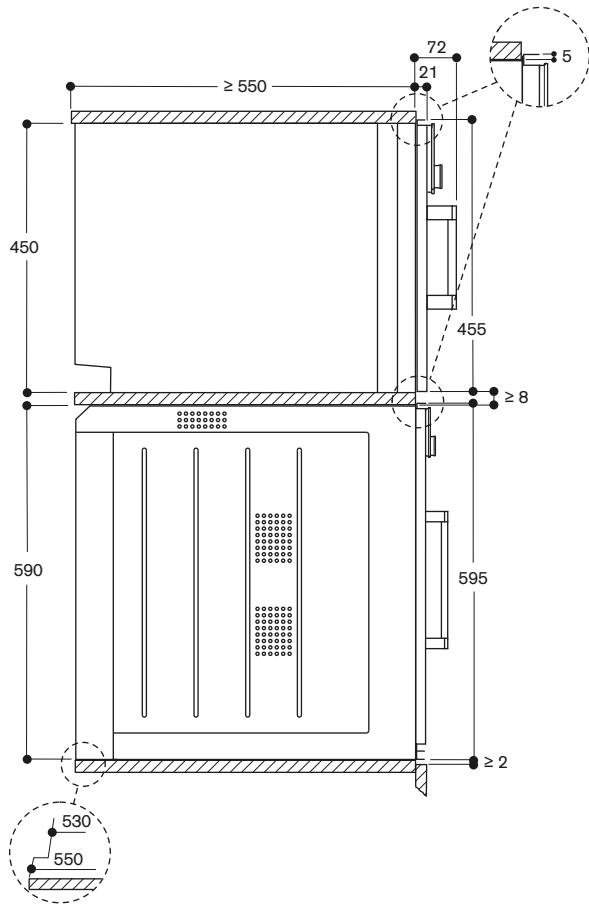




Socket

measurements in mm

Side view of BSP 220/250 above BOP



measurements in mm



Controls at the top

Right-hinged

BSP 220 101

Full glass door in Gaggenau Anthracite
Width 60 cm

BSP 220 111

Full glass door in Gaggenau Metallic
Width 60 cm

BSP 220 131

Full glass door in Gaggenau Silver
Width 60 cm

Left-hinged

BSP 221 101

Full glass door in Gaggenau Anthracite
Width 60 cm

BSP 221 111

Full glass door in Gaggenau Metallic
Width 60 cm

BSP 221 131

Full glass door in Gaggenau Silver
Width 60 cm

Included in the price

- 1 cooking container, stainless steel, perforated
- 1 cooking container, stainless steel, unperforated
- 1 wire rack

Special accessories

BA 220 360

Cooking container, stainless steel, unperforated, 35 mm deep, 5l.

BA 220 370

Cooking container, stainless steel, perforated, 35 mm deep, 5l.

BA 046 117

Glass tray
24 mm deep.

CL S30 040

Descaling tablets, set of 4.

For combi-steam ovens and steam ovens.

GN 114 130

Gastronorm insert, stainless steel, GN 1/3

Unperforated, 40 mm deep, 1.5l.

GN 114 230

Gastronorm insert, stainless steel, GN 2/3

Unperforated, 40 mm deep, 3l.

GN 124 130

Gastronorm insert, stainless steel, GN 1/3

Perforated, 40 mm deep, 1.5l.

GN 124 230

Gastronorm insert, stainless steel, GN 2/3

Perforated, 40 mm deep, 3l.

Steam oven 200 Series

BSP 220/BSP 221

- Flush installation
- Water tank
- Large cavity
- LED light source
- External steam generation
- Steaming without pressure with 100% humidity from 30 °C to 100 °C
- Sous-vide cooking with accurate temperature regulation
- TFT touch display
- Panel-free appliance with surface control module
- Electronic temperature control from 30 °C bis 100 °C
- Net volume 59 litres

Heating methods

100 % humidity.

Sous-vide cooking.

Dough proofing.

Defrosting.

Regenerating.

Low temperature steaming.

Handling

Rotary knob and TFT touch display operation.

Clear text display.

Information key with use indicators.

Side-opening door opens up to

110° angle.

Features

Removable 1.7 litre water tank.

Water level warning.

Actual temperature display.

Timer functions: cooking time, cooking

time end, timer, stopwatch, long-term

timer (**certified by Star-K**).

Automatic boiling point detection.

LED light on the side.

Hygienic stainless steel cooking interior.

3 tray levels.

Home network integration for digital services (Home Connect) either via cable connection LAN (recommended) or wireless via WiFi.

The use of the Home Connect functionality depends on the Home Connect services, which are not available in every country. For further information please check: home-connect.com.

Please read additional information on Home Connect on page 345.

Safety

Child lock.

Safety shut-off.

Cooled housing with temperature protection.

Cleaning

Cleaning aid.

Descaling programme for the steam generator.

Planning notes

Door hinge not reversible.

No other electrical appliances should be installed above the BS.

The door panel surface of the appliance extends 21 mm from the furniture cavity.

The outer edge of the door handle extends 72 mm from the furniture cavity.

Necessary lateral gap between appliance door and furniture panel of min. 5 mm.

Consider the overhang, incl. the door handle, when planning to open drawers next to the appliance.

When planning a corner solution, pay attention to the 110° door opening angle.

The mains socket needs to be planned outside the built-in niche.

The LAN port can be found at the back on the lower left side.

Special accessories (order as spare parts):

Part No. 17002490 Descaling tablets

Please read the installation details regarding oven combination on page 12 – 13.

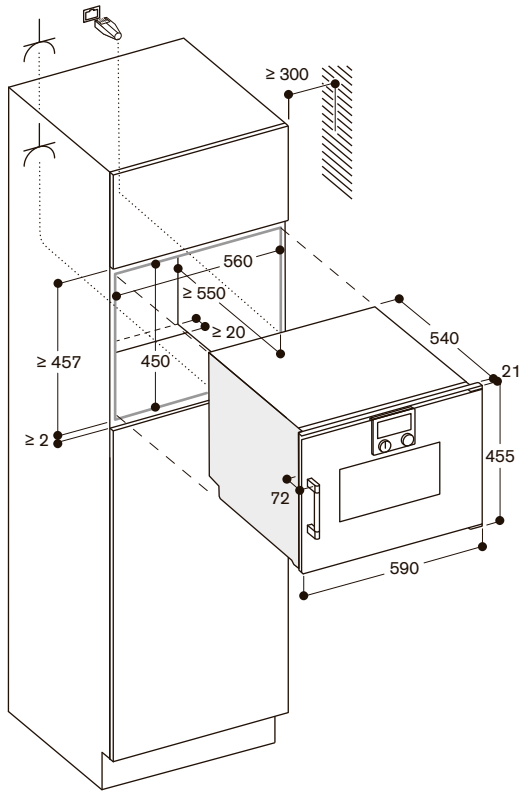
Connection

Total connected load 2.75 kW.

Connecting cable 1.8 m with plug.

Plan a LAN cable.

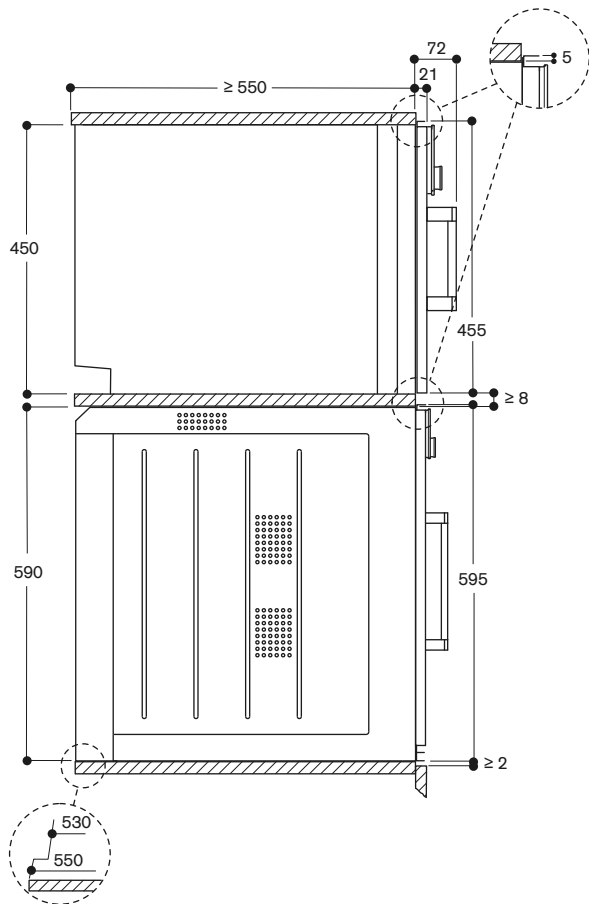




Socket

measurements in mm

Side view of BSP 220/250 above BOP



measurements in mm



Controls at the top

Right-hinged

BMP 250 100

Full glass door in Gaggenau Anthracite
Width 60 cm

BMP 250 110

Full glass door in Gaggenau Metallic
Width 60 cm

BMP 250 130

Full glass door in Gaggenau Silver
Width 60 cm

Left-hinged

BMP 251 100

Full glass door in Gaggenau Anthracite
Width 60 cm

BMP 251 110

Full glass door in Gaggenau Metallic
Width 60 cm

BMP 251 130

Full glass door in Gaggenau Silver
Width 60 cm

Included in the price

- 1 combination wire rack
- 1 glass tub

Combi-microwave oven 200 series

BMP 250/BMP 251

- Flush installation
- Single operation and combination of microwave, grill and oven
- Sequential operation of up to 5 modes incl. programming of combined operation and rest time
- TFT touch display
- Panel-free appliance with surface control module
- Electronic temperature control
- Interior volume 36 litres

Programmes

Microwave operation with 5 output levels: 1000, 600, 360, 180, 90 W.
Oven operation with 4 heating methods: Hot air 40 °C and from 100 °C to 250 °C, Full surface grill + hot air from 100 °C to 250 °C,
Full surface grill + circulated air from 100 °C to 250 °C,
Full surface grill with 3 levels of intensity, maximum output 2000 W.
Heating methods with microwave output levels 600, 360, 180 and 90 W freely combinable.
15 automatic programmes with weight indication, customisable:
4 defrosting programmes
4 cooking programmes
7 combination programmes
Option to save individual recipes.

Handling

Rotary knob and TFT touch display operation.
Clear text display.
Information key with use indicators.
Side-opening door opens up to 110° angle.

Features

Innowave.
Rapid heating.
4 tray levels.
Actual temperature display.
60 W halogen light on the side.
Timer functions: cooking time, cooking time end, timer, stopwatch, long-term timer (**certified by Star-K**).

Safety

Thermally insulated door with triple glazing.
Triple door lock.
Child lock.
Safety shut-off.
Cooled housing with temperature protection.

Cleaning

Hygienic stainless steel interior with glass ceramic base.
Interior back wall with catalytic coating.

Planning notes

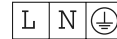
Door hinge not reversible.
Plan the niche without back wall.
Necessary lateral gap between appliance door and furniture panel of min. 5 mm.
The door panel surface of the appliance extends 21 mm from the furniture cavity.
The outer edge of the door handle extends 72 mm from the furniture cavity.
Consider the overhang, incl. the door handle, when planning to open drawers next to the appliance.

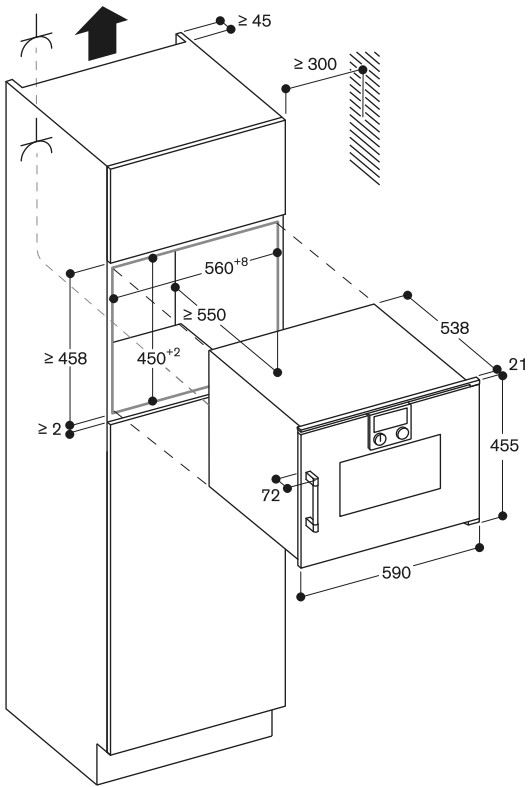
When planning a corner solution, pay attention to the 110° door opening angle. The mains socket needs to be planned outside of the built-in niche.

Please read the installation details regarding oven combination on page 12 – 13.

Connection

Total connected load 3.1 kW.
Connection cable 1.5 m without plug.

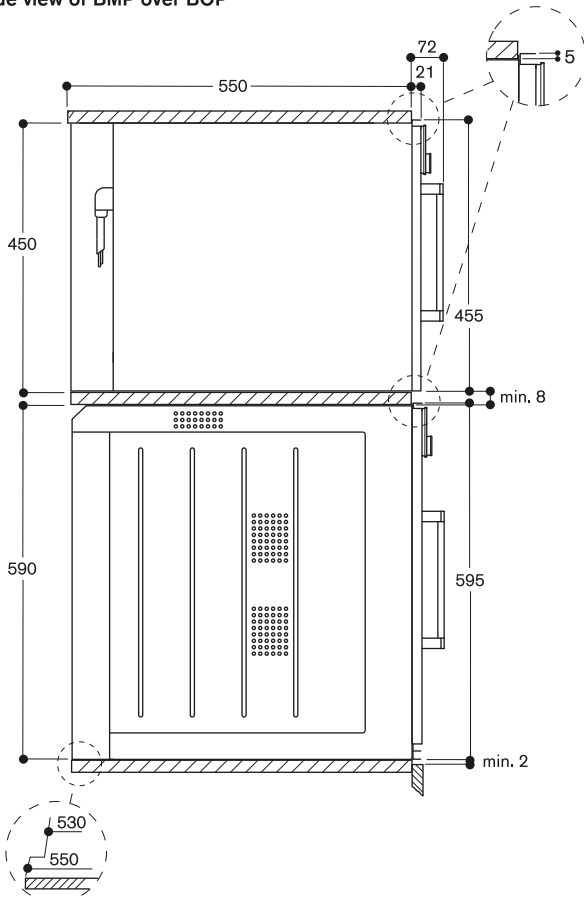




 Socket

measurements in mm

Side view of BMP over BOP





Controls at the bottom

Right-hinged

BMP 224 100

Full glass door in Gaggenau Anthracite
Width 60 cm

BMP 224 110

Full glass door in Gaggenau Metallic
Width 60 cm

BMP 224 130

Full glass door in Gaggenau Silver
Width 60 cm

Left-hinged

BMP 225 100

Full glass door in Gaggenau Anthracite
Width 60 cm

BMP 225 110

Full glass door in Gaggenau Metallic
Width 60 cm

BMP 225 130

Full glass door in Gaggenau Silver
Width 60 cm

Included in the price

- 1 glass tray
- 1 wire rack

Microwave oven 200 series

BMP 224/BMP 225

- Flush installation
- Handleless door / automatic door opening
- Single operation and combination of microwave and grill
- Sequential operation of up to 5 modes incl. programming of combined operation and rest time
- TFT touch display
- Electronic temperature control
- Interior volume 21 litres

Programmes

Microwave operation with 5 output levels: 900, 600, 360, 180, 90 W.
Full surface grill with 3 levels of intensity, maximum output 1300 W.
Full surface grill with microwave output levels 360, 180 and 90 W combinable.
10 automatic programmes with weight indication:
3 defrosting programmes
4 cooking programmes
3 combination programmes
Option to save individual recipes.

Handling

Automatic door opening.
Rotary knob and TFT touch display operation.
Clear text display.
Information key with use indicators.
Side-opening door opens up to 110° angle.

Features

Innowave.
Actual temperature display.
25 W interior light.
Hygienic stainless steel interior with glass ceramic base.

Safety

Thermally insulated door with double glazing.
Triple door lock.
Child lock.
Safety shut-off.
Cooled housing with temperature protection.

Planning notes

Door hinge not reversible.
Minimum installation height 85 cm (top edge of niche bottom).
Height-adjustable feet.
Installation of BMP above BOP with intermediate shelf.
Necessary lateral gap between appliance door and furniture panel of min. 5 mm.
The door panel surface of the appliance extends 21 mm from the furniture cavity.
When planning a corner solution, pay attention to the 90° door opening angle.

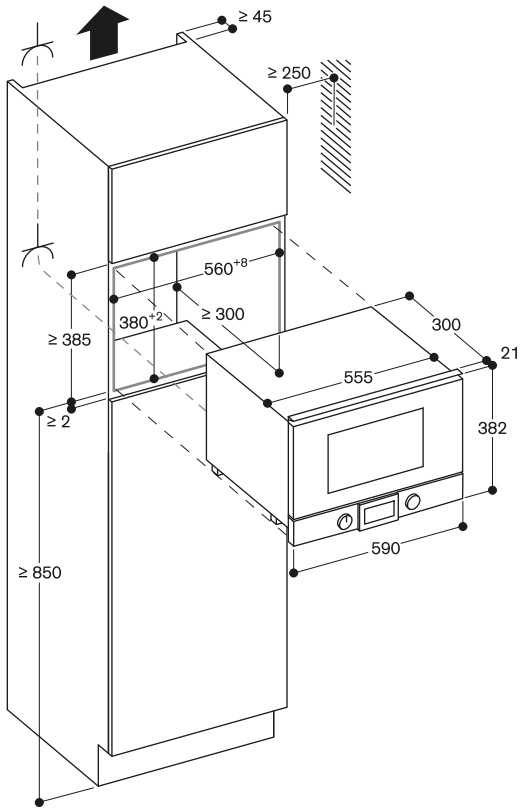
Please read the installation details regarding oven combination on page 12 – 13.

Connection

Total connected load 2.0 kW.
Connection cable 1.7 m, pluggable.



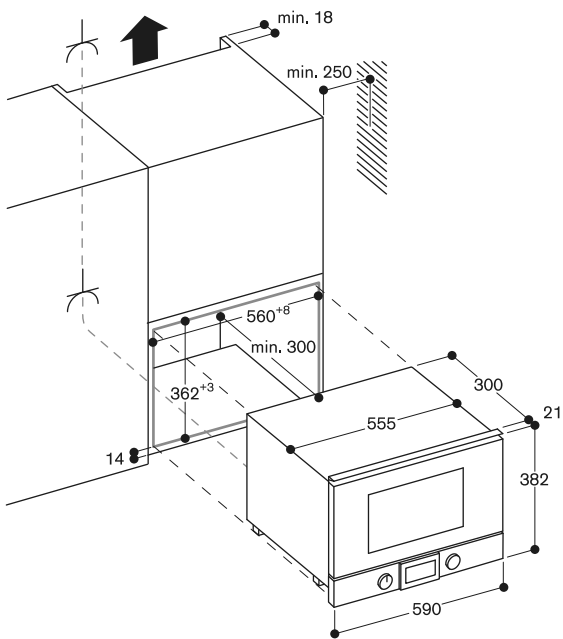
Installation in a tall cupboard



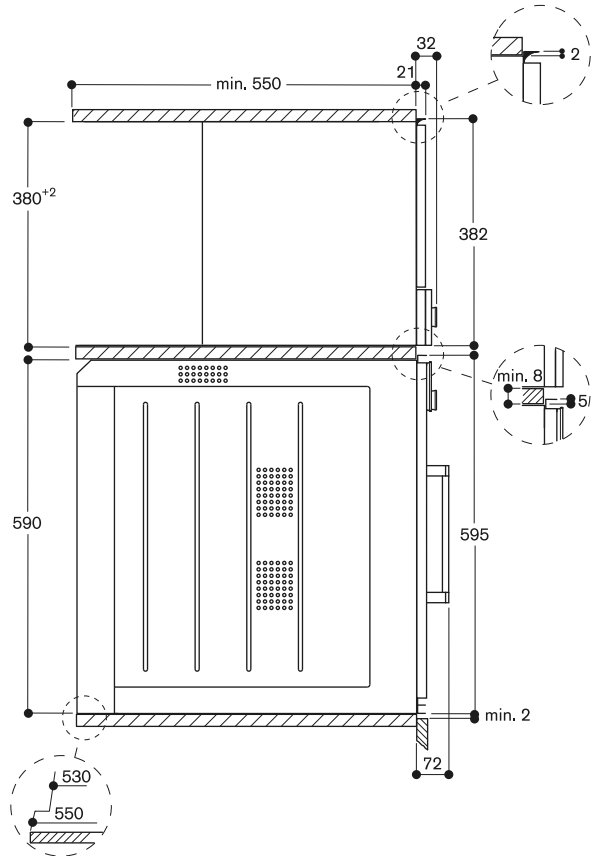
Socket

measurements in mm

Installation in a wall-hanging cupboard



Side view of BMP 224/225 over BOP





Controls at the top

Left-hinged

CMP 250 102

Full glass door in Gaggenau Anthracite
Width 60 cm

CMP 250 112

Full glass door in Gaggenau Metallic
Width 60 cm

CMP 250 132

Full glass door in Gaggenau Silver
Width 60 cm

Included in the price

- 1 assembly screws
- 1 scoop
- 1 test strip
- 1 milk container (insulated)
- 1 connection hose for milk frother
- 1 milk pipe

Fully automatic espresso machine 200 series CMP 250

- Handleless door / cushioned door closing system
- Continuous flow heater means no waiting time and constant brewing temperature
- Aroma brewing technology for a full aroma
- Single portion cleaning
- TFT touch display
- Panel-free appliance with surface control module
- One-touch operation
- Personalisation function
- 7 light settings
- Electronic fill level control for milk, water and coffee to ensure a perfect result

Type of beverage

Ristretto / 2 x Ristretto.
Espresso / 2 x Espresso.
Espresso Macchiato / 2 x Espresso Macchiato.
Coffee / 2 x Coffee.
Americano / 2 x Americano.
Caffe Latte / 2 x Caffe Latte.
Latte Macchiato / 2 x Latte Macchiato.
Cappuccino / 2 x Cappuccino.
Flat White / 2 x Flat White.
Milk froth / 2 x Milk froth.
Warm milk / 2 x Warm milk.
Hot water / 2 x Hot water.

Handling

Door with cushioned door closing system.
Rotary knob and TFT touch display operation.
Clear text display.
Personalisation function, option to save 8 individualised beverages.
4 beverage size settings, volume can be individually adjusted to match the size of the cup.
8 coffee strength levels from very mild to extra strong.
3 coffee temperature levels.
10 hot water temperature levels.
4 coffee-milk ratio levels.
Adjustable grinding level.
Height-adjustable coffee dispenser 7 cm to 15 cm.
Easy access to water tank, milk and coffee bean container behind the door.

Features

Maintenance-free grinding unit with ceramic discs.
Separate drawer for second ground coffee type.
Water pump with 19 bar pressure.
Double grinding and brewing cycles for extra intensity for single beverage order.
For double beverage order, two grinding and brewing cycles.
Beverage dispenser with integrated milk system.
Insulated stainless steel milk container for up to 0.5 litres.
Integrated lighting with LEDs.
Removable bean container with aroma protecting lid for 500 g allows for an effortless exchange of different types of coffee beans.
Automatic adjustment of ground coffee quantity.
Removable 2.4 litre water tank.

Electronic water filter exchange indicator.
Electronic fill level control for drip tray and container for coffee residue.

Home network integration for digital services (Home Connect) either via cable connection LAN (recommended) or wireless via WiFi.

The use of the Home Connect functionality depends on the Home Connect services, which are not available in every country. For further information please check: home-connect.com.

Please read additional information on Home Connect on page 345.

Safety

Child lock.

Cleaning

Fully automatic rinse programme when machine is turned on/off.
Automatic steam cleaning of the milk system after every beverage.
Automatic cleaning and descaling programme.
Emptying programme to prepare the appliance for holiday or transportation.
Empty-grinding function to remove coffee residues from the system when switching bean types.
Removable brewing unit.
Dishwasher-safe coffee residue container and drip tray.
Dishwasher-safe beverage dispenser.

Planning notes

Ideal installation height 95 cm to 145 cm (top edge of niche bottom).
Necessary lateral gap between appliance front and furniture panel of min. 5 mm.
The door panel surface of the appliance extends 21 mm from the furniture cavity.
When installing in a corner a side clearance is required.
Door opening angle appr. 110° (delivery status) - mounting distance to the wall has to be at least 350 mm.
Door opening angle appr. 155° - mounting distance to the wall has to be at least 650 mm.
Door opening angle appr. 92° - mounting distance to the wall has to be at least 100 mm (spare part No. 00636455).
Installation directly above 14 cm high warming drawer in 59 cm standardised niche.
The LAN port can be found at the back on the lower right side.

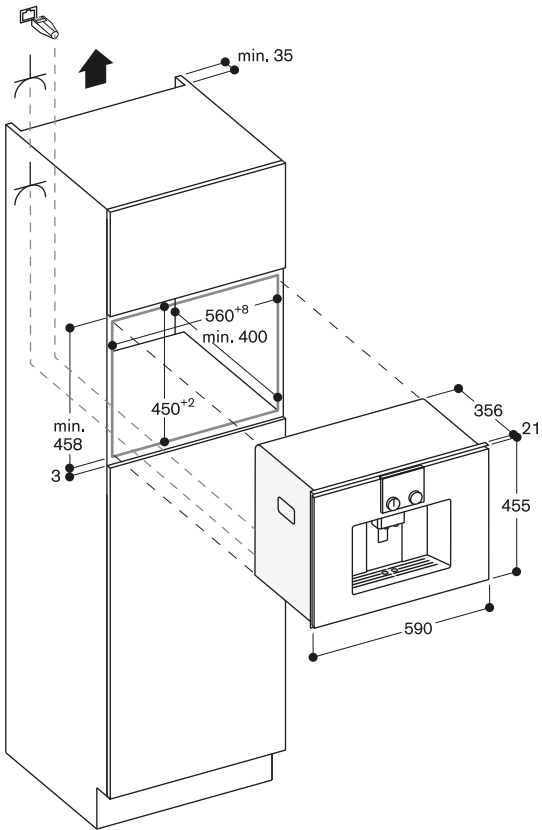
Special accessories (order as spare parts):

Part No. 17000705 Water filter
Part No. 00311819 Descaling tablets
Part No. 00311769 Cleaning tablets
Part No. 00636455 Door hinge restrictor (92° opening angle)
Part No. 11015223 Bean container with lid

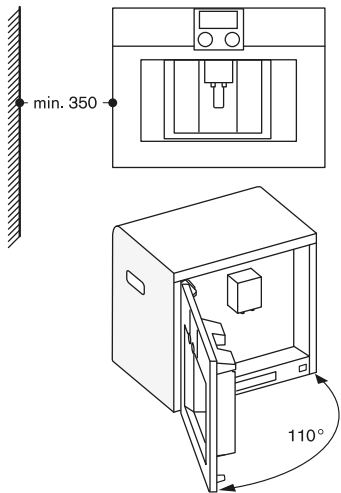
Please read the installation details regarding oven combination on page 12 – 13.

Connection

Total connected load 1.6 kW.
Connection cable 1.7 m with plug.
Plan a LAN cable.



Left corner installation



If using the 92° door hinge restrictor (spare part no. 00636455), the minimum distance from the wall is only 100 mm.



DVP 221 100

Glass front in Gaggenau Anthracite
Width 60 cm, Height 14 cm

DVP 221 110

Glass front in Gaggenau Metallic
Width 60 cm, Height 14 cm

DVP 221 130

Glass front in Gaggenau Silver
Width 60 cm, Height 14 cm

Included in the price

- 50 vacuuming bags, small
- 50 vacuuming bags, big
- 1 raised vacuuming platform
- 1 adaptor f. vacuuming outside the chamber
- 1 vacuuming hose
- 1 adaptor for bottle plugs
- 3 plugs for vacuuming of bottles

Vacuating drawer 200 series

DVP 221

- Integrable in 14 cm high niche
- Hygienic stainless steel vacuuming chamber, applicable height up to 80 mm
- 3 vacuuming levels for vacuuming in the chamber, max. 99%
- 3 vacuuming levels for vacuuming outside the chamber, max. 90%
- Automatic connection recognition for vacuuming outside the chamber
- Flush installation
- Handleless drawer
- Push-to-open system

Application

Vacuating for sous-vide cooking.

Vacuating for fast marinating and flavouring.

Vacuating for extended storage.

Vacuating of vacuuming containers outside the chamber.

Vacuating of liquids in bottles outside the chamber.

Handling

Touch key operation.

Features

Net volume 7 litres.

Capacity load max. 10 kg.

Maximum size of vacuuming bags
W 240 mm x L 350 mm.

3 heat-sealing levels for different strengths of bag material.

Sealing bar, non-stick coating, removable.

Safety glass cover, opens automatically after vacuuming.

Raised vacuuming platform, 44 mm, deployable.

Utility space in vacuuming chamber,
W 210 mm x L 275 mm.

Membrane for avoiding reflow of liquids during vacuuming outside the chamber.

Drying programme for vacuuming pump.

Warning function.

Planning notes

Necessary lateral gap between appliance front and furniture panel of min. 5 mm.

The panel surface of the appliance extends 21 mm from the furniture cavity. Installation of BS/BM/CM directly above DV in 59 cm niche without intermediate floor.

Built-in under worktop or in single niche.

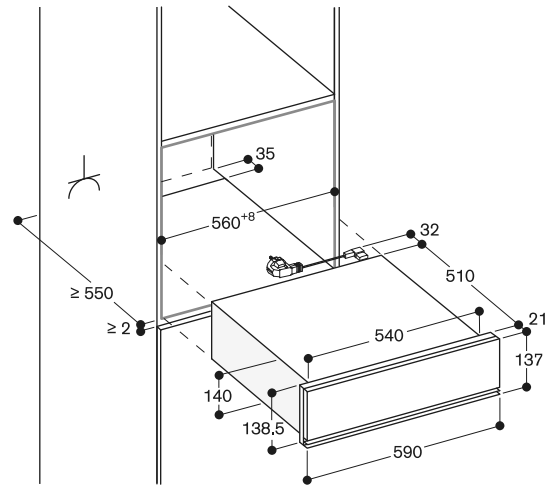
The socket can be planned behind the appliance.

Please read the installation details regarding oven combination on page 12 – 13.

Connection

Total connected load 0.32 kW.

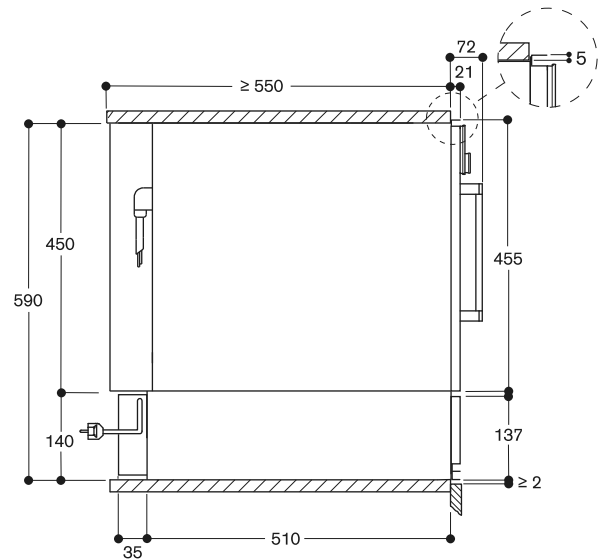
Connection cable 1.5 m, pluggable.



Socket

measurements in mm

Side view DVP 221 below BSP, BMP, CMP



measurements in mm

**WSP 221 102**

Glass front in Gaggenau Anthracite
Width 60 cm, Height 14 cm

WSP 221 112

Glass front in Gaggenau Metallic
Width 60 cm, Height 14 cm

WSP 221 132

Glass front in Gaggenau Silver
Width 60 cm, Height 14 cm

Culinary warming drawer 200 series**WSP 221**

- Flush installation
- Handleless drawer
- Push-to-open system
- Hygienic stainless steel interior with glass bottom
- Direct temperature selection in the range 30 °C to 80 °C (glass surface)
- For slow cooking, dough proofing, herbs and fruits drying, chocolate melting and defrosting

Heating methods

Slow cooking.
Keeping meals warm.
Warming ovenware.
Cups and plates warming.
Direct temperature control.
Personalisation function via Home Connect.
16 additional programs via Home Connect.

Handling

Touch key operation.

Features

Net volume 20 litres.
Volume capacity: Dinner service for 6 people including ø27 cm plates and soup bowls, additional bowls and a serving dish depending on size.
Capacity load max. 25 kg.
Usable interior dimensions W547 mm x H 91 mm x D 410 mm.
Heating under glass bottom for easy cleaning.
Heating system for even heat distribution and stable cavity temperature.
Status display, visible in the glass front.
Glass bottom made of safety glass.
Heating timer via Home Connect.
Specific recipes via Home Connect.
Long-term timer via Home Connect (certified by Star-K).

Home network integration for digital services (Home Connect) wireless via WiFi.

The use of the Home Connect functionality depends on the Home Connect services, which are not available in every country. For further information please check: home-connect.com.

Please read additional information on Home Connect on page 345.

Planning notes

Necessary lateral gap between appliance front and furniture panel of min. 5 mm.

The door panel surface of the appliance extends 21 mm from the furniture cavity.

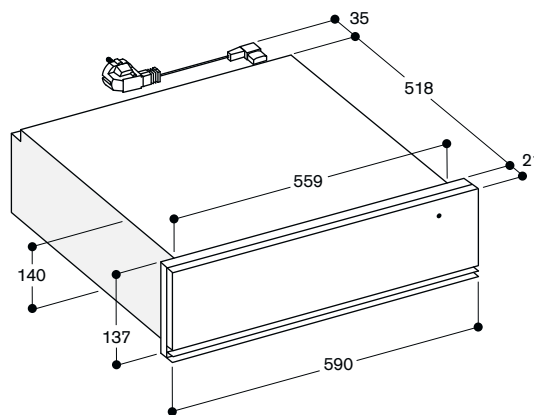
Installation of BSP/BMP/CMP directly above WSP in 59 cm niche without intermediate floor.

The socket can be planned behind the appliance.

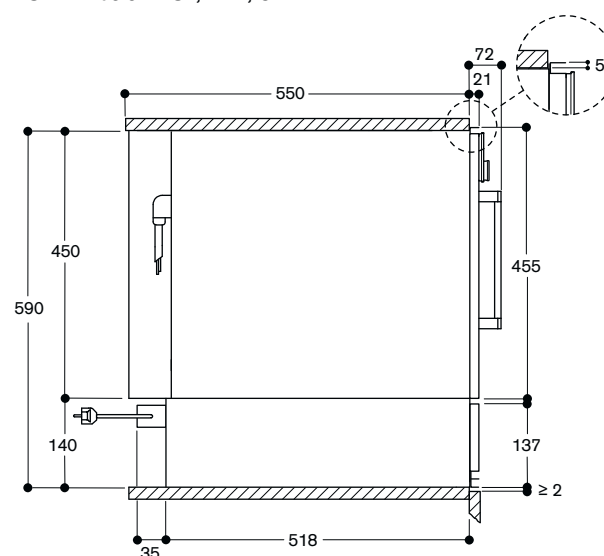
Please read the installation details regarding oven combination on page 12 – 13.

Connection

Total connected load 0.82 kW.
Connection cable 1.8 m, pluggable.



Measurements in mm

WSP 221 below BSP, BMP, CMP

Measurements in mm



WSP 222 102

Glass front in Gaggenau Anthracite
Width 60 cm, Height 29 cm

WSP 222 112

Glass front in Gaggenau Metallic
Width 60 cm, Height 29 cm

WSP 222 132

Glass front in Gaggenau Silver
Width 60 cm, Height 29 cm

Culinary warming drawer 200 series
WSP 222

- Flush installation
- Handleless drawer
- Push-to-open system
- Hygienic stainless steel interior with glass bottom
- Direct temperature selection in the range 30 °C to 80 °C (glass surface)
- For slow cooking, dough proofing, herbs and fruits drying, chocolate melting and defrosting

Heating methods

Slow cooking.
Keeping meals warm.
Warming ovenware.
Cups and plates warming.
Direct temperature control.
Personalisation function via Home Connect.
16 additional programs via Home Connect.

Handling

Touch key operation.

Features

Net volume 54 litres.
Volume capacity: Dinner service for 12 people including ø27 cm plates and soup bowls, additional bowls and a serving dish depending on size.
Capacity load max. 25 kg.
Usable interior dimensions W547 mm x H 241 mm x D 410 mm.
Heating under glass bottom for easy cleaning.
Heating system for even heat distribution and stable cavity temperature.
Status display, visible in the glass front.
Glass bottom made of safety glass.
Heating timer via Home Connect.
Specific recipes via Home Connect.
Long-term timer via Home Connect (certified by Star-K).

Home network integration for digital services (Home Connect) wireless via WiFi.

The use of the Home Connect functionality depends on the Home Connect services, which are not available in every country. For further information please check: home-connect.com.

Please read additional information on Home Connect on page 345.

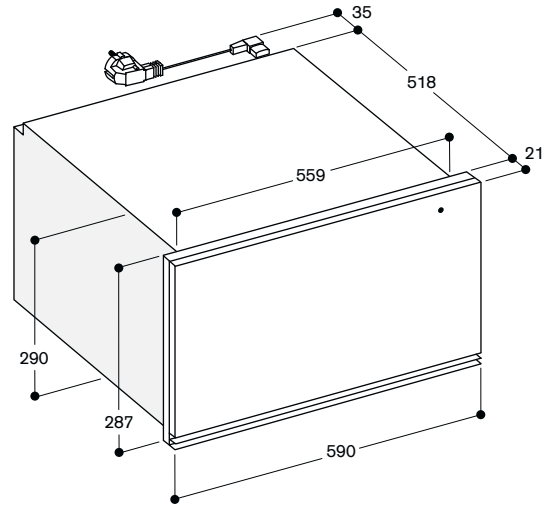
Planning notes

Necessary lateral gap between appliance front and furniture panel of min. 5 mm.
The door panel surface of the appliance extends 21 mm from the furniture cavity.
The socket can be planned behind the appliance.

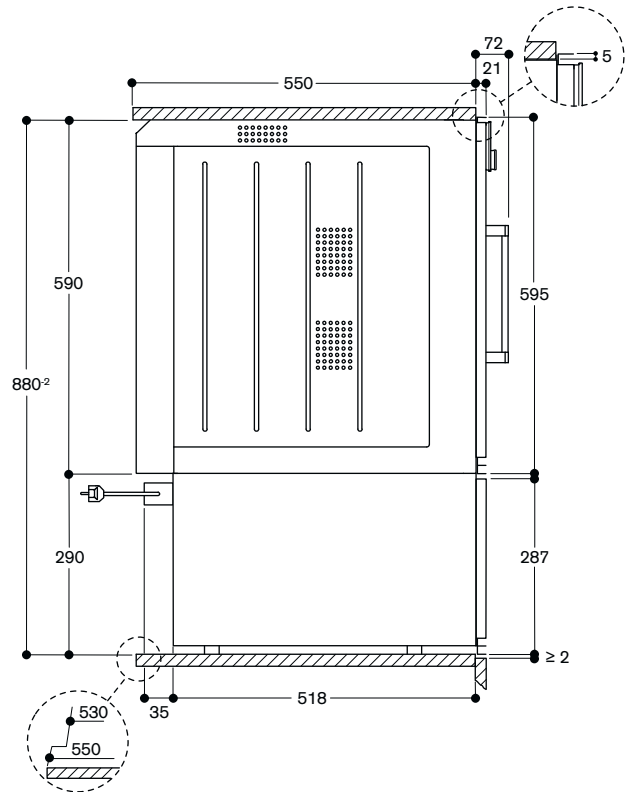
Please read the installation details regarding oven combination on page 12 – 13.

Connection

Total connected load 0.82 kW.
Connection cable 1.8 m, pluggable.



WSP 222 below BOP



Measurements in mm

Accessories and special accessories 200 series

Advice: Not every illustrated accessory fits to every oven.

BA 010 301

Triple telescopic pull-out rack
For combi-steam oven.



BA 016 105

Pull-out system
Fully extendable telescopic rails and
enamelled cast iron frame.



BA 020 361

Cooking container, stainless steel,
unperforated, 46 mm deep, 5.4l.



BA 020 370

Cooking container, stainless steel,
perforated, 40 mm deep, 5l.



BA 020 381

Cooking container, non-stick,
unperforated, 46 mm deep, 5.4l.



BA 020 390

Cooking container, non-stick,
perforated, 40 mm deep, 5l.



BA 026 115

Baking tray, enamelled
15 mm deep.



BA 036 105

Wire rack, chromium-plated
Without opening, with feet.



BA 046 117

Glass tray
24 mm deep.



BA 226 105

Grill tray, enamelled
30 mm deep.



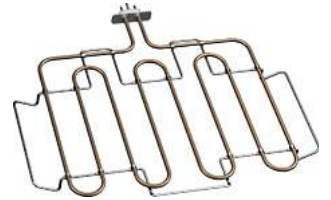
BA 216 102

Quadruple telescopic pull-out rack
For ovens BOP 210/BOP 211.



BA 056 115

Heating element for baking stone and
Gastronorm roaster.



BA 056 130

Baking stone
Incl. baking stone support and pizza
paddle (heating element must be
ordered separately).
Not in combination with pull-out
system.



BA 056 133

Baking stone
Incl. baking stone support and pizza
paddle (heating element must be
ordered separately).
Not in combination with pull-out
system.

BA 220 360

Cooking container, stainless steel,
unperforated, 35 mm deep, 5l.



BA 220 370

Cooking container, stainless steel,
perforated, 35 mm deep, 5l.



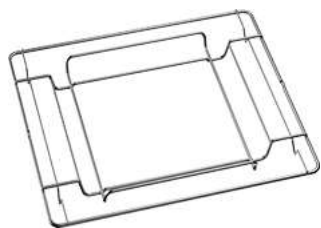
BS 020 002

Pizza paddle, set of 2



GN 010 330

Adapter for gastronorm insert and roaster.

**GN 114 130**

Gastronorm insert, stainless steel, GN 1/3
Unperforated, 40 mm deep, 1.5l.

**GN 114 230**

Gastronorm insert, stainless steel, GN 2/3
Unperforated, 40 mm deep, 3l.

**GN 124 130**

Gastronorm insert, stainless steel, GN 1/3
Perforated, 40 mm deep, 1.5l.

**GN 124 230**

Gastronorm insert, stainless steel, GN 2/3
Perforated, 40 mm deep, 3l.

**GN 340 230**

Gastronorm roaster in cast aluminium GN 2/3, height 165 mm, non-stick.
For roasting in oven with roasting function.

Lower and upper part can also be used as separate ovenproof dishes, height 100 and 65 mm.

For ovens with heating element BA 056 115 or BA 058 115 and pull-out system BA 016 or BA 018 (both to be ordered separately) and for Combi-steam ovens with adapter GN 010 330 and pull-out system BA 010 301 (both to be ordered separately).

**CL S10 040**

Cleaning cartridges, set of 4.
For Combi-steam oven.

**GF 111 100**

Descaling and neutralising filter, for first installation.
Descaling system, recommended to be installed if water hardness exceeds 7 °dH or carbon hardness 5 °dH.
Filter head with integrated non-return valve and filter.
Width 130 mm, Height 265 mm, Depth 121 mm.
Water inlet 1.5 m with 3/4" connection.

**GF 121 110**

Filter cartridge

**GZ 010 011**

Extension for water inlet and outlet (2 m long).













The Vario cooktops

Vario cooktops 400 series	70
Cut-out dimensions for appliance combinations in the 400 series	108
Vario cooktops 200 series	114
Cut-out dimensions for appliance combinations in the 200 series	122
Accessories special accessories	124

Recommended Cooktop Ventilation Combinations

✓ : aesthetically and technically recommended combination - : not recommended 📶 : cooktop based ventilation control possible.											
Product type	Picture	VIB		AC 400 width depends on configuration	AC 250 121 width 120 cm	AC 270 101 width 100 cm	AW 442 width 90 cm	AW 442 width 120 cm	AW 442 width 160 cm	AW 240 191 width 90 cm	AW 250 192 width 90 cm
	Maximum width for Vario cooktops combinations				90 cm	90 cm	80 cm	100 cm	140 cm	80 cm	80 cm
Vario electric grill 400 series		VR 414	40 cm	✓	✓	-	✓	✓	✓	-	-
Vario Teppan Yaki 400 serie Vario gas cooktop 400 series		VP 414 / VG4..	40 cm	✓	✓	✓	✓	✓	✓	-	-
Vario induction cooktop 400 series		VI4..	40 cm	✓	✓ 📶	✓ 📶	✓	✓	✓	-	-
Vario induction cooktop 400 series		VI 462	60 cm	✓	✓ 📶	✓ 📶	✓	✓	✓	-	-
Vario induction cooktop 400 series		VI 482	80 cm	✓	✓ 📶	✓ 📶	✓	✓	✓	-	-
Vario induction cooktop 400 series		VI 492	90 cm	✓	✓ 📶	✓ 📶	-	✓	✓	-	-
Vario gas cooktop 400 series Gas cooktop 400 series		VG 491 / CG 492	90 cm	✓	✓	✓	-	✓	✓	-	-
Vario electric grill 200 series		VR 230	30 cm	✓	✓	-	✓	✓	✓	-	-
Vario Teppan Yaki 200 series Vario flex induction cooktop 200 series Vario gas cooktop 200 series		VP2.. / VI2.. / VR2.. / VG2..	30 cm	✓	✓	✓	✓	✓	✓	-	-
Vario flex induction cooktop 200 series		VI 242	40 cm	✓	✓	✓	✓	✓	✓	-	-
Vario flex induction cooktop 200 series Vario gas cooktop 200 series		VI 262 / VG 264	60 cm	✓	✓	✓	✓	✓	✓	-	-
Full surface induction cooktop 400 series with frame		CX 482 111	80 cm	✓	✓ 📶	✓ 📶	✓	✓	✓	✓ 📶	✓ 📶
Full surface induction cooktop 400 series frameless		CX 482 101	80 cm	✓	✓ 📶	✓ 📶	✓	✓	✓	✓ 📶	✓ 📶
Full surface induction cooktop 400 series		CX 492	90 cm	✓	✓ 📶	✓ 📶	-	✓	✓	-	-
Flex induction cooktop 200 series		CI 261	60 cm	✓	✓	✓	✓	✓	✓	✓	✓
Flex induction cooktop 200 series		CI 262	60 cm	✓	✓ 📶	✓ 📶	✓	✓	✓	✓ 📶	✓ 📶
Flex induction cooktop 200 series		CI 272	70 cm	✓	✓ 📶	✓ 📶	✓	✓	✓	✓ 📶	✓ 📶
Flex induction cooktop 200 series		CI 282 / CI 283	80 cm	✓	✓ 📶	✓ 📶	✓	✓	✓	✓ 📶	✓ 📶
Flex induction cooktop 200 series		CI 292	90 cm	✓	✓ 📶	✓ 📶	-	✓	✓	-	-
Gas cooktop 200 series		CG 261	60 cm	✓	✓	✓	✓	✓	✓	-	-
Gas cooktop 200 series		CG 291	90 cm	✓	✓	✓	-	✓	✓	-	-
Gas cooktop 200 series		VG 295	90 cm	✓	✓	✓	-	✓	✓	-	-
Glass ceramic cooktop 200 series		CE 261	60 cm	✓	✓	✓	✓	✓	✓	✓	✓
Glass ceramic cooktop 200 series		CE 291	90 cm	✓	✓	✓	-	✓	✓	-	-

																
AI 442 width 120 cm	AI 442 width 160 cm	AI 240 191 width 90 cm	AL 400 121 width 120 cm	AL 400 191 width 90 cm	AL 200 180 width 80 cm	AL 200 190 width 90 cm	VL 414 112 width 15,5 cm	VL 200 120 width 15 cm	AF 210 192 width 90 cm	AF 210 162 width 60 cm	AC 200 191 width 86 cm	AC 200 181 width 70 cm	AC 200 161 width 52 cm			
100 cm	130 cm	80 cm	120 cm	90 cm					90 cm	60 cm	90 cm	70 cm	60 cm			
✓	✓	-	✓	✓	-	-	✓	-	✓	✓	✓	✓	✓			
✓	✓	-	✓	✓	-	-	✓	-	✓	✓	✓	✓	✓			
✓	✓	-	✓	✓	-	-	✓	-	✓	✓	✓	✓	✓			
✓	✓	-	-	-	-	-	✓	-	✓	✓	✓	✓	✓			
✓	✓	-	✓	-	✓	✓	✓	-	✓	-	✓	-	-			
✓	✓	-	-	✓	-	✓	-	-	✓	-	✓	-	-			
✓	✓	-	-	-	-	-	-	-	✓	✓	✓	✓	✓			
✓	✓	-	-	-	-	-	-	-	✓	✓	✓	✓	✓			
✓	✓	-	-	-	-	-	-	-	✓	✓	✓	✓	✓			
✓	✓	-	-	-	-	-	-	-	✓	✓	✓	✓	✓			
✓	✓	-	-	-	-	-	-	-	✓	✓	✓	✓	✓			
✓	✓	-	-	-	-	-	-	-	✓	✓	✓	✓	✓			
✓	✓	-	✓	-	✓	✓	✓	-	✓	-	✓	-	-			
✓	✓	-	-	-	✓	✓	✓	-	✓	-	✓	-	-			
✓	✓	-	-	✓	-	✓	✓	-	✓	-	✓	-	-			
✓	✓	✓	-	-	-	-	-	-	✓	✓	✓	✓	✓			
✓	✓	✓	-	-	-	-	-	-	✓	✓	✓	✓	✓			
✓	✓	✓	-	-	-	-	-	-	✓	-	✓	✓	-			
✓	✓	-	-	-	✓	✓	✓	-	✓	-	✓	-	-			
✓	✓	-	-	✓	-	✓	✓	-	✓	-	✓	-	-			
✓	✓	-	-	-	-	-	-	-	✓	✓	✓	✓	✓			
✓	✓	-	-	-	-	-	-	-	✓	-	✓	-	-			
✓	✓	-	-	-	-	-	-	-	✓	✓	✓	✓	✓			
✓	✓	-	-	-	-	-	-	-	✓	-	✓	-	-			
✓	✓	-	-	-	-	-	-	-	✓	✓	✓	✓	✓			
✓	✓	-	✓	✓	-	-	-	-	✓	-	✓	-	-			



CX 492 111

Black glass ceramic
Stainless steel frame
Width 90 cm

Included in the price

1 cooking sensor for temperature regulation

Installation accessories

VA 420 004

Connection strip for combination with other Vario appliances of the 400 series for flush mounting

VA 420 010

Connection strip for combination with other Vario appliances of the 400 series for surface mounting

Special accessories

CA 051 300

Teppan Yaki plate made of multi ply material
For flex induction cooktop.

CA 060 300

Cooking sensor for temperature regulation within pots

GN 232 110

Teppan Yaki plate made of multi ply material,
GN 1/1
For full surface induction cooktops.

Full surface induction cooktop 400 series

CX 492

- One single big cooking surface
- Free positioning of cookware
- All sizes and formats of cookware can be used
- TFT touch display for an intuitive control of all functions
- Cooking sensor function for temperature control in pots
- Professional cooking functions
- Max. power output for big cookware of up to 5.5 kW
- Precision crafted 3 mm stainless steel
- For surface mounting with a visible edge or for flush mounting
- Can be combined perfectly with other Vario appliances of the 400 series

Cooking zones

One unique cooking surface of 3200 cm².

Up to 6 items of cookware can be placed simultaneously on the cooktop.

Handling

Easy to use colour graphic TFT touch display with use indications.
Electronic power control in 17 output levels.

Features

Cooking sensor function.
Professional cooking function.
Dynamic cooking function.
Teppan Yaki function.
Booster function for pots.
Booster function for pans.
Keep warm function.
Individual pot detection.
Cooking timer for each cooking position.
Stopwatch.
Short-term timer.
Information key with use indicators.
Power management.
Cooktop-based ventilation control (with suitable hood).

Home network integration for digital services (Home Connect) wireless via WiFi.

The use of the Home Connect functionality depends on the Home Connect services, which are not available in every country. For further information please check: home-connect.com.

Please read additional information on Home Connect on page 345.

Safety

Main switch.
Residual heat indication.
Child lock.
Safety shut-off.
Pause function.

Planning notes

Depending on the type of installation (surface-mounted or flush-mounted), the specific definition of the cut-out must be observed.

If combining several Vario appliances of the 400 series, select combinations with or without appliance cover, and a connection strip VA 420 must be placed between the appliances.

Depending on the type of installation, the corresponding connection strip must be provided.

The bearing capacity and stability, in the case of thin worktops in particular, must be supported using suitable substructures. Take into account the appliance weight and additional loads. Additional instructions for flush mounting: Installation is possible in worktops made of stone, synthetics or solid wood. Heat resistance and watertight sealing of the cut edges must be observed. Concerning other materials please consult the worktop manufacturer. The groove must be continuous and even, so that uniform placing of the appliance on the gasket is ensured. Do not use discontinuous lining.

The joint width may vary due to size tolerances of the combinations and of the worktop cut-out.

Please read additional planning notes on pages 108 – 112.

If installing several appliances in individual cut-outs allow for a division bar of minimum 50 mm between the individual cut-outs.

Operates with magnetic (induction) iron pots and pans only. For an optimal heat distribution, the use of sandwich bottom cookware is recommended. The wok pan WP 400 001 cannot be used with this appliance.

Appliance can be snapped into the worktop from above.

Appliance weight: approx. 31 kg.

Please read the installation details regarding air ducting on page 172.

Connection

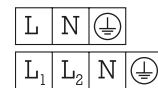
Total connected load 7.4 kW.

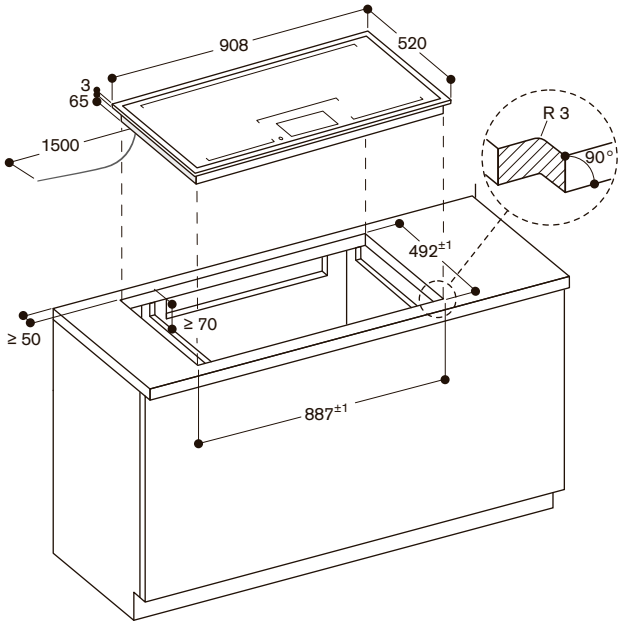
Connecting cable 1.5 m without plug.

Power consumption standby/display off 0.5 W.

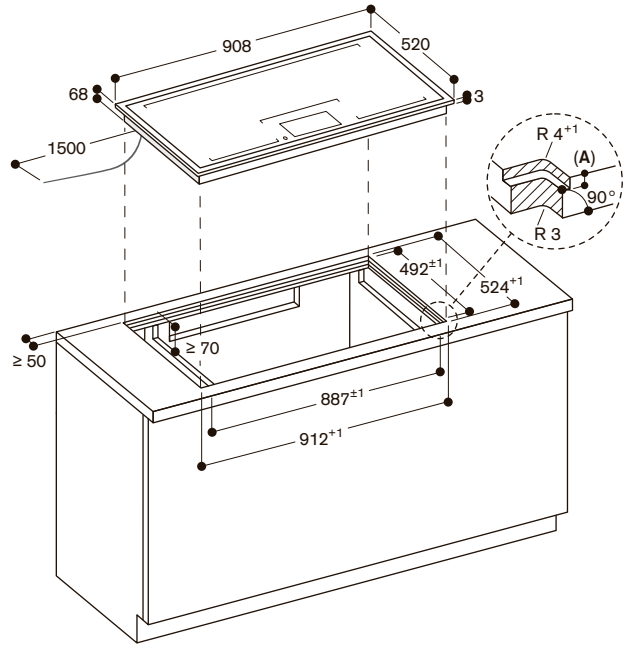
Power consumption standby/network 2.0 W.

Please check the user manual for how to switch off the WiFi module.





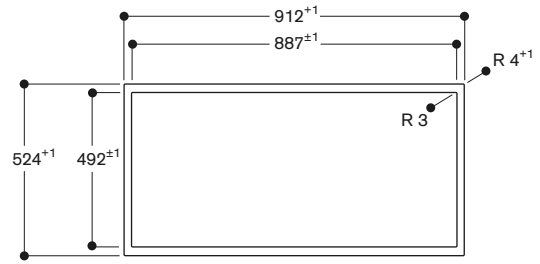
measurements in mm



A: 3.5^{0.5}

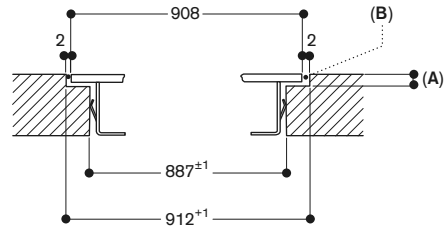
measurements in mm

View from above



measurements in mm

Longitudinal section

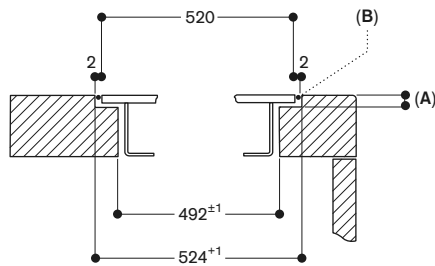


A: 3.5^{0.5}

B: Fill with silicone

measurements in mm

Cross-section



A: 3.5^{0.5}

B: Fill with silicone

measurements in mm



CX 482 111

Black glass ceramic
Stainless steel frame
Width 80 cm

Included in the price

1 cooking sensor for temperature regulation

Installation accessories

VA 420 004

Connection strip for combination with other Vario appliances of the 400 series for flush mounting

VA 420 010

Connection strip for combination with other Vario appliances of the 400 series for surface mounting

Special accessories

CA 051 300

Teppan Yaki plate made of multi ply material
For flex induction cooktop.

CA 060 300

Cooking sensor for temperature regulation within pots

GN 232 110

Teppan Yaki plate made of multi ply material,
GN 1/1
For full surface induction cooktops.

Full surface induction cooktop 400 series

CX 482

- One single big cooking surface
- Free positioning of cookware
- All sizes and formats of cookware can be used
- TFT touch display for an intuitive control of all functions
- Cooking sensor function for temperature control in pots
- Professional cooking functions
- Max. power output for big cookware of up to 5.5 kW
- Precision crafted 3 mm stainless steel
- For surface mounting with a visible edge or for flush mounting
- Can be combined perfectly with other Vario appliances of the 400 series

Cooking zones

One unique cooking surface of 2750 cm².

Up to 5 items of cookware can be placed simultaneously on the cooktop.

Handling

Easy to use colour graphic TFT touch display with use indications.

Electronic power control in 17 output levels.

Features

Cooking sensor function.

Professional cooking function.

Dynamic cooking function.

Teppan Yaki function.

Booster function for pots.

Booster function for pans.

Keep warm function.

Individual pot detection.

Cooking timer for each cooking position.

Stopwatch.

Short-term timer.

Information key with use indicators.

Power management.

Cooktop-based ventilation control (with suitable hood).

Home network integration for digital services (Home Connect) wireless via WiFi.

The use of the Home Connect functionality depends on the Home Connect services, which are not available in every country. For further information please check: home-connect.com.

Please read additional information on Home Connect on page 345.

Safety

Main switch.

Residual heat indication.

Child lock.

Safety shut-off.

Pause function.

Planning notes

Depending on the type of installation (surface-mounted or flush-mounted), the specific definition of the cut-out must be observed.

If combining several Vario appliances of the 400 series, select combinations with or without appliance cover, and a connection strip VA 420 must be placed between the appliances.

Depending on the type of installation, the corresponding connection strip must be provided.

The bearing capacity and stability, in the case of thin worktops in particular, must be supported using suitable substructures. Take into account the appliance weight and additional loads. Additional instructions for flush mounting: Installation is possible in worktops made of stone, synthetics or solid wood. Heat resistance and watertight sealing of the cut edges must be observed. Concerning other materials please consult the worktop manufacturer. The groove must be continuous and even, so that uniform placing of the appliance on the gasket is ensured. Do not use discontinuous lining.

The joint width may vary due to size tolerances of the combinations and of the worktop cut-out.

Please read additional planning notes on pages 108 – 112.

If installing several appliances in individual cut-outs allow for a division bar of minimum 50 mm between the individual cut-outs.

Operates with magnetic (induction) iron pots and pans only. For an optimal heat distribution, the use of sandwich bottom cookware is recommended. The wok pan WP 400 001 cannot be used with this appliance.

Appliance can be snapped into the worktop from above.

Appliance weight: approx. 27 kg.

Please read the installation details regarding air ducting on page 172.

Connection

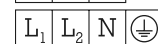
Total connected load 7.4 kW.

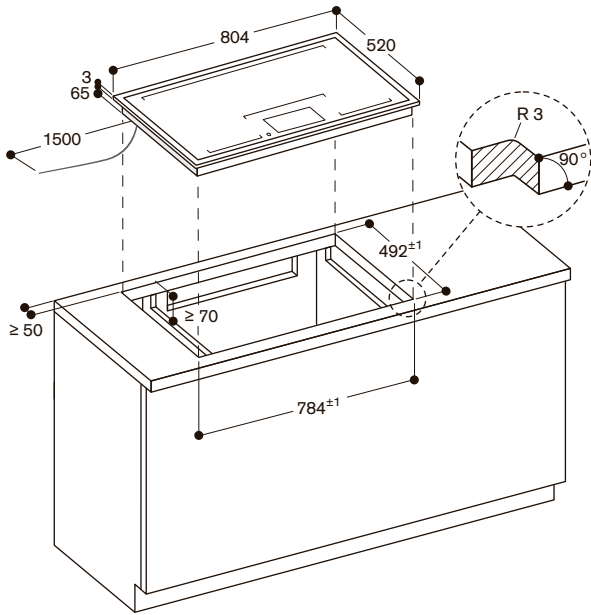
Connecting cable 1.5 m without plug.

Power consumption standby/display off 0.5 W.

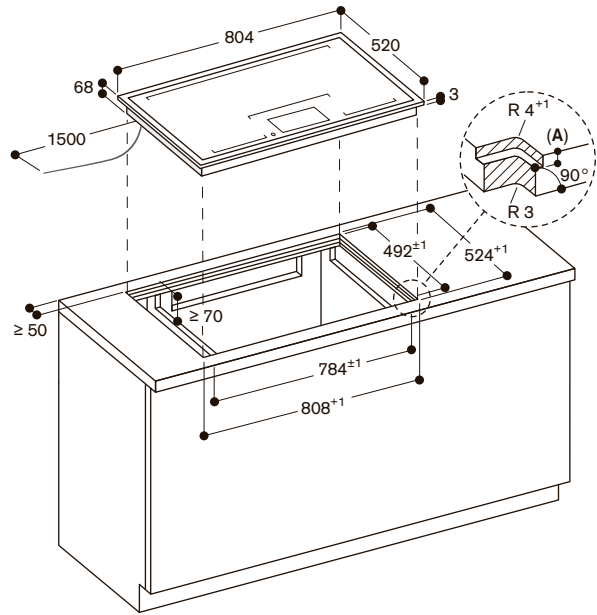
Power consumption standby/network 2.0 W.

Please check the user manual for how to switch off the WiFi module.





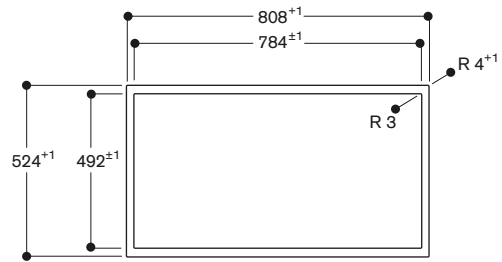
measurements in mm



A: 3.5^{0.5}

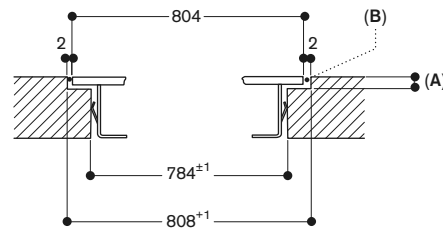
measurements in mm

View from above



measurements in mm

Longitudinal section

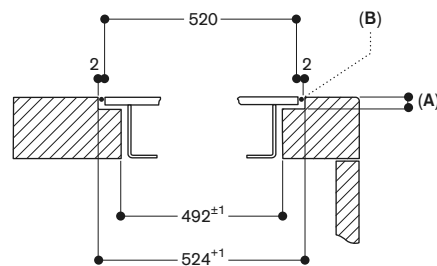


A: 3.5^{0.5}

B: Fill with silicone

measurements in mm

Cross-section



A: 3.5^{0.5}

B: Fill with silicone

measurements in mm



VI 492 103

Frameless
Width 90 cm

Installation accessories

VA 420 004

Connection strip for combination with other Vario appliances of the 400 series for flush mounting

Special accessories

CA 051 300

Teppan Yaki plate made of multi ply material
For flex induction cooktop.

CA 052 300

Griddle plate in cast aluminum
Non-stick.

For flex induction cooktop.

GP 900 001

Stainless steel frying sensor pan
Non-stick coating, ø 15 cm.

GP 900 002

Stainless steel frying sensor pan
Non-stick coating, ø 19 cm.

GP 900 003

Stainless steel frying sensor pan
Non-stick coating, ø 21 cm.

GP 900 004

Stainless steel frying sensor pan
Non-stick coating, ø 28 cm.

WP 400 001

Wok pan made of multiple-layer material
With round bottom and handle,
ø 36 cm, 6 litres, height 10 cm.

WZ 400 000

Wok attachment for wok pan
Only for Vario induction cooktops.

Flex induction cooktop 400 series

VI 492

- Flex function for combining the rectangular cooking areas
- Free positioning of cookware inside combined cooking areas
- Frying sensor function for temperature control in pans
- Large cooking zone for pots up to ø 32 cm
- Ideal for the original wok pan with round bottom, with wok ring
- Easy control of all functions with bicoloured display
- Solid stainless steel control knob
- Frameless for flush mounting

Cooking zones

2 flex induction cooking areas 23x20 cm (2200 W, with booster 3700 W), linked together 23x40 cm (3300 W, with booster 3700 W).

2 flex induction cooking areas 23x20 cm (2200 W, with booster 3700 W), linked together 23x40 cm (3300 W, with booster 3700 W).

1 induction cooking zone ø 21 cm (2200 W, with booster 3700 W), automatically switches to ø 26 cm (2600 W, with booster 3700 W) and to ø 32 cm (3300 W, with booster 3700 W).

Handling

Control knobs with illuminated ring, cooking zone and output level markings. Electronic power control in 12 output levels.

User friendly control with bicoloured display (white / orange).

Features

Flex function for rectangular cooking areas.

Frying sensor function.

Booster function.

Stopwatch.

Short-term timer.

Options menu.

Power management.

Cooktop-based ventilation control (with suitable hood).

Home network integration for digital services (Home Connect) wireless via WiFi.

The use of the Home Connect functionality depends on the Home Connect services, which are not available in every country. For further information please check: home-connect.com.

Please read additional information on Home Connect on page 345.

Safety

Operation indicator.

Pot detection.

2-stage residual heat indication.

Safety shut-off.

Planning notes

The horizontal positioning of the knobs may be aligned with the specific cooking areas.

The drawing "Installation of the control knob" must be observed if the panel is more than 23 mm thick (there must be a recess at the rear).

The bearing capacity and stability, in the case of thin worktops in particular, must be supported using suitable substructures. Take into account the appliance weight and additional loads. Installation is possible in worktops made of stone, synthetics or solid wood. Heat resistance and watertight sealing of the cut edges must be observed. Concerning other materials please consult the worktop manufacturer. The groove must be continuous and even, so that uniform placing of the appliance on the gasket is ensured. Do not use discontinuous lining. The joint width may vary due to size tolerances of the combinations and of the worktop cut-out.

Please read additional planning notes on pages 108 – 112.

If installing several appliances in individual cut-outs allow for a division bar of minimum 50 mm between the individual cut-outs. Operates with magnetic (induction) iron pots and pans only. For an optimal heat distribution, the use of sandwich bottom cookware is recommended. Appliance can be snapped into the worktop from above. Appliance weight: approx. 23 kg.

Please read the installation details regarding air ducting on page 172.

Connection

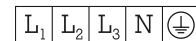
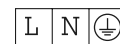
Total connected load 11.1 kW.

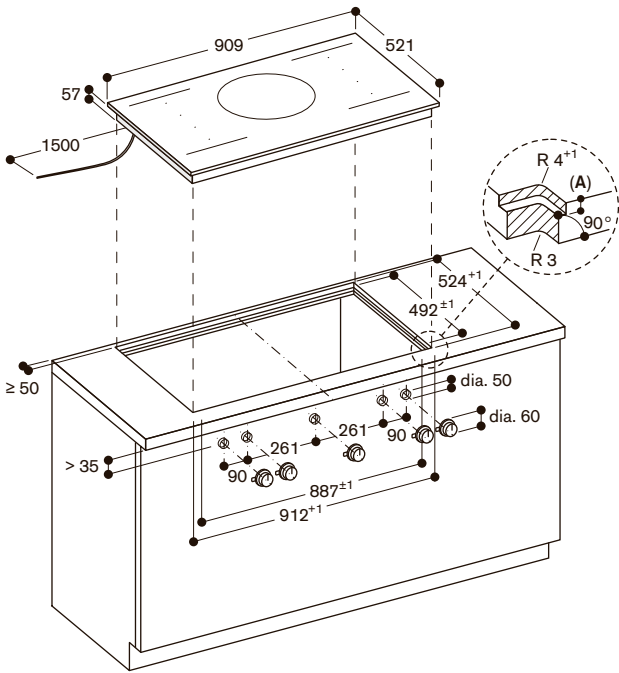
Connecting cable 1.5 m without plug. Power consumption standby/display off 0.5 W.

Power consumption standby/network 1.9 W.

Please check the user manual for how to switch off the WiFi module.

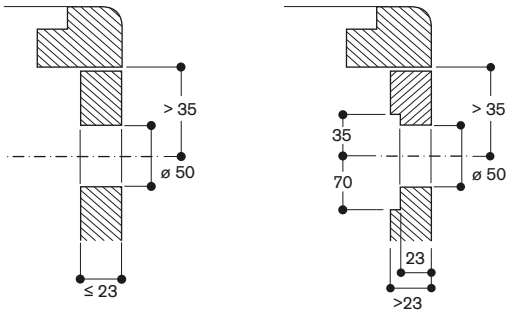
Vario flex induction cooktop 400 series Can be combined perfectly with other Vario appliances of the 400 series.





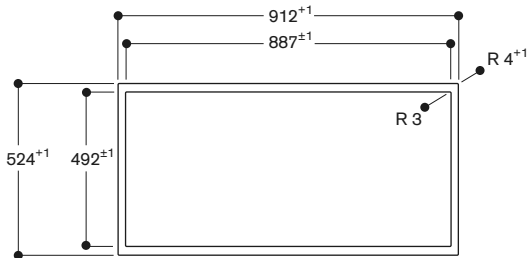
A: $6.5^{+0.5}$
measurements in mm

Installation of the control knob; flush installation



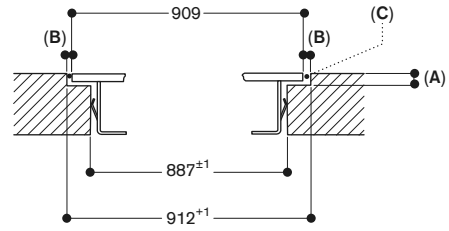
measurements in mm

View from above



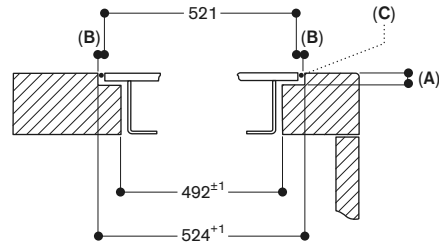
measurements in mm

Longitudinal section



A: $6.5^{+0.5}$
B: 1.5
C: Fill with silicone
measurements in mm

Cross-section



A: $6.5^{+0.5}$
B: 1.5
C: Fill with silicone
measurements in mm



VI 492 113

Stainless steel frame
Width 90 cm

Installation accessories

VA 420 004

Connection strip for combination with other Vario appliances of the 400 series for flush mounting

VA 420 010

Connection strip for combination with other Vario appliances of the 400 series for surface mounting

Special accessories

CA 051 300

Teppan Yaki plate made of multi ply material
For flex induction cooktop.

CA 052 300

Griddle plate in cast aluminum
Non-stick.
For flex induction cooktop.

GP 900 001

Stainless steel frying sensor pan
Non-stick coating, ø 15 cm.

GP 900 002

Stainless steel frying sensor pan
Non-stick coating, ø 19 cm.

GP 900 003

Stainless steel frying sensor pan
Non-stick coating, ø 21 cm.

GP 900 004

Stainless steel frying sensor pan
Non-stick coating, ø 28 cm.

WP 400 001

Wok pan made of multiple-layer material
With round bottom and handle,
ø 36 cm, 6 litres, height 10 cm.

WZ 400 000

Wok attachment for wok pan
Only for Vario induction cooktops.

Vario flex induction cooktop 400 series

VI 492

- Flex function for combining the rectangular cooking areas
- Free positioning of cookware inside combined cooking areas
- Frying sensor function for temperature control in pans
- Large cooking zone for pots up to ø 32 cm
- Ideal for the original wok pan with round bottom, with wok ring
- Easy control of all functions with bicoloured display
- Solid stainless steel control knob
- Precision crafted 3 mm stainless steel
- For surface mounting with a visible edge or for flush mounting
- Can be combined perfectly with other Vario appliances of the 400 series

Cooking zones

2 flex induction cooking areas
23x19 cm (2200 W, with booster 3700 W), linked together 23x38 cm (3300 W, with booster 3700 W).

2 flex induction cooking areas
23x19 cm (2200 W, with booster 3700 W), linked together 23x38 cm (3300 W, with booster 3700 W).

1 induction cooking zone ø 21 cm (2200 W, with booster 3700 W), automatically switches to ø 26 cm (2600 W, with booster 3700 W) and to ø 32 cm (3300 W, with booster 3700 W).

Handling

Control knobs with illuminated ring, cooking zone and output level markings.

Electronic power control in 12 output levels.

User friendly control with bicoloured display (white / orange).

Features

Flex function for rectangular cooking areas.

Frying sensor function.

Booster function.

Stopwatch.

Short-term timer.

Options menu.

Power management.

Cooktop-based ventilation control (with suitable hood).

Home network integration for digital services (Home Connect) wireless via WiFi.

The use of the Home Connect functionality depends on the Home Connect services, which are not available in every country. For further information please check: home-connect.com.

Please read additional information on Home Connect on page 345.

Safety

Operation indicator.

Pot detection.

2-stage residual heat indication.

Safety shut-off.

Planning notes

Depending on the type of installation (surface-mounted or flush-mounted), the specific location of the cut-out and the knob positions may vary.

The horizontal positioning of the knobs may be aligned with the specific cooking areas and zones.

The drawing "Installation of the control knob" must be observed if the panel is more than 23 mm thick (there must be a recess at the rear).

If combining several Vario appliances of the 400 series, select combinations with or without appliance cover, and a connection strip VA 420 must be placed between the appliances.

Depending on the type of installation, the corresponding connection strip must be provided.

The bearing capacity and stability, in the case of thin worktops in particular, must be supported using suitable substructures. Take into account the appliance weight and additional loads. Additional instructions for flush mounting: Installation is possible in worktops made of stone, synthetics or solid wood. Heat resistance and watertight sealing of the cut edges must be observed. Concerning other materials please consult the worktop manufacturer. The groove must be continuous and even, so that uniform placing of the appliance on the gasket is ensured. Do not use discontinuous lining. The joint width may vary due to size tolerances of the combinations and of the worktop cut-out.

Please read additional planning notes on pages 108 – 112.

If installing several appliances in individual cut-outs allow for a division bar of minimum 50 mm between the individual cut-outs.

Operates with magnetic (induction) iron pots and pans only. For an optimal heat distribution, the use of sandwich bottom cookware is recommended. Appliance can be snapped into the worktop from above.
Appliance weight: approx. 24 kg.

Please read the installation details regarding air ducting on page 172.

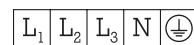
Connection

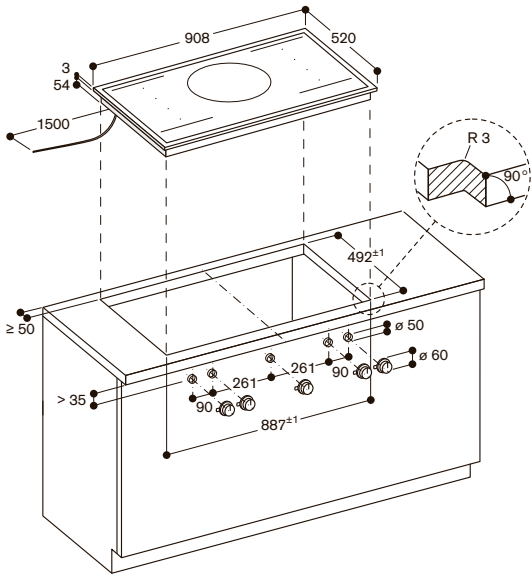
Total connected load 11.1 kW.

Connecting cable 1.5 m without plug.
Power consumption standby/display off 0.5 W.

Power consumption standby/network 1.9 W.

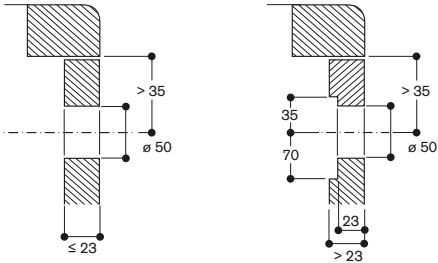
Please check the user manual for how to switch off the WiFi module.



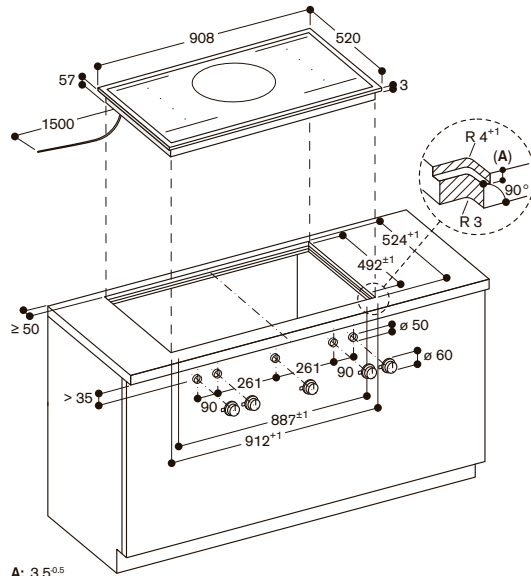


measurements in mm

Installation of the control knob; surface mounting



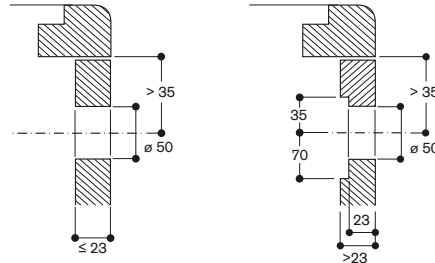
measurements in mm



A: 3.5^{0.5}

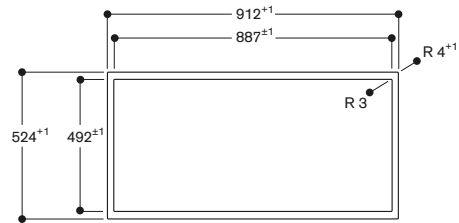
measurements in mm

Installation of the control knob; flush installation



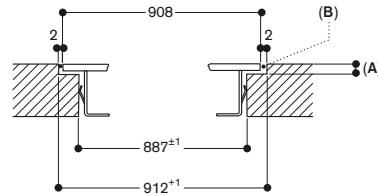
measurements in mm

View from above



measurements in mm

Longitudinal section

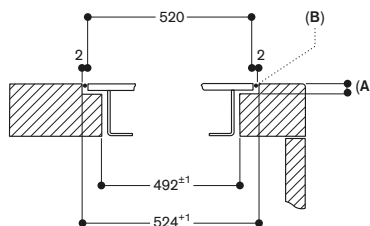


A: 3.5^{0.5}

B: Fill with silicone

measurements in mm

Cross-section



A: 3.5^{0.5}

B: Fill with silicone

measurements in mm



VI 482 103

Frameless
Width 80 cm

Installation accessories

VA 420 004

Connection strip for combination with other Vario appliances of the 400 series for flush mounting

Special accessories

CA 051 300

Teppan Yaki plate made of multi ply material
For flex induction cooktop.

CA 052 300

Griddle plate in cast aluminum
Non-stick.
For flex induction cooktop.

GP 900 001

Stainless steel frying sensor pan
Non-stick coating, ø 15 cm.

GP 900 002

Stainless steel frying sensor pan
Non-stick coating, ø 19 cm.

GP 900 003

Stainless steel frying sensor pan
Non-stick coating, ø 21 cm.

GP 900 004

Stainless steel frying sensor pan
Non-stick coating, ø 28 cm.

Vario flex induction cooktop 400 series VI 482

- Flex function for combining the rectangular cooking areas
- Free positioning of cookware inside combined cooking areas with automatic extension up to 30 cm width
- Frying sensor function for temperature control in pans
- Easy control of all functions with bicoloured display
- Solid stainless steel control knob
- Frameless for flush mounting
- Can be combined perfectly with other Vario appliances of the 400 series

Cooking zones

2 flex induction cooking areas 23x20 cm (2200 W, with booster 3700 W), linked together 23x40 cm (3300 W, with booster 3700 W), with automatic extension up to 32x30 cm (3300 W, with booster 3700 W).

2 flex induction cooking areas 23x20 cm (2200 W, with booster 3700 W), linked together 23x40 cm (3300 W, with booster 3700 W), with automatic extension up to 32x30 cm (3300 W, with booster 3700 W).

Handling

Control knobs with illuminated ring, cooking zone and output level markings. Electronic power control in 12 output levels.

User friendly control with bicoloured display (white / orange).

Features

Flex function for rectangular cooking areas.
Frying sensor function.
Booster function.
Stopwatch.
Short-term timer.
Options menu.
Power management.
Cooktop-based ventilation control (with suitable hood).

Home network integration for digital services (Home Connect) wireless via WiFi.

The use of the Home Connect functionality depends on the Home Connect services, which are not available in every country. For further information please check: home-connect.com.

Please read additional information on Home Connect on page 345.

Safety

Operation indicator.
Pot detection.
2-stage residual heat indication.
Safety shut-off.

Planning notes

The horizontal positioning of the knobs may be aligned with the specific cooking areas.

The drawing "Installation of the control knob" must be observed if the panel is more than 23 mm thick (there must be a recess at the rear).

The bearing capacity and stability, in the case of thin worktops in particular, must be supported using suitable substructures. Take into account the appliance weight and additional loads. Installation is possible in worktops made of stone, synthetics or solid wood. Heat resistance and watertight sealing of the cut edges must be observed. Concerning other materials please consult the worktop manufacturer. The groove must be continuous and even, so that uniform placing of the appliance on the gasket is ensured. Do not use discontinuous lining. The joint width may vary due to size tolerances of the combinations and of the worktop cut-out.

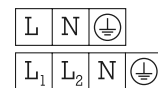
Please read additional planning notes on pages 108 – 112.

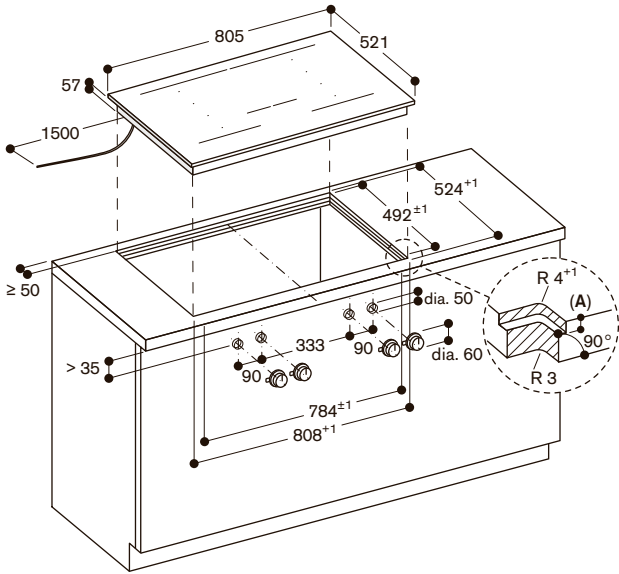
If installing several appliances in individual cut-outs allow for a division bar of minimum 50 mm between the individual cut-outs. Operates with magnetic (induction) iron pots and pans only. For an optimal heat distribution, the use of sandwich bottom cookware is recommended. The wok pan WP 400 001 cannot be used with this appliance. Appliance can be snapped into the worktop from above. Appliance weight: approx. 18 kg.

Please read the installation details regarding air ducting on page 172.

Connection

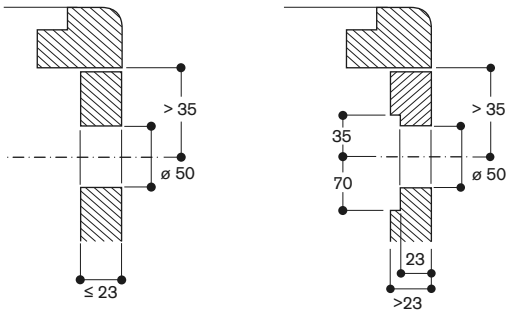
Total connected load 7.4 kW.
Connecting cable 1.5 m without plug.
Power consumption standby/display off 0.5 W.
Power consumption standby/network 1.7 W.
Please check the user manual for how to switch off the WiFi module.





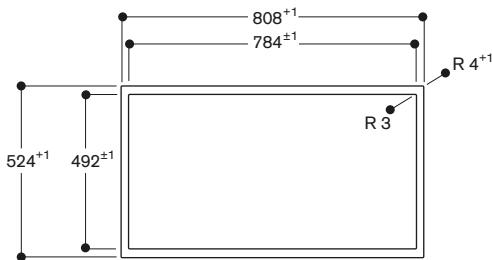
A: $6.5^{+0.5}$
 measurements in mm

Installation of the control knob; flush installation



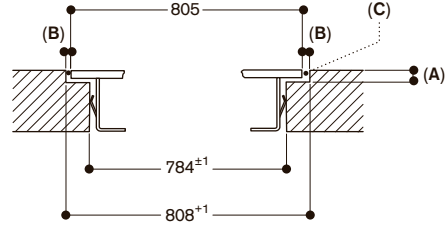
measurements in mm

View from above



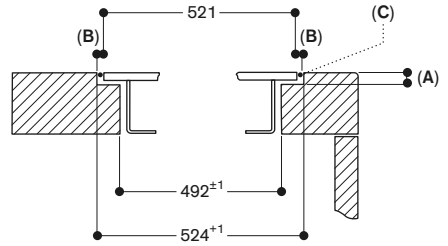
measurements in mm

Longitudinal section



A: $6.5^{+0.5}$
 B: 1.5
 C: Fill with silicone
 measurements in mm

Cross-section



A: $6.5^{+0.5}$
 B: 1.5
 C: Fill with silicone
 measurements in mm



VI 482 113

Stainless steel frame
Width 80 cm

Installation accessories

VA 420 004

Connection strip for combination with other Vario appliances of the 400 series for flush mounting

VA 420 010

Connection strip for combination with other Vario appliances of the 400 series for surface mounting

Special accessories

CA 051 300

Teppan Yaki plate made of multi ply material
For flex induction cooktop.

CA 052 300

Griddle plate in cast aluminum
Non-stick.

For flex induction cooktop.

GP 900 001

Stainless steel frying sensor pan
Non-stick coating, ø 15 cm.

GP 900 002

Stainless steel frying sensor pan
Non-stick coating, ø 19 cm.

GP 900 003

Stainless steel frying sensor pan
Non-stick coating, ø 21 cm.

GP 900 004

Stainless steel frying sensor pan
Non-stick coating, ø 28 cm.

Vario flex induction cooktop 400 series VI 482

- Flex function for combining the rectangular cooking areas
- Free positioning of cookware inside combined cooking areas with automatic extension up to 32 cm width
- Frying sensor function for temperature control in pans
- Easy control of all functions with bicoloured display
- Solid stainless steel control knob
- Precision crafted 3 mm stainless steel
- For surface mounting with a visible edge or for flush mounting
- Can be combined perfectly with other Vario appliances of the 400 series

Cooking zones

2 flex induction cooking areas
23x19 cm (2200 W, with booster 3700 W), linked together 23x38 cm (3300 W, with booster 3700 W), with automatic extension up to 32x30 cm (3300 W, with booster 3700 W).

2 flex induction cooking areas
23x19 cm (2200 W, with booster 3700 W), linked together 23x38 cm (3300 W, with booster 3700 W), with automatic extension up to 32x30 cm (3300 W, with booster 3700 W).

Handling

Control knobs with illuminated ring, cooking zone and output level markings.

Electronic power control in 12 output levels.

User friendly control with bicoloured display (white / orange).

Features

Flex function for rectangular cooking areas.

Frying sensor function.

Booster function.

Stopwatch.

Short-term timer.

Options menu.

Power management.

Cooktop-based ventilation control (with suitable hood).

Home network integration for digital services (Home Connect) wireless via WiFi.

The use of the Home Connect functionality depends on the Home Connect services, which are not available in every country. For further information please check: home-connect.com.

Please read additional information on Home Connect on page 345.

Safety

Operation indicator.

Pot detection.

2-stage residual heat indication.

Safety shut-off.

Planning notes

Depending on the type of installation (surface-mounted or flush-mounted), the specific location of the cut-out and the knob positions may vary.

The horizontal positioning of the knobs may be aligned with the specific cooking areas.

The drawing "Installation of the control knob" must be observed if the panel is more than 23 mm thick (there must be a recess at the rear).

If combining several Vario appliances of the 400 series, select combinations with or without appliance cover, and a connection strip VA 420 must be placed between the appliances.

Depending on the type of installation, the corresponding connection strip must be provided.

The bearing capacity and stability, in the case of thin worktops in particular, must be supported using suitable substructures. Take into account the appliance weight and additional loads.

Additional instructions for flush mounting: Installation is possible in worktops made of stone, synthetics or solid wood. Heat resistance and watertight sealing of the cut edges must be observed.

Concerning other materials please consult the worktop manufacturer.

The groove must be continuous and even, so that uniform placing of the appliance on the gasket is ensured.

Do not use discontinuous lining.

The joint width may vary due to size tolerances of the combinations and of the worktop cut-out.

Please read additional planning notes on pages 108 – 112.

If installing several appliances in individual cut-outs allow for a division bar of minimum 50 mm between the individual cut-outs.

Operates with magnetic (induction) iron pots and pans only. For an optimal heat distribution, the use of sandwich bottom cookware is recommended.

The wok pan WP 400 001 cannot be used with this appliance.

Appliance can be snapped into the worktop from above.

Appliance weight: approx. 20 kg.

Please read the installation details regarding air ducting on page 172.

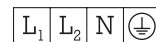
Connection

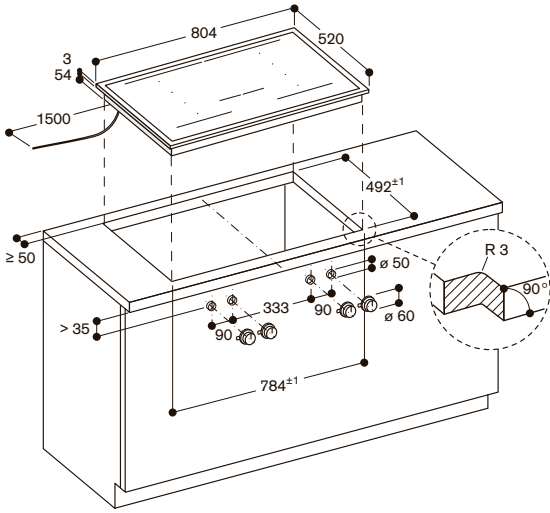
Total connected load 7.4 kW.

Connecting cable 1.5 m without plug. Power consumption standby/display off 0.5 W.

Power consumption standby/network 1.7 W.

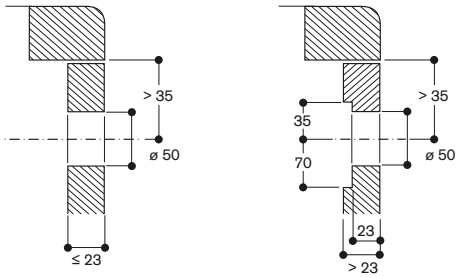
Please check the user manual for how to switch off the WiFi module.



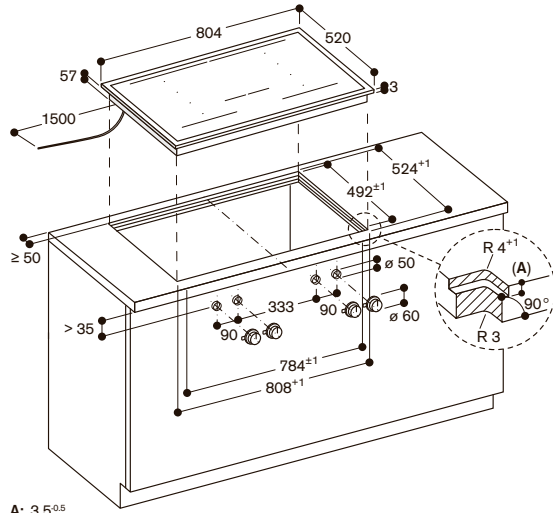


measurements in mm

Installation of the control knob; surface mounting



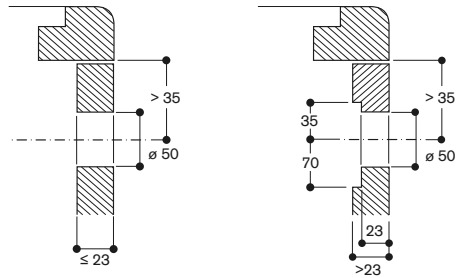
measurements in mm



A: 3.5^{±0.5}

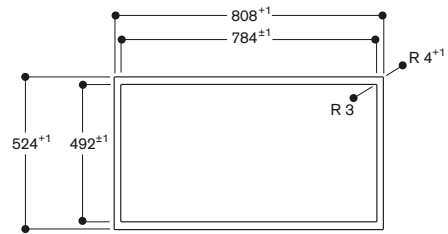
measurements in mm

Installation of the control knob; flush installation



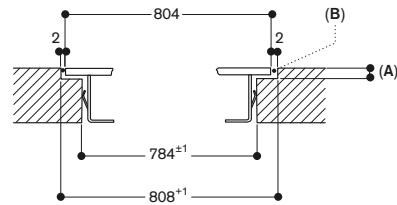
measurements in mm

View from above



measurements in mm

Longitudinal section

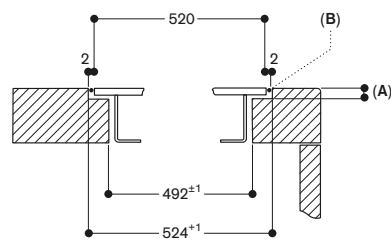


A: 3.5^{±0.5}

B: Fill with silicone

measurements in mm

Cross-section



A: 3.5^{±0.5}

B: Fill with silicone

measurements in mm



VI 462 103

Frameless
Width 60 cm

Installation accessories

VA 420 004

Connection strip for combination with other Vario appliances of the 400 series for flush mounting

Special accessories

CA 051 300

Teppan Yaki plate made of multi ply material
For flex induction cooktop.

CA 052 300

Griddle plate in cast aluminum
Non-stick.
For flex induction cooktop.

GP 900 001

Stainless steel frying sensor pan
Non-stick coating, ø 15 cm.

GP 900 002

Stainless steel frying sensor pan
Non-stick coating, ø 19 cm.

GP 900 003

Stainless steel frying sensor pan
Non-stick coating, ø 21 cm.

GP 900 004

Stainless steel frying sensor pan
Non-stick coating, ø 28 cm.

Vario flex induction cooktop 400 series

VI 462

- Flex function for combining the rectangular cooking areas
- Free positioning of cookware inside combined cooking areas with automatic extension up to 30 cm width
- Frying sensor function for temperature control in pans
- Easy control of all functions with bicoloured display
- Solid stainless steel control knob
- Frameless for flush mounting
- Can be combined perfectly with other Vario appliances of the 400 series

Cooking zones

2 flex induction cooking areas 23x20 cm (2200 W, with booster 3700 W), linked together 23x40 cm (3300 W, with booster 3700 W), with automatic extension up to 30x30 cm (3300 W, with booster 3700 W).
2 flex induction cooking areas 23x20 cm (2200 W, with booster 3700 W), linked together 23x40 cm (3300 W, with booster 3700 W).

Handling

Control knobs with illuminated ring, cooking zone and output level markings. Electronic power control in 12 output levels. User friendly control with bicoloured display (white / orange).

Features

Flex function for rectangular cooking areas.
Frying sensor function.
Booster function.
Stopwatch.
Short-term timer.
Options menu.
Power management.
Cooktop-based ventilation control (with suitable hood).

Home network integration for digital services (Home Connect) wireless via WiFi.

The use of the Home Connect functionality depends on the Home Connect services, which are not available in every country. For further information please check: home-connect.com.

Please read additional information on Home Connect on page 345.

Safety

Operation indicator.
Pot detection.
2-stage residual heat indication.
Safety shut-off.

Planning notes

The horizontal positioning of the knobs may be aligned with the specific cooking areas.

The drawing "Installation of the control knob" must be observed if the panel is more than 23 mm thick (there must be a recess at the rear).

The bearing capacity and stability, in the case of thin worktops in particular, must be supported using suitable substructures. Take into account the appliance weight and additional loads.

Installation is possible in worktops made of stone, synthetics or solid wood. Heat resistance and watertight sealing of the cut edges must be observed. Concerning other materials please consult the worktop manufacturer. The groove must be continuous and even, so that uniform placing of the appliance on the gasket is ensured. Do not use discontinuous lining. The joint width may vary due to size tolerances of the combinations and of the worktop cut-out.

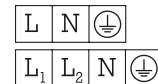
Please read additional planning notes on pages 108 – 112.

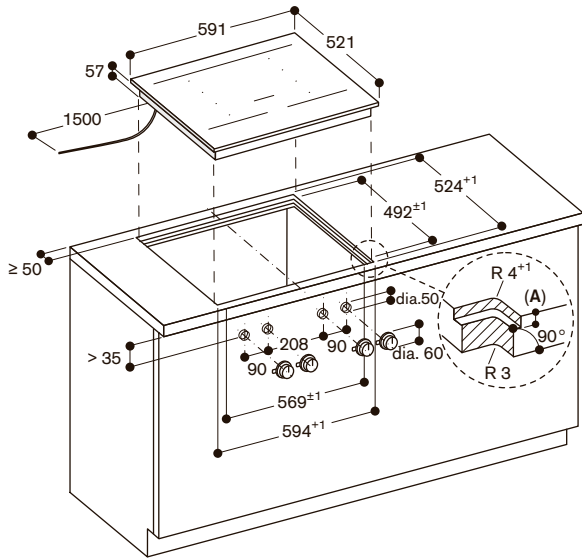
If installing several appliances in individual cut-outs allow for a division bar of minimum 50 mm between the individual cut-outs. Operates with magnetic (induction) iron pots and pans only. For an optimal heat distribution, the use of sandwich bottom cookware is recommended. The wok pan WP 400 001 cannot be used with this appliance. Appliance can be snapped into the worktop from above. Appliance weight: approx. 17 kg.

Please read the installation details regarding air ducting on page 172.

Connection

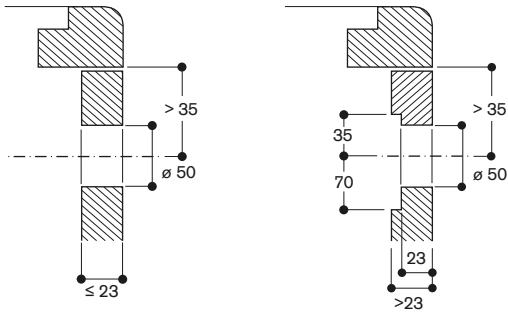
Total connected load 7.4 kW.
Connecting cable 1.5 m without plug.
Power consumption standby/display off 0.5 W.
Power consumption standby/network 1.7 W.
Please check the user manual for how to switch off the WiFi module.





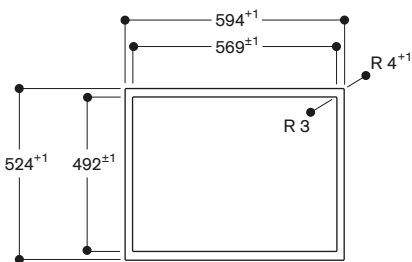
A: $6.5^{+0.5}$
 measurements in mm

Installation of the control knob; flush installation



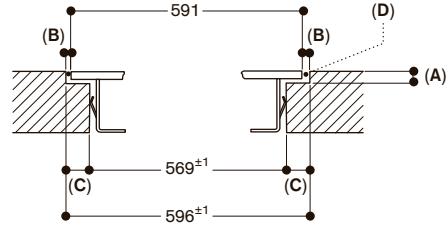
measurements in mm

View from above



measurements in mm

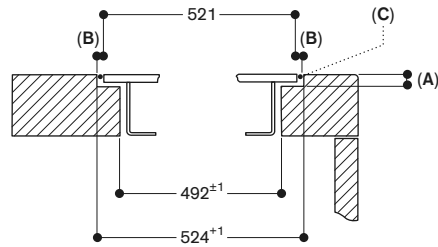
Longitudinal section



A: $6.5^{+0.5}$
 B: 2.5
 C: 13.5
 D: Fill with silicone

measurements in mm

Cross-section



A: $6.5^{+0.5}$
 B: 1.5
 C: Fill with silicone

measurements in mm



VI 462 113

Stainless steel frame
Width 60 cm

Installation accessories

VA 420 004

Connection strip for combination with other Vario appliances of the 400 series for flush mounting

VA 420 010

Connection strip for combination with other Vario appliances of the 400 series for surface mounting

Special accessories

CA 051 300

Teppan Yaki plate made of multi ply material
For flex induction cooktop.

CA 052 300

Griddle plate in cast aluminum
Non-stick.

For flex induction cooktop.

GP 900 001

Stainless steel frying sensor pan
Non-stick coating, ø 15 cm.

GP 900 002

Stainless steel frying sensor pan
Non-stick coating, ø 19 cm.

GP 900 003

Stainless steel frying sensor pan
Non-stick coating, ø 21 cm.

GP 900 004

Stainless steel frying sensor pan
Non-stick coating, ø 28 cm.

Vario flex induction cooktop 400 series

VI 462

- Flex function for combining the rectangular cooking areas
- Free positioning of cookware inside combined cooking areas with automatic extension up to 30 cm width
- Frying sensor function for temperature control in pans
- Easy control of all functions with bicoloured display
- Solid stainless steel control knob
- Precision crafted 3 mm stainless steel
- For surface mounting with a visible edge or for flush mounting
- Can be combined perfectly with other Vario appliances of the 400 series

Cooking zones

2 flex induction cooking areas
23x19 cm (2200 W, with booster 3700 W), linked together 23x38 cm (3300 W, with booster 3700 W), with automatic extension up to 30x30 cm (3300 W, with booster 3700 W).

2 flex induction cooking areas
23x19 cm (2200 W, with booster 3700 W), linked together 23x38 cm (3300 W, with booster 3700 W).

Handling

Control knobs with illuminated ring, cooking zone and output level markings. Electronic power control in 12 output levels.

User friendly control with bicoloured display (white / orange).

Features

Flex function for rectangular cooking areas.
Frying sensor function.
Booster function.
Stopwatch.
Short-term timer.
Options menu.
Power management.
Cooktop-based ventilation control (with suitable hood).

Home network integration for digital services (Home Connect) wireless via WiFi.

The use of the Home Connect functionality depends on the Home Connect services, which are not available in every country. For further information please check: home-connect.com.

Please read additional information on Home Connect on page 345.

Safety

Operation indicator.
Pot detection.
2-stage residual heat indication.
Safety shut-off.

Planning notes

Depending on the type of installation (surface-mounted or flush-mounted), the specific location of the cut-out and the knob positions may vary.

The horizontal positioning of the knobs may be aligned with the specific cooking areas.

The drawing "Installation of the control knob" must be observed if the panel is more than 23 mm thick (there must be a recess at the rear).

If combining several Vario appliances of the 400 series, select combinations with or without appliance cover, and a connection strip VA 420 must be placed between the appliances.

Depending on the type of installation, the corresponding connection strip must be provided.

The bearing capacity and stability, in the case of thin worktops in particular, must be supported using suitable substructures. Take into account the appliance weight and additional loads. Additional instructions for flush mounting: Installation is possible in worktops made of stone, synthetics or solid wood. Heat resistance and watertight sealing of the cut edges must be observed. Concerning other materials please consult the worktop manufacturer. The groove must be continuous and even, so that uniform placing of the appliance on the gasket is ensured. Do not use discontinuous lining. The joint width may vary due to size tolerances of the combinations and of the worktop cut-out.

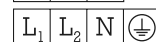
Please read additional planning notes on pages 108 – 112.

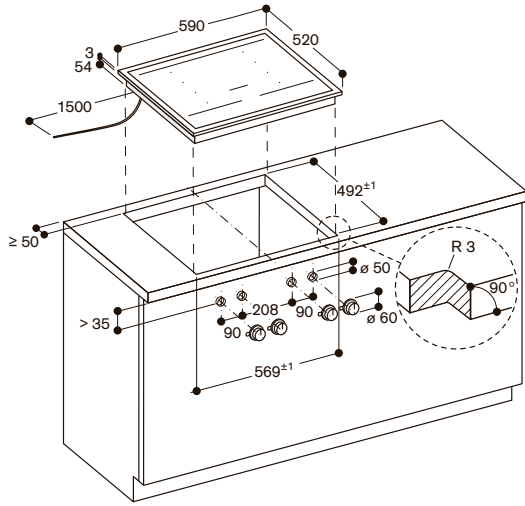
If installing several appliances in individual cut-outs allow for a division bar of minimum 50 mm between the individual cut-outs. Operates with magnetic (induction) iron pots and pans only. For an optimal heat distribution, the use of sandwich bottom cookware is recommended. The wok pan WP 400 001 cannot be used with this appliance. Appliance can be snapped into the worktop from above. Appliance weight: approx. 17 kg.

Please read the installation details regarding air ducting on page 172.

Connection

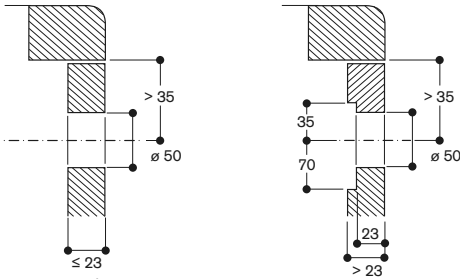
Total connected load 7.4 kW.
Connecting cable 1.5 m without plug.
Power consumption standby/display off 0.5 W.
Power consumption standby/network 1.7 W.
Please check the user manual for how to switch off the WiFi module.



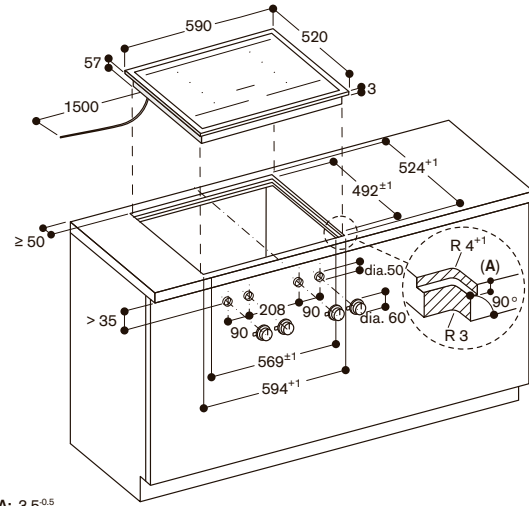


measurements in mm

Installation of the control knob; surface mounting



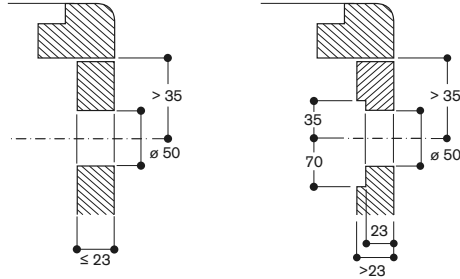
measurements in mm



A: 3.5^{0.5}

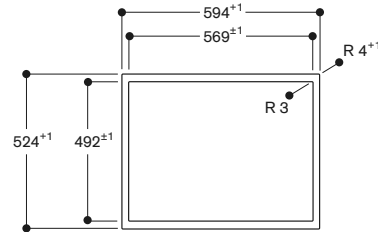
measurements in mm

Installation of the control knob; flush installation



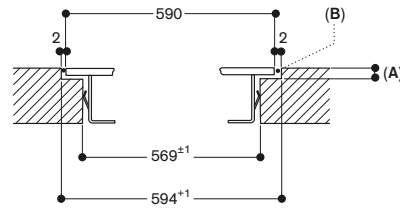
measurements in mm

View from above



measurements in mm

Longitudinal section

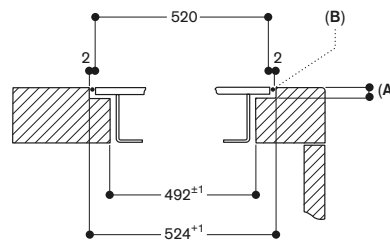


A: 3.5^{0.5}

B: Fill with silicone

measurements in mm

Cross-section



A: 3.5^{0.5}

B: Fill with silicone

measurements in mm



VI 422 104

Frameless
Width 38 cm

Installation accessories

VA 420 004

Connection strip for combination with other Vario appliances of the 400 series for flush mounting

Special accessories

CA 051 300

Teppan Yaki plate made of multi ply material
For flex induction cooktop.

CA 052 300

Griddle plate in cast aluminum
Non-stick.

For flex induction cooktop.

GP 900 001

Stainless steel frying sensor pan
Non-stick coating, ø 15 cm.

GP 900 002

Stainless steel frying sensor pan
Non-stick coating, ø 19 cm.

GP 900 003

Stainless steel frying sensor pan
Non-stick coating, ø 21 cm.

Vario flex induction cooktop 400 series

VI 422

- Flex function for combining the rectangular cooking areas
- Free positioning of cookware inside combined cooking areas
- Frying sensor function for temperature control in pans
- Easy control of all functions with bicoloured display
- Solid stainless steel control knob
- Frameless for flush mounting

Cooking zones

2 flex induction cooking areas 24x20 cm (2200 W, with booster 3700 W), linked together 24x40 cm (3300 W, with booster 3700 W).

Handling

Control knobs with illuminated ring, cooking zone and output level markings. Electronic power control in 12 output levels.

User friendly control with bicoloured display (white / orange).

Features

Flex function for rectangular cooking areas.

Frying sensor function.

Booster function.

Stopwatch.

Short-term timer.

Options menu.

Power management.

Cooktop-based ventilation control (with suitable hood).

Home network integration for digital services (Home Connect) wireless via WiFi.

The use of the Home Connect functionality depends on the Home Connect services, which are not available in every country. For further information please check: home-connect.com.

Please read additional information on Home Connect on page 345.

Safety

Operation indicator.

Pot detection.

2-stage residual heat indication.

Safety shut-off.

Planning notes

The horizontal positioning of the knobs may be aligned with the specific cooking areas.

The drawing "Installation of the control knob" must be observed if the panel is more than 23 mm thick (there must be a recess at the rear).

The bearing capacity and stability, in the case of thin worktops in particular, must be supported using suitable substructures. Take into account the appliance weight and additional loads. Installation is possible in worktops made of stone, synthetics or solid wood. Heat resistance and watertight sealing of the cut edges must be observed. Concerning other materials please consult the worktop manufacturer. The groove must be continuous and even, so that uniform placing of the appliance on the gasket is ensured.

Do not use discontinuous lining.

The joint width may vary due to size tolerances of the combinations and of the worktop cut-out.

If installing several appliances in individual cut-outs allow for a division bar of minimum 50 mm between the individual cut-outs.

Operates with magnetic (induction) iron pots and pans only. For an optimal heat distribution, the use of sandwich bottom cookware is recommended. Appliance can be snapped into the worktop from above.

Appliance weight: approx. 9 kg.

Please read the installation details regarding air ducting on page 172.

Please read additional planning notes on pages 108 – 112.

Connection

Total connected load 3.7 kW.

Connecting cable 1.5 m without plug.

Power consumption standby/ display off 0.5 W.

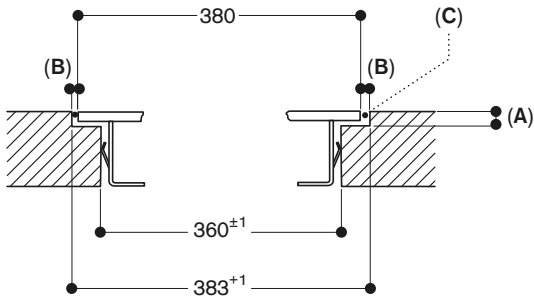
Power consumption standby/ network 1.4 W.

Please check the user manual for how to switch off the WiFi module.

Can be combined perfectly with other Vario appliances of the 400 series.



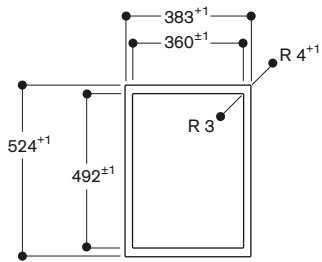
Longitudinal section



- A: 6.5^{+0.5}
- B: 1.5
- C: Fill with silicone

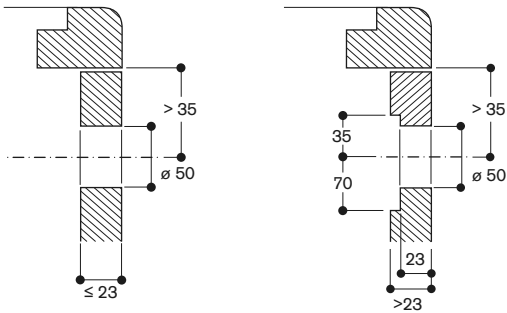
measurements in mm

View from above



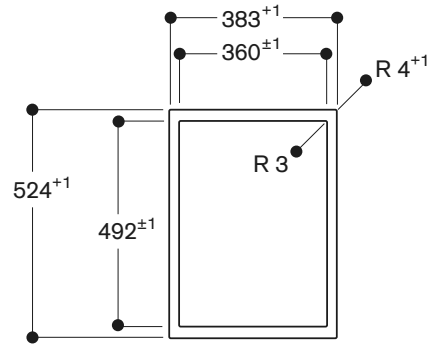
measurements in mm

Installation of the control knob; flush installation

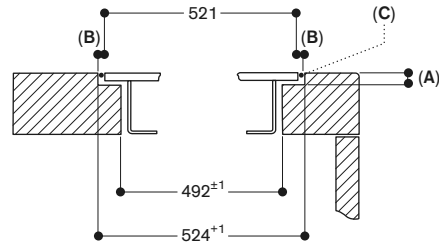


measurements in mm

View from above



Cross-section



- A: 6.5^{+0.5}
- B: 1.5
- C: Fill with silicone

measurements in mm



VI 422 113

Stainless steel frame
Width 38 cm

Installation accessories

VA 420 004

Connection strip for combination with other Vario appliances of the 400 series for flush mounting

VA 420 010

Connection strip for combination with other Vario appliances of the 400 series for surface mounting

Special accessories

CA 051 300

Teppan Yaki plate made of multi ply material
For flex induction cooktop.

CA 052 300

Griddle plate in cast aluminum
Non-stick.

For flex induction cooktop.

GP 900 001

Stainless steel frying sensor pan
Non-stick coating, ø 15 cm.

GP 900 002

Stainless steel frying sensor pan
Non-stick coating, ø 19 cm.

GP 900 003

Stainless steel frying sensor pan
Non-stick coating, ø 21 cm.

Vario flex induction cooktop 400 series VI 422

- Flex function for combining the rectangular cooking areas
- Free positioning of cookware inside combined cooking areas
- Frying sensor function for temperature control in pans
- Easy control of all functions with bicoloured display
- Solid stainless steel control knob
- Precision crafted 3 mm stainless steel
- For surface mounting with a visible edge or for flush mounting
- Can be combined perfectly with other Vario appliances of the 400 series

Cooking zones

2 flex induction cooking areas 24x19 cm (2200 W, with booster 3700 W), linked together 24x38 cm (3300 W, with booster 3700 W).

Handling

Control knobs with illuminated ring, cooking zone and output level markings. Electronic power control in 12 output levels. User friendly control with bicoloured display (white / orange).

Features

Flex function for rectangular cooking areas.
Frying sensor function.
Booster function.
Stopwatch.
Short-term timer.
Options menu.
Power management.
Cooktop-based ventilation control (with suitable hood).

Home network integration for digital services (Home Connect) wireless via WiFi.
The use of the Home Connect functionality depends on the Home Connect services, which are not available in every country. For further information please check: home-connect.com.

Please read additional information on Home Connect on page 345.

Safety

Operation indicator.
Pot detection.
2-stage residual heat indication.
Safety shut-off.

Planning notes

Depending on the type of installation (surface-mounted or flush-mounted), the specific location of the cut-out and the knob positions may vary. The horizontal positioning of the knobs may be aligned with the specific cooking areas. The drawing "Installation of the control knob" must be observed if the panel is more than 23 mm thick (there must be a recess at the rear). If combining several Vario appliances of the 400 series, select combinations with or without appliance cover, and a connection strip VA 420 must be placed between the appliances.

Depending on the type of installation, the corresponding connection strip must be provided.

The bearing capacity and stability, in the case of thin worktops in particular, must be supported using suitable substructures. Take into account the appliance weight and additional loads. Additional instructions for flush mounting: Installation is possible in worktops made of stone, synthetics or solid wood. Heat resistance and watertight sealing of the cut edges must be observed. Concerning other materials please consult the worktop manufacturer. The groove must be continuous and even, so that uniform placing of the appliance on the gasket is ensured. Do not use discontinuous lining. The joint width may vary due to size tolerances of the combinations and of the worktop cut-out.

Please read additional planning notes on pages 108 – 112.

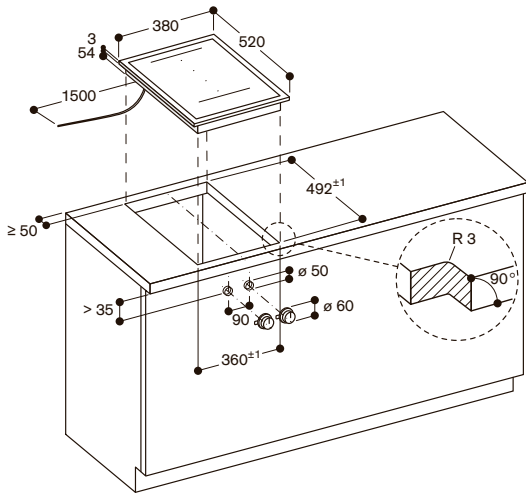
If installing several appliances in individual cut-outs allow for a division bar of minimum 50 mm between the individual cut-outs. Operates with magnetic (induction) iron pots and pans only. For an optimal heat distribution, the use of sandwich bottom cookware is recommended. Appliance can be snapped into the worktop from above. Appliance weight: approx. 10 kg.

Please read the installation details regarding air ducting on page 172.

Connection

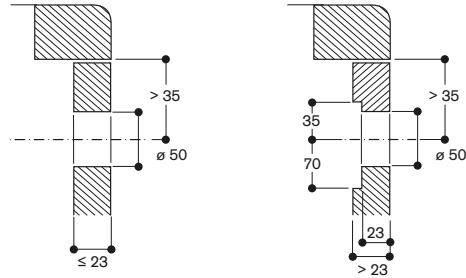
Total connected load 3.7 kW.
Connecting cable 1.5 m without plug.
Power consumption standby/display off 0.5 W.
Power consumption standby/network 1.4 W.
Please check the user manual for how to switch off the WiFi module.



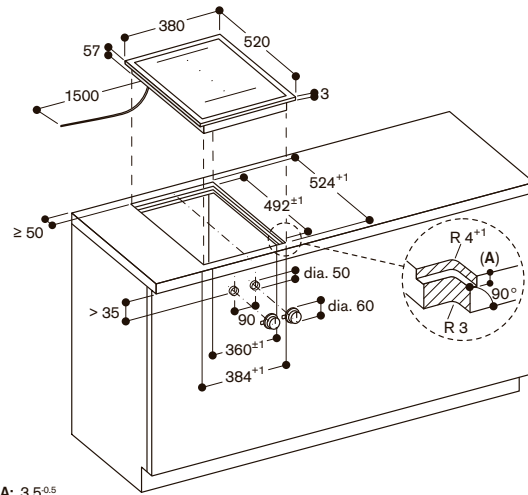


measurements in mm

Installation of the control knob; surface mounting



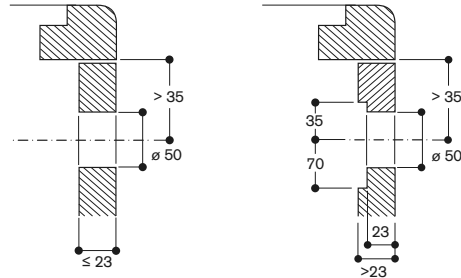
measurements in mm



A: 3.5^{0.5}

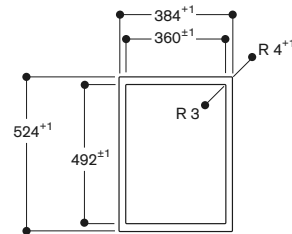
measurements in mm

Installation of the control knob; flush installation



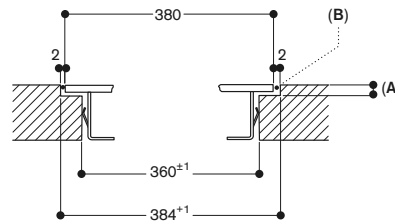
measurements in mm

View from above



measurements in mm

Longitudinal section

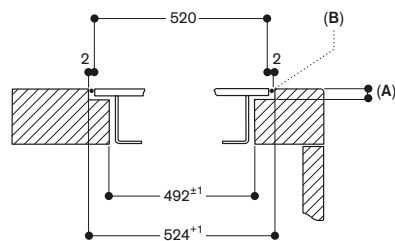


A: 3.5^{0.5}

B: Fill with silicone

measurements in mm

Cross-section



A: 3.5^{0.5}

B: Fill with silicone

measurements in mm



VI 414 104

Frameless
Width 38 cm

Installation accessories

VA 420 004

Connection strip for combination with other Vario appliances of the 400 series for flush mounting

Special accessories

GP 900 001

Stainless steel frying sensor pan
Non-stick coating, ø 15 cm.

GP 900 002

Stainless steel frying sensor pan
Non-stick coating, ø 19 cm.

GP 900 003

Stainless steel frying sensor pan
Non-stick coating, ø 21 cm.

GP 900 004

Stainless steel frying sensor pan
Non-stick coating, ø 28 cm.

WP 400 001

Wok pan made of multiple-layer material
With round bottom and handle,
ø 36 cm, 6 litres, height 10 cm.

WZ 400 000

Wok attachment for wok pan
Only for Vario induction cooktops.

Induction cooktop 400 series

VI 414

- 32 cm cooking zone with booster function
- Ideal for the original wok pan with round bottom, with wok ring
- Frying sensor function for temperature control in pans
- Easy control of all functions with bicoloured display
- Solid stainless steel control knob
- Frameless for flush mounting

Cooking zones

1 induction cooking zone ø 21 cm (2200 W, with booster 3700 W), automatically switches to ø 26 cm (2600 W, with booster 3700 W) and to ø 32 cm (3300 W, with booster 3700 W).

Handling

Control knobs with illuminated ring, cooking zone and output level markings. Electronic power control in 12 output levels. User friendly control with bicoloured display (white / orange).

Features

Frying sensor function.
Booster function.
Stopwatch.
Short-term timer.
Options menu.
Power management.
Cooktop-based ventilation control (with suitable hood).

Home network integration for digital services (Home Connect) wireless via WiFi.

The use of the Home Connect functionality depends on the Home Connect services, which are not available in every country. For further information please check: home-connect.com.

Please read additional information on Home Connect on page 345.

Safety

Operation indicator.
Pot detection.
2-stage residual heat indication.
Safety shut-off.

Planning notes

The drawing "Installation of the control knob" must be observed if the panel is more than 23 mm thick (there must be a recess at the rear).

The bearing capacity and stability, in the case of thin worktops in particular, must be supported using suitable substructures. Take into account the appliance weight and additional loads. Installation is possible in worktops made of stone, synthetics or solid wood. Heat resistance and watertight sealing of the cut edges must be observed. Concerning other materials please consult the worktop manufacturer. The groove must be continuous and even, so that uniform placing of the appliance on the gasket is ensured. Do not use discontinuous lining. The joint width may vary due to size tolerances of the combinations and of the worktop cut-out.

If installing several appliances in individual cut-outs allow for a division bar of minimum 50 mm between the individual cut-outs. Operates with magnetic (induction) iron pots and pans only. For an optimal heat distribution, the use of sandwich bottom cookware is recommended. Appliance can be snapped into the worktop from above. Appliance weight: approx. 9 kg.

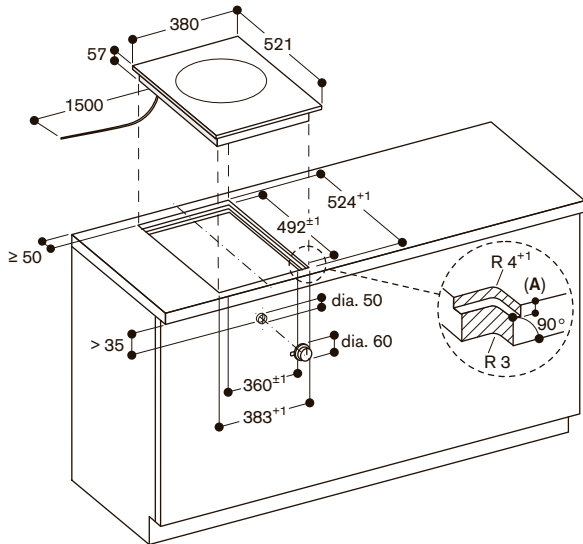
Please read the installation details regarding air ducting on page 172.

Please read additional planning notes on pages 108 – 112.

Connection

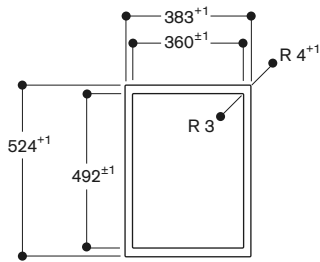
Total connected load 3.7 kW.
Connecting cable 1.5 m without plug.
Power consumption standby/display off 0.5 W.
Power consumption standby/network 1.4 W.
Please check the user manual for how to switch off the WiFi module. Can be combined perfectly with other Vario appliances of the 400 series.





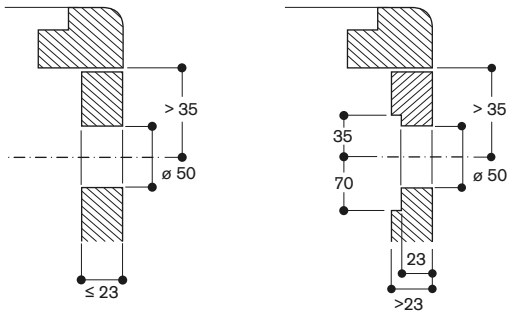
A: $6.5^{+0.5}$
 measurements in mm

View from above



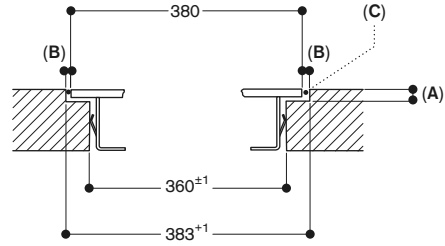
measurements in mm

Installation of the control knob; flush installation



measurements in mm

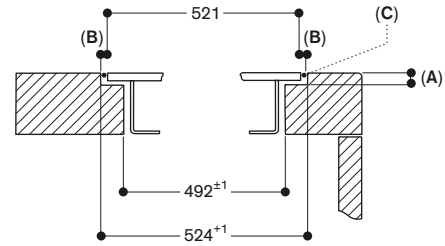
Longitudinal section



A: $6.5^{+0.5}$
 B: 1.5
 C: Fill with silicone

measurements in mm

Cross-section



A: $6.5^{+0.5}$
 B: 1.5
 C: Fill with silicone

measurements in mm



VI 414 113

Stainless steel frame
Width 38 cm

Installation accessories

VA 420 004

Connection strip for combination with other Vario appliances of the 400 series for flush mounting

VA 420 010

Connection strip for combination with other Vario appliances of the 400 series for surface mounting

Special accessories

GP 900 001

Stainless steel frying sensor pan
Non-stick coating, ø 15 cm.

GP 900 002

Stainless steel frying sensor pan
Non-stick coating, ø 19 cm.

GP 900 003

Stainless steel frying sensor pan
Non-stick coating, ø 21 cm.

GP 900 004

Stainless steel frying sensor pan
Non-stick coating, ø 28 cm.

WP 400 001

Wok pan made of multiple-layer material
With round bottom and handle,
ø 36 cm, 6 litres, height 10 cm.

WZ 400 000

Wok attachment for wok pan
Only for Vario induction cooktops.

Vario induction cooktop 400 series

VI 414

- 32 cm cooking zone with booster function
- Ideal for the original wok pan with round bottom, with wok ring
- Frying sensor function for temperature control in pans
- Easy control of all functions with bicoloured display
- Solid stainless steel control knob
- Precision crafted 3 mm stainless steel
- For surface mounting with a visible edge or for flush mounting
- Can be combined perfectly with other Vario appliances of the 400 series

Cooking zones

1 induction cooking zone ø 21 cm (2200 W, with booster 3700 W), automatically switches to ø 26 cm (2600 W, with booster 3700 W) and to ø 32 cm (3300 W, with booster 3700 W).

Handling

Control knobs with illuminated ring, cooking zone and output level markings. Electronic power control in 12 output levels.

User friendly control with bicoloured display (white / orange).

Features

Frying sensor function.

Booster function.

Stopwatch.

Short-term timer.

Options menu.

Power management.

Cooktop-based ventilation control (with suitable hood).

Home network integration for digital services (Home Connect) wireless via WiFi.

The use of the Home Connect functionality depends on the Home Connect services, which are not available in every country. For further information please check: home-connect.com.

Please read additional information on Home Connect on page 345.

Safety

Operation indicator.

Pot detection.

2-stage residual heat indication.

Safety shut-off.

Planning notes

Depending on the type of installation (surface-mounted or flush-mounted), the specific location of the cut-out and the knob positions may vary.

The drawing "Installation of the control knob" must be observed if the panel is more than 23 mm thick (there must be a recess at the rear).

If combining several Vario appliances of the 400 series, select combinations with or without appliance cover, and a connection strip VA 420 must be placed between the appliances.

Depending on the type of installation, the corresponding connection strip must be provided.

The bearing capacity and stability, in the case of thin worktops in particular, must be supported using suitable substructures. Take into account the appliance weight and additional loads. Additional instructions for flush mounting: Installation is possible in worktops made of stone, synthetics or solid wood. Heat resistance and watertight sealing of the cut edges must be observed. Concerning other materials please consult the worktop manufacturer. The groove must be continuous and even, so that uniform placing of the appliance on the gasket is ensured. Do not use discontinuous lining. The joint width may vary due to size tolerances of the combinations and of the worktop cut-out.

Please read additional planning notes on pages 108 – 112.

If installing several appliances in individual cut-outs allow for a division bar of minimum 50 mm between the individual cut-outs.

Operates with magnetic (induction) iron pots and pans only. For an optimal heat distribution, the use of sandwich bottom cookware is recommended. Appliance can be snapped into the worktop from above.

Appliance weight: approx. 10 kg.

Please read the installation details regarding air ducting on page 172.

Connection

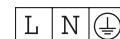
Total connected load 3.7 kW.

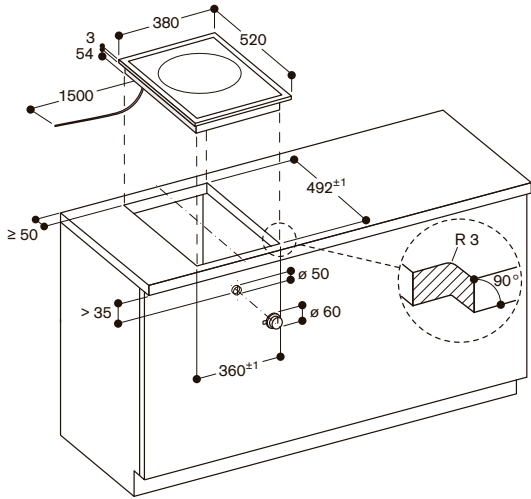
Connecting cable 1.5 m without plug.

Power consumption standby/display off 0.5 W.

Power consumption standby/network 1.4 W.

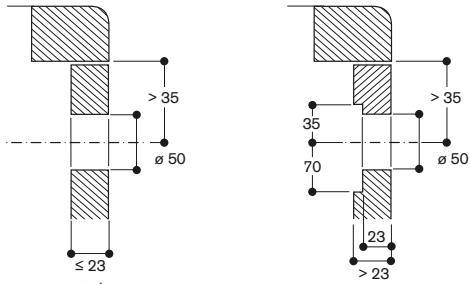
Please check the user manual for how to switch off the WiFi module.



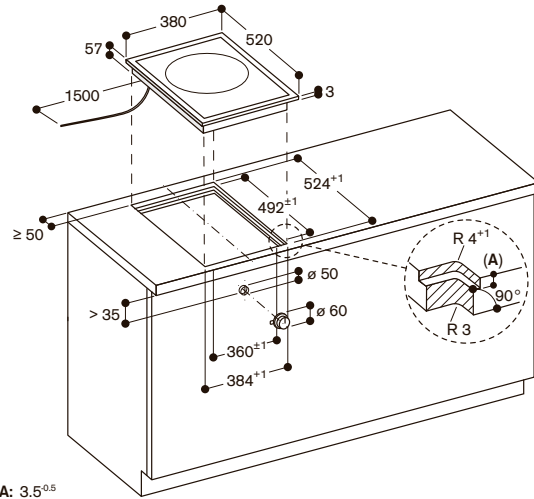


measurements in mm

Installation of the control knob; surface mounting



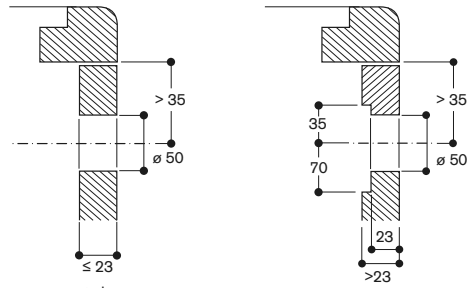
measurements in mm



A: 3.5^{0.5}

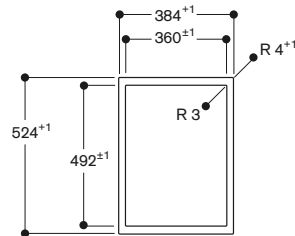
measurements in mm

Installation of the control knob; flush installation



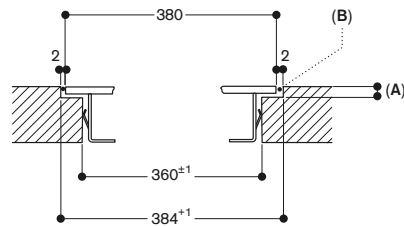
measurements in mm

View from above



measurements in mm

Longitudinal section

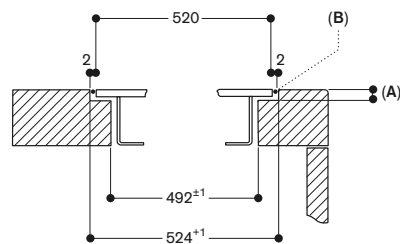


A: 3.5^{0.5}

B: Fill with silicone

measurements in mm

Cross-section



A: 3.5^{0.5}

B: Fill with silicone

measurements in mm



VG 491 111F

Stainless steel
Width 90 cm
Liquid gas 28 – 37 mbar

VG 491 211

Stainless steel
Width 90 cm
Natural gas 20 mbar

Included in the price

1 wok attachment ring

Installation accessories

VA 420 004

Connection strip for combination with other Vario appliances of the 400 series for flush mounting

VA 420 010

Connection strip for combination with other Vario appliances of the 400 series for surface mounting

Special accessories

WP 400 001

Wok pan made of multiple-layer material
With round bottom and handle,
ø 36 cm, 6 litres, height 10 cm.

Vario gas cooktop 400 series

VG 491

- Five multi-ring burners, up to 18 kW
- Full electronic power level regulation on 12 levels
- Precise and reproducible flame size
- Automatic fast ignition, electronic flame monitoring with automatic re-ignition
- Simmer function for cooking on a very low output level
- Solid smooth-surface cast iron pan supports
- Solid stainless steel control knob
- Precision crafted 3 mm stainless steel
- For surface mounting with a visible edge or for flush mounting
- Can be combined perfectly with other Vario appliances of the 400 series

Cooking zones

VG 491 111F

- 1 multi-ring wok burner (300 W – 5800 W), suitable for pots up to max. ø 32 cm.
- 2 two-ring high output burners (165 W – 4000 W), suitable for pots up to max. ø 28 cm.
- 2 two-ring standard burners (165 W – 2000 W), suitable for pots up to max. ø 24 cm.

VG 491 211

- 1 multi-ring wok burner (300 W – 6000 W), suitable for pots up to max. ø 32 cm.
- 2 two-ring high output burners (165 W – 4000 W), suitable for pots up to max. ø 28 cm.
- 2 two-ring standard burners (165 W – 2000 W), suitable for pots up to max. ø 24 cm.

Handling

Control knobs with illuminated ring, cooking zone and output level markings. One-handed operation.
Full electronic control in 12 output levels for exact power level regulation plus simmer function.
Automatic fast ignition.

Features

Simmer function.
Three-part cast iron pan support with flat, continuous pot surface.
Brass burner rings.

Safety

Electronic flame monitoring with automatic re-ignition.
Residual heat indication.
Safety shut-off.

Planning notes

Depending on the type of installation (surface-mounted or flush-mounted, with or without an appliance cover), the specific location of the cut-out and the knob positions may vary.
The horizontal positioning of the knobs may be aligned with the specific burners.
The drawing "Installation of the control knob" must be observed if the panel is more than 23 mm thick (there must be a recess at the rear).

If combining several Vario appliances of the 400 series, select combinations with or without appliance cover, and a connection strip VA 420 must be placed between the appliances. Depending on the type of installation, the corresponding connection strip must be provided.

The bearing capacity and stability, in the case of thin worktops in particular, must be supported using suitable substructures. Take into account the appliance weight and additional loads. Additional instructions for flush mounting: Installation is possible in worktops made of stone, synthetics or solid wood. Heat resistance and watertight sealing of the cut edges must be observed. Concerning other materials please consult the worktop manufacturer. The groove must be continuous and even, so that uniform placing of the appliance on the gasket is ensured. Do not use discontinuous lining. The joint width may vary due to size tolerances of the combinations and of the worktop cut-out.

Please read additional planning notes on pages 108 – 112.

If installing several appliances in individual cut-outs allow for a division bar of minimum 50 mm between the individual cut-outs.

Special nozzles can be ordered as spare parts.

Plan for an electrical connection (the appliance is not operable without power supply).

Air intake from above.

No intermediate shelf required.

Rear panel and wall trims must be heat-resistant and consist of a non-flammable material.

A minimum lateral clearance of at least 300 mm from adjacent heat-sensitive furniture or contact surfaces must be observed or thermal insulation fitted.

Installation in a 90 cm wide lower cabinet is required.

The combination with VL 414 is not recommended, since the air extraction from the centre burner cannot be guaranteed due to the distance.

With a total connected load of more than 11 kW local regulations concerning room ventilation, room size and combination of extraction or recirculation hoods must be observed.

The minimum distance between the cooktop surface and a cabinet above, out of combustible material, needs to be 76 cm.

The minimum distance to a ventilation above is shown at the planning hints for the individual ventilation product.

Appliance can be snapped into the worktop from above.

Appliance weight: approx. 31 kg.

Connection

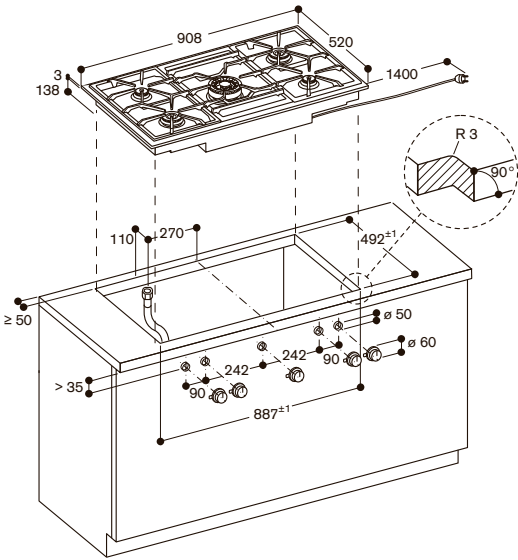
Total connected load gas

17.8/18.0 kW.

Total connected load electric

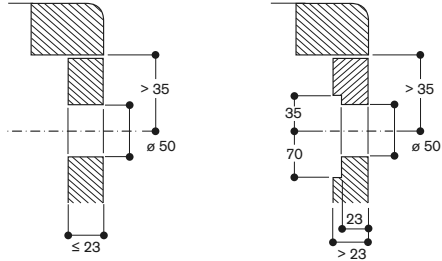
15.0/15.0 W.

Connecting cable 1.4 m with plug.

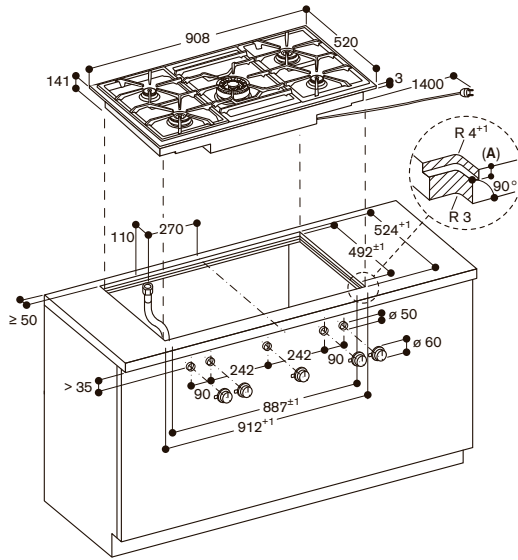


measurements in mm

Installation of the control knob; surface mounting



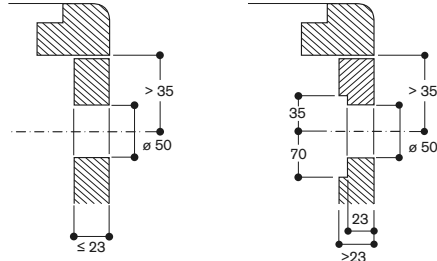
measurements in mm



A: 3.5^{±0.5}
6.5^{±0.5} in combinations with frameless induction cooktops

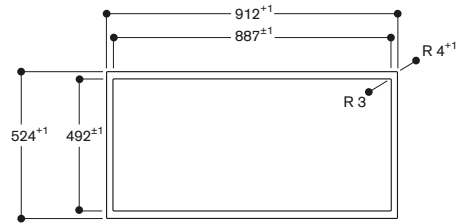
measurements in mm

Installation of the control knob; flush installation



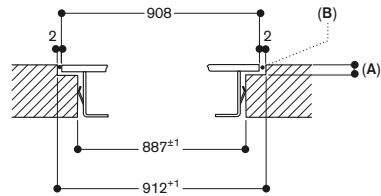
measurements in mm

View from above



measurements in mm

Longitudinal section

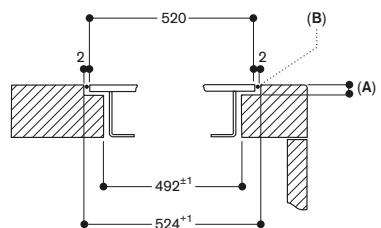


A: 3.5^{±0.5}
6.5^{±0.5} in combinations with frameless induction cooktops

B: Fill with silicone

measurements in mm

Cross-section



A: 3.5^{±0.5}
6.5^{±0.5} in combinations with frameless induction cooktops

B: Fill with silicone

measurements in mm



VG 415 111F

Stainless steel
Width 38 cm
Liquid gas 28 – 37 mbar
Wok burner with up to 5.8 kW

VG 415 211

Stainless steel
Width 38 cm
Natural gas 20 mbar
Wok burner with up to 6 kW

Included in the price

1 wok attachment ring

Installation accessories

VA 420 004
Connection strip for combination with other Vario appliances of the 400 series for flush mounting

VA 420 010
Connection strip for combination with other Vario appliances of the 400 series for surface mounting

VA 440 010
Stainless steel appliance cover with mounting strip

Special accessories

WP 400 001
Wok pan made of multiple-layer material
With round bottom and handle,
ø36 cm, 6 litres, height 10 cm.

Vario gas wok 400 series

VG 415

- Multi-ring burner with up to 6 kW
- Full electronic power level regulation on 12 levels
- Precise and reproducible flame size
- Automatic fast ignition, electronic flame monitoring with automatic re-ignition
- Simmer function for cooking on a very low output level
- Solid stainless steel control knob
- Precision crafted 3 mm stainless steel
- For surface mounting with a visible edge or for flush mounting
- Can be combined perfectly with other Vario appliances of the 400 series

Cooking zones

VG 415 111F
1 multi-ring wok burner
(300 W – 5800 W), suitable for pots up to max. ø 32 cm.

VG 415 211
1 multi-ring wok burner
(300 W – 6000 W), suitable for pots up to max. ø 32 cm.

Handling

Control knobs with illuminated ring, cooking zone and output level markings. On the left-hand side.
Full electronic control in 12 output levels for exact power level regulation plus simmer function.
Automatic fast ignition.

Features

Simmer function.
Cast iron pan support with flat, continuous pot surface.
Brass burner rings.

Safety

Electronic flame monitoring with automatic re-ignition.
Residual heat indication.
Safety shut-off.

Planning notes

Depending on the type of installation (surface-mounted or flush-mounted, with or without an appliance cover), the specific location of the cut-out and the knob positions may vary.
The drawing "Installation of the control knob" must be observed if the panel is more than 23 mm thick (there must be a recess at the rear).
If combining several Vario appliances of the 400 series, select combinations with or without appliance cover, and a connection strip VA 420 must be placed between the appliances.
Depending on the type of installation, the corresponding connection strip must be provided.
The bearing capacity and stability, in the case of thin worktops in particular, must be supported using suitable substructures. Take into account the appliance weight and additional loads.
Additional instructions for flush mounting: Installation is possible in worktops made of stone, synthetics or solid wood. Heat resistance and watertight sealing of the cut edges must be observed. Concerning other materials please consult the worktop manufacturer.

The groove must be continuous and even, so that uniform placing of the appliance on the gasket is ensured. Do not use discontinuous lining. The joint width may vary due to size tolerances of the combinations and of the worktop cut-out.

Please read additional planning notes on pages 108 – 112.

If installing several appliances in individual cut-outs allow for a division bar of minimum 50 mm between the individual cut-outs.

Special nozzles can be ordered as spare parts.

Plan for an electrical connection (the appliance is not operable without power supply).

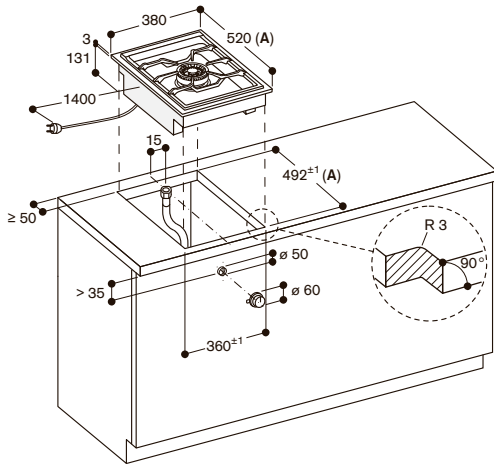
Air intake from above.
No intermediate shelf required.
Rear panel and wall trims must be heat-resistant and consist of a non-flammable material.
A minimum clearance of at least 150 mm from adjacent heat-sensitive furniture or contact surfaces must be observed or thermal insulation fitted.
If operated next to the downdraft ventilation VL 414, the ventilation moulding AA 414 is recommended to ensure maximum performance of the cooktop.

With a total connected load of more than 11 kW local regulations concerning room ventilation, room size and combination of extraction or recirculation hoods must be observed. The minimum distance between the cooktop surface and a cabinet above, out of combustible material, needs to be 70 cm.

The minimum distance to a ventilation above is shown at the planning hints for the individual ventilation product. Appliance can be snapped into the worktop from above.
Appliance weight: approx. 15 kg.

Connection

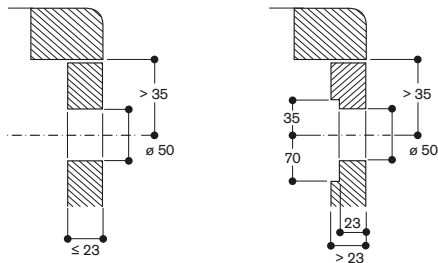
Total connected load gas 5.8/6.0 kW.
Total connected load electric 15.0/15.0 W.
Connecting cable 1.4 m with plug.



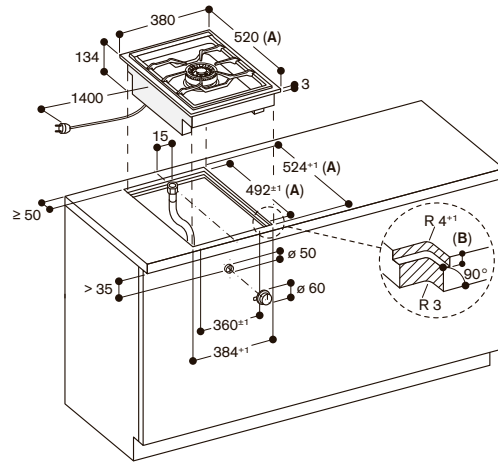
A: When installing with appliance cover, take the deeper cut-out into consideration (observe separate planning notes)

measurements in mm

Installation of the control knob; surface mounting



measurements in mm

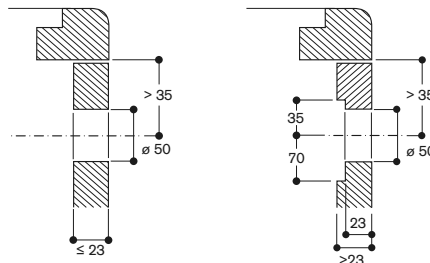


A: When installing with appliance cover consider the deeper cut-out (observe separate planning notes)

B: 3.5^{+0.5} mm
6.5^{+0.5} mm in combinations with frameless induction cooktops

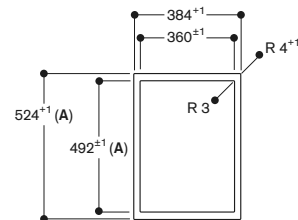
Measurements in mm

Installation of the control knob; flush installation



measurements in mm

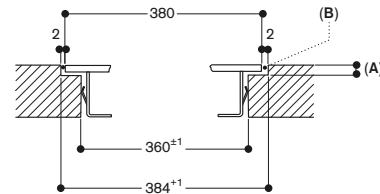
View from above



A: When installing with appliance cover, take the deeper cut-out into consideration (observe separate planning notes)

measurements in mm

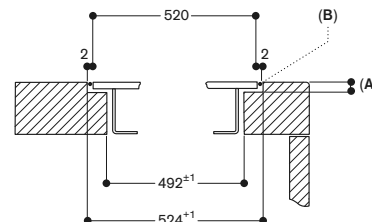
Longitudinal section



A: 3.5^{+0.5}
6.5^{+0.5} in combinations with frameless induction cooktops
B: Fill with silicone

measurements in mm

Cross-section



A: 3.5^{+0.5}
6.5^{+0.5} in combinations with frameless induction cooktops
B: Fill with silicone

When installing with appliance cover, pay attention to the deeper cut-out and the front and rear groove width.

measurements in mm



VG 425 111F

Stainless steel
Width 38 cm
Liquid gas 28 – 37 mbar

VG 425 211

Stainless steel
Width 38 cm
Natural gas 20 mbar

Installation accessories

VA 420 004

Connection strip for combination with other Vario appliances of the 400 series for flush mounting

VA 420 010

Connection strip for combination with other Vario appliances of the 400 series for surface mounting

VA 440 010

Stainless steel appliance cover with mounting strip

Vario gas cooktop 400 series

VG 425

- Multi-ring burner with up to 4 kW
- Full electronic power level regulation on 12 levels
- Precise and reproducible flame size
- Automatic fast ignition, electronic flame monitoring with automatic re-ignition
- Simmer function for cooking on a very low output level
- Solid stainless steel control knob
- Precision crafted 3 mm stainless steel
- For surface mounting with a visible edge or for flush mounting
- Can be combined perfectly with other Vario appliances of the 400 series

Cooking zones

VG 425 111F

1 two-ring high output burner (165 W – 4000 W), suitable for pots up to max. ø 28 cm.
1 two-ring standard output burner (165 W – 2000 W), suitable for pots up to max. ø 24 cm.

VG 425 211

1 two-ring high output burner (165 W – 4000 W), suitable for pots up to max. ø 28 cm.
1 two-ring standard output burner (165 W – 2000 W), suitable for pots up to max. ø 24 cm.

Handling

Control knobs with illuminated ring, cooking zone and output level markings. One-handed operation. Full electronic control in 12 output levels for exact power level regulation plus simmer function. Automatic fast ignition.

Features

Simmer function.
Cast iron pan support with flat, continuous pot surface.
Brass burner rings.

Safety

Electronic flame monitoring with automatic re-ignition.
Residual heat indication.
Safety shut-off.

Planning notes

Depending on the type of installation (surface-mounted or flush-mounted, with or without an appliance cover), the specific location of the cut-out and the knob positions may vary.

The drawing "Installation of the control knob" must be observed if the panel is more than 23 mm thick (there must be a recess at the rear).

If combining several Vario appliances of the 400 series, select combinations with or without appliance cover, and a connection strip VA 420 must be placed between the appliances.

Depending on the type of installation, the corresponding connection strip must be provided.

The bearing capacity and stability, in the case of thin worktops in particular, must be supported using suitable substructures. Take into account the appliance weight and additional loads.

Additional instructions for flush mounting:

Installation is possible in worktops made of stone, synthetics or solid wood. Heat resistance and watertight sealing of the cut edges must be observed. Concerning other materials please consult the worktop manufacturer. The groove must be continuous and even, so that uniform placing of the appliance on the gasket is ensured. Do not use discontinuous lining. The joint width may vary due to size tolerances of the combinations and of the worktop cut-out.

Please read additional planning notes on pages 108 – 112.

If installing several appliances in individual cut-outs allow for a division bar of minimum 50 mm between the individual cut-outs.

Special nozzles can be ordered as spare parts.

Plan for an electrical connection (the appliance is not operable without power supply).

Air intake from above.

No intermediate shelf required.

Rear panel and wall trims must be heat-resistant and consist of a non-flammable material.

A minimum clearance of at least 150 mm from adjacent heat-sensitive furniture or contact surfaces must be observed or thermal insulation fitted. If operated next to the downdraft ventilation VL 414, the ventilation moulding AA 414 is recommended to ensure maximum performance of the cooktop.

With a total connected load of more than 11 kW local regulations concerning room ventilation, room size and combination of extraction or recirculation hoods must be observed. The minimum distance between the cooktop surface and a cabinet above, out of combustible material, needs to be 70 cm.

The minimum distance to a ventilation above is shown at the planning hints for the individual ventilation product. Appliance can be snapped into the worktop from above.

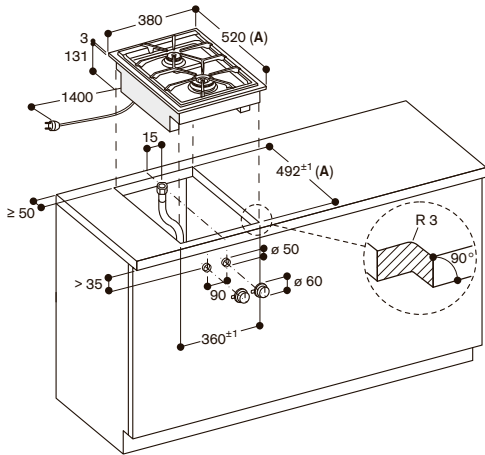
Appliance weight: approx. 14 kg.

Connection

Total connected load gas 6.0/6.0 kW.

Total connected load electric 15.0/15.0 W.

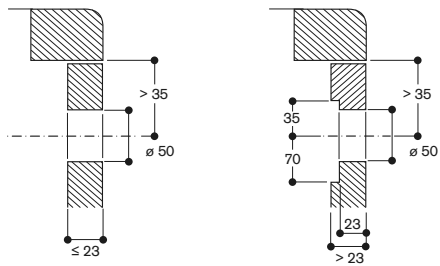
Connecting cable 1.4 m with plug.



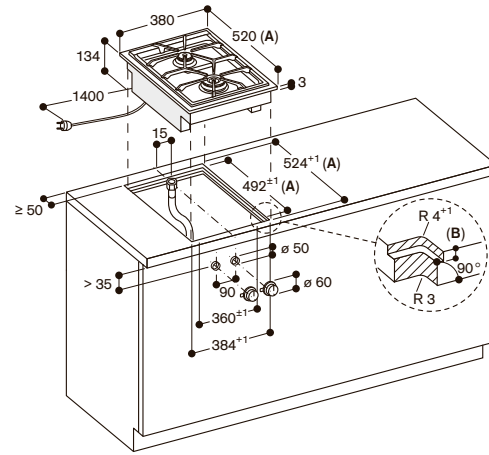
A: When installing with appliance cover, take the deeper cut-out into consideration (observe separate planning notes)

measurements in mm

Installation of the control knob; surface mounting



measurements in mm

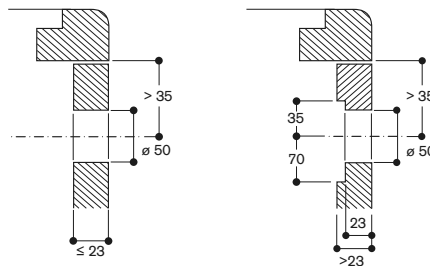


A: When installing with appliance cover consider the deeper cut-out (observe separate planning notes)

B: 3.5^{±0.5}
6.5^{±0.5} in combinations with frameless induction cooktops

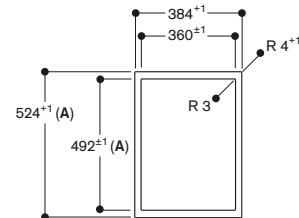
measurements in mm

Installation of the control knob; flush installation



measurements in mm

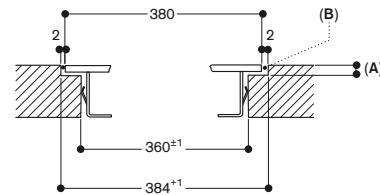
View from above



A: When installing with appliance cover take the deeper cut-out into consideration (observe separate planning notes)

measurements in mm

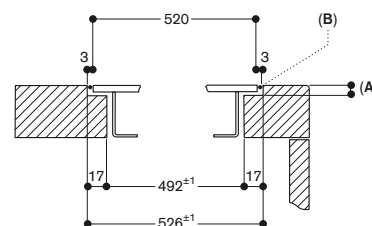
Longitudinal section



A: 3.5^{±0.5}
6.5^{±0.5} in combinations with frameless induction cooktops
B: Fill with silicone

measurements in mm

Cross-section



A: 3.5^{±0.5}
B: Fill with silicone

When installing with appliance cover, pay attention to the deeper cut-out and the front and rear groove width.

measurements in mm



VP 414 111
Stainless steel
Width 38 cm

Included in the price
2 spatula

Installation accessories
VA 420 004
Connection strip for combination with other Vario appliances of the 400 series for flush mounting
VA 420 010
Connection strip for combination with other Vario appliances of the 400 series for surface mounting
VA 440 010
Stainless steel appliance cover with mounting strip

Vario Teppan Yaki 400 series
VP 414

- Cooking directly on the hard-chromed metal surface, without any pots or pans
- Exact temperature control up to 240 °C
- Optimum heat distribution
- Solid stainless steel control knob
- Precision crafted 3 mm stainless steel
- For surface mounting with a visible edge or for flush mounting
- Can be combined perfectly with other Vario appliances of the 400 series

Cooking zones
Usable area W 31 x D 44 cm.

Handling
Control knobs with illuminated ring, cooking zone and temperature markings.
Electronic temperature control from 120 °C to 240 °C.

Features
Two zones, each 1500 W, can be operated together as a complete surface or each half separately. Keeping warm setting. Cleaning stage. Even with traces of use, always easy to clean like a cast pan.

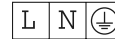
Safety
Safety shut-off.
Pre-heat and residual heat indicator.

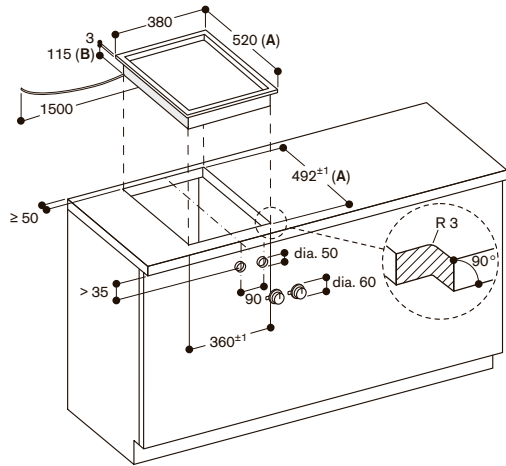
Planning notes
Depending on the type of installation (surface-mounted or flush-mounted, with or without an appliance cover), the specific location of the cut-out and the knob positions may vary.
If combining several Vario appliances of the 400 series, select combinations with or without appliance cover, and a connection strip VA 420 must be placed between the appliances.
Depending on the type of installation, the corresponding connection strip must be provided.
The bearing capacity and stability, in the case of thin worktops in particular, must be supported using suitable substructures. Take into account the appliance weight and additional loads.
Additional instructions for flush mounting: Installation is possible in worktops made of stone, synthetics or solid wood. Heat resistance and watertight sealing of the cut edges must be observed. Concerning other materials please consult the worktop manufacturer. The groove must be continuous and even, so that uniform placing of the appliance on the gasket is ensured. Do not use discontinuous lining. The joint width may vary due to size tolerances of the combinations and of the worktop cut-out.

Please read additional planning notes on pages 108 – 112.

If installing several appliances in individual cut-outs allow for a division bar of minimum 50 mm between the individual cut-outs.
A minimum lateral clearance of at least 40 mm from adjacent heat-sensitive furniture or contact surfaces must be observed or thermal insulation fitted. Appliance can be snapped into the worktop from above.
Appliance weight: approx. 12 kg.

Connection
Total connected load 3.0 kW.
Connecting cable 1.5 m without plug.

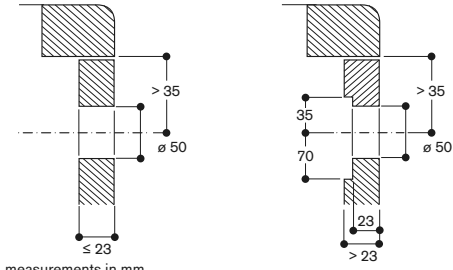




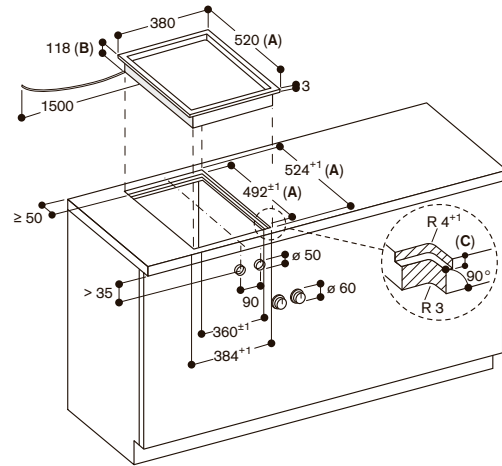
A: When installing with appliance cover, take the deeper cut-out into consideration (observe separate planning notes)
 B: 130 mm in the area of the cable clamp (left, on the rear side)

measurements in mm

Installation of the control knob; surface mounting



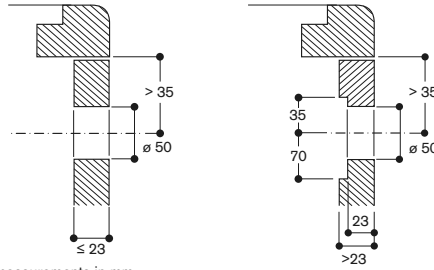
measurements in mm



A: When installing with appliance cover consider the deeper cut-out (observe separate planning notes)
 B: 133 mm in the area of the cable clamp (left, on the rear side)
 C: 3.5^{-0.5}
 6.5^{+0.5} in combinations with frameless induction cooktops

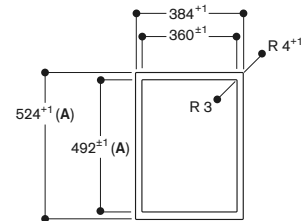
measurements in mm

Installation of the control knob; flush installation



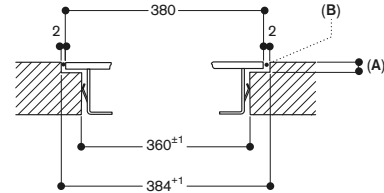
measurements in mm

View from above



measurements in mm

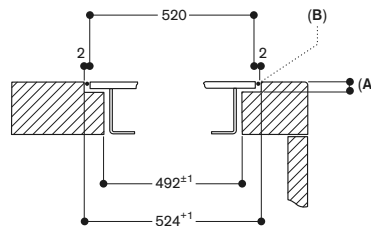
Longitudinal section



A: 3.5^{-0.5}
 6.5^{+0.5} in combinations with frameless induction cooktops
 B: Fill with silicone

measurements in mm

Cross-section



A: 3.5^{-0.5}
 B: Fill with silicone

measurements in mm



VR 414 111
Stainless steel
Width 38 cm

Included in the price

- 1 cast pan, half size
- 2 cast grills
- 1 lava stone
- 1 cleaning brush

Installation accessories

VA 420 004
Connection strip for combination with other Vario appliances of the 400 series for flush mounting

VA 420 010
Connection strip for combination with other Vario appliances of the 400 series for surface mounting

VA 440 010
Stainless steel appliance cover with mounting strip

Special accessories

LV 030 000
Lava stone for refilling

Vario electric grill 400 series

VR 414

- Two zones can be operated together or separately
- Cast pan, half size, for simultaneous frying and grilling on two separate surfaces
- Open cast grill, lava stone
- Solid stainless steel control knob
- Precision crafted 3 mm stainless steel
- For surface mounting with a visible edge or for flush mounting
- Can be combined perfectly with other Vario appliances of the 400 series

Handling

Control knobs with illuminated ring, cooking zone and output level markings. Electronic control in 12 output levels.

Features

Cooktop, lava stone trough and grease collecting insert from stainless steel. Two zones, each 1500 W, can be operated together as a complete surface or each half separately. Two-part cast grill.

Safety

Safety shut-off.
Pre-heat and residual heat indicator.

Planning notes

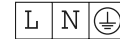
Depending on the type of installation (surface-mounted or flush-mounted, with or without an appliance cover), the specific location of the cut-out and the knob positions may vary. If installing with the appliance cover VA 440 take into account the additional space required for the depth. If combining several Vario appliances of the 400 series, select combinations with or without appliance cover, and a connection strip VA 420 must be placed between the appliances. Depending on the type of installation, the corresponding connection strip must be provided. The bearing capacity and stability, in the case of thin worktops in particular, must be supported using suitable substructures. Take into account the appliance weight and additional loads. Additional instructions for flush mounting: Installation is possible in worktops made of stone, synthetics or solid wood. Heat resistance and watertight sealing of the cut edges must be observed. Concerning other materials please consult the worktop manufacturer. The groove must be continuous and even, so that uniform placing of the appliance on the gasket is ensured. Do not use discontinuous lining. The joint width may vary due to size tolerances of the combinations and of the worktop cut-out.

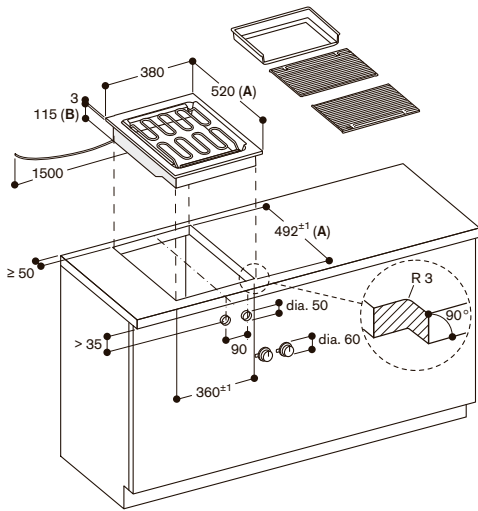
Please read additional planning notes on pages 108 – 112.

If installing several appliances in individual cut-outs allow for a division bar of minimum 50 mm between the individual cut-outs. A minimum lateral clearance of at least 100 mm from adjacent heat-sensitive furniture or from the wall must be observed. Appliance can be snapped into the worktop from above. Appliance weight: approx. 26 kg.

Connection

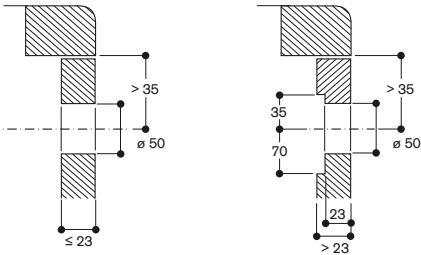
Total connected load 3.0 kW.
Connecting cable 1.5 m without plug.



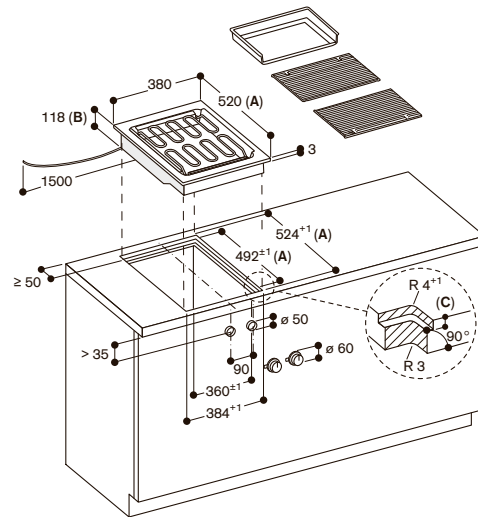


A: When installing with appliance cover, take the deeper cut-out into consideration (observe separate planning notes)
 B: 130 mm in the area of the cable clamp (left, on the rear side)
 measurements in mm

Installation of the control knob; surface mounting

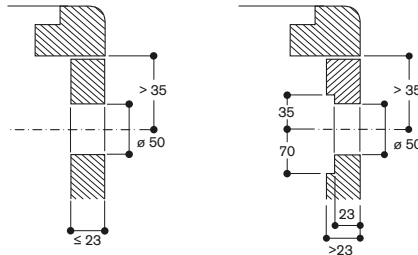


measurements in mm



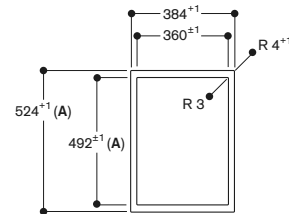
A: When installing with appliance cover consider the deeper cut-out (observe separate planning notes)
 B: 133 mm in the area of the cable clamp (left, on the rear side)
 C: $3.5^{+0.5}$
 $6.5^{+0.5}$ in combinations with frameless induction cooktops
 measurements in mm

Installation of the control knob; flush installation



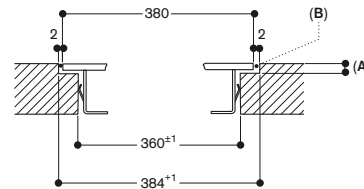
measurements in mm

View from above



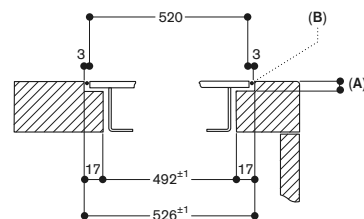
A: When installing with appliance cover, take the deeper cut-out into consideration (observe separate planning notes)
 measurements in mm

Longitudinal section



A: $3.5^{+0.5}$
 $6.5^{+0.5}$ in combinations with frameless induction cooktops
 B: Fill with silicone
 measurements in mm

Cross-section



A: $3.5^{+0.5}$
 B: Fill with silicone

When installing with appliance cover, pay attention to the deeper cut-out and the front and rear groove width.

measurements in mm



VL 414 112
stainless steel
Width 15.5 cm
Air extraction / Air recirculation
Motorless



Installation accessories

AD 410 040

Flexibel connecting piece for VL 200
DN 150 flat

AD 851 041

Connecting piece for extension with
flat duct DN 150 for extra deep worktop

VA 420 004

Connection strip for combination with
other Vario appliances of the 400 series
for flush mounting

VA 420 010

Connection strip for combination with
other Vario appliances of the 400 series
for surface mounting

Special accessories

AA 400 510

Window contact switch

AA 414 010

Ventilation moulding for VL 414 next to
gas appliance.

Installation accessories for air ducting
you will find at the pages 245 – 251.

Vario downdraft ventilation 400 series

VL 414

- Can be combined perfectly flush with other Vario appliances of the 400 series
- Precision crafted 3 mm stainless steel
- Solid stainless steel control knob
- Highly efficient, low noise ventilation system especially with remote fan unit AR 410 110
- Function for automatic, sensor-controlled power adjustment depending on the build-up of cooking vapours
- Minimal planning and easy installation

Output

Power levels depend on the remote fan unit.

Refer to the "Technical specifications" of the hood for the matching remote fan units for air recirculation or air extraction mode.

Features

Control knob with illuminated ring included in delivery.

3 electronically controlled power levels and 1 intensive mode.

Automatic sensor-controlled performance adjustment of the ventilation system.

Automatic sensor controlled or manual run on function.

Large-scale metal grease filter with high grease absorption.

Removable, dishwasher-safe grease filter unit.

Grease filter and activated charcoal filter saturation indicator.

Airflow-optimised interior for efficient air circulation.

Interval ventilation, 6 min.

Enamelled ventilation grille, dishwasher-safe.

Air exhaust bend included in delivery.

Overflow 250 ml capacity.

Cooktop-based ventilation control (with suitable cooktop).

Home network integration for digital services (Home Connect) either via cable connection LAN (recommended) or wireless via WiFi.

The use of the Home Connect functionality depends on the Home Connect services, which are not available in every country. For further information please check: home-connect.com.

Please read additional information on Home Connect on page 345.

Consumption data

Consumption data is referred to a configuration with the remote fan unit AR 403 122.

Energy efficiency class A+ at a range of energy efficiency classes from A+++ to D.

Energy consumption 40.4 kWh/year.

Ventilation efficiency class A.

Illumination efficiency class -.

Grease filter efficiency class B.

Sound level min. 57 dB / max. 71 dB normal mode.

Planning notes

For each VL one remote fan unit is recommended.

Maximum cooktop width between two VL: 80 cm except with CX482.

Vario cooktops like Vario electric grill and Vario gas wok should be placed between 2 VL.

In case of Vario electric grill, recirculation is not recommended.

If operated next to gas appliances, the ventilation moulding AA 414 010 is recommended to ensure maximum performance of the cooktop. Appliance can be snapped into the worktop from above.

Depending on the type of installation (surface-mounted or flush-mounted), the specific location of the cut-out and the knob positions may vary.

If combining several Vario appliances of the 400 series, a connection strip VA 420 must be placed between the appliances. Depending on the type of installation, the corresponding connection strip must be provided.

The bearing capacity and stability, in the case of thin worktops in particular, must be supported using suitable substructures. Take into account the appliance weight and additional loads.

Additional instructions for flush mounting:

Installation is possible in worktops made of stone, synthetics or solid wood. Heat resistance and watertight sealing of the cut edges must be observed. Concerning other materials please consult the worktop manufacturer. The groove must be continuous and even, so that uniform placing of the appliance on the gasket is ensured. Do not use discontinuous lining.

The joint width may vary due to size tolerances of the combinations and of the worktop cut-out.

When installing a ventilation hood with air extraction mode and a chimney-vented fireplace, the power supply line of the ventilation appliance needs a suitable safety switch.

Please read additional planning notes on page 192 – 193.

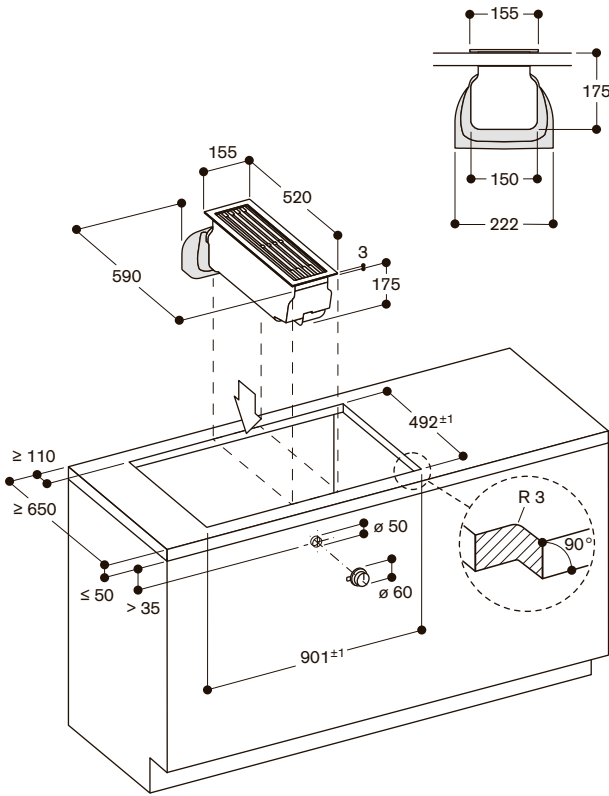
Connection

Total connected load 10 W.

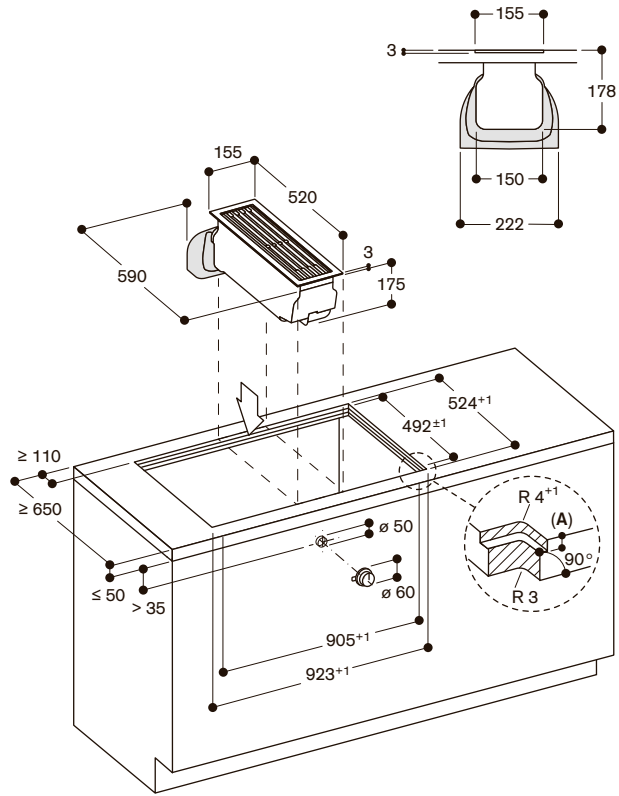
Connecting cable 1.75 m, pluggable.

Plan a LAN cable.

*Energy efficiency class: at a range of energy efficiency classes from A+++ to D.



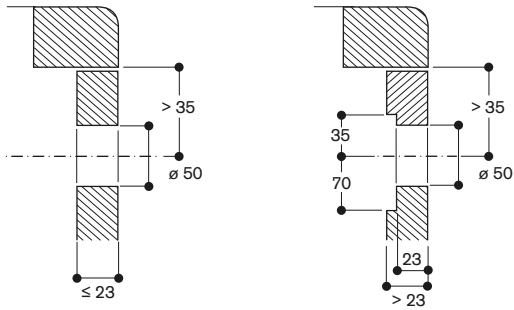
measurements in mm



A: 3.5^{-0.5} in combination with at least one framed appliance
6.5^{+0.5} in combination with at least one frameless induction cooktop

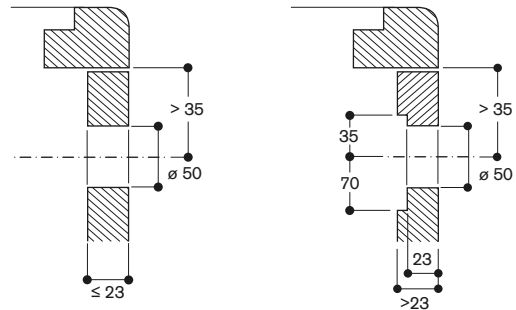
measurements in mm

Installation of the control knob; surface mounting



measurements in mm

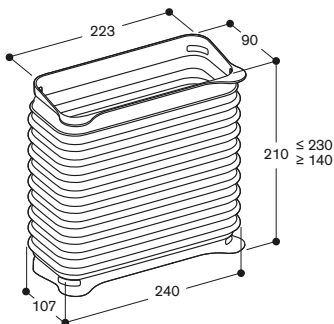
Installation of the control knob; flush installation



measurements in mm

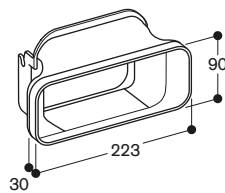
Installation accessories

AD 410 040 : Flexibel connecting piece, DN 150 flat



measurements in mm

AD 851 041: Connecting piece VL for extension with flat duct DN150 for extra deep worktop



measurements in mm



AL 400 122
 stainless steel
 Width 120 cm
 Air extraction / Air recirculation
 Motorless

AL 400 192
 stainless steel
 Width 90 cm
 Air extraction /
 Air recirculation
 Motorless



Necessary installation accessories
 Depending on the connection option
 (front, back, or bottom) one of the
 following accessories must be ordered.

AD 754 049
 Connecting piece for AL 400
 Metal zinc coated
 DN 150 round

AD 854 050
 Connecting piece for AL 400
 Metal zinc coated
 DN 150 flat

Installation accessories

AA 409 401
 Furniture support for table ventilation
 AL 400 90 cm

AA 409 431
 Furniture support for table ventilation
 AL 400 120 cm

AD 704 050
 Air collector box for AL 400
 Metal zinc coated
 DN 150 flat

Special accessories

AA 400 510
 Window contact switch

Installation accessories for air ducting
 you will find at the pages 245 – 251.

Table ventilation 400 series
AL 400

- Extendable table ventilation, when not in use can be completely lowered into the worktop
- Can be combined perfectly with all Vario cooktops 400 series
- Dimmable, neutral white surface LED light for ideal illumination of the cooktop
- Precision crafted 3 mm stainless steel
- For surface mounting with a visible edge or for flush mounting
- Motorless, can be combined with Gaggenau BLDC remote fan units

Output

Power levels depend on the remote fan unit.
 Refer to the "Technical specifications" of the hood for the matching remote fan units for air recirculation or air extraction mode.

Features

3 electronically controlled power levels and 1 intensive mode.
 Interval ventilation, 6 min.
 Run-on function, 6 min.
 Grease filter saturation indicator.
 2 large-scale metal grease filters included, easy to remove and dishwasher-safe.
 Grease drip trays, easy to remove and dishwasher-safe.
 Neutral white surface LED light (3600 K), continuously dimmable.
 Lamp output 2 x 10 W.
 Illuminance 400 lx.
 Flexible connection options to the remote fan unit: at the bottom, at the front or at the back.
 In all the options, it is possible to have space for drawers in front of the table ventilation.

Consumption data

AL 400 192 : Consumption data is referred to a configuration with the remote fan unit AR 400 142.
 Energy efficiency class A at a range of energy efficiency classes from A+++ to D.
 Energy consumption 45.5 kWh/year.
 Ventilation efficiency class A.
 Illumination efficiency class C.
 Grease filter efficiency class B.
 Sound level min. 45 dB / max. 61 dB normal mode.

AL 400 122 : Recommended only in recirculation mode for EU countries, the consumption data is not mandatory in this mode.

Planning notes

AL 400 192 : Combinable with all cooktops Vario 400 series, 400 series and 200 series. Maximum cooktops width: 90 cm.

AL 400 122 : Combinable with all cooktops Vario 400 series and 400 series. Maximum cooktops width: 120 cm. It is recommended to use two remote fan units so that sufficient vapour captation will be ensured.
 For EU countries due to legislation EU 66/2014 only air recirculation is recommended.

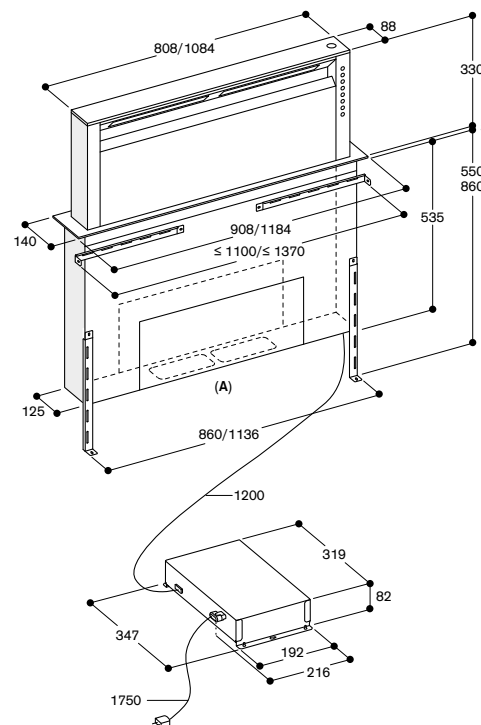
Depending on the type of installation, the corresponding accessories must be ordered separately.
 Air recirculation is not recommended in combination with Vario electric grill.
 Operation of Vario cooking appliances only possible without appliance cover.

Max. output of cooktops 18 kW.
 The table ventilation must have its own worktop cut-out.
 The bearing capacity and stability, in the case of thin worktops in particular, must be supported using suitable substructures. Take into account the appliance weight and additional loads. The remaining surface of the worktop (min. 50 mm) between the cut-outs must be reinforced with a support. It is recommended to use furniture support AA 409 401/431.
 Additional instructions for flush mounting: Installation is possible in worktops made of stone, synthetics or solid wood. Heat resistance and watertight sealing of the cut edges must be observed. Concerning other materials please consult the worktop manufacturer.
 Depending on the type of installation, ovens can be combined with the table ventilation.
 When installing a ventilation hood with air extraction mode and a chimney-vented fireplace, the power supply line of the ventilation appliance needs a suitable safety switch.
 The control unit should be accessible and be secured to a panel of the cabinet that avoids any risk of flooding.

Please read additional planning notes on page 186 – 188

Connection

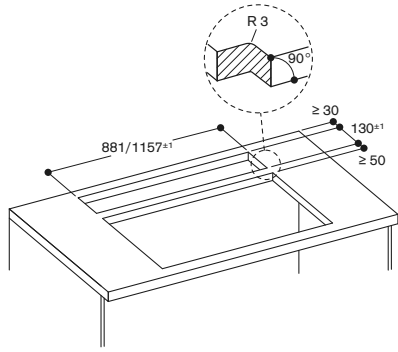
Total connected load 65/65 W
 Connecting cable 1.7 m with plug.
 Network cable 1.2 m.



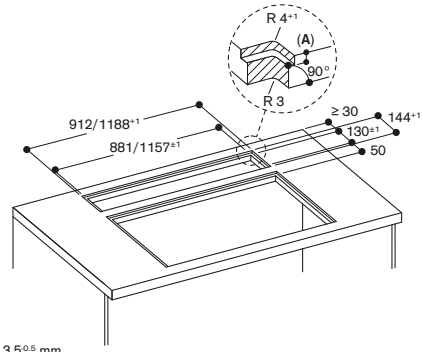
A: Flexible connection of the hood at the front, the back, or at the bottom

Measurements in mm

*Energy efficiency class: at a range of energy efficiency classes from A+++ to D.



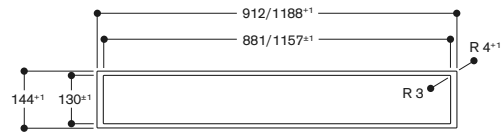
Measurements in mm



A: 3.5^{±0.5} mm

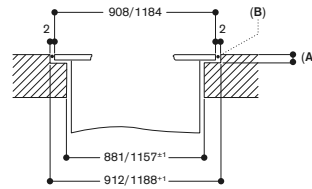
Measurements in mm

View from above



Measurements in mm

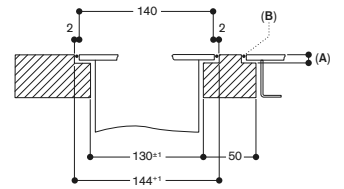
Longitudinal section



A: 3.5^{±0.5} mm
B: Fill with silicone

Measurements in mm

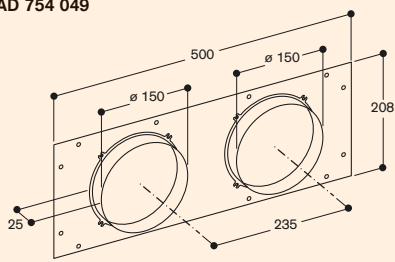
Cross section



A: 3.5^{±0.5} mm
B: Fill with silicone

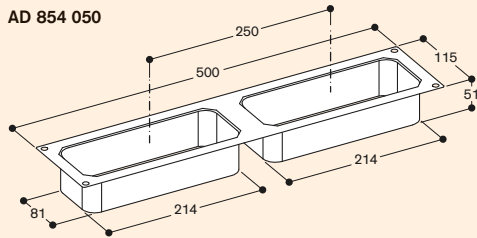
Measurements in mm

AD 754 049



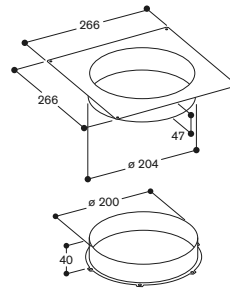
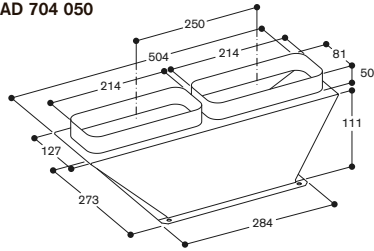
Measurements in mm

AD 854 050



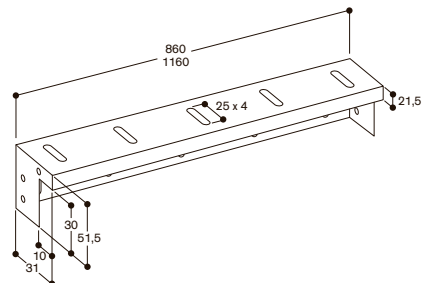
Measurements in mm

AD 704 050



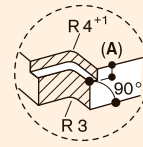
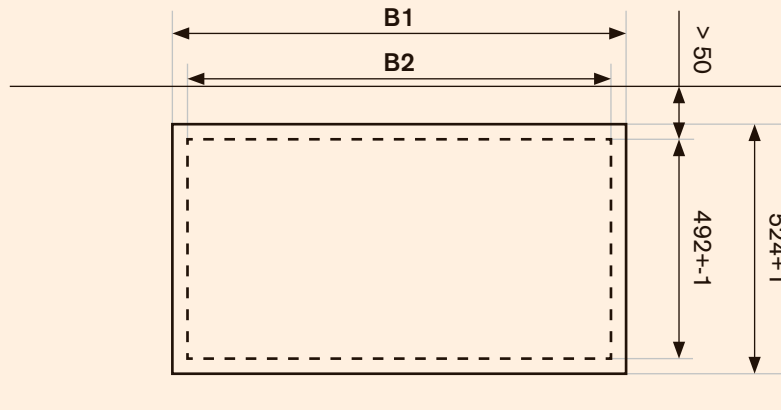
Measurements in mm

AA 409 401/431 furniture support



Sample combinations without VL 414 ventilation element for flush mounting.

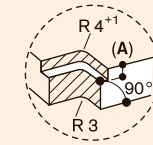
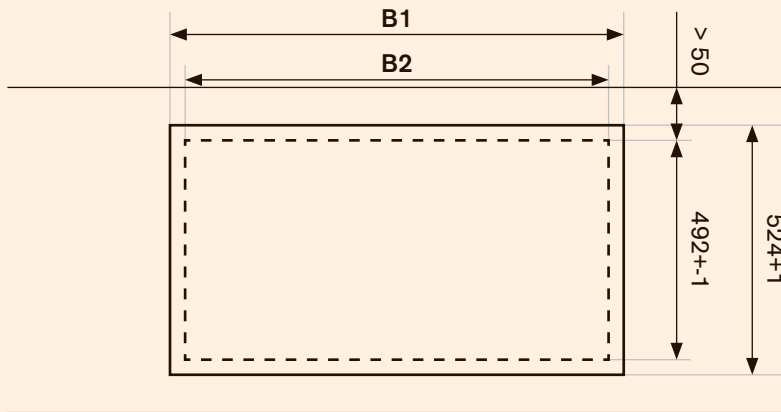
Cut-out dimensions for appliance combinations in the 400 series for flush mounting. The technician can find the suitable cut-out dimensions for the combinations most frequently used by referring to the previous pages and the drawings below



For dimension A:
 3,5 – 0,5 in combinations with only framed appliances
 6,5 +0,5 in combinations with at least one frameless induction cooktops

Cooktops	Appliances size [mm]	Dimension B1 [mm]	Dimension B2 [mm]	# of VA420004
	380 / 380	766 +1	748 +1	1
	380 / 380 / 380	1148 +1	1130 +1	2
	380 / 380 / 380 / 380	1530 +1	1512 +1	3
	591 / 380	977 +1	959 +1	1
	380 / 591 / 380	1359 +1	1341 +1	2
	805 / 380	1191 +1	1173 +1	1
	909 / 380	1295 +1	1277 +1	1

Cut-out dimensions for appliance combinations in the 400 series for flush mounting. The technician can find the suitable cut-out dimensions for the combinations most frequently used by referring to the previous pages and the drawings below

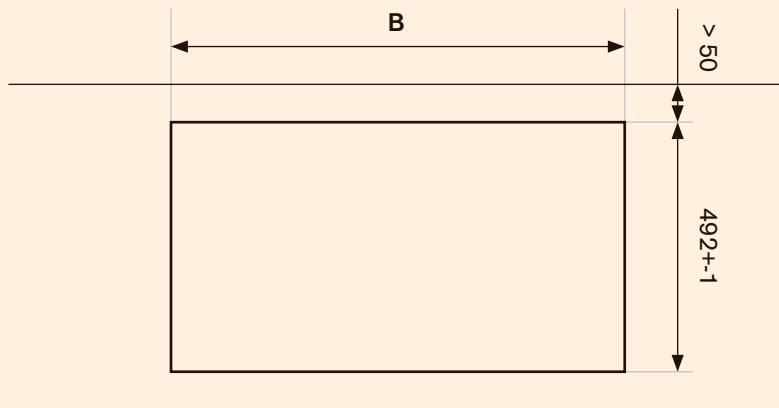






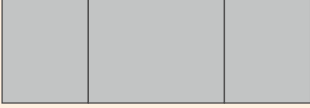

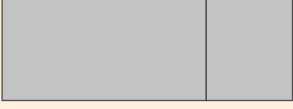
For dimension A:
 3,5 - 0,5 in combinations with only framed appliances
 6,5 +0,5 in combinations with at least one frameless induction cooktops

Cooktops	Appliances size [mm]	Dimension B1 [mm]	Dimension B2 [mm]	# of VA420004
	380 / 155 / 380	923 +1	905 +-1	2
	380 / 155 / 380 / 155	1080 +1	1062 +-1	3
	380 / 155 / 380 / 155 / 380	1462 +1	1444 +-1	4
	380 / 155 / 380 / 155 / 380 / 155 / 380	2001 +1	1983 +-1	6
	380 / 155 / 380 / 380 / 155 / 380	1844 +1	1826 +-1	5
	155 / 591 / 155	909 +1	891 +-1	2
	155 / 591 / 155 / 380	1291 +1	1273 +-1	3
	380 / 155 / 591 / 155 / 380	1673 +1	1655 +-1	4
	380 / 155 / 805 / 155 / 380	1887 +1	1869 +-1	4

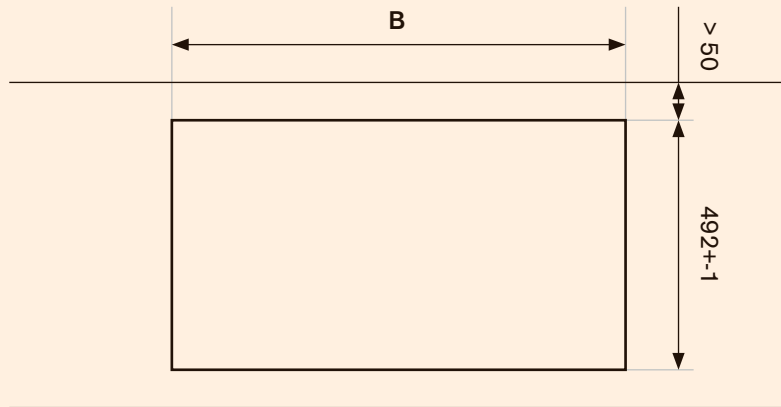
Sample combinations without VL 414 ventilation element for surface mounting.






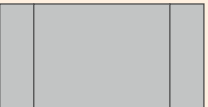


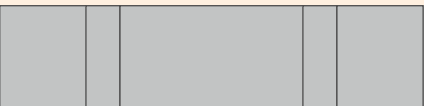
Cut-out dimensions for appliance combinations in the 400 series for Surface mounting. The technician can find the suitable cut-out dimensions for the combinations most frequently used by referring to the previous pages and the drawings below



Cooktops	Appliances size [mm]	Dimension B [mm]	# of VA420010
	380 / 380	743 +-1	1
	380 / 380 / 380	1126 +-1	2
	380 / 380 / 380 / 380	1509 +-1	3
	590 / 380	953 +-1	1
	380 / 590 / 380	1336 +-1	2
	804 / 380	1167 +-1	1
	908 / 380	1271 +-1	1

Cut-out dimensions for appliance combinations in the 400 series for Surface mounting. The technician can find the suitable cut-out dimensions for the combinations most frequently used by referring to the previous pages and the drawings below

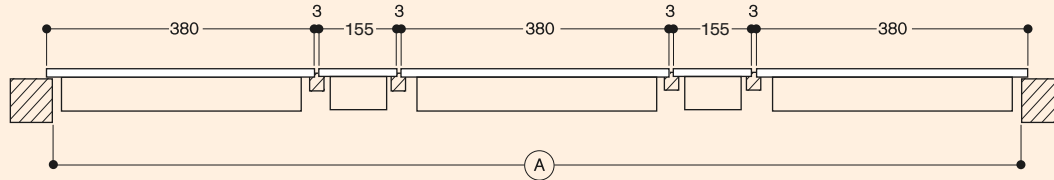


Cooktops	Appliances size [mm]	Dimension B [mm]	# of VA420010
	380 / 155 / 380	901 +-1	2
	380 / 155 / 380 / 155	1059 +-1	3
	380 / 155 / 380 / 155 / 380	1442 +-1	4
	380 / 155 / 380 / 155 / 380 / 155 / 380	1983 +-1	6
	380 / 155 / 380 / 380 / 155 / 380	1825 +-1	5
	155 / 590 / 155	886 +-1	2
	155 / 590 / 155 / 380	1269 +-1	3
	380 / 155 / 590 / 155 / 380	1652 +-1	4
	380 / 155 / 804 / 155 / 380	1866	4

Cut-out dimensions for appliance combinations in the 400 series. Calculator for calculating the width of the cut-out.

Calculation of the width of the cut-out for a surface mounting

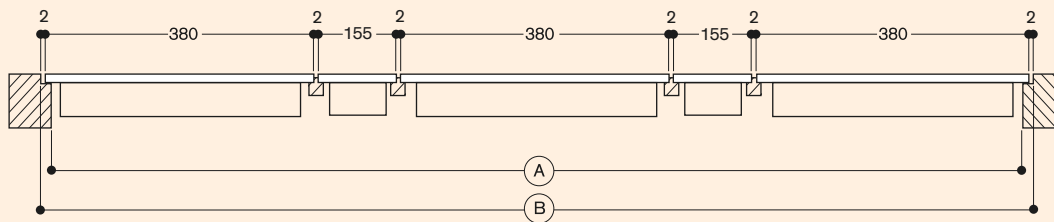
Example using a combination of VI 414, VI 422, VP 414 and 2 VL 414.



		Example		Your combination
Total width of all appliances	in mm	$(3 \times 380) + (2 \times 155)$	1.450
+ Number of connection strips	x 3 mm	4 x 3	+ 12
- Lateral appliance projection	(10 mm / side)	20	- 20	- 20
(A) Total width of the cut-out	(in mm)		1.442 +/- 1 +/- 1

Calculation of the width of the cut-out for a flush mounting

Example using a combination of VI 414, VI 422, VP 414 and 2 VL 414.



		Example		Your combination
Total width of all appliances	in mm	$(3 \times 380) + (2 \times 155)$	1.450
+ Number of connection strips	x 2 mm	4 x 2	+ 8
- Lateral appliance projection	(7 mm / side)	14	- 14	- 14
(A) Total width of the cut-out	(in mm)		1.444 +/- 1 +/- 1
+ Lateral appliance projection	(7 mm / side)	14	+ 14	+ 14
+ Silicone joint (2 mm circumference)		2 x 2	+ 4	+ 4
(B) Total width with groove	(in mm)		1.462 +/- 1 0/+ 1



VI 262 120

Black control panel
Width 60 cm

Included in the price

1 glass scraper

Installation accessories

VV 200 010

Stainless steel connection strip for combination with other Vario appliances of the 200 series

VV 200 020

Black connection strip for combination with other Vario appliances of the 200 series

Special accessories

CA 051 300

Teppan Yaki plate made of multi ply material
For flex induction cooktop.

CA 052 300

Griddle plate in cast aluminum
Non-stick.

For flex induction cooktop.

GP 900 001

Stainless steel frying sensor pan
Non-stick coating, ø 15 cm.

GP 900 002

Stainless steel frying sensor pan
Non-stick coating, ø 19 cm.

GP 900 003

Stainless steel frying sensor pan
Non-stick coating, ø 21 cm.

Vario flex induction cooktop 200 series VI 262

- Can be combined with the cooktops of the Vario 200 series to a harmonic unity
- Control panel for comfortable and secure operation

Cooking zones

2 flex induction cooking areas 23x19 cm (2200 W, with booster 3700 W), linked together 23x38 cm (3300 W, with booster 3700 W).
2 flex induction cooking areas 23x19 cm (2200 W, with booster 3700 W), linked together 23x38 cm (3300 W, with booster 3700 W).

Handling

Control knobs with illuminated ring.
Integrated control panel.
Electronic power control in 9 output levels.

Features

Cooking area marking.
Flex function for rectangular cooking areas.
Frying sensor function.
Pot detection.
Booster function for each cooking area.

Safety

Residual heat indication.
Operation indicator.
Safety shut-off.

Planning notes

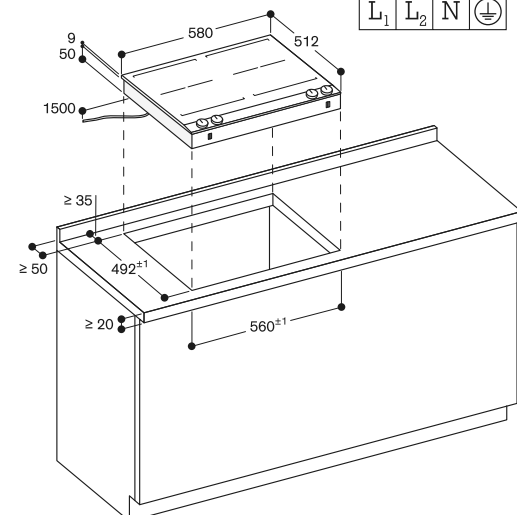
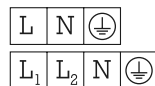
Operates with magnetic (induction) iron pots and pans only. For an optimal heat distribution, the use of sandwich bottom cookware is recommended.
Appliance can be snapped into the worktop from above.
Appliance weight: approx. 17 kg.

Please read the installation details regarding air ducting on page 172.

Please read additional planning notes on page 122 – 123.

Connection

Total connected load 7.4 kW.
Connecting cable 1.5 m without plug.



measurements in mm



VI 242 120

Black control panel
Width 38 cm

Included in the price

1 glass scraper

Installation accessories

VV 200 010

Stainless steel connection strip for combination with other Vario appliances of the 200 series

VV 200 020

Black connection strip for combination with other Vario appliances of the 200 series

Special accessories

CA 051 300

Teppan Yaki plate made of multi ply material
For flex induction cooktop.

CA 052 300

Griddle plate in cast aluminum
Non-stick.

For flex induction cooktop.

GP 900 001

Stainless steel frying sensor pan
Non-stick coating, ø 15 cm.

GP 900 002

Stainless steel frying sensor pan
Non-stick coating, ø 19 cm.

GP 900 003

Stainless steel frying sensor pan
Non-stick coating, ø 21 cm.

Vario flex induction cooktop 200 series VI 242

- Can be combined with the cooktops of the Vario 200 series to a harmonic unity
- Control panel for comfortable and secure operation

Cooking zones

2 flex induction cooking areas 24x19 cm (2200 W, with booster 3700 W), linked together 24x38 cm (3300 W, with booster 3700 W).

Handling

Control knobs with illuminated ring.
Integrated control panel.
Electronic power control in 9 output levels.

Features

Cooking area marking.
Flex function for rectangular cooking areas.
Frying sensor function.
Pot detection.
Booster function for both cooking areas.

Safety

Residual heat indication.
Operation indicator.
Safety shut-off.

Planning notes

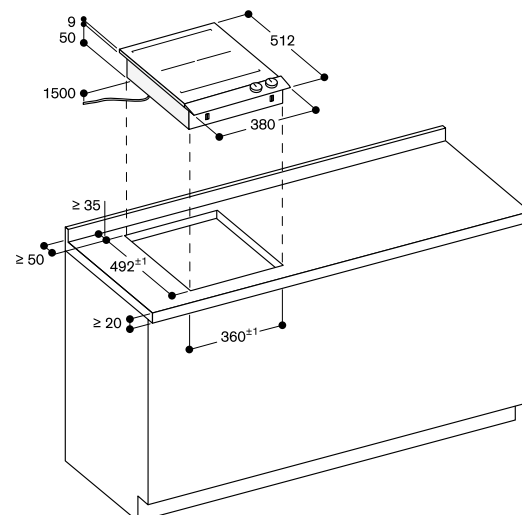
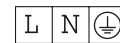
Operates with magnetic (induction) iron pots and pans only. For an optimal heat distribution, the use of sandwich bottom cookware is recommended.
Appliance can be snapped into the worktop from above.
Appliance weight: approx. 9 kg.

Please read the installation details regarding air ducting on page 172.

Please read additional planning notes on page 122 – 123.

Connection

Total connected load 3.7 kW.
Connecting cable 1.5 m without plug.



measurements in mm



VI 232 121

Black control panel
Width 28 cm

Included in the price

1 glass scraper

Installation accessories

VV 200 010

Stainless steel connection strip for combination with other Vario appliances of the 200 series

VV 200 020

Black connection strip for combination with other Vario appliances of the 200 series

Special accessories

CA 051 300

Teppan Yaki plate made of multi ply material
For flex induction cooktop.

CA 052 300

Griddle plate in cast aluminum
Non-stick.
For flex induction cooktop.

GP 900 001

Stainless steel frying sensor pan
Non-stick coating, ø 15 cm.

GP 900 002

Stainless steel frying sensor pan
Non-stick coating, ø 19 cm.

GP 900 003

Stainless steel frying sensor pan
Non-stick coating, ø 21 cm.

VD 200 020

Black appliance cover

Vario flex induction cooktop 200 series

VI 232

- Can be combined with the cooktops of the Vario 200 series to a harmonic unity
- Control panel for comfortable and secure operation

Cooking zones

2 flex induction cooking areas 21x19 cm (2200 W, with booster 3700 W), linked together 21x38 cm (3300 W, with booster 3700 W).

Handling

Control knobs with illuminated ring.
Integrated control panel.
Electronic power control in 9 output levels.

Features

Cooking area marking.
Flex function for rectangular cooking areas.
Frying sensor function.
Pot detection.
Booster function for both cooking areas.

Safety

Residual heat indication.
Operation indicator.
Safety shut-off.

Planning notes

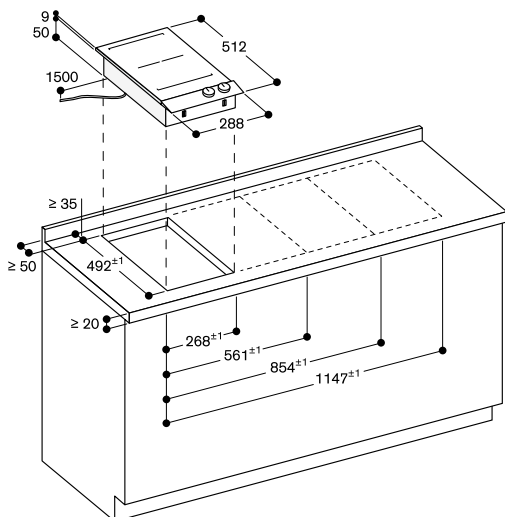
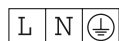
Operates with magnetic (induction) iron pots and pans only. For an optimal heat distribution, the use of sandwich bottom cookware is recommended.
Appliance can be snapped into the worktop from above.
Appliance weight: approx. 9 kg.

Please read the installation details regarding air ducting on page 172.

Please read additional planning notes on page 122 – 123.

Connection

Total connected load 3.7 kW.
Connecting cable 1.5 m without plug.



measurements in mm



VG 264 120F

Black control panel
Width 60 cm
Liquid gas 28 – 37 mbar

VG 264 220

Black control panel
Width 60 cm
Natural gas 20 mbar

Installation accessories

VV 200 010

Stainless steel connection strip for combination with other Vario appliances of the 200 series

VV 200 020

Black connection strip for combination with other Vario appliances of the 200 series

Vario gas cooktop 200 series

VG 264

- Can be combined with the cooktops of the Vario 200 series to a harmonic unity
- Control panel for comfortable and secure operation
- Mechanical power level regulation for 9 power levels, with exact setting and reproduction of flame size
- Solid smooth-surface cast pan supports for easy and safe positioning of cookware
- Up to 9.8 KW on 4 burners

Cooking zones

2 high output burner (560 W - 3000 W), suitable for pots up to max. \varnothing 22 cm.
2 standard burners (380 W – 1900 W), suitable for pots up to max. \varnothing 20 cm.

Handling

Control knobs with illuminated ring.
Integrated control panel.
One-handed operation.
Electric ignition.

Features

Two-part cast iron pan support with continuous pot surface.
Enamelled burner cover.

Safety

Thermoelectric safety pilot.
Residual heat indication.
Operation indicator.

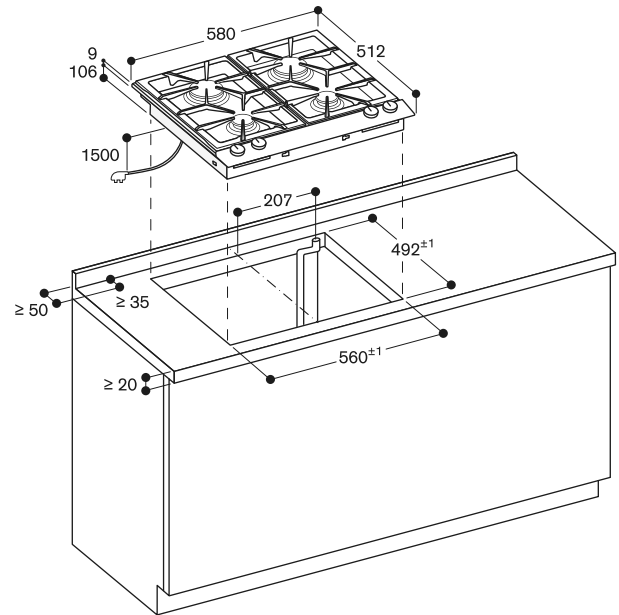
Planning notes

No intermediate shelf required.
Appliance can be snapped into the worktop from above.
A minimum lateral clearance of at least 150 mm from adjacent heat-sensitive furniture or contact surfaces must be observed or thermal insulation fitted.
With a total connected load of more than 11 kW local regulations concerning room ventilation, room size and combination of extraction or recirculation hoods must be observed.
The minimum distance between the cooktop surface and a cabinet above, out of combustible material, needs to be 65 cm.
The minimum distance to a ventilation above is shown at the planning hints for the individual ventilation product.
Appliance weight: approx. 15 kg.

Please read additional planning notes on page 122 – 123.

Connection

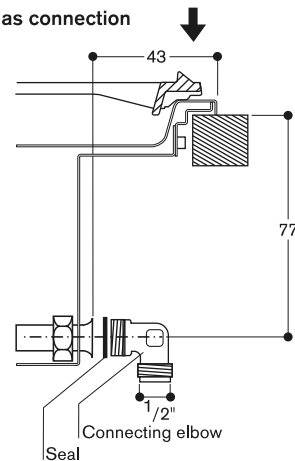
Total connected load gas 9.8/9.8 kW.
Total connected load electric 10.0/10.0 W.
Connecting cable 1.5 m with plug.



Minimum distance from the appliance cut-out to the side wall 150 mm.

measurements in mm

Gas connection



**VG 231 120F**

Black control panel
Width 28 cm
Liquid gas 28 – 37 mbar
Wok burner with up to 5.8 kW

VG 231 220

Black control panel
Width 28 cm
Natural gas 20 mbar
Wok burner with up to 6 kW

Included in the price

1 wok attachment ring

Installation accessories**VV 200 010**

Stainless steel connection strip for combination with other Vario appliances of the 200 series

VV 200 020

Black connection strip for combination with other Vario appliances of the 200 series

Special accessories**VD 200 020**

Black appliance cover

WP 400 001

Wok pan made of multiple-layer material
With round bottom and handle,
ø36 cm, 6 litres, height 10 cm.

Vario gas wok 200 series**VG 231**

- Can be combined with the cooktops of the Vario 200 series to a harmonic unity
- Control panel for comfortable and secure operation
- Mechanical power level regulation for 9 power levels, with exact setting and reproduction of flame size
- Multi-ring burner of solid, heat-resistant brass as used in professional kitchen
- Total output up to 6 KW

Cooking zones**VG 231 120F**

1 multi-ring wok burner (300 W – 5800 W), suitable for pots up to max. ø 30 cm.

VG 231 220

1 multi-ring wok burner (300 W – 6000 W), suitable for pots up to max. ø 30 cm.

Handling

Control knobs with illuminated ring.
Integrated control panel.
One-handed operation.
Electric ignition.
To close the cover, the cast iron pan support can be easily reversed.

Features

Cast iron pan support.
Brass burner rings.

Safety

Thermoelectric safety pilot.
Residual heat indication.
Operation indicator.

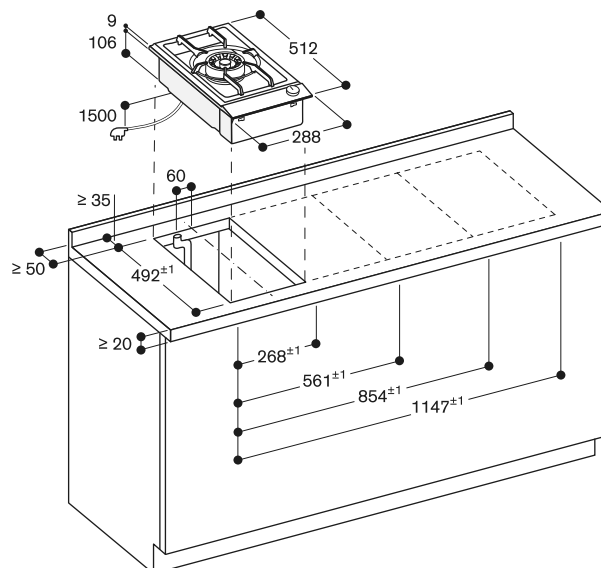
Planning notes

Appliance can be snapped into the worktop from above.
A minimum clearance of at least 150 mm from adjacent heat-sensitive furniture or contact surfaces must be observed or thermal insulation fitted.
With a total connected load of more than 11 kW local regulations concerning room ventilation, room size and combination of extraction or recirculation hoods must be observed.
The minimum distance between the cooktop surface and a cabinet above, out of combustible material, needs to be 65 cm.
The minimum distance to a ventilation above is shown at the planning hints for the individual ventilation product.
Appliance weight: approx. 11 kg.

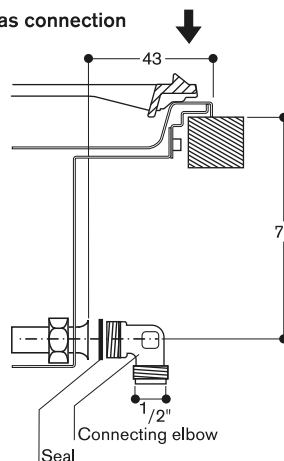
Please read additional planning notes on page 122 – 123.

Connection

Total connected load gas 5.8/6.0 kW.
Total connected load electric 10.0/10.0 W.
Connecting cable 1.5 m with plug.



Minimum distance from the appliance cut-out to the side wall 150 mm.
measurements in mm

Gas connection



VG 232 120F

Black control panel
Width 28 cm
Liquid gas 28 – 37 mbar

VG 232 220

Black control panel
Width 28 cm
Natural gas 20 mbar

Installation accessories

VV 200 010

Stainless steel connection strip for combination with other Vario appliances of the 200 series

VV 200 020

Black connection strip for combination with other Vario appliances of the 200 series

Special accessories

VD 200 020

Black appliance cover

Vario gas cooktop 200 series

VG 232

- Can be combined with the cooktops of the Vario 200 series to a harmonic unity
- Control panel for comfortable and secure operation
- Mechanical power level regulation for 9 power levels, with exact setting and reproduction of flame size
- Solid smooth-surface cast pan supports for easy and safe positioning of cookware

Cooking zones

1 high output burner (560 W - 3000 W), suitable for pots up to max. \varnothing 22 cm.
1 standard burner (380 W - 1900 W), suitable for pots up to max. \varnothing 20 cm.

Handling

Control knobs with illuminated ring.
Integrated control panel.
One-handed operation.
Electric ignition.

Features

Cast pan support with continuous pot surface.
Enamelled burner cover.

Safety

Thermoelectric safety pilot.
Residual heat indication.
Operation indicator.

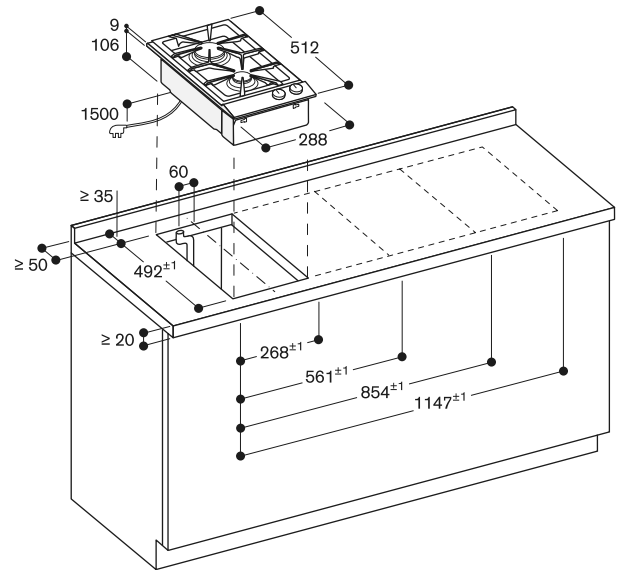
Planning notes

Appliance can be snapped into the worktop from above.
A minimum clearance of at least 150 mm from adjacent heat-sensitive furniture or contact surfaces must be observed or thermal insulation fitted.
With a total connected load of more than 11 kW local regulations concerning room ventilation, room size and combination of extraction or recirculation hoods must be observed.
The minimum distance between the cooktop surface and a cabinet above, out of combustible material, needs to be 65 cm.
The minimum distance to a ventilation above is shown at the planning hints for the individual ventilation product.
Appliance weight: approx. 9 kg.

Please read additional planning notes on page 122 – 123.

Connection

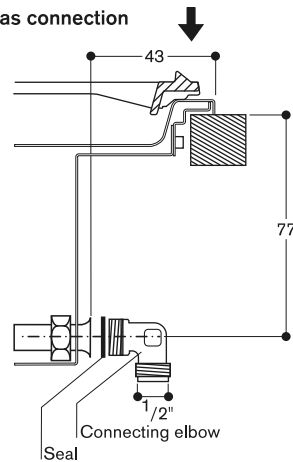
Total connected load gas 4.9/4.9 kW.
Total connected load electric 10.0/10.0 W.
Connecting cable 1.5 m with plug.



Minimum distance from the appliance cut-out to the side wall 150 mm.

measurements in mm

Gas connection



**VP 230 120**

Black control panel
Width 28 cm

Included in the price

2 spatula

Installation accessories**VV 200 010**

Stainless steel connection strip for combination with other Vario appliances of the 200 series

VV 200 020

Black connection strip for combination with other Vario appliances of the 200 series

Special accessories**VD 200 020**

Black appliance cover

Vario Teppan Yaki 200 series**VP 230**

- Can be combined with the cooktops of the Vario 200 series to a harmonic unity
- Control panel for comfortable and secure operation
- Cooking directly on the metal surface, without any pots or pans
- Exact temperature control up to 240 °C
- Keeping warm setting

Cooking zones

Useable area: 844 cm².

Handling

Control knobs with illuminated ring.
Integrated control panel.
Electronic temperature control from 140 °C to 240 °C.

Features

Heating element with 1800 W.
Keeping warm setting.
Cleaning stage.
Stainless steel frame seamlessly welded with the stainless steel surface.

Safety

Pre-heat and residual heat indicator.
Operation indicator.
Safety shut-off.

Planning notes

The distance from the upper edge of the work surface to the upper edge of the intermediate shelf must be at least 150 mm.

Appliance can be snapped into the worktop from above.

A minimum lateral clearance of at least 30 mm from adjacent heat-sensitive furniture or contact surfaces must be observed or thermal insulation fitted.

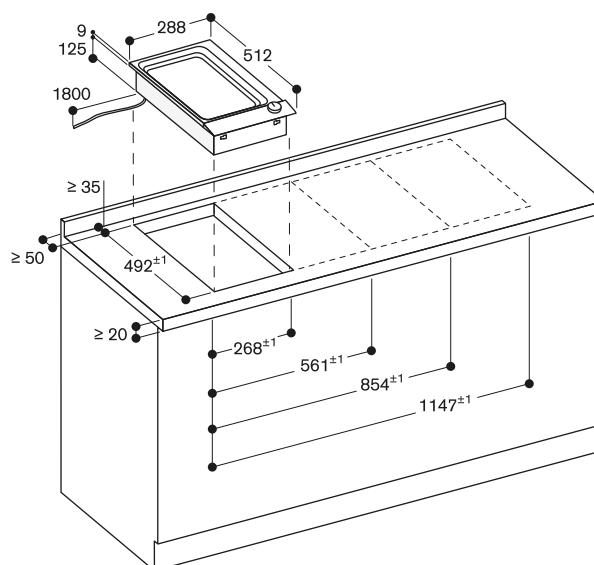
Intermediate shelf required; after installation, this shelf must only be removed using tools to guarantee the touch protection from below.

Appliance weight: approx. 9 kg.

Please read additional planning notes on page 122 – 123.

Connection

Total connected load 1.8 kW.
Connecting cable 1.8 m without plug.



measurements in mm



VG 232 120F

Black control panel
Width 28 cm
Liquid gas 28 – 37 mbar

VG 232 220

Black control panel
Width 28 cm
Natural gas 20 mbar

Installation accessories

VV 200 010

Stainless steel connection strip for combination with other Vario appliances of the 200 series

VV 200 020

Black connection strip for combination with other Vario appliances of the 200 series

Special accessories

VD 200 020

Black appliance cover

Vario gas cooktop 200 series

VG 232

- Can be combined with the cooktops of the Vario 200 series to a harmonic unity
- Control panel for comfortable and secure operation
- Mechanical power level regulation for 9 power levels, with exact setting and reproduction of flame size
- Solid smooth-surface cast pan supports for easy and safe positioning of cookware

Cooking zones

1 high output burner (560 W - 3000 W), suitable for pots up to max. \varnothing 22 cm.
1 standard burner (380 W - 1900 W), suitable for pots up to max. \varnothing 20 cm.

Handling

Control knobs with illuminated ring.
Integrated control panel.
One-handed operation.
Electric ignition.

Features

Cast pan support with continuous pot surface.
Enamelled burner cover.

Safety

Thermoelectric safety pilot.
Residual heat indication.
Operation indicator.

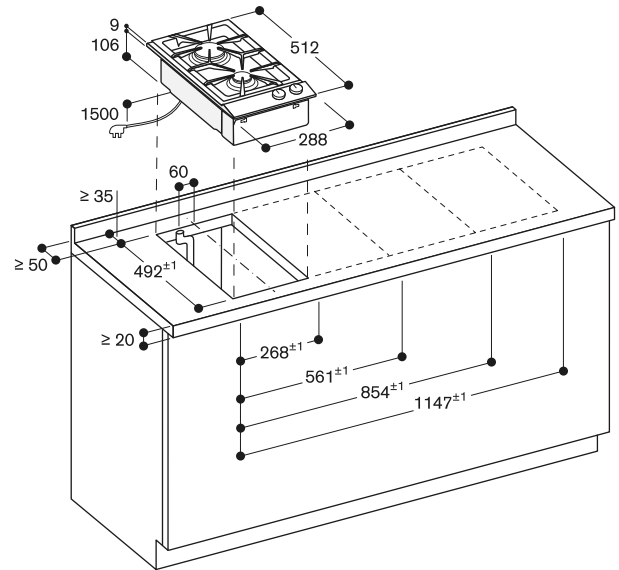
Planning notes

Appliance can be snapped into the worktop from above.
A minimum clearance of at least 150 mm from adjacent heat-sensitive furniture or contact surfaces must be observed or thermal insulation fitted.
With a total connected load of more than 11 kW local regulations concerning room ventilation, room size and combination of extraction or recirculation hoods must be observed.
Minimum clearance between gas cooktop(s) with more than 11 kW and ventilation hood 70 cm.
Appliance weight: approx. 9 kg.

Please read additional planning notes on page 122 – 123.

Connection

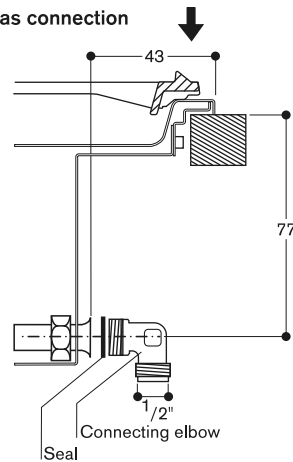
Total connected load gas 4.9/4.9 kW.
Total connected load electric 10.0/10.0 W.
Connecting cable 1.5 m with plug.



Minimum distance from the appliance cut-out to the side wall 150 mm.

measurements in mm

Gas connection





VL 200 120

Black control panel
Width 15 cm
Air extraction / Air recirculation
Motorless



Installation accessories

AD 410 040

Flexibel connecting piece for VL 200
DN 150 flat

AD 851 041

Connecting piece VL200 for extension
with flat duct DN 150 for extra deep
worktop

VV 200 010

Stainless steel connection strip for
combination with other Vario
appliances of the 200 series

VV 200 020

Black connection strip for combination
with other Vario appliances of the
200 series

Special accessories

LS 041 001

Ventilation moulding for VL200 next to
gas appliance
Stainless steel

Installation accessories for air ducting
you will find at the pages 245 – 251.

Vario downdraft ventilation 200 series

VL 200

- Can be combined with the cooktops of the Vario 200 series to a harmonic unity
- Highly efficient ventilation system at the cooktop integrated in the worktop
- Function for automatic, sensor-controlled power adjustment depending on the build-up of cooking vapours
- Minimal planning and easy installation
- Low-noise system with the motor AR410 110
- Air extraction or air recirculation system

Output

Power levels depend on the remote fan unit.

Refer to the "Technical specifications" of the hood for the matching remote fan units for air recirculation or air extraction mode.

Features

Control knobs with illuminated ring.
3 electronically controlled power levels and 1 intensive mode.
Automatic sensor-controlled performance adjustment of the ventilation system.
Automatic sensor controlled or manual run on function.
Large-scale metal grease filter with high grease absorption.
Removable, dishwasher-safe grease filter unit.
Grease filter and activated charcoal filter saturation indicator.
Airflow-optimised interior for efficient air circulation.
Interval ventilation, 6 min.
Enamelled ventilation grille, dishwasher-safe.
Air exhaust bend included in delivery.
Overflow 250 ml capacity.

Consumption data

Consumption data is referred to a configuration with the remote fan unit AR 403 122.
Energy efficiency class A at a range of energy efficiency classes from A+++ to D.
Energy consumption 48.3 kWh/year.
Ventilation efficiency class A.
Illumination efficiency class -.
Grease filter efficiency class B.
Sound level min. 56 dB / max. 71 dB normal mode.

Planning notes

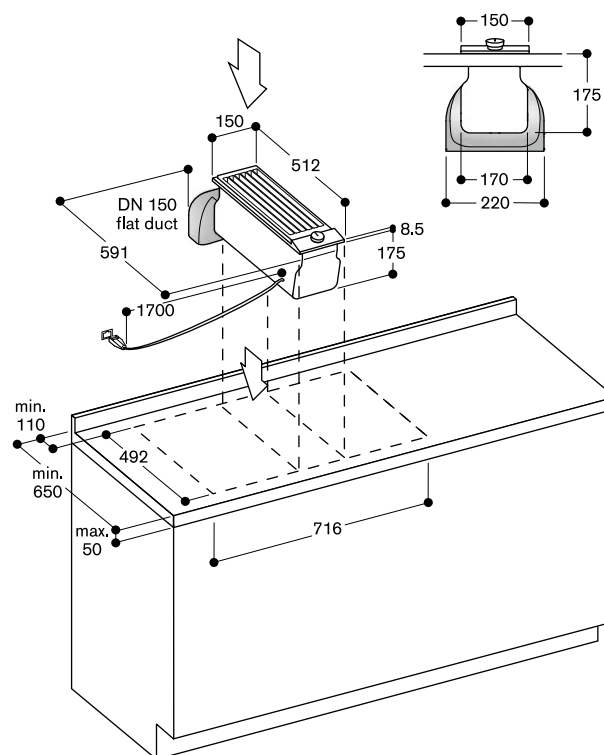
Air recirculation mode in combination with remote fan unit with AR 410 110 or AR 413 122.
Air extraction in combination with remote fan unit AR 400 142, AR 401 142 or AR 403 122.
For each VL one remote fan unit is recommended.
Maximum cooktop width between 2 VL: 80 cm.
Vario cooktops like Vario electric grill and Vario gas wok should be placed between 2 VL.
In case of Vario electric grill recirculation is not recommended.
If installed next to gas appliances, the ventilation moulding LS041 001 is recommended to ensure maximum performance of the cooktop.

When having installed the ventilation moulding LS041 001 the wok pan WP 400 001 can not be used.
Air recirculation is not recommended in combination with Vario electric grill.
When installing a ventilation hood with air extraction mode and a chimney-vented fireplace, the power supply line of the ventilation appliance needs a suitable safety switch.

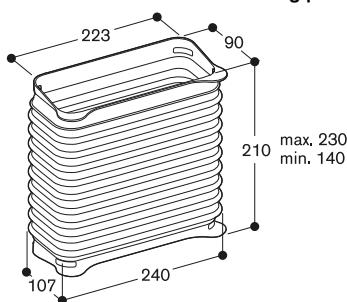
Please read additional planning notes on page 226 – 228.

Connection

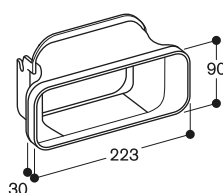
Connecting cable 1.7 m between VL and remote fan unit.



AD 410 040: Flexibel connecting piece for VL, DN 150 flat



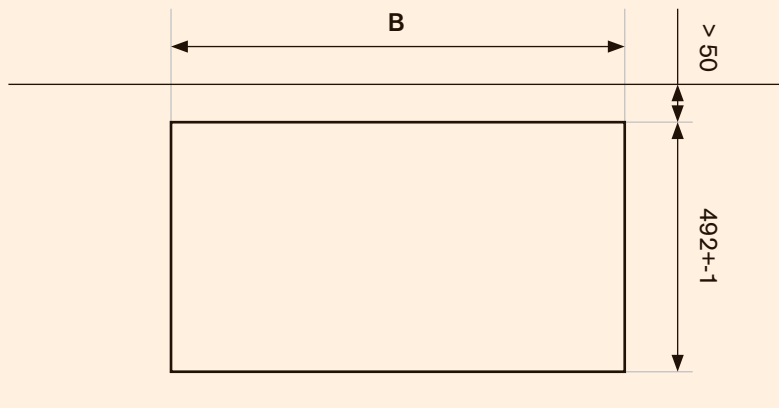
AD 851 041: Connecting piece VL for extension with flat duct DN 150 for extra deep worktop


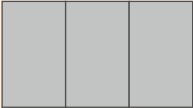





*Energy efficiency class: at a range of energy efficiency classes from A+++ to D.

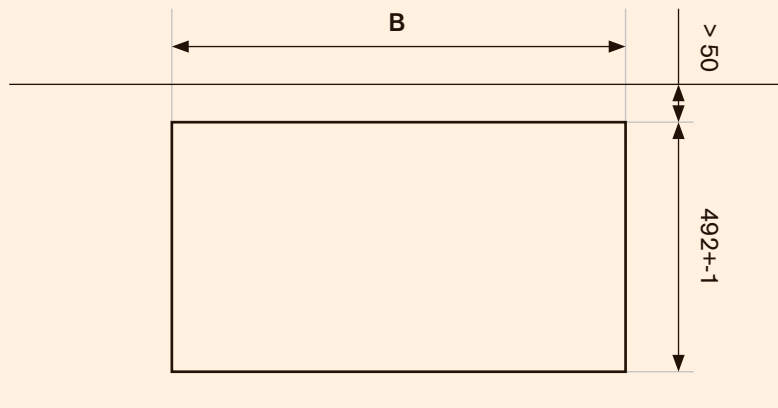
Sample combinations without ventilation VL 200 element.

Cut-out dimensions for appliance combinations in the 200 series. The technician can find the suitable cut-out dimensions for the combinations most frequently used by referring to the previous pages and the drawings below.



Cooktops	Appliances size [mm]	Dimension B [mm]	# of VV200010 / VV200030
	288	561 +-1	1
	288	854 +-1	2
	288	1147 +-1	3
	380 / 288	653 +-1	1
	580	853 +-1	1

Cut-out dimensions for appliance combinations in the 200 series. The technician can find the suitable cut-out dimensions for the combinations most frequently used by referring to the previous pages and the drawings below.



Cooktops	Appliances size [mm]	Dimension B [mm]	# of VV200010 / VV200030
	288 / 150	716 +-1	2
	380 / 150 / 380	900 +-1	3
	288 / 150 / 150	871 +-1	3
	288 / 150 / 150	1164 +-1	4
	288 / 150 / 150	1457 +-1	5
	380 / 150 / 288	808 +-1	3
	150 / 580 / 150	870 +-1	2
	288 / 150 / 580 / 150	1163 +-1	3

Accessories and special accessories for Vario cooktops 400 series

LV 030 000

Lava stone for refilling



VA 440 010

Stainless steel appliance cover with mounting strip



WP 400 001

Wok pan made of multiple-layer material
With round bottom and handle,
ø36 cm, 6 litres, height 10 cm.



WZ 400 000

Wok attachment for wok pan



AA 414 010

Ventilation moulding for VL 414 next to gas appliance



VA 420 004

Connection strip for combination with other Vario appliances of the 400 series for flush mounting



VA 420 010

Connection strip for combination with other Vario appliances of the 400 series for surface mounting



LV 030 000
Lava stone for refilling



VD 200 020
Black appliance cover



LS 041 001
Ventilation moulding for VL 200 next to
gas appliance
Stainless steel



VV 200 010
Stainless steel connection strip for
combination with other Vario
appliances of the 200 series.



VV 200 020
Black connection strip for combination
with other Vario appliances of the
200 series.














The cooktops

Gas cooktops	130
Induction cooktops	136
Flex induction cooktop with integrated ventilation system 400 series	144
Flex induction cooktop with integrated ventilation system 200 series	146
Planning notes for induction cooktops	172
Glass ceramic cooktops	173
Accessories special accessories	176

Recommended Cooktop Ventilation Combinations

 : aesthetically and technically recommended combination  : not recommended  : cooktop based ventilation control possible.											
Product type	Picture	VIB		AC 400 width depends on configuration	AC 250 121 width 120 cm	AC 270 101 width 100 cm	AW 442 width 90 cm	AW 442 width 120 cm	AW 442 width 160 cm	AW 240 191 width 90 cm	AW 250 192 width 90 cm
	Maximum width for Vario cooktops combinations				90 cm	90 cm	80 cm	100 cm	140 cm	80 cm	80 cm
Vario electric grill 400 series		VR 414	40 cm			-				-	-
Vario Teppan Yaki 400 serie Vario gas cooktop 400 series		VP 414 / VG4..	40 cm							-	-
Vario induction cooktop 400 series		VI4..	40 cm							-	-
Vario induction cooktop 400 series		VI 462	60 cm							-	-
Vario induction cooktop 400 series		VI 482	80 cm							-	-
Vario induction cooktop 400 series		VI 492	90 cm				-			-	-
Vario gas cooktop 400 series Gas cooktop 400 series		VG 491 / CG 492	90 cm				-			-	-
Vario electric grill 200 series		VR 230	30 cm			-				-	-
Vario Teppan Yaki 200 series Vario flex induction cooktop 200 series Vario gas cooktop 200 series		VP2.. / VI2.. / VR2.. / VG2..	30 cm							-	-
Vario flex induction cooktop 200 series		VI 242	40 cm							-	-
Vario flex induction cooktop 200 series Vario gas cooktop 200 series		VI 262 / VG 264	60 cm							-	-
Full surface induction cooktop 400 series with frame		CX 482 111	80 cm								
Full surface induction cooktop 400 series frameless		CX 482 101	80 cm								
Full surface induction cooktop 400 series		CX 492	90 cm				-			-	-
Flex induction cooktop 200 series		CI 261	60 cm								
Flex induction cooktop 200 series		CI 262	60 cm								
Flex induction cooktop 200 series		CI 272	70 cm								
Flex induction cooktop 200 series		CI 282 / CI 283	80 cm								
Flex induction cooktop 200 series		CI 292	90 cm				-			-	-
Gas cooktop 200 series		CG 261	60 cm							-	-
Gas cooktop 200 series		CG 291	90 cm				-			-	-
Gas cooktop 200 series		VG 295	90 cm				-			-	-
Glass ceramic cooktop 200 series		CE 261	60 cm								
Glass ceramic cooktop 200 series		CE 291	90 cm				-			-	-

																
AI 442 width 120 cm	AI 442 width 160 cm	AI 240 191 width 90 cm	AL 400 121 width 120 cm	AL 400 191 width 90 cm	AL 200 180 width 80 cm	AL 200 190 width 90 cm	VL 414 112 width 15,5 cm	VL 200 120 width 15 cm	AF 210 192 width 90 cm	AF 210 162 width 60 cm	AC 200 191 width 86 cm	AC 200 181 width 70 cm	AC 200 161 width 52 cm			
100 cm	130 cm	80 cm	120 cm	90 cm					90 cm	60 cm	90 cm	70 cm	60 cm			
✓	✓	-	✓	✓	-	-	✓	-	✓	✓	✓	✓	✓			
✓	✓	-	✓	✓	-	-	✓	-	✓	✓	✓	✓	✓			
✓	✓	-	✓	✓	-	-	✓	-	✓	✓	✓	✓	✓			
✓	✓	-	-	-	-	-	✓	-	✓	✓	✓	✓	✓			
✓	✓	-	✓	-	✓	✓	✓	-	✓	-	✓	-	-			
✓	✓	-	-	✓	-	✓	-	-	✓	-	✓	-	-			
✓	✓	-	-	-	-	-	-	-	✓	✓	✓	✓	✓			
✓	✓	-	-	-	-	-	-	-	✓	✓	✓	✓	✓			
✓	✓	-	-	-	-	-	-	-	✓	✓	✓	✓	✓			
✓	✓	-	-	-	-	-	-	-	✓	✓	✓	✓	✓			
✓	✓	-	-	-	-	-	-	-	✓	✓	✓	✓	✓			
✓	✓	-	✓	-	✓	✓	✓	-	✓	-	✓	-	-			
✓	✓	-	-	-	✓	✓	✓	-	✓	-	✓	-	-			
✓	✓	-	-	✓	-	✓	✓	-	✓	-	✓	-	-			
✓	✓	✓	-	-	-	-	-	-	✓	✓	✓	✓	✓			
✓	✓	✓	-	-	-	-	-	-	✓	✓	✓	✓	✓			
✓	✓	✓	-	-	-	-	-	-	✓	-	✓	✓	-			
✓	✓	-	-	-	✓	✓	✓	-	✓	-	✓	-	-			
✓	✓	-	-	✓	-	✓	✓	-	✓	-	✓	-	-			
✓	✓	-	-	-	-	-	-	-	✓	✓	✓	✓	✓			
✓	✓	-	-	-	-	-	-	-	✓	-	✓	-	-			
✓	✓	-	-	-	-	-	-	-	✓	✓	✓	✓	✓			
✓	✓	-	-	-	-	-	-	-	✓	-	✓	-	-			
✓	✓	-	-	-	-	-	-	-	✓	✓	✓	✓	✓			
✓	✓	-	✓	✓	-	-	-	-	✓	✓	✓	✓	✓			
✓	✓	-	✓	✓	-	-	-	-	✓	-	✓	-	-			



CG 492 111F

Stainless steel
Width 100.2 cm
Liquid gas 28 – 37 mbar
Wok burner with up to 5.8 kW

CG 492 211

Stainless steel
Width 100.2 cm
Natural gas 20 mbar
Wok burner with up to 6 kW

Included in the price

1 wok attachment ring

Necessary installation accessories

CA 429 410 (included)

Frame set including decorative frame (to be welded in) and holding frame

Special accessories

WP 400 001

Wok pan made of multiple-layer material
With round bottom and handle, ø36 cm, 6 litres, height 10 cm.

Gas cooktop 400 series

CG 492

- Five multi-ring burners, up to 18 kW
- Full electronic power level regulation on 12 levels
- Precise and reproducible flame size
- Automatic fast ignition, electronic flame monitoring with automatic re-ignition
- Simmer function for cooking on a very low output level
- Solid smooth-surface cast iron pan supports on the same level as the worktop
- Solid stainless steel control knob

Cooking zones

CG 492 111F

1 multi-ring wok burner (300 W – 5800 W), suitable for pots up to max. ø 32 cm.
2 two-ring high output burners (165 W – 4000 W), suitable for pots up to max. ø 28 cm.
2 two-ring standard burners (165 W – 2000 W), suitable for pots up to max. ø 24 cm.

CG 492 211

1 multi-ring wok burner (300 W – 6000 W), suitable for pots up to max. ø 32 cm.
2 two-ring high output burners (165 W – 4000 W), suitable for pots up to max. ø 28 cm.
2 two-ring standard burners (165 W – 2000 W), suitable for pots up to max. ø 24 cm.

Handling

Control knobs with illuminated ring, cooking zone and output level markings.
One-handed operation.
Full electronic control in 12 output levels for exact power level regulation plus simmer function.
Automatic fast ignition.

Features

Simmer function.
Three-part cast iron pan support with flat, continuous pot surface, on the same level as the worktop.
Brass burner rings.

Safety

Electronic flame monitoring with automatic re-ignition.
Residual heat indication.
Safety shut-off.

Planning notes

The frame set (necessary installation accessory) can be sent in advance to the manufacturer of the stainless steel or granite worktop for fitting.
Special nozzles can be ordered as spare parts.

Plan for an electrical connection (the appliance is not operable without power supply).

The horizontal positioning of the knobs may be aligned with the specific burners. The drawing "Installation of the control knob" must be observed if the panel is more than 23 mm thick (there must be a recess at the rear).
Minimum worktop depth 70 cm.
Air intake from above.
No intermediate shelf required.

Due to the separate frame welded into the worktop, all parts remain fully accessible.

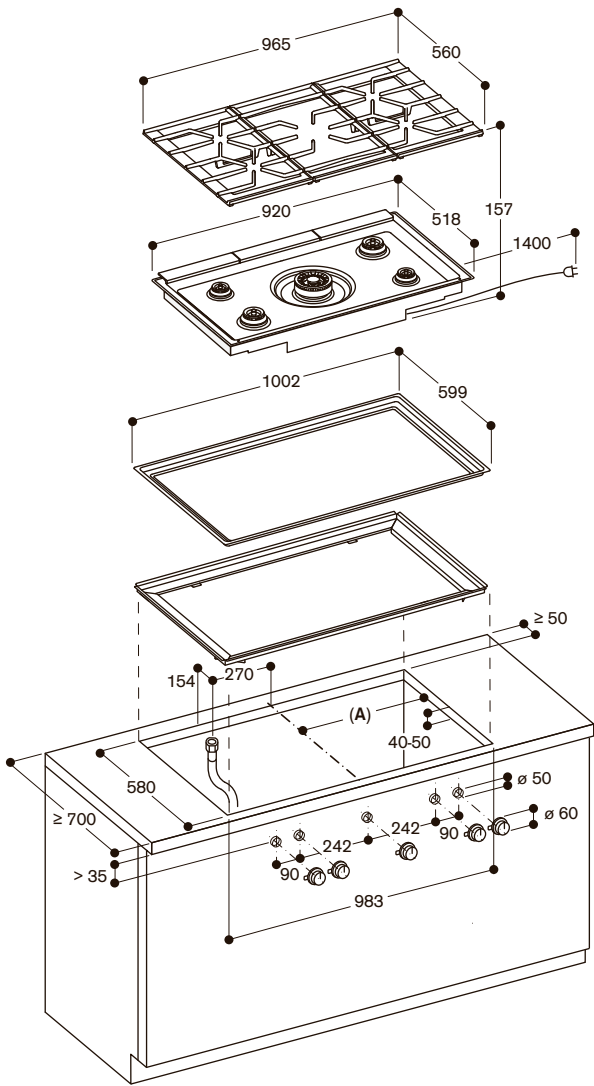
Rear panel and wall trims must be heat-resistant and consist of a non-flammable material.

The appliance can be fixed from above. A minimum lateral clearance of at least 300 mm from adjacent heat-sensitive furniture or contact surfaces must be observed or thermal insulation fitted. With a total connected load of more than 11 kW local regulations concerning room ventilation, room size and combination of extraction or recirculation hoods must be observed. The minimum distance between the cooktop surface and a cabinet above, out of combustible material, needs to be 76 cm.

The minimum distance to a ventilation above is shown at the planning hints for the individual ventilation product. The combination with VL 414 is not recommended, since the air extraction from the centre burner cannot be guaranteed due to the distance. Appliance weight: approx. 35 kg.

Connection

Total connected load gas
17.8/18.0 kW.
Total connected load electric
15.0/15.0 W.
Connecting cable 1.4 m with plug.

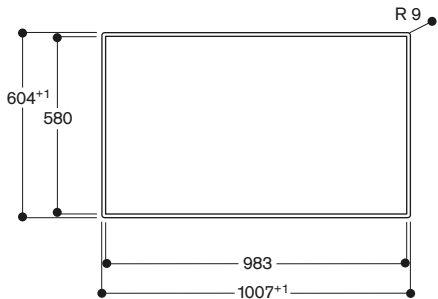


A: 491.5

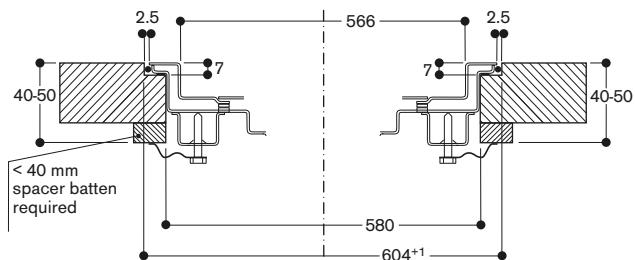
For further installation options, see the installation instructions

Measurements in mm

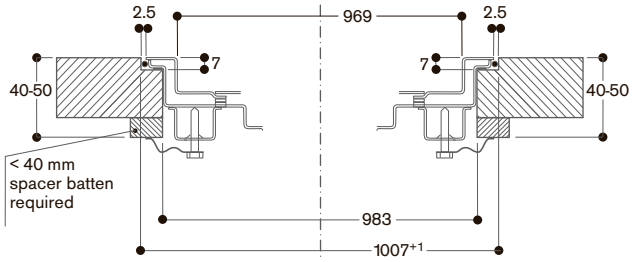
View from above



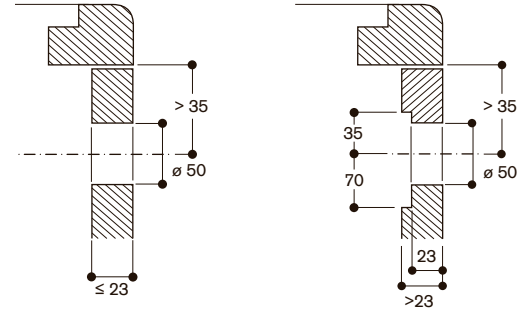
Cross-section



Longitudinal section



Installation of the control knob; flush installation



measurements in mm



VG 295 150F

Width 90 cm

Liquid gas 28 – 37 mbar

Wok burner with up to 5.8 kW

VG 295 250

Width 90 cm

Natural gas 20 mbar

Wok burner with up to 6 kW

Included in the price

1 wok attachment ring

Special accessories

WP 400 001

Wok pan made of multiple-layer material

With round bottom and handle, ø 36 cm, 6 litres, height 10 cm.

Gas cooktop 200 series

VG 295

- Control panel for comfortable and secure operation
- Mechanical power level regulation for 9 power levels, with exact setting and reproduction of flame size
- Multi-ring burner of solid, heat-resistant brass as used in professional kitchen
- Solid smooth-surface cast iron pan supports
- Up to 17.8 kW on 5 burners

Cooking zones

VG 295 150F

- 1 multi-ring wok burner (300 W – 5800 W), suitable for pots up to max. ø 32 cm.
- 2 two-ring high output burners (170 W – 4000 W), suitable for pots up to max. ø 28 cm.
- 2 two-ring standard burners (170 W – 2000 W), suitable for pots up to max. ø 24 cm.

VG 295 250

- 1 multi-ring wok burner (300 W – 6000 W), suitable for pots up to max. ø 32 cm.
- 2 two-ring high output burners (170 W – 4000 W), suitable for pots up to max. ø 28 cm.
- 2 two-ring standard burners (170 W – 2000 W), suitable for pots up to max. ø 24 cm.

Handling

Control knobs with illuminated ring.
Integrated control panel.
One-handed operation.
Electric ignition.

Features

Three-part cast iron pan support with flat, continuous pot surface.
Brass burner rings.

Safety

Thermoelectric safety pilot.
Residual heat indication.
Operation indicator.

Planning notes

No intermediate shelf required.
Appliance can be snapped into the worktop from above.
Rear panel and wall trims must be heat-resistant and consist of a non-flammable material.
Installation in a 90 cm wide lower cabinet is required.
A minimum lateral clearance of at least 300 mm from adjacent heat-sensitive furniture or contact surfaces must be observed or thermal insulation fitted.
With a total connected load of more than 11 kW local regulations concerning room ventilation, room size and combination of extraction or recirculation hoods must be observed.

The minimum distance between the cooktop surface and a cabinet above, out of combustible material, needs to be 76 cm.

The minimum distance to a ventilation above is shown at the planning hints for the individual ventilation product.

Appliance weight: approx. 29 kg.

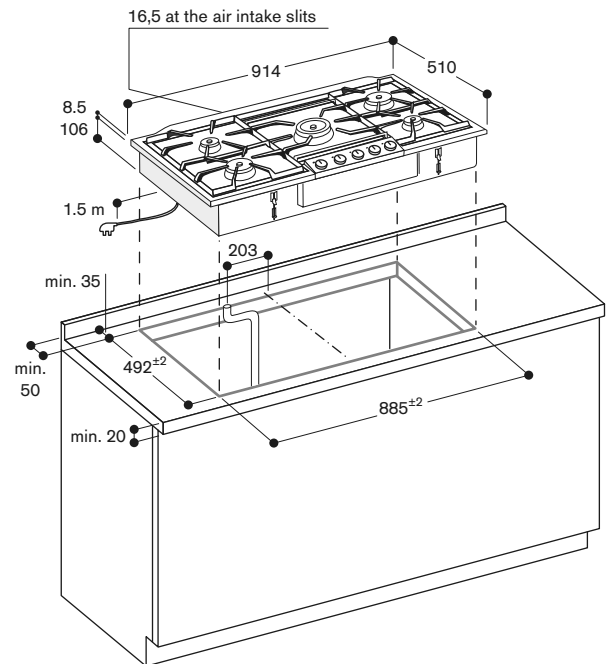
Connection

Total connected load gas

17.8/18.0 kW.

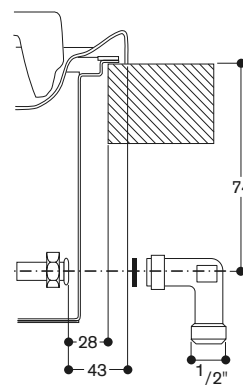
Total connected load electric 10 W.

Connecting cable 1.5 m with plug.



Minimum distance from the appliance cut-out to the side wall 300 mm.

Gas connection



**CG 291 210**

Stainless steel
Width 90 cm
Natural gas 20 mbar
Nozzles for liquid gas 28-30/37 mbar included

Included in the price

1 cross support for espresso
1 wok attachment ring

Special accessories**WP 400 001**

Wok pan made of multiple-layer material
With round bottom and handle, ø36 cm, 6 litres, height 10 cm.

Gas cooktop 200 series**CG 291**

- Mechanical power level regulation for 9 power levels, with exact setting and reproduction of flame size
- Multi-ring burner with up to 5 kW

Cooking zones

1 multi-ring wok burner (300 W – 5000 W).
1 high output burner (500 W - 3000 W), suitable for pots up to max. ø 26 cm.
2 standard burners (350 W – 1750 W), suitable for pots up to max. ø 20 cm.
1 economy burner (330 W – 1000 W), suitable for pots up to max. ø 14 cm.

Handling

Control knobs with cooking zone and output level markings for 9 levels.
One-handed operation.
Electric ignition.

Features

Three-part cast iron pan support with continuous pot surface.
Enamelled burner cover.

Safety

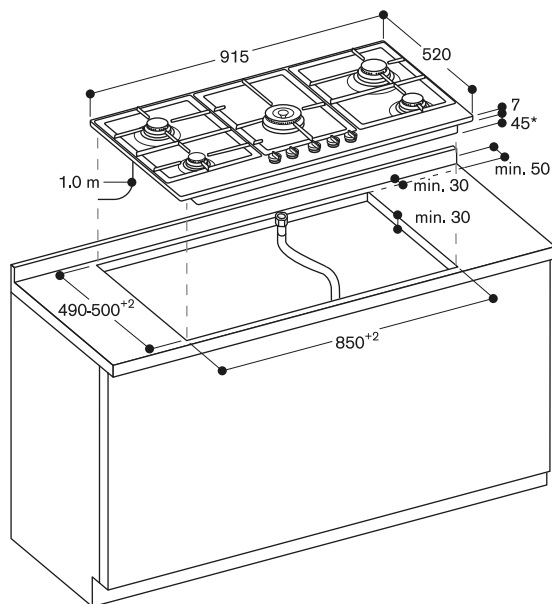
Thermoelectric safety pilot.

Planning notes

The cooktop can only be surface-mounted.
Special nozzles can be ordered as spare parts.
Installation in a 85 cm niche or a 88 cm niche with the included spacers.
Air intake from above.
Intermediate shelf is required.
Appliance must be fixed from underneath.
A minimum clearance of at least 150 mm from adjacent heat-sensitive furniture or contact surfaces must be observed or thermal insulation fitted.
With a total connected load of more than 11 kW local regulations concerning room ventilation, room size and combination of extraction or recirculation hoods must be observed.
Minimum clearance between gas cooktop(s) with more than 11 kW and ventilation hood 70 cm.
Appliance weight: approx. 17 kg.

Connection

Total connected load gas 12.5 kW.
Connecting cable 1.0 m without plug.



* 61 mm in the area of the gas connection at the back right



CG 261 210

Stainless steel
 Width 60 cm
 Natural gas 20 mbar
 Nozzles for liquid gas 28-30/37 mbar included

Included in the price

1 cross support for espresso
 1 wok attachment ring

Special accessories

WP 400 001
 Wok pan made of multiple-layer material
 With round bottom and handle, ø36 cm, 6 litres, height 10 cm.

Gas cooktop 200 series

CG 261

- Mechanical power level regulation for 9 power levels, with exact setting and reproduction of flame size
- Up to 9.75 kW with burners in a diamond-shaped arrangement

Cooking zones

1 multi-ring wok burner (1550 W – 4000 W).
 1 high output burner (500 W - 3000 W), suitable for pots up to max. ø26 cm.
 1 standard burner (290 W – 1750 W), suitable for pots up to max. ø20 cm.
 1 economy burner (330 W – 1000 W), suitable for pots up to max. ø16 cm.

Handling

Control knobs with cooking zone and output level markings for 9 levels.
 One-handed operation.
 Electric ignition.

Features

Two-part cast iron pan support with continuous pot surface.
 Enamelled burner cover.

Safety

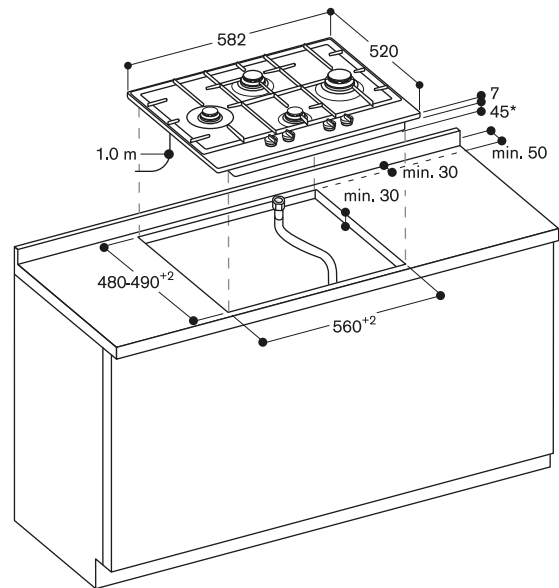
Thermoelectric safety pilot.

Planning notes

The cooktop can only be surface-mounted.
 Special nozzles can be ordered as spare parts.
 Installation in a 56 cm standard niche.
 Air intake from above.
 Intermediate shelf is recommended.
 Allow for a gas connection when planning drawer depth.
 Appliance must be fixed from underneath.
 A minimum clearance of at least 100 mm from adjacent heat-sensitive furniture or contact surfaces must be observed or thermal insulation fitted.
 Appliance weight: approx. 12 kg.

Connection

Total connected load gas 9.75 kW.
 Connecting cable 1.0 m without plug.



* 56 mm in the area of the gas connection at the back right



CX 492 101

Black glass ceramic
Frameless
Width 90 cm

Included in the price

1 cooking sensor for temperature regulation

Special accessories

CA 051 300

Teppan Yaki plate made of multi ply material
For flex induction cooktop.

CA 060 300

Cooking sensor for temperature regulation within pots

GN 232 110

Teppan Yaki plate made of multi ply material,
GN 1/1
For full surface induction cooktops.

Full surface induction cooktop 400 series

CX 492

- One single big cooking surface
- Free positioning of cookware
- All sizes and formats of cookware can be used
- TFT touch display for an intuitive control of all functions
- Cooking sensor function for temperature control in pots
- Professional cooking functions
- Max. power output for big cookware of up to 5.5 kW
- Frameless for flush mounting

Cooking zones

One unique cooking surface of 3200 cm².
Up to 6 items of cookware can be placed simultaneously on the cooktop.

Handling

Easy to use colour graphic TFT touch display with use indications.
Electronic power control in 17 output levels.

Features

Cooking sensor function.
Professional cooking function.
Dynamic cooking function.
Teppan Yaki function.
Booster function for pots.
Booster function for pans.
Keep warm function.
Individual pot detection.
Cooking timer for each cooking position.
Stopwatch.
Short-term timer.
Information key with use indicators.
Power management.
Cooktop-based ventilation control (with suitable hood).

Home network integration for digital services (Home Connect) wireless via WiFi.

The use of the Home Connect functionality depends on the Home Connect services, which are not available in every country. For further information please check: home-connect.com.

Please read additional information on Home Connect on page 345.

Safety

Main switch.
Residual heat indication.
Child lock.
Safety shut-off.
Pause function.

Planning notes

Operates with magnetic (induction) iron pots and pans only. For an optimal heat distribution, the use of sandwich bottom cookware is recommended. The wok pan WP400001 cannot be used with this appliance.
Installation is possible in worktops made of stone, synthetics or solid wood. Heat resistance and watertight sealing of the cut edges must be observed. Concerning other materials please consult the worktop manufacturer. The bearing capacity and stability, in the case of thin worktops in particular, must be supported using suitable

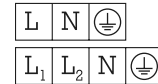
substructures. Take into account the appliance weight and additional loads. The groove must be continuous and even, so that uniform placing of the appliance on the gasket is ensured. Do not use discontinuous lining. Appliance must be fixed from underneath. Joint width may vary due to dimensional tolerances of the glass ceramic cooktop and the worktop cut-out. Appliance weight: approx. 31 kg.

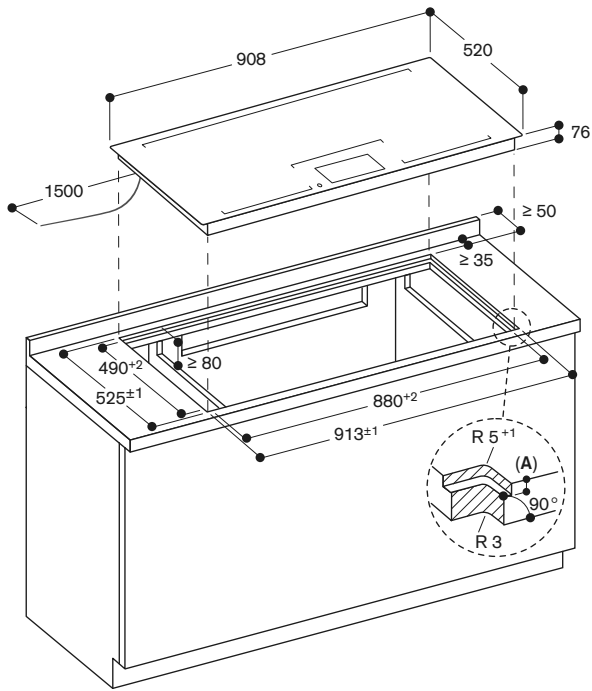
Please read the installation details regarding air ducting on page 172.

Please read additional planning notes on page 108 – 112.

Connection

Total connected load 7.4 kW.
Connecting cable 1.5 m without plug.
Power consumption standby/display off 0.5 W.
Power consumption standby/network 2.0 W.
Please check the user manual for how to switch off the WiFi module.

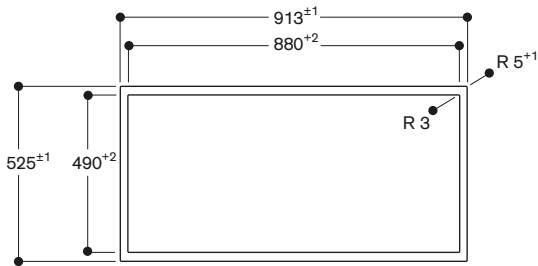




A: $6,5^{+0,5}$

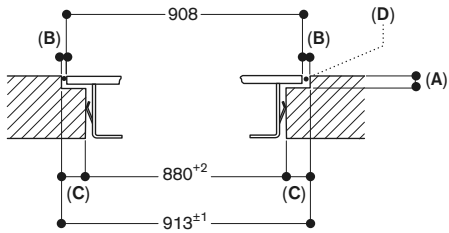
measurements in mm

View from above



measurements in mm

Longitudinal section



A: $6,5^{+0,5}$

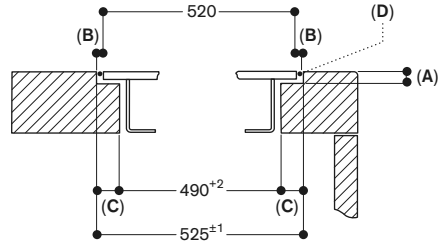
B: 2,5

C: 16,5

D: Fill with silicone

measurements in mm

Cross-section



A: $6,5^{+0,5}$

B: 2,5

C: 17,5

D: Fill with silicone

measurements in mm



CX 492 111

Black glass ceramic
Stainless steel frame
Width 90 cm

Included in the price

1 cooking sensor for temperature regulation

Installation accessories

VA 420 004

Connection strip for combination with other Vario appliances of the 400 series for flush mounting

VA 420 010

Connection strip for combination with other Vario appliances of the 400 series for surface mounting

Special accessories

CA 051 300

Teppan Yaki plate made of multi ply material
For flex induction cooktop.

CA 060 300

Cooking sensor for temperature regulation within pots

GN 232 110

Teppan Yaki plate made of multi ply material,
GN 1/1
For full surface induction cooktops.

Full surface induction cooktop 400 series

CX 492

- One single big cooking surface
- Free positioning of cookware
- All sizes and formats of cookware can be used
- TFT touch display for an intuitive control of all functions
- Cooking sensor function for temperature control in pots
- Professional cooking functions
- Max. power output for big cookware of up to 5.5 kW
- Precision crafted 3 mm stainless steel
- For surface mounting with a visible edge or for flush mounting
- Can be combined perfectly with other Vario appliances of the 400 series

Cooking zones

One unique cooking surface of 3200 cm².

Up to 6 items of cookware can be placed simultaneously on the cooktop.

Handling

Easy to use colour graphic TFT touch display with use indications.

Electronic power control in 17 output levels.

Features

Cooking sensor function.

Professional cooking function.

Dynamic cooking function.

Teppan Yaki function.

Booster function for pots.

Booster function for pans.

Keep warm function.

Individual pot detection.

Cooking timer for each cooking position.

Stopwatch.

Short-term timer.

Information key with use indicators.

Power management.

Cooktop-based ventilation control (with suitable hood).

Home network integration for digital services (Home Connect) wireless via WiFi.

The use of the Home Connect functionality depends on the Home Connect services, which are not available in every country. For further information please check: home-connect.com.

Please read additional information on Home Connect on page 345.

Safety

Main switch.

Residual heat indication.

Child lock.

Safety shut-off.

Pause function.

Planning notes

Depending on the type of installation (surface-mounted or flush-mounted), the specific definition of the cut-out must be observed.

If combining several Vario appliances of the 400 series, select combinations with or without appliance cover, and a connection strip VA 420 must be placed between the appliances.

Depending on the type of installation, the corresponding connection strip must be provided.

The bearing capacity and stability, in the case of thin worktops in particular, must be supported using suitable substructures. Take into account the appliance weight and additional loads. Additional instructions for flush mounting: Installation is possible in worktops made of stone, synthetics or solid wood. Heat resistance and watertight sealing of the cut edges must be observed. Concerning other materials please consult the worktop manufacturer. The groove must be continuous and even, so that uniform placing of the appliance on the gasket is ensured. Do not use discontinuous lining.

The joint width may vary due to size tolerances of the combinations and of the worktop cut-out.

Please read additional planning notes on page 108 and 110.

If installing several appliances in individual cut-outs allow for a division bar of minimum 50 mm between the individual cut-outs.

Operates with magnetic (induction) iron pots and pans only. For an optimal heat distribution, the use of sandwich bottom cookware is recommended. The wok pan WP 400 001 cannot be used with this appliance.

Appliance can be snapped into the worktop from above.

Appliance weight: approx. 31 kg.

Please read the installation details regarding air ducting on page 172.

Connection

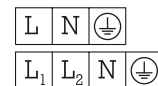
Total connected load 7.4 kW.

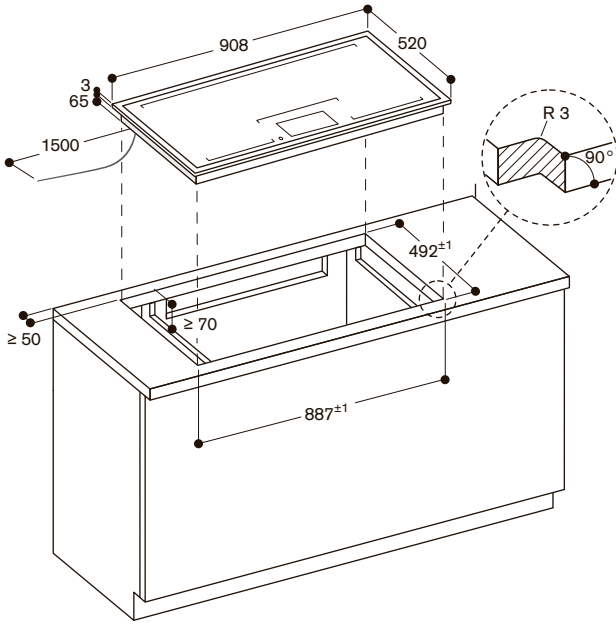
Connecting cable 1.5 m without plug.

Power consumption standby/display off 0.5 W.

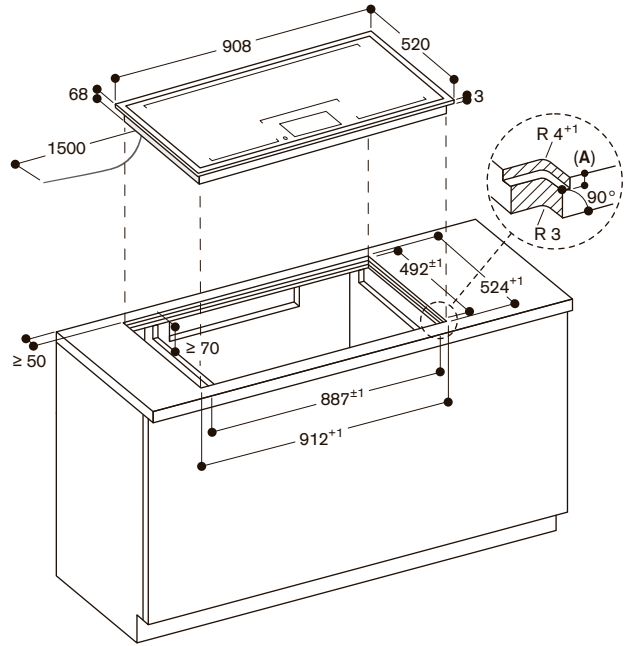
Power consumption standby/network 2.0 W.

Please check the user manual for how to switch off the WiFi module.





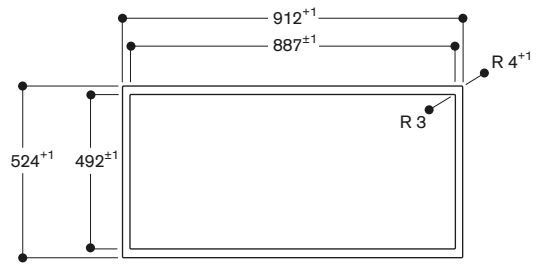
measurements in mm



A: 3.5^{0.5}

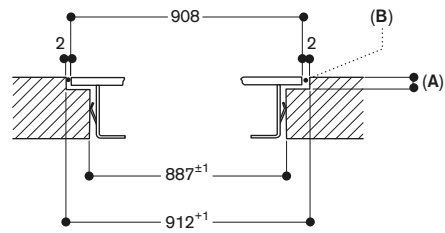
measurements in mm

View from above



measurements in mm

Longitudinal section

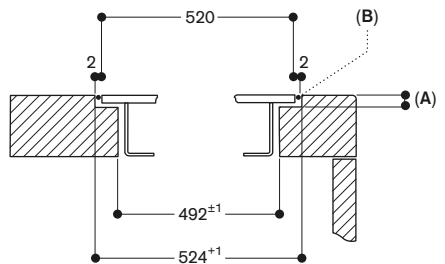


A: 3.5^{0.5}

B: Fill with silicone

measurements in mm

Cross-section



A: 3.5^{0.5}

B: Fill with silicone

measurements in mm



CX 482 101

Black glass ceramic
Frameless
Width 80 cm

Included in the price

1 cooking sensor for temperature regulation

Special accessories

CA 051 300

Teppan Yaki plate made of multi ply material
For flex induction cooktop.

CA 060 300

Cooking sensor for temperature regulation within pots

GN 232 110

Teppan Yaki plate made of multi ply material,
GN 1/1
For full surface induction cooktops.

Full surface induction cooktop 400 series

CX 482

- One single big cooking surface
- Free positioning of cookware
- All sizes and formats of cookware can be used
- TFT touch display for an intuitive control of all functions
- Cooking sensor function for temperature control in pots
- Professional cooking functions
- Max. power output for big cookware of up to 5.5 kW
- Frameless for flush mounting

Cooking zones

One unique cooking surface of 2750cm².
Up to 5 items of cookware can be placed simultaneously on the cooktop.

Handling

Easy to use colour graphic TFT touch display with use indications.
Electronic power control in 17 output levels.

Features

Cooking sensor function.
Professional cooking function.
Dynamic cooking function.
Teppan Yaki function.
Booster function for pots.
Booster function for pans.
Keep warm function.
Individual pot detection.
Cooking timer for each cooking position.
Stopwatch.
Short-term timer.
Information key with use indicators.
Power management.
Cooktop-based ventilation control (with suitable hood).

Home network integration for digital services (Home Connect) wireless via WiFi.

The use of the Home Connect functionality depends on the Home Connect services, which are not available in every country. For further information please check: home-connect.com.

Please read additional information on Home Connect on page 345.

Safety

Main switch.
Residual heat indication.
Child lock.
Safety shut-off.
Pause function.

Planning notes

Operates with magnetic (induction) iron pots and pans only. For an optimal heat distribution, the use of sandwich bottom cookware is recommended. The wok pan WP400001 cannot be used with this appliance. Installation is possible in worktops made of stone, synthetics or solid wood. Heat resistance and watertight sealing of the cut edges must be observed. Concerning other materials please consult the worktop manufacturer. The bearing capacity and stability, in the case of thin worktops in particular, must be supported using suitable

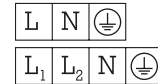
substructures. Take into account the appliance weight and additional loads. The groove must be continuous and even, so that uniform placing of the appliance on the gasket is ensured. Do not use discontinuous lining. Appliance must be fixed from underneath. Joint width may vary due to dimensional tolerances of the glass ceramic cooktop and the worktop cut-out. Appliance weight: approx. 26 kg.

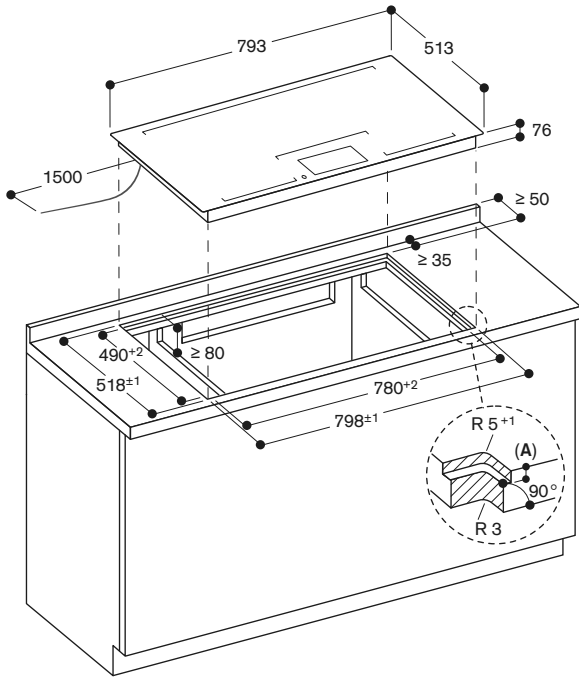
Please read the installation details regarding air ducting on page 172.

Please read additional planning notes on page 108 – 112.

Connection

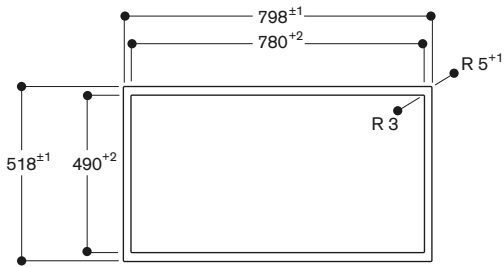
Total connected load 7.4 kW.
Connecting cable 1.5 m without plug.
Power consumption standby/
display off 0.5 W.
Power consumption standby/
network 2.0 W.
Please check the user manual for how to switch off the WiFi module.





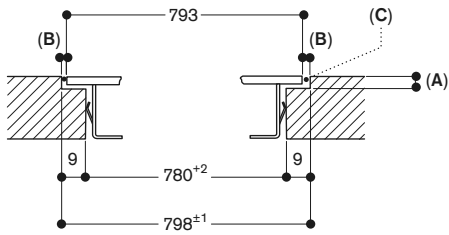
A: $6.5^{+0.5}$
 measurements in mm

View from above



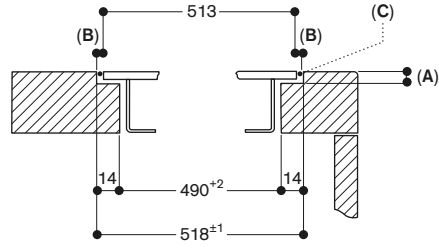
measurements in mm

Longitudinal section



A: $6.5^{+0.5}$
 B: 2.5
 C: Fill with silicone
 measurements in mm

Cross-section



A: $6.5^{+0.5}$
 B: 2.5
 C: Fill with silicone
 measurements in mm



CX 482 111

Black glass ceramic
Stainless steel frame
Width 80 cm

Included in the price

1 cooking sensor for temperature regulation

Installation accessories

VA 420 004

Connection strip for combination with other Vario appliances of the 400 series for flush mounting

VA 420 010

Connection strip for combination with other Vario appliances of the 400 series for surface mounting

Special accessories

CA 051 300

Teppan Yaki plate made of multi ply material
For flex induction cooktop.

CA 060 300

Cooking sensor for temperature regulation within pots

GN 232 110

Teppan Yaki plate made of multi ply material,
GN 1/1
For full surface induction cooktops.

Full surface induction cooktop 400 series

CX 482

- One single big cooking surface
- Free positioning of cookware
- All sizes and formats of cookware can be used
- TFT touch display for an intuitive control of all functions
- Cooking sensor function for temperature control in pots
- Professional cooking functions
- Max. power output for big cookware of up to 5.5 kW
- Precision crafted 3 mm stainless steel
- For surface mounting with a visible edge or for flush mounting
- Can be combined perfectly with other Vario appliances of the 400 series

Cooking zones

One unique cooking surface of 2750 cm².

Up to 5 items of cookware can be placed simultaneously on the cooktop.

Handling

Easy to use colour graphic TFT touch display with use indications.

Electronic power control in 17 output levels.

Features

Cooking sensor function.

Professional cooking function.

Dynamic cooking function.

Teppan Yaki function.

Booster function for pots.

Booster function for pans.

Keep warm function.

Individual pot detection.

Cooking timer for each cooking position.

Stopwatch.

Short-term timer.

Information key with use indicators.

Power management.

Cooktop-based ventilation control (with suitable hood).

Home network integration for digital services (Home Connect) wireless via WiFi.

The use of the Home Connect functionality depends on the Home Connect services, which are not available in every country. For further information please check: home-connect.com.

Please read additional information on Home Connect on page 345.

Safety

Main switch.

Residual heat indication.

Child lock.

Safety shut-off.

Pause function.

Planning notes

Depending on the type of installation (surface-mounted or flush-mounted), the specific definition of the cut-out must be observed.

If combining several Vario appliances of the 400 series, select combinations with or without appliance cover, and a connection strip VA 420 must be placed between the appliances.

Depending on the type of installation, the corresponding connection strip must be provided.

The bearing capacity and stability, in the case of thin worktops in particular, must be supported using suitable substructures. Take into account the appliance weight and additional loads. Additional instructions for flush mounting: Installation is possible in worktops made of stone, synthetics or solid wood. Heat resistance and watertight sealing of the cut edges must be observed. Concerning other materials please consult the worktop manufacturer.

The groove must be continuous and even, so that uniform placing of the appliance on the gasket is ensured. Do not use discontinuous lining. The joint width may vary due to size tolerances of the combinations and of the worktop cut-out.

Please read additional planning notes on page 108 and 110.

If installing several appliances in individual cut-outs allow for a division bar of minimum 50 mm between the individual cut-outs.

Operates with magnetic (induction) iron pots and pans only. For an optimal heat distribution, the use of sandwich bottom cookware is recommended. The wok pan WP 400 001 cannot be used with this appliance.

Appliance can be snapped into the worktop from above.

Appliance weight: approx. 27 kg.

Please read the installation details regarding air ducting on page 172.

Connection

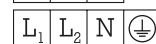
Total connected load 7.4 kW.

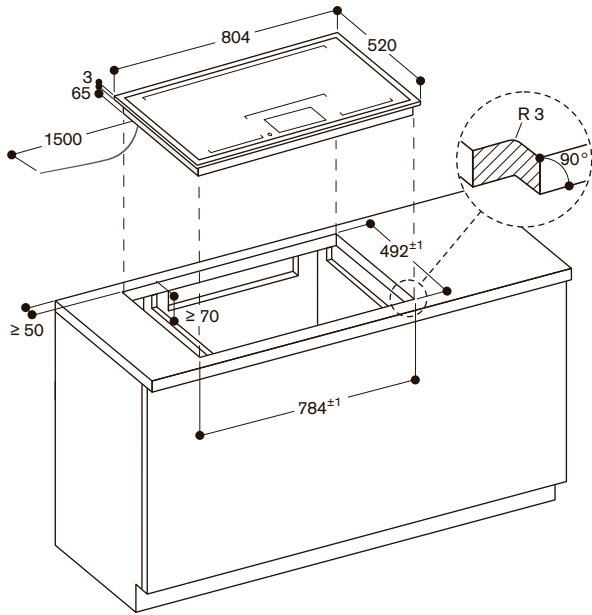
Connecting cable 1.5 m without plug.

Power consumption standby/display off 0.5 W.

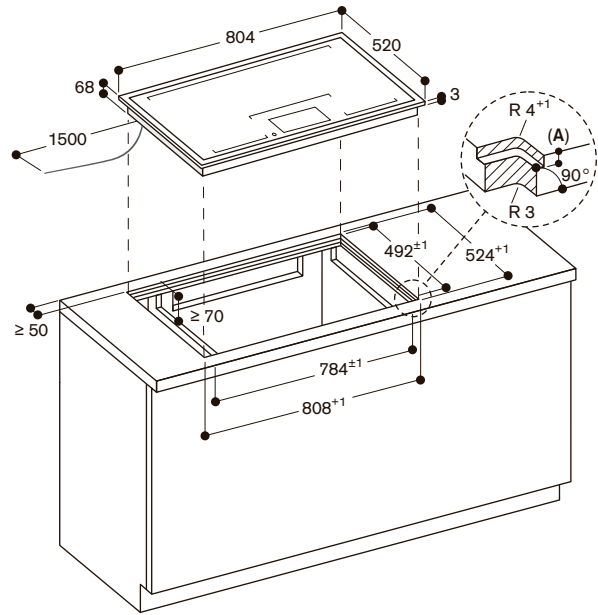
Power consumption standby/network 2.0 W.

Please check the user manual for how to switch off the WiFi module.





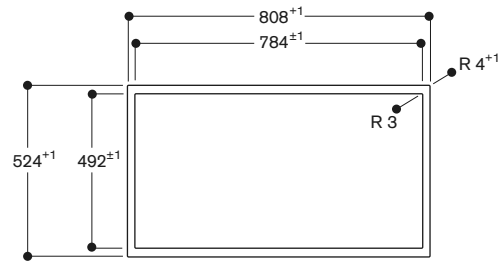
measurements in mm



A: 3.5^{0.5}

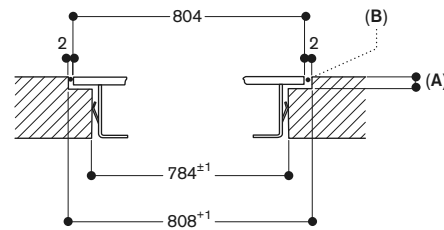
measurements in mm

View from above



measurements in mm

Longitudinal section

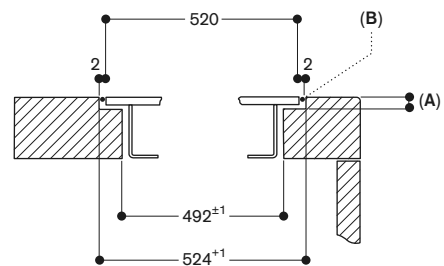


A: 3.5^{0.5}

B: Fill with silicone

measurements in mm

Cross-section



A: 3.5^{0.5}

B: Fill with silicone

measurements in mm



CV 492 100

Frameless for flush mounting
Width 90 cm
Air extraction / Air recirculation
Delivery without ducting



Necessary installation accessories

CA 082 011

Kit unducted air recirculation

CA 082 061

Kit ducted air recirculation,
60 cm worktop depth

CA 082 071

Kit ducted air recirculation,
70 cm worktop depth

CA 084 010

4 acoustic filters for air extraction mode

Special accessories

CA 051 300

Teppan Yaki plate made of multi ply material
For flex induction cooktop.

CA 052 300

Griddle plate in cast aluminium
Non-stick.
For flex induction cooktop.

CA 282 112

4 activated charcoal filters with highly efficient odour reduction and allergen deactivation.

GP 900 001

Stainless steel frying sensor pan
Non-stick coating, ø 15 cm.

GP 900 002

Stainless steel frying sensor pan
Non-stick coating, ø 19 cm.

GP 900 003

Stainless steel frying sensor pan
Non-stick coating, ø 21 cm.

GP 900 004

Stainless steel frying sensor pan
Non-stick coating, ø 28 cm.

Installation accessories for air ducting you will find at the pages 245 – 251.

Flex induction cooktop with integrated ventilation system 400 series CV 492

- Flex function for combining the rectangular cooking areas
- Free positioning of cookware inside combined cooking areas with automatic extension up to 30 cm width
- Highly efficient ventilation system integrated in the cooktop
- Fully automatic ventilation system functions
- Large-scale metal grease filter, easy to remove, dishwasher-safe
- Energy-saving, low-noise fan
- Air extraction or air recirculation system
- Integrated activated charcoal filter easily removeable from above for air recirculation system
- Solid stainless steel control knob with black coating
- Easy control of all functions with bicoloured display

Cooking zones

2 flex induction cooking areas 23x20 cm (2200 W, with booster 3700 W), linked together 23x40 cm (3300 W, with booster 3700 W), with automatic extension up to 32x30 cm (3300 W, with booster 3700 W).
2 flex induction cooking areas 23x20 cm (2200 W, with booster 3700 W), linked together 23x40 cm (3300 W, with booster 3700 W), with automatic extension up to 32x30 cm (3300 W, with booster 3700 W).

Performance of ventilation system

Performance and noise level, output level 3/Intensive:
Air output according to EN 61591.
Sound power level according to EN 60704-3.
Air extraction:
532 / 636 m³/h.
70 / 74 dB (A) re 1 pW.
Air recirculation:
497 / 627 m³/h.
67 / 72 dB (A) re 1 pW.

Handling

Control knobs with illuminated ring, cooking zone and output level markings.
Electronic power control in 12 output levels.
User friendly control with bicoloured display (white / orange).
Control of ventilation system with 3 electronically controlled power levels and 1 intensive mode.

Features

Flex function for rectangular cooking areas.
Frying sensor function.
Booster function.
Automatic sensor-controlled performance adjustment of the ventilation system.
Automatic activation of the ventilation system when a cooking zone is used.
Interval ventilation, 6 min.
Automatic sensor controlled or manual run on function.
Activated charcoal filter saturation indicator.
Removable, dishwasher-safe grease filter unit.

High-grade black zinc die-casted cover for ventilation system, dishwasher-safe.
Fan technology with highly efficient, brushless DC motor (BLDC).
Airflow-optimised interior for efficient air circulation.
Stopwatch.
Short-term timer.
Memory function.
Options menu.
Power management.

Home network integration for digital services (Home Connect) wireless via WiFi.

The use of the Home Connect functionality depends on the Home Connect services, which are not available in every country. For further information please check: home-connect.com.

Please read additional information on Home Connect on page 345.

Consumption data

Energy efficiency class A at a range of energy efficiency classes from A+++ to D.
Energy consumption 56.9 kWh/year.
Ventilation efficiency class A.
Illumination efficiency class -.
Grease filter efficiency class B.
Sound level min. 61 dB / max. 70 dB normal mode.

Safety

Operation indicator.
Pot detection.
2-stage residual heat indication.
Safety shut-off.
Detachable, dishwasher-safe two-stage overflow protection.
Removable overflow container, 0,9-litre capacity, dishwasher-safe.

Planning notes

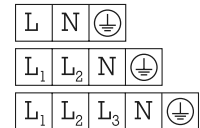
Bottom cabinet width: min. 60 cm.
Worktop depth: min. 60 cm.
The unducted recirculation set CA 082 010 requires a vertical aperture of min. 25 mm behind the backpanel of the furniture. Suggested for ideal performance are 50 mm.
The air outlet on the backside of the appliance can directly be accessed with a flat duct element (DN 150).
In air extraction mode a one-way flap with a maximum opening pressure of 65 Pa should be installed.
For optimum performance in air recirculation we recommend an outflow surface area of at least 440 cm².
Operates with magnetic (induction) iron pots and pans only. For an optimal heat distribution, the use of sandwich bottom cookware is recommended.
The pressuredrop resistant blower allows for ductings up to 8 m with 3x90° bows while keeping sufficient performance.
Appliance must be fixed from underneath.
Appliance weight: approx. 30 kg.
The appliance must be freely accessible from below.
When installing a ventilation hood with air extraction mode and a chimney-vented fireplace, the power supply line of the ventilation appliance needs a suitable safety switch.

Installation is possible in worktops made of stone, synthetics or solid wood. Heat resistance and watertight sealing of the cut edges must be observed. Concerning other materials please consult the worktop manufacturer. The bearing capacity and stability, in the case of thin worktops in particular, must be supported using suitable substructures. Take into account the appliance weight and additional loads. The groove must be continuous and even, so that uniform placing of the appliance on the gasket is ensured. Do not use discontinuous lining. Joint width may vary due to dimensional tolerances of the glass ceramic cooktop and the worktop cut-out.

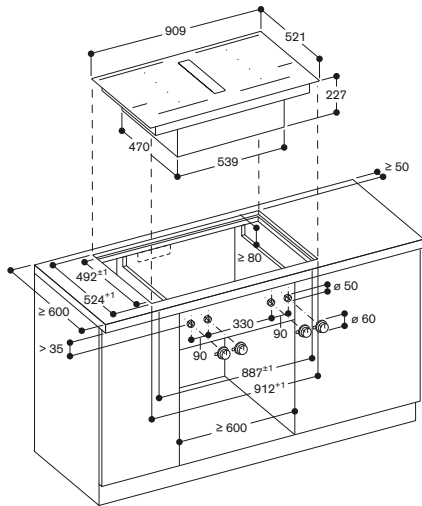
Please read additional planning notes on page 150 – 151.

Connection

Total connected load 7.4 kW.
Connecting cable 1.5 m without plug.
Power consumption standby/display off 0.5 W.
Power consumption standby/network 2.0 W.
Please check the user manual for how to switch off the WiFi module.

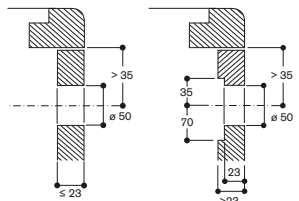


*Energy efficiency class: at a range of energy efficiency classes from A+++ to D.



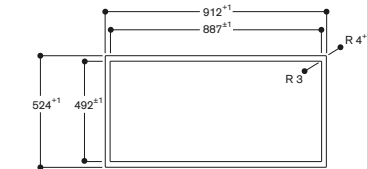
measurements in mm

Installation of the control knob; flush installation



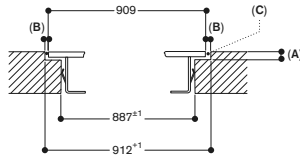
measurements in mm

View from above



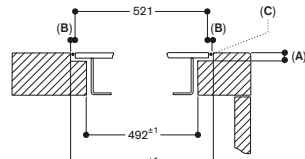
measurements in mm

Longitudinal section



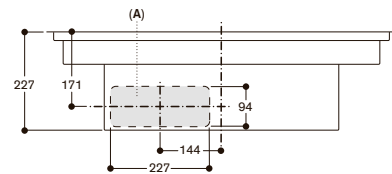
A: 6.5^{+0.5}
B: 1.5
C: Fill with silicone
measurements in mm

Cross-section



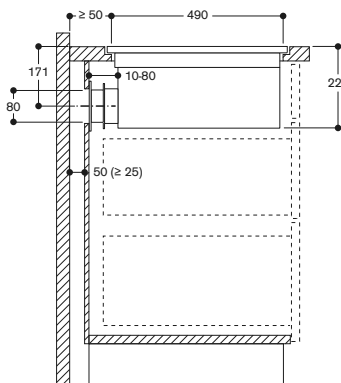
A: 6.5^{+0.5}
B: 1.5
C: Fill with silicone
measurements in mm

Front view



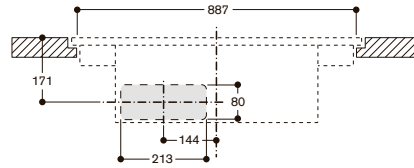
A: Connected directly at the rear
measurements in mm

Side view of CV 282 101 / CV 492 100 with unducted recirculation



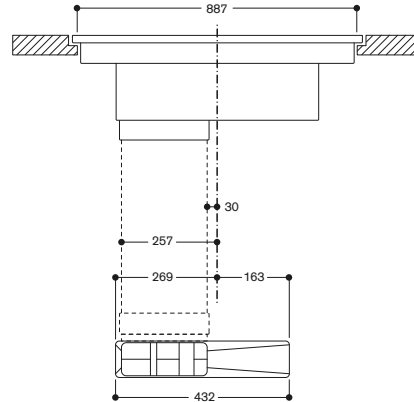
A: Not recommended for non-thermally insulated outer wall or floor ($U \geq 0.5 \text{ W/m}^2\text{°C}$)
measurements in mm

Front view – furniture cut-out for unducted recirculation; flush



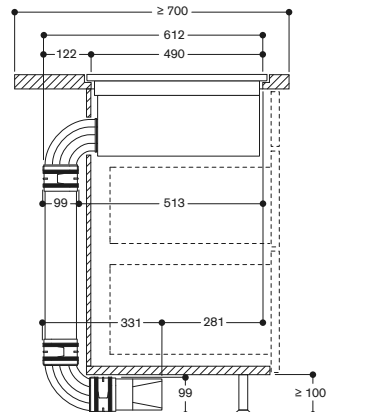
measurements in mm

Front view of CV 492 with ducted recirculation



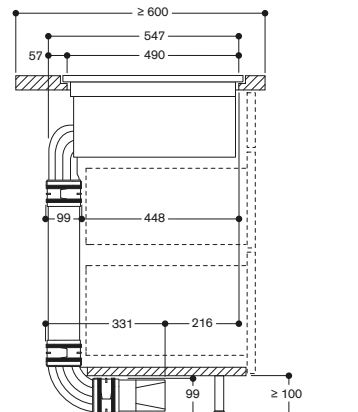
measurements in mm

Side view of CV 282 / CV 492 with kit ducted air recirculation, 700 mm worktop depth



A: Not recommended for non-thermally insulated outer wall or floor ($U \geq 0.5 \text{ W/m}^2\text{°C}$)
Measurements in mm

Side view of CV 282 / CV 492 with kit ducted air recirculation, 600 mm worktop depth



A: Not recommended for non-thermally insulated outer wall or floor ($U \geq 0.5 \text{ W/m}^2\text{°C}$)
Measurements in mm



CV 282 101

Frameless for flush mounting
Width 80 cm
Air extraction / Air recirculation
Delivery without ducting



Necessary installation accessories

CA 082 011

Kit unducted air recirculation

CA 082 061

Kit ducted air recirculation,
60 cm worktop depth

CA 082 071

Kit ducted air recirculation,
70 cm worktop depth

CA 084 010

4 acoustic filters for air extraction mode

Special accessories

CA 051 300

Teppan Yaki plate made of multi ply material
For flex induction cooktop.

CA 052 300

Griddle plate in cast aluminium
Non-stick.

For flex induction cooktop.

CA 282 112

4 activated charcoal filters with highly efficient odour reduction and allergen deactivation.

GP 900 001

Stainless steel frying sensor pan
Non-stick coating, ø 15 cm.

GP 900 002

Stainless steel frying sensor pan
Non-stick coating, ø 19 cm.

GP 900 003

Stainless steel frying sensor pan
Non-stick coating, ø 21 cm.

Installation accessories for air ducting you will find at the pages 245 – 251.

Flex induction cooktop with integrated ventilation system 200 series CV 282

- Flex function for combining the rectangular cooking areas
- Free positioning of cookware inside combined cooking areas
- Highly efficient ventilation system integrated in the cooktop
- Fully automatic ventilation system functions
- Large-scale metal grease filter, easy to remove, dishwasher-safe
- Energy-saving, low-noise fan
- Air extraction or air recirculation system
- Integrated activated charcoal filter easily removeable from above for air recirculation system
- Twist-Pad control with removable, black magnetic knob
- Easy control of all functions with bicoloured display

Cooking zones

2 flex induction cooking areas 24x20cm (2200 W, with booster 3700 W), linked together 24x40 cm (3300 W, with booster 3700 W).

2 flex induction cooking areas 24x20cm (2200 W, with booster 3700 W), linked together 24x40 cm (3300 W, with booster 3700 W).

Performance of ventilation system

Performance and noise level, output level 3/Intensive:

Air output according to EN61591.

Sound power level according to EN60704-3.

Odour reduction for air recirculation in accordance with EN61591.

Air extraction:

532 / 636 m³/h.

70 / 74 dB (A) re 1 pW.

Air recirculation:

497 / 627 m³/h.

67 / 72 dB (A) re 1 pW.

Handling

Twist-Pad control with removable magnetic knob.

User friendly control with bicoloured display (white / orange).

Cooking zone and cooking area marking.

Electronic power control of the cooking zone in 17 output levels.

Control of ventilation system with

3 electronically controlled power levels and 1 intensive mode.

Features

Flex function for rectangular cooking areas.

Automatic pot detection when the cooktop is switched on.

Professional cooking function.

Frying sensor function.

Booster function for pots.

Booster function for pans.

Keep warm function.

Automatic sensor-controlled performance adjustment of the ventilation system.

Automatic activation of the ventilation system when a cooking zone is used. Interval ventilation, 6 min.

Automatic sensor controlled or manual run on function.

Activated charcoal filter saturation indicator.

Removable, dishwasher-safe grease filter unit.

High-grade black zinc die-casted cover for ventilation system, dishwasher-safe.

Fan technology with highly efficient, brushless DC motor (BLDC).

Airflow-optimised interior for efficient air circulation.

Stopwatch.

Cooking timer for up to 99 minutes.

Short-term timer.

Memory function.

Options menu.

Power management.

Home network integration for digital services (Home Connect) wireless via WiFi.

The use of the Home Connect functionality depends on the Home Connect services, which are not available in every country. For further information please check: home-connect.com.

Please read additional information on Home Connect on page 345.

Consumption data

Energy efficiency class A at a range of energy efficiency classes from A+++ to D.

Energy consumption 56.9 kWh/year.

Ventilation efficiency class A.

Illumination efficiency class -.

Grease filter efficiency class B.

Sound level min. 61 dB / max. 70 dB normal mode.

Safety

Main switch.

Operation indicator.

Pot detection.

2-stage residual heat indication.

Child lock.

Safety shut-off.

Detachable, dishwasher-safe two-stage overflow protection.

Removable overflow container, 0,9-litre capacity, dishwasher-safe.

Planning notes

Bottom cabinet width: min. 60 cm.

Worktop depth: min. 60 cm.

The unducted recirculation set CA082010 requires a vertical aperture of min. 25 mm behind the backpanel of the furniture. Suggested for ideal performance are 50 mm.

The air outlet on the backside of the appliance can directly be accessed with a flat duct element (DN 150).

In air extraction mode a one-way flap with a maximum opening pressure of 65 Pa should be installed.

For optimum performance in air recirculation we recommend an outflow surface area of at least 440 cm².

Operates with magnetic (induction) iron pots and pans only. For an optimal heat distribution, the use of sandwich bottom cookware is recommended.

The pressuredrop resistant blower allows for ductings up to 8 m with 3x90° bows while keeping sufficient performance.

Appliance must be fixed from underneath.

Appliance weight: approx. 27 kg.

The appliance must be freely accessible from below.

When installing a ventilation hood with air extraction mode and a chimney-vented fireplace, the power supply line of the ventilation appliance needs a suitable safety switch.

Installation is possible in worktops made of stone, synthetics or solid wood. Heat resistance and watertight sealing of the cut edges must be observed. Concerning other materials please consult the worktop manufacturer. The bearing capacity and stability, in the case of thin worktops in particular, must be supported using suitable substructures. Take into account the appliance weight and additional loads. The groove must be continuous and even, so that uniform placing of the appliance on the gasket is ensured. Do not use discontinuous lining. Joint width may vary due to dimensional tolerances of the glass ceramic cooktop and the worktop cut-out.

Please read additional planning notes on page 150 – 151.

Connection

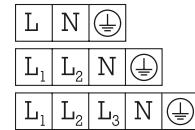
Total connected load 7.4 kW.

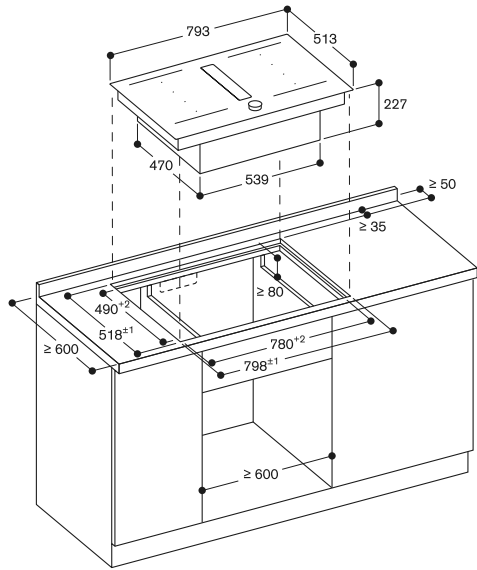
Connecting cable 1.5 m without plug.

Power consumption standby/ display off 0.5 W.

Power consumption standby/ network 2.0 W.

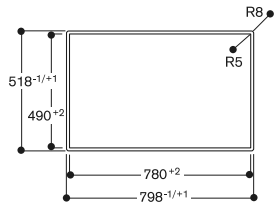
Please check the user manual for how to switch off the WiFi module.



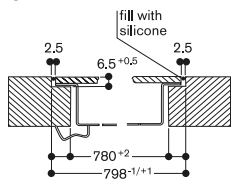


measurements in mm

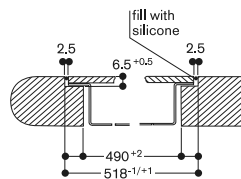
View from above



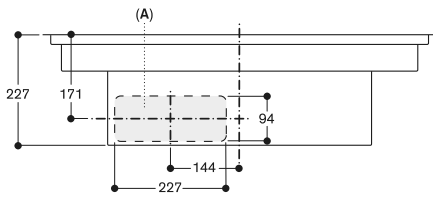
Longitudinal section



Cross section



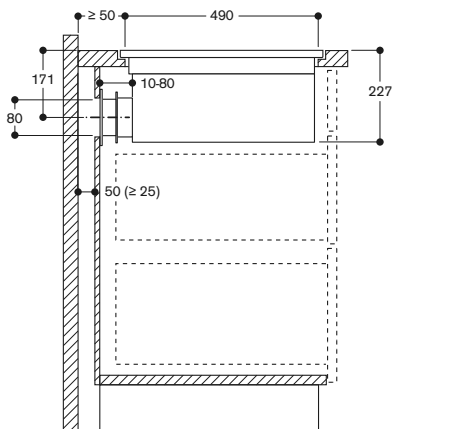
Front view



A: Connected directly at the rear

measurements in mm

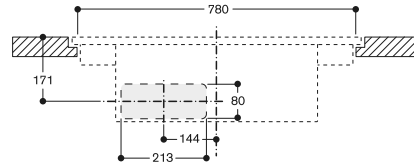
Side view of CV 282 101 with unducted recirculation



A: Not recommended for non-thermally insulated outer wall or floor ($U \geq 0.5 \text{ W/m}^2\text{°C}$)

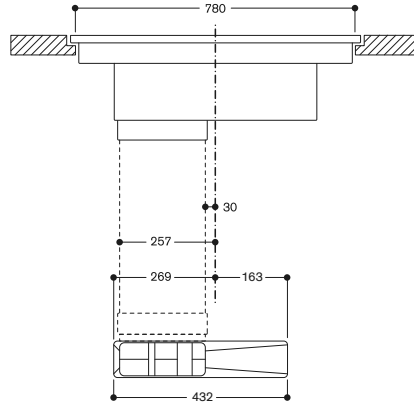
measurements in mm

Front view - furniture cut-out for unducted recirculation flush



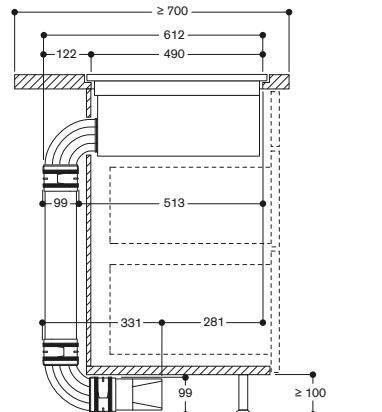
measurements in mm

Front view of CV 282 with ducted recirculation



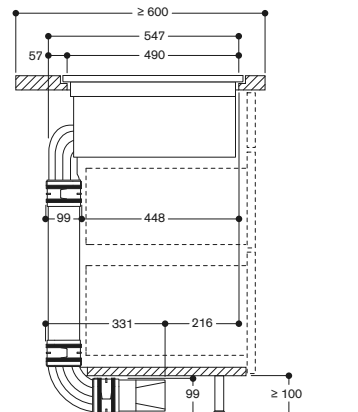
measurements in mm

Side view of CV 282 / CV 492 with kit ducted air recirculation, 700 mm worktop depth



A: Not recommended for non-thermally insulated outer wall or floor ($U \geq 0.5 \text{ W/m}^2\text{°C}$)
Measurements in mm

Side view of CV 282 / CV 492 with kit ducted air recirculation, 600 mm worktop depth



A: Not recommended for non-thermally insulated outer wall or floor ($U \geq 0.5 \text{ W/m}^2\text{°C}$)
Measurements in mm



CV 282 111

Stainless steel frame
Width 80 cm
Air extraction / Air recirculation
Delivery without ducting



Necessary installation accessories

CA 082 011

Kit unducted air recirculation

CA 082 061

Kit ducted air recirculation,
60 cm worktop depth

CA 082 071

Kit ducted air recirculation,
70 cm worktop depth

CA 084 010

4 acoustic filters for air extraction mode

Special accessories

CA 051 300

Teppan Yaki plate made of multi ply material
For flex induction cooktop.

CA 052 300

Griddle plate in cast aluminium
Non-stick.
For flex induction cooktop.

CA 230 1000

Black magnetic knob for induction cooktop 200 series
Stainless steel knob with black coating.

CA 282 112

4 activated charcoal filters with highly efficient odour reduction and allergen deactivation.

GP 900 001

Stainless steel frying sensor pan
Non-stick coating, ø 15 cm.

GP 900 002

Stainless steel frying sensor pan
Non-stick coating, ø 19 cm.

GP 900 003

Stainless steel frying sensor pan
Non-stick coating, ø 21 cm.

Installation accessories for air ducting you will find at the pages 245 – 251.

Flex induction cooktop with integrated ventilation system 200 series CV 282

- Sturdy stainless steel frame
- Flex function for combining the rectangular cooking areas
- Free positioning of cookware inside combined cooking areas
- Highly efficient ventilation system integrated in the cooktop
- Fully automatic ventilation system functions
- Large-scale metal grease filter, easy to remove, dishwasher-safe
- Energy-saving, low-noise fan
- Air extraction or air recirculation system
- Integrated activated charcoal filter easily removeable from above for air recirculation system
- Twist-Pad control with removable magnetic knob
- Easy control of all functions with bicoloured display

Cooking zones

2 flex induction cooking areas 23x19 cm (2200 W, with booster 3700 W), linked together 23x38 cm (3300 W, with booster 3700 W).

2 flex induction cooking areas 23x19 cm (2200 W, with booster 3700 W), linked together 23x38 cm (3300 W, with booster 3700 W).

Performance of ventilation system

Performance and noise level, output level 3/Intensive:

Air output according to EN 61591.

Sound power level according to EN 60704-3.

Odour reduction for air recirculation in accordance with EN 61591.

Air extraction:

532 / 636 m³/h.

70 / 74 dB (A) re 1 pW.

Air recirculation:

497 / 627 m³/h.

67 / 72 dB (A) re 1 pW.

Handling

Twist-Pad control with removable magnetic knob.

User friendly control with bicoloured display (white / orange).

Cooking zone and cooking area marking.
Electronic power control in 17 output levels.

Control of ventilation system with 3 electronically controlled power levels and 1 intensive mode.

Features

Flex function for rectangular cooking areas.

Automatic pot detection when the cooktop is switched on.

Professional cooking function.

Frying sensor function.

Booster function for pots.

Booster function for pans.

Keep warm function.

Automatic sensor-controlled performance adjustment of the ventilation system.

Automatic activation of the ventilation system when a cooking zone is used.

Interval ventilation, 6 min.

Automatic sensor controlled or manual run on function.

Activated charcoal filter saturation indicator.

Removable, dishwasher-safe grease filter unit.

High-grade black zinc die-casted cover for ventilation system, dishwasher-safe. Fan technology with highly efficient, brushless DC motor (BLDC).

Airflow-optimised interior for efficient air circulation.

Stopwatch.

Cooking timer for up to 99 minutes.

Short-term timer.

Memory function.

Options menu.

Power management.

Home network integration for digital services (Home Connect) wireless via WiFi.

The use of the Home Connect functionality depends on the Home Connect services, which are not available in every country. For further information please check: home-connect.com.

Please read additional information on Home Connect on page 345.

Consumption data

Energy efficiency class A at a range of energy efficiency classes from A+++ to D.

Energy consumption 56.9 kWh/year.

Ventilation efficiency class A.

Illumination efficiency class -.

Grease filter efficiency class B.

Sound level min. 61 dB / max. 70 dB normal mode.

Safety

Main switch.

Operation indicator.

Pot detection.

2-stage residual heat indication.

Child lock.

Safety shut-off.

Detachable, dishwasher-safe two-stage overflow protection.

Removable overflow container, 0,9-litre capacity, dishwasher-safe.

Planning notes

Bottom cabinet width: min. 60 cm.

Worktop depth: min. 60 cm.

Immersion depth 223 mm.

The unducted recirculation set CA 082 010 requires a vertical aperture of min. 25 mm behind the backpanel of the furniture. Suggested for ideal performance are 50 mm.

The air outlet on the backside of the appliance can directly be accessed with a flat duct element (DN 150).

In air extraction mode a one-way flap with a maximum opening pressure of 65 Pa should be installed.

For optimum performance in air recirculation we recommend an outflow surface area of at least 440 cm².

Operates with magnetic (induction) iron pots and pans only. For an optimal heat distribution, the use of sandwich bottom cookware is recommended.

The pressuredrop resistant blower allows for ductings up to 8 m with 3x90° bows while keeping sufficient performance.

Appliance must be fixed from underneath.

Appliance weight: approx. 29 kg.

The appliance must be freely accessible from below.

When installing a ventilation hood with air extraction mode and a chimney-vented fireplace, the power supply line of the ventilation appliance needs a suitable safety switch.

The bearing capacity and stability, in the case of thin worktops in particular, must be supported using suitable substructures. Take into account the appliance weight and additional loads.

Please read additional planning notes on page 150 – 151.

Connection

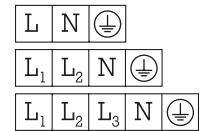
Total connected load 7.4 kW.

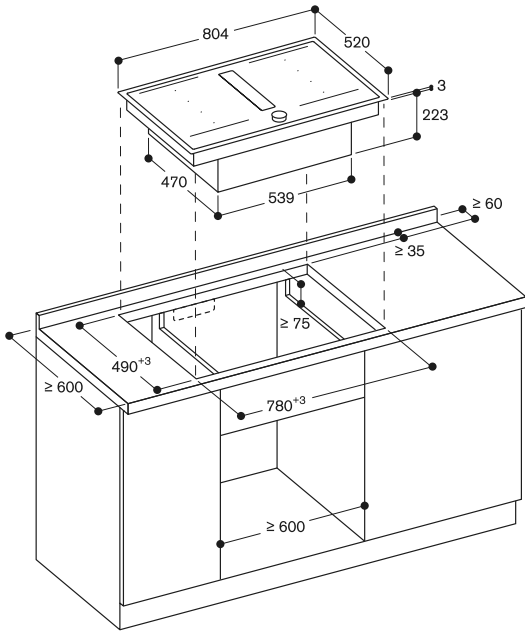
Connecting cable 1.5 m without plug.

Power consumption standby/display off 0.5 W.

Power consumption standby/network 2.0 W.

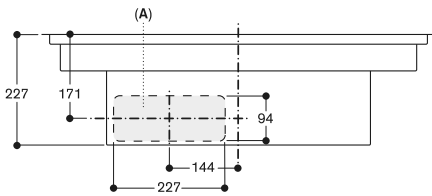
Please check the user manual for how to switch off the WiFi module.





measurements in mm

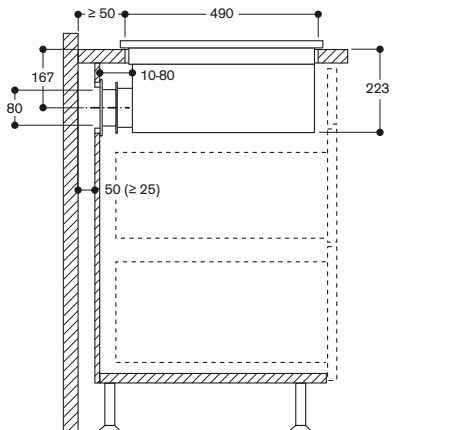
Front view



A: Connected directly at the rear

measurements in mm

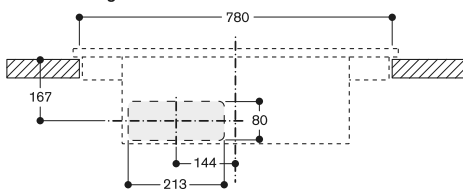
Side view of CV 282 111 with unducted recirculation



A: Not recommended for non-thermally insulated outer wall or floor ($U \geq 0.5 \text{ W/m}^2\text{°C}$)

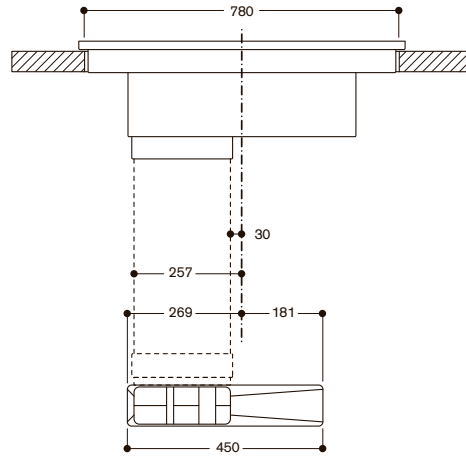
measurements in mm

Front view - furniture cut-out for unducted recirculation surface mounting



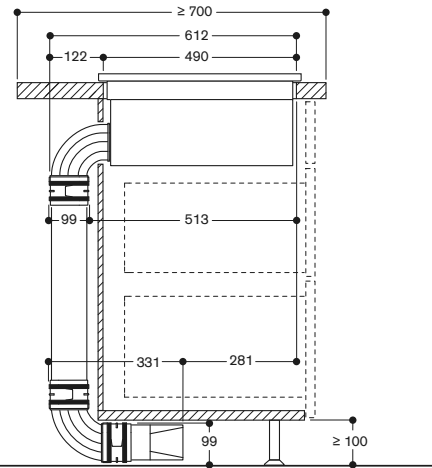
measurements in mm

Front view of CV 282 with ducted recirculation



Measurements in mm

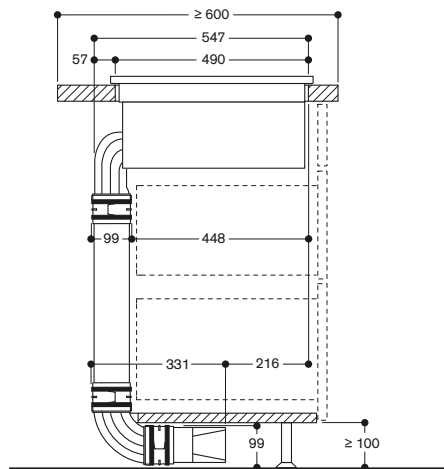
Side view of CV 282 111 with kit ducted air recirculation, 700 mm worktop depth



A: Not recommended for non-thermally insulated outer wall or floor ($U \geq 0.5 \text{ W/m}^2\text{°C}$)

Measurements in mm

Side view of CV 282 111 with kit ducted air recirculation, 600 mm worktop depth



A: Not recommended for non-thermally insulated outer wall or floor ($U \geq 0.5 \text{ W/m}^2\text{°C}$)

Measurements in mm

Planning examples for flex induction cooktop with integrated ventilation system

Good to know – for correct planning and installation

- For depth measurements, take account of the depth of the furniture cavity and worktop overhangs of the kitchen furniture.
- The air extraction ducting can be connected to the rear. The respective connecting pieces are available for this purpose.
- The appliance must be accessible from underneath.

Air recirculation

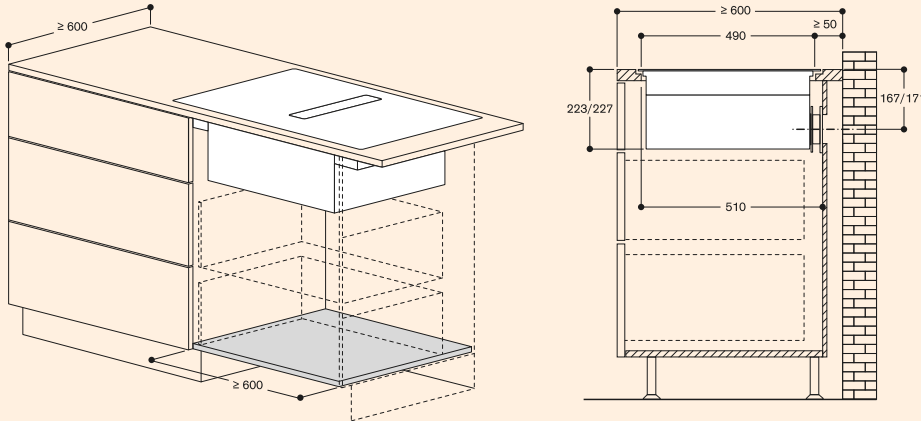
- Installation with air recirculation kits
- Filters can be replaced from above.
- Allow accessibility from below.
- For optimum performance, the recirculated air requires sufficient space to escape (outflow surface area of at least 440 cm²).
- The unducted recirculation set CA 082 011 requires a vertical aperture of min. 25 mm behind the backpanel of the furniture. Suggested for ideal performance are 50 mm.

Planning example 1

CV 282 / CV 492 with unducted air recirculation

Wall installation, worktop depth 60 cm, Vertical aperture of min. 25 mm behind the backpanel of the furniture. Suggested for ideal performance are 50 mm.

Not recommended for non-thermally insulated outer wall or floor ($U \geq 0.5 \text{ W/m}^2\text{°C}$).



List of components:

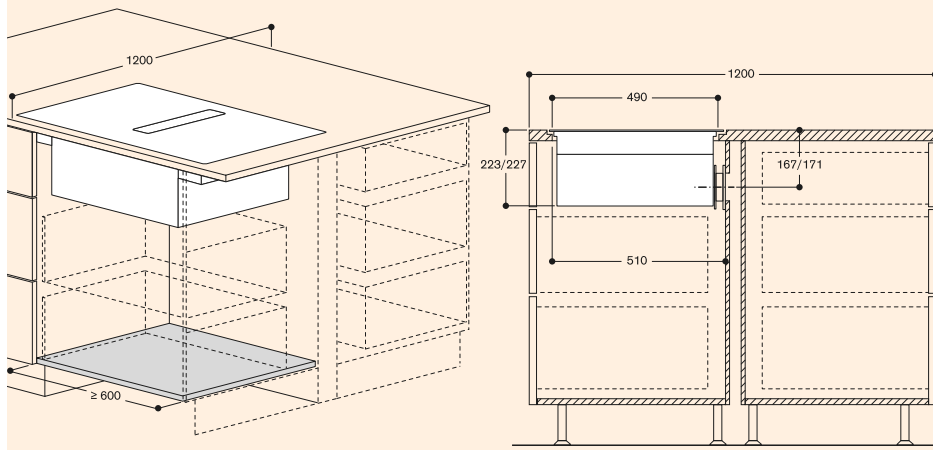
- 1 x CA 082 011 Recirculation kit

Planning example 2

CV 282 / CV 492 with unducted air recirculation

Island installation, worktop depth 120 cm, Vertical aperture of min. 25 mm behind the back panel of the furniture. Suggested for ideal performance are 50 mm.

Not recommended for non-thermally insulated outer wall or floor ($U \geq 0.5 \text{ W/m}^2\text{°C}$).



List of components:

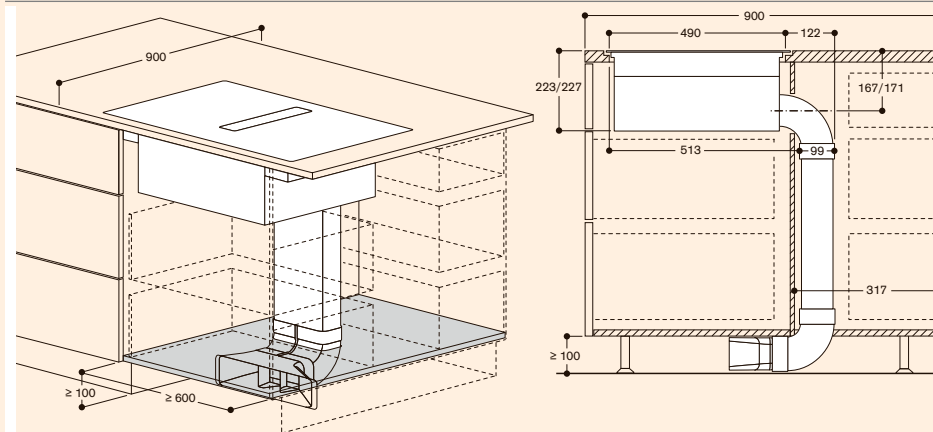
- 1 x CA 082 011 Recirculation kit

Planning example 3

CV 282 / CV 492 with ducted recirculation

Island installation, worktop depth 90 cm

Not recommended for non-thermally insulated outer wall or floor ($U \geq 0.5 \text{ W/m}^2\text{°C}$).



List of components:

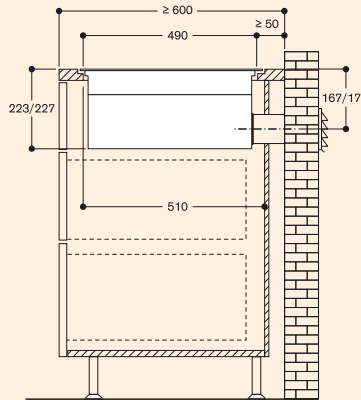
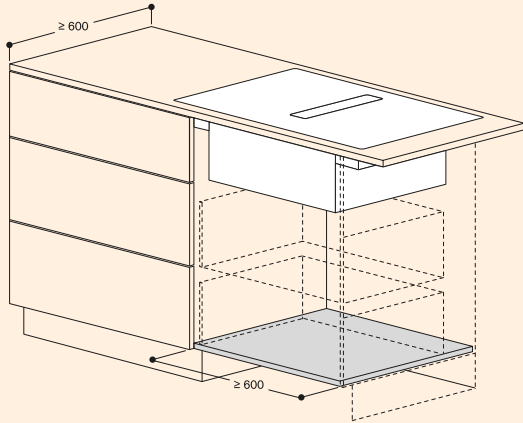
- 1 x CA 082 071 Kit ducted air recirculation, 70 cm worktop depth

Air extraction

- Appliance is directly accessible with male flat duct DN 150.
- For all extraction installations please foresee acoustic filter (CA 084 010)
- Maximum length of the air extraction ducting system 8 m to assure good performance.
- For optimum air circulation, we recommend ducts with DN 150. Ducting and connection pieces are available as special accessories.
- Two flat ducts must be connected with a flat duct connecting piece.

Planning example 4**CV 282 / CV 492 with air extraction installation**

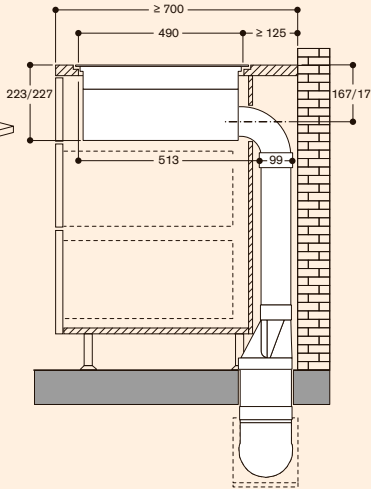
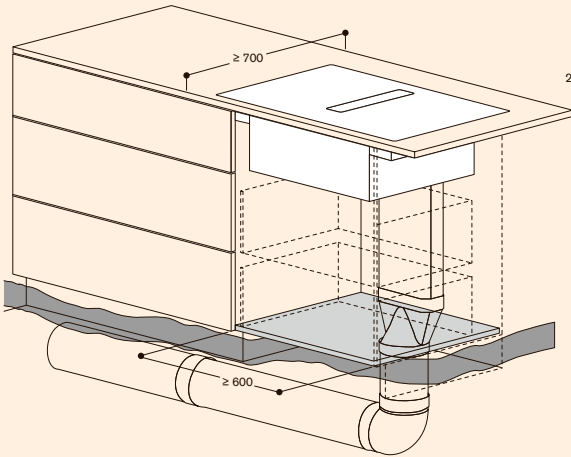
Wall installation, worktop depth 60 cm, direct connection to flat wall outlet.

**List of components:**

- 1 x CA 084 010 Extraction kit
- 1 x AD 857 015 Flat duct DN 150 (0,5 meter)
- 1 x AD 850 050 Wall outlet DN150 flat

Planning example 5**CV 282 / CV 492 with air extraction installation**

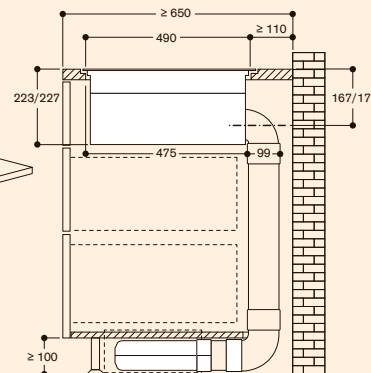
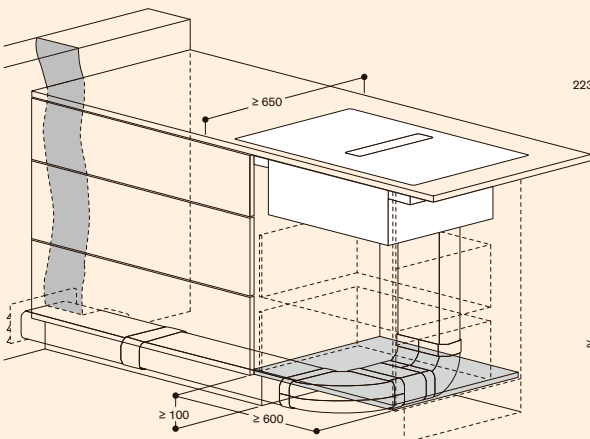
Wall or island installation, worktop depth 70 cm, ducting directed to the outside via the cellar.

**List of components:**

- 1 x CA 084 010 Extraction kit
- 1 x AD 857 010 Flat duct DN 150 (1 meter)
- 1 x AD 857 030 Flat duct bend 90° vertical DN150 flat
- 1 x AD 857 041 Flat duct adapter round DN150 to DN150 flat
- 3 x AD 752 010 Round duct DN150
- 1 x AD 752 030 Duct bend 90° DN150
- 1 x AD 754 090 Pipe connector DN150
- 1 x AD 750 053 Wall outlet with telescopic duct DN150
- 1 x AD 990 090 Adhesive tape
- 2 x AD 857 040 Flat duct connecting piece

Planning example 6**CV 282 / CV 492 with air extraction installation**

Wall installation, worktop depth 65 cm, ducting behind the cabinet and in the plinth.

**List of components:**

- 1 x CA 084 010 Extraction kit
- 4 x AD 857 010 Flat duct DN 150 (1 meter)
- 1 x AD 857 030 Flat duct bend 90° vertical DN150 flat
- 1 x AD 857 031 Flat duct bend 90° horizontal
- 1 x AD 850 050 Wall outlet DN150 flat
- 1 x AD 857 033 Short flat duct bend 90° vertical DN150°
- 6 x AD 857 040 Flat duct connecting piece



CI 292 102

Frameless
Width 90 cm

Special accessories

CA 051 300

Teppan Yaki plate made of multi ply material

For flex induction cooktop.

CA 052 300

Griddle plate in cast aluminium
Non-stick.

For flex induction cooktop.

CA 230 100

Black magnetic knob for induction cooktop 200 series

Stainless steel knob with black coating.

GP 900 001

Stainless steel frying sensor pan
Non-stick coating, ø 15 cm.

GP 900 002

Stainless steel frying sensor pan
Non-stick coating, ø 19 cm.

GP 900 003

Stainless steel frying sensor pan
Non-stick coating, ø 21 cm.

GP 900 004

Stainless steel frying sensor pan
Non-stick coating, ø 28 cm.

Flex induction cooktop 200 series

CI 292

- Frameless for flush mounting
- Flex function for combining the rectangular cooking areas
- Free positioning of cookware inside combined cooking areas
- Professional cooking function for splitting the cooktop into predefined heat areas
- Frying sensor function for temperature control in pans
- Large cooking zone for pots up to ø32 cm
- Twist-Pad control with removable magnetic knob
- Easy control of all functions with bicoloured display

Cooking zones

2 flex induction cooking areas 23x20 cm (2200 W, with booster 3700 W), linked together 23x40 cm (3300 W, with booster 3700 W).

2 flex induction cooking areas 23x20 cm (2200 W, with booster 3700 W), linked together 23x40 cm (3300 W, with booster 3700 W).

1 induction cooking zone ø 21 cm (2200 W, with booster 3700 W), automatically switches to ø 26 cm (2600 W, with booster 3700 W) and to ø 32 cm (3300 W, with booster 3700 W).

Handling

Twist-Pad control with removable magnetic knob.

User friendly control with bicoloured display (white / orange).

Cooking zone and cooking area marking.

Electronic power control in 17 output levels.

Features

Flex function for rectangular cooking areas.

Professional cooking function.

Frying sensor function.

Booster function for pots.

Booster function for pans.

Keep warm function.

Stopwatch.

Cooking timer for up to 99 minutes.

Short-term timer.

Options menu.

Power management.

Cooktop-based ventilation control (with suitable hood).

Home network integration for digital services (Home Connect) wireless via WiFi.

The use of the Home Connect functionality depends on the Home Connect services, which are not available in every country. For further information please check: home-connect.com.

Please read additional information on Home Connect on page 345.

Safety

Main switch.

Operation indicator.

Pot detection.

2-stage residual heat indication.

Child lock.

Safety shut-off.

Planning notes

Installation is possible in worktops made of stone, synthetics or solid wood. Heat resistance and watertight sealing of the cut edges must be observed. Concerning other materials please consult the worktop manufacturer. The groove must be continuous and even, so that uniform placing of the appliance on the gasket is ensured. Do not use discontinuous lining. The joint width may vary due to size tolerances of the combinations and of the worktop cut-out. Operates with magnetic (induction) iron pots and pans only. For an optimal heat distribution, the use of sandwich bottom cookware is recommended. The wok pan WP 400 001 cannot be used with this appliance. Appliance must be fixed from underneath. Appliance weight: approx. 27 kg.

Please read the installation details regarding air ducting on page 172.

Connection

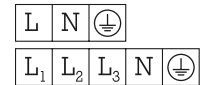
Total connected load 11.1 kW.

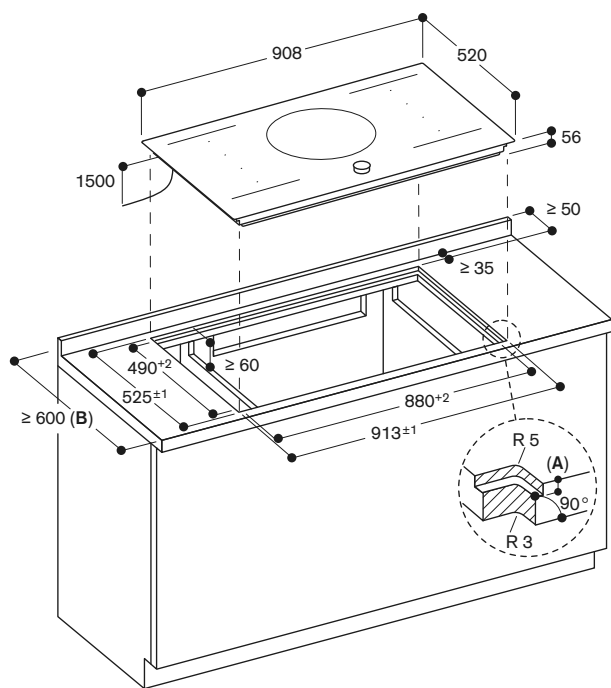
Connecting cable 1.5 m without plug.

Power consumption standby/display off 0.5 W.

Power consumption standby/network 2.0 W.

Please check the user manual for how to switch off the WiFi module.

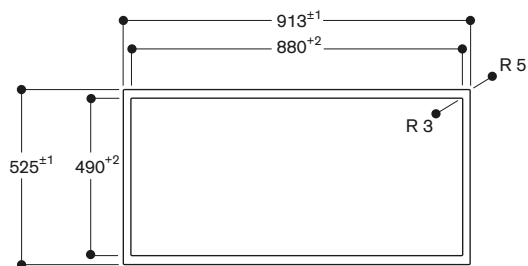




- A: $6.5^{+0.5}$
- B: Please check the installation manual in case the worktop depth is below 600 mm.

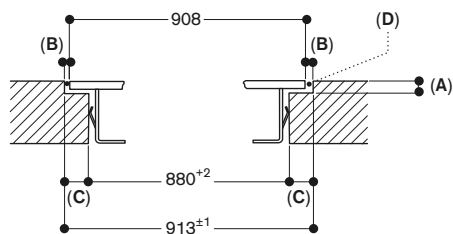
measurements in mm

View from above



measurements in mm

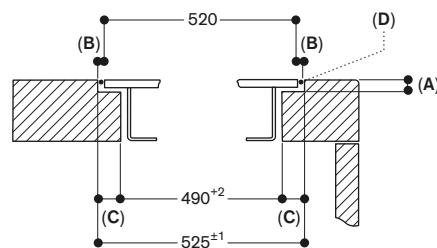
Longitudinal section



- A: $6.5^{+0.5}$
- B: 2.5
- C: 16.5
- D: Fill with silicone

measurements in mm

Cross-section



- A: $6.5^{+0.5}$
- B: 2.5
- C: 17.5
- D: Fill with silicone

measurements in mm



CI 292 112

Stainless steel frame
Width 90 cm

Special accessories

CA 051 300

Teppan Yaki plate made of multi ply material

For flex induction cooktop.

CA 052 300

Griddle plate in cast aluminium
Non-stick.

For flex induction cooktop.

CA 230 100

Black magnetic knob for induction cooktop 200 series

Stainless steel knob with black coating.

GP 900 001

Stainless steel frying sensor pan
Non-stick coating, ø 15 cm.

GP 900 002

Stainless steel frying sensor pan
Non-stick coating, ø 19 cm.

GP 900 003

Stainless steel frying sensor pan
Non-stick coating, ø 21 cm.

GP 900 004

Stainless steel frying sensor pan
Non-stick coating, ø 28 cm.

Flex induction cooktop 200 series

CI 292

- Sturdy stainless steel frame
- Flex function for combining the rectangular cooking areas
- Free positioning of cookware inside combined cooking areas
- Professional cooking function for splitting the cooktop into predefined heat areas
- Frying sensor function for temperature control in pans
- Large cooking zone for pots up to ø32 cm
- Twist-Pad control with removable magnetic knob
- Easy control of all functions with bicoloured display

Cooking zones

2 flex induction cooking areas 23x19 cm (2200 W, with booster 3700 W), linked together 23x38 cm (3300 W, with booster 3700 W).

2 flex induction cooking areas 23x19 cm (2200 W, with booster 3700 W), linked together 23x38 cm (3300 W, with booster 3700 W).

1 induction cooking zone ø 21 cm (2200 W, with booster 3700 W), automatically switches to ø 26 cm (2600 W, with booster 3700 W) and to ø 32 cm (3300 W, with booster 3700 W).

Handling

Twist-Pad control with removable magnetic knob.
User friendly control with bicoloured display (white / orange).
Cooking zone and cooking area marking.
Electronic power control in 17 output levels.

Features

Flex function for rectangular cooking areas.
Professional cooking function.
Frying sensor function.
Booster function for pots.
Booster function for pans.
Keep warm function.
Stopwatch.
Cooking timer for up to 99 minutes.
Short-term timer.
Options menu.
Power management.
Cooktop-based ventilation control (with suitable hood).

Home network integration for digital services (Home Connect) wireless via WiFi.

The use of the Home Connect functionality depends on the Home Connect services, which are not available in every country. For further information please check: home-connect.com.

Please read additional information on Home Connect on page 345.

Safety

Main switch.
Operation indicator.
Pot detection.
2-stage residual heat indication.
Child lock.
Safety shut-off.

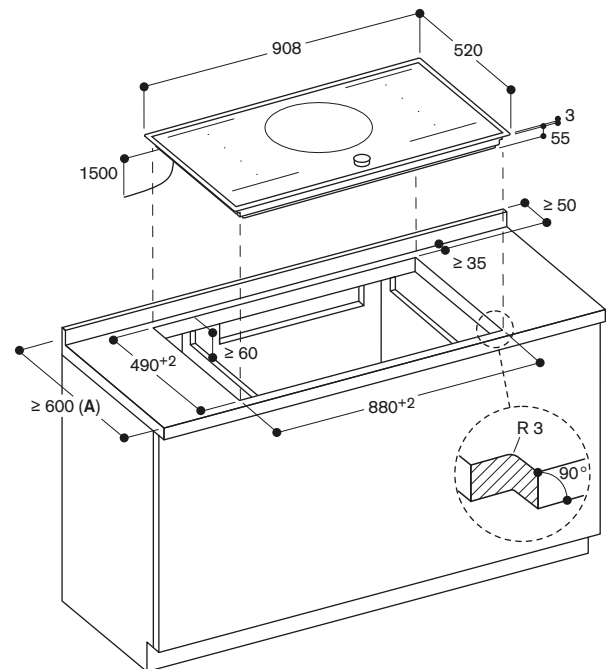
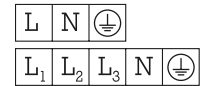
Planning notes

Installation is possible in worktops made of stone, synthetics or solid wood. Heat resistance and watertight sealing of the cut edges must be observed. Concerning other materials please consult the worktop manufacturer. Operates with magnetic (induction) iron pots and pans only. For an optimal heat distribution, the use of sandwich bottom cookware is recommended. The wok pan WP 400 001 cannot be used with this appliance. Appliance must be fixed from underneath. Appliance weight: approx. 23 kg.

Please read the installation details regarding air ducting on page 172.

Connection

Total connected load 11.1 kW.
Connecting cable 1.5 m without plug.
Power consumption standby/display off 0.5 W.
Power consumption standby/network 2.0 W.
Please check the user manual for how to switch off the WiFi module.



A: Please check the installation manual in case the worktop depth is below 600 mm.

measurements in mm



CI 283 103

Frameless

Width 80 cm

Special accessories

CA 051 300

Teppan Yaki plate made of multi ply material

For flex induction cooktop.

CA 052 300

Griddle plate in cast aluminium

Non-stick.

For flex induction cooktop.

CA 230 100

Black magnetic knob for induction cooktop 200 series

Stainless steel knob with black coating.

GP 900 001

Stainless steel frying sensor pan

Non-stick coating, ø 15 cm.

GP 900 002

Stainless steel frying sensor pan

Non-stick coating, ø 19 cm.

GP 900 003

Stainless steel frying sensor pan

Non-stick coating, ø 21 cm.

Flex induction cooktop 200 series

CI 283

- Frameless for flush mounting
- Flex function for combining the rectangular cooking areas
- Free positioning of cookware inside combined cooking areas
- Professional cooking function for splitting the cooktop into predefined heat areas
- Frying sensor function for temperature control in pans
- Twist-Pad control with removable magnetic knob
- Easy control of all functions with bicoloured display

Cooking zones

2 flex induction cooking areas 21x20 cm (2200 W, with booster 3700 W), linked together 21x40 cm (3300 W, with booster 3700 W).

1 induction cooking zone ø 24 cm (2200 W, with booster 3700 W).

1 induction cooking zone ø 18 cm (1800 W, with booster 3100 W).

1 induction cooking zone ø 15 cm (1400 W, with booster 2200 W).

Handling

Twist-Pad control with removable magnetic knob.

User friendly control with bicoloured display (white / orange).

Cooking zone and cooking area marking.

Electronic power control in 17 output levels.

Features

Flex function for rectangular cooking areas.

Professional cooking function.

Frying sensor function.

Booster function for pots.

Booster function for pans.

Keep warm function.

Stopwatch.

Cooking timer for up to 99 minutes.

Short-term timer.

Options menu.

Power management.

Cooktop-based ventilation control (with suitable hood).

Home network integration for digital services (Home Connect) wireless via WiFi.

The use of the Home Connect functionality depends on the Home Connect services, which are not available in every country. For further information please check: home-connect.com.

Please read additional information on Home Connect on page 345.

Safety

Main switch.

Operation indicator.

Pot detection.

2-stage residual heat indication.

Child lock.

Safety shut-off.

Planning notes

Installation is possible in worktops made of stone, synthetics or solid wood. Heat resistance and watertight sealing of the cut edges must be observed. Concerning other materials please consult the worktop manufacturer. The groove must be continuous and even, so that uniform placing of the appliance on the gasket is ensured. Do not use discontinuous lining. The joint width may vary due to size tolerances of the combinations and of the worktop cut-out.

Operates with magnetic (induction) iron pots and pans only. For an optimal heat distribution, the use of sandwich bottom cookware is recommended. The wok pan WP 400 001 cannot be used with this appliance.

Appliance must be fixed from underneath.

Appliance weight: approx. 16 kg.

Please read the installation details regarding air ducting on page 172.

Connection

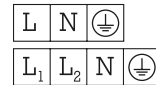
Total connected load 7.4 kW.

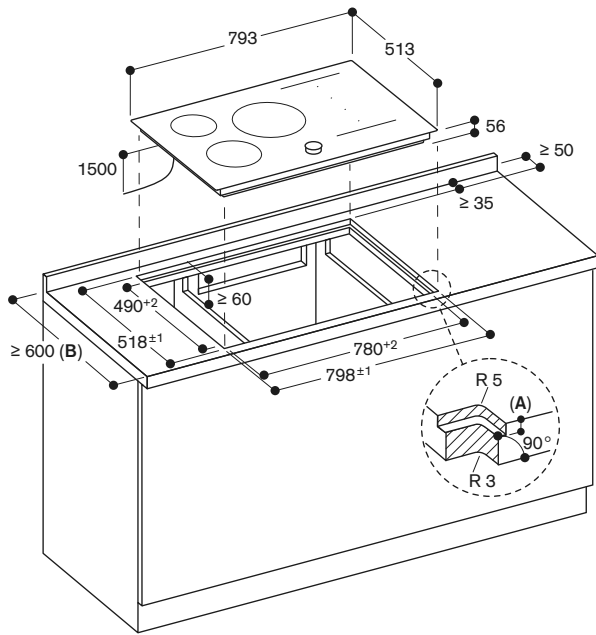
Connecting cable 1.5 m without plug.

Power consumption standby/ display off 0.5 W.

Power consumption standby/ network 2.0 W.

Please check the user manual for how to switch off the WiFi module.

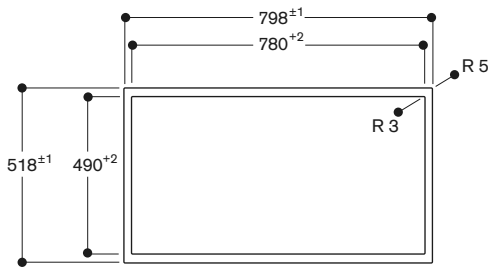




A: $6.5^{+0.5}$
 B: Please check the installation manual in case the worktop depth is below 600 mm.

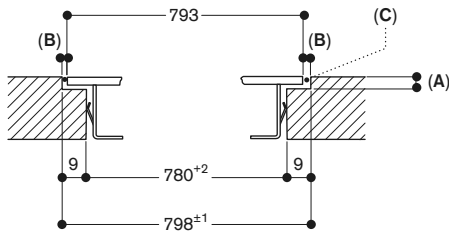
measurements in mm

View from above



measurements in mm

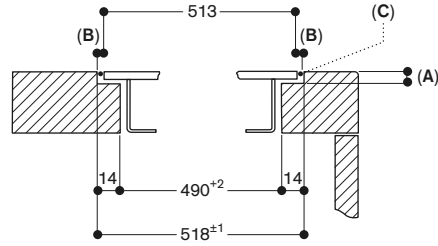
Longitudinal section



A: $6.5^{+0.5}$
 B: 2.5
 C: Fill with silicone

measurements in mm

Cross-section



A: $6.5^{+0.5}$
 B: 2.5
 C: Fill with silicone

measurements in mm



CI 283 113

Stainless steel frame
Width 80 cm

Special accessories

CA 051 300

Teppan Yaki plate made of multi ply material

For flex induction cooktop.

CA 052 300

Griddle plate in cast aluminium
Non-stick.

For flex induction cooktop.

CA 230 100

Black magnetic knob for induction cooktop 200 series

Stainless steel knob with black coating.

GP 900 001

Stainless steel frying sensor pan
Non-stick coating, ø 15 cm.

GP 900 002

Stainless steel frying sensor pan
Non-stick coating, ø 19 cm.

GP 900 003

Stainless steel frying sensor pan
Non-stick coating, ø 21 cm.

Flex induction cooktop 200 series

CI 283

- Sturdy stainless steel frame
- Flex function for combining the rectangular cooking areas
- Free positioning of cookware inside combined cooking areas
- Professional cooking function for splitting the cooktop into predefined heat areas
- Frying sensor function for temperature control in pans
- Twist-Pad control with removable magnetic knob
- Easy control of all functions with bicoloured display

Cooking zones

2 flex induction cooking areas 21x19 cm (2200 W, with booster 3700 W), linked together 21x38 cm (3300 W, with booster 3700 W).

1 induction cooking zone ø 24 cm (2200 W, with booster 3700 W).

1 induction cooking zone ø 18 cm (1800 W, with booster 3100 W).

1 induction cooking zone ø 15 cm (1400 W, with booster 2200 W).

Handling

Twist-Pad control with removable magnetic knob.

User friendly control with bicoloured display (white / orange).

Cooking zone and cooking area marking.
Electronic power control in 17 output levels.

Features

Flex function for rectangular cooking areas.

Professional cooking function.

Frying sensor function.

Booster function for pots.

Booster function for pans.

Keep warm function.

Stopwatch.

Cooking timer for up to 99 minutes.

Short-term timer.

Options menu.

Power management.

Cooktop-based ventilation control (with suitable hood).

Home network integration for digital services (Home Connect) wireless via WiFi.

The use of the Home Connect functionality depends on the Home Connect services, which are not available in every country. For further information please check: home-connect.com.

Please read additional information on Home Connect on page 345.

Safety

Main switch.

Operation indicator.

Pot detection.

2-stage residual heat indication.

Child lock.

Safety shut-off.

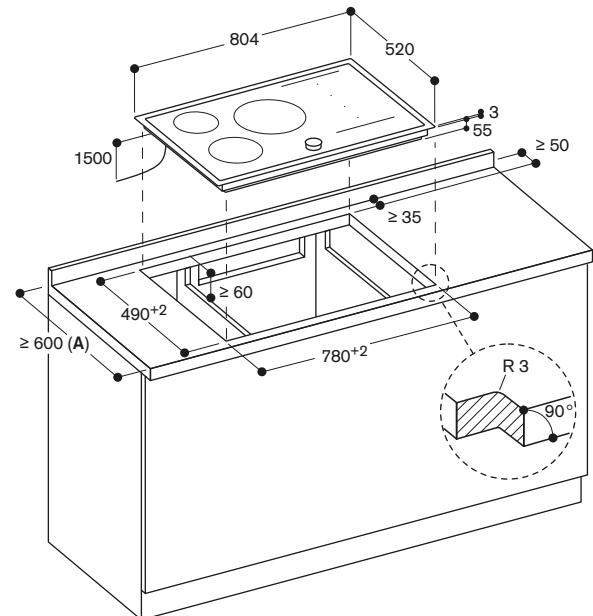
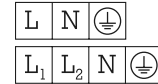
Planning notes

Installation is possible in worktops made of stone, synthetics or solid wood. Heat resistance and watertight sealing of the cut edges must be observed. Concerning other materials please consult the worktop manufacturer. Operates with magnetic (induction) iron pots and pans only. For an optimal heat distribution, the use of sandwich bottom cookware is recommended. The wok pan WP 400 001 cannot be used with this appliance. Appliance must be fixed from underneath. Appliance weight: approx. 17 kg.

Please read the installation details regarding air ducting on page 172.

Connection

Total connected load 7.4 kW.
Connecting cable 1.5 m without plug.
Power consumption standby/ display off 0.5 W.
Power consumption standby/ network 2.0 W.
Please check the user manual for how to switch off the WiFi module.



A: Please check the installation manual in case the worktop depth is below 600 mm.

measurements in mm



CI 282 102

Frameless

Width 80 cm

Special accessories

CA 051 300

Teppan Yaki plate made of multi ply material

For flex induction cooktop.

CA 052 300

Griddle plate in cast aluminium

Non-stick.

For flex induction cooktop.

CA 230 100

Black magnetic knob for induction cooktop 200 series

Stainless steel knob with black coating.

GP 900 001

Stainless steel frying sensor pan

Non-stick coating, ø 15 cm.

GP 900 002

Stainless steel frying sensor pan

Non-stick coating, ø 19 cm.

GP 900 003

Stainless steel frying sensor pan

Non-stick coating, ø 21 cm.

GP 900 004

Stainless steel frying sensor pan

Non-stick coating, ø 28 cm.

Flex induction cooktop 200 series

CI 282

- Frameless for flush mounting
- Flex function for combining the rectangular cooking areas
- Free positioning of cookware inside combined cooking areas with automatic extension up to 30 cm width
- Professional cooking function for splitting the cooktop into predefined heat areas
- Frying sensor function for temperature control in pans
- Twist-Pad control with removable magnetic knob
- Easy control of all functions with bicoloured display

Cooking zones

2 flex induction cooking areas 23x20 cm (2200 W, with booster 3700 W), linked together 23x40 cm (3300 W, with booster 3700 W), with automatic extension up to 30x30 cm (3300 W, with booster 3700 W).

2 flex induction cooking areas 23x20 cm (2200 W, with booster 3700 W), linked together 23x40 cm (3300 W, with booster 3700 W), with automatic extension up to 30x30 cm (3300 W, with booster 3700 W).

Handling

Twist-Pad control with removable magnetic knob.

User friendly control with bicoloured display (white / orange).

Cooking zone and cooking area marking.
Electronic power control in 17 output levels.

Features

Flex function for rectangular cooking areas.

Professional cooking function.

Frying sensor function.

Booster function for pots.

Booster function for pans.

Keep warm function.

Stopwatch.

Cooking timer for up to 99 minutes.

Short-term timer.

Options menu.

Power management.

Cooktop-based ventilation control (with suitable hood).

Home network integration for digital services (Home Connect) wireless via WiFi.

The use of the Home Connect functionality depends on the Home Connect services, which are not available in every country. For further information please check: home-connect.com.

Please read additional information on Home Connect on page 345.

Safety

Main switch.

Operation indicator.

Pot detection.

2-stage residual heat indication.

Child lock.

Safety shut-off.

Planning notes

Installation is possible in worktops made of stone, synthetics or solid wood. Heat resistance and watertight sealing of the cut edges must be observed. Concerning other materials please consult the worktop manufacturer. Operates with magnetic (induction) iron pots and pans only. For an optimal heat distribution, the use of sandwich bottom cookware is recommended. The wok pan WP 400 001 cannot be used with this appliance. Appliance must be fixed from underneath. Appliance weight: approx. 18 kg.

Please read the installation details regarding air ducting on page 172.

Connection

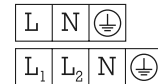
Total connected load 7.4 kW.

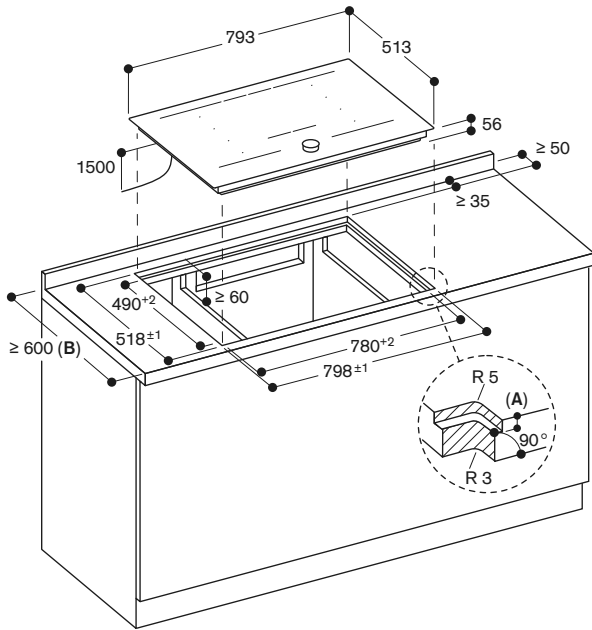
Connecting cable 1.5 m without plug.

Power consumption standby/ display off 0.5 W.

Power consumption standby/ network 2.0 W.

Please check the user manual for how to switch off the WiFi module.

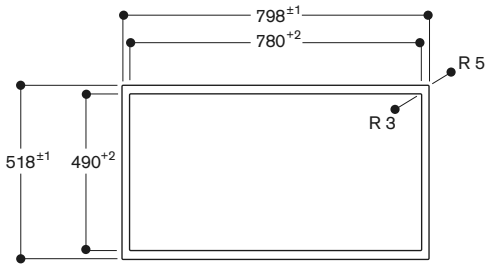




A: $6.5^{+0.5}$
 B: Please check the installation manual in case the worktop depth is below 600 mm.

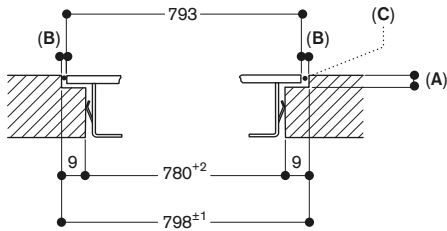
measurements in mm

View from above



measurements in mm

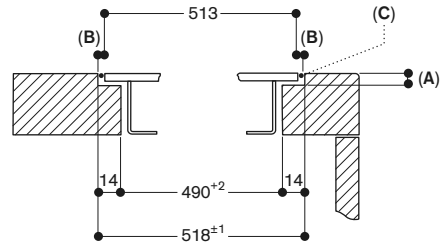
Longitudinal section



A: $6.5^{+0.5}$
 B: 2.5
 C: Fill with silicone

measurements in mm

Cross-section



A: $6.5^{+0.5}$
 B: 2.5
 C: Fill with silicone
 measurements in mm



CI 282 112

Stainless steel frame
Width 80 cm

Special accessories

CA 051 300

Teppan Yaki plate made of multi ply material
For flex induction cooktop.

CA 052 300

Griddle plate in cast aluminium
Non-stick.
For flex induction cooktop.

CA 230 100

Black magnetic knob for induction cooktop 200 series
Stainless steel knob with black coating.

GP 900 001

Stainless steel frying sensor pan
Non-stick coating, ø 15 cm.

GP 900 002

Stainless steel frying sensor pan
Non-stick coating, ø 19 cm.

GP 900 003

Stainless steel frying sensor pan
Non-stick coating, ø 21 cm.

GP 900 004

Stainless steel frying sensor pan
Non-stick coating, ø 28 cm.

Flex induction cooktop 200 series

CI 282

- Sturdy stainless steel frame
- Flex function for combining the rectangular cooking areas
- Free positioning of cookware inside combined cooking areas with automatic extension up to 30 cm width
- Professional cooking function for splitting the cooktop into predefined heat areas
- Frying sensor function for temperature control in pans
- Twist-Pad control with removable magnetic knob
- Easy control of all functions with bicoloured display

Cooking zones

2 flex induction cooking areas 22,5x19 cm (2200 W, with booster 3700 W), linked together 22,5x38 cm (3300 W, with booster 3700 W), with automatic extension up to 30x30 cm (3300 W, with booster 3700 W).

2 flex induction cooking areas 22,5x19 cm (2200 W, with booster 3700 W), linked together 22,5x38 cm (3300 W, with booster 3700 W), with automatic extension up to 30x30 cm (3300 W, with booster 3700 W).

Handling

Twist-Pad control with removable magnetic knob.
User friendly control with bicoloured display (white / orange).
Cooking zone and cooking area marking.
Electronic power control in 17 output levels.

Features

Flex function for rectangular cooking areas.
Professional cooking function.
Frying sensor function.
Booster function for pots.
Booster function for pans.
Keep warm function.
Stopwatch.
Cooking timer for up to 99 minutes.
Short-term timer.
Options menu.
Power management.
Cooktop-based ventilation control (with suitable hood).

Home network integration for digital services (Home Connect) wireless via WiFi.

The use of the Home Connect functionality depends on the Home Connect services, which are not available in every country. For further information please check: home-connect.com.

Please read additional information on Home Connect on page 345.

Safety

Main switch.
Operation indicator.
Pot detection.
2-stage residual heat indication.
Child lock.
Safety shut-off.

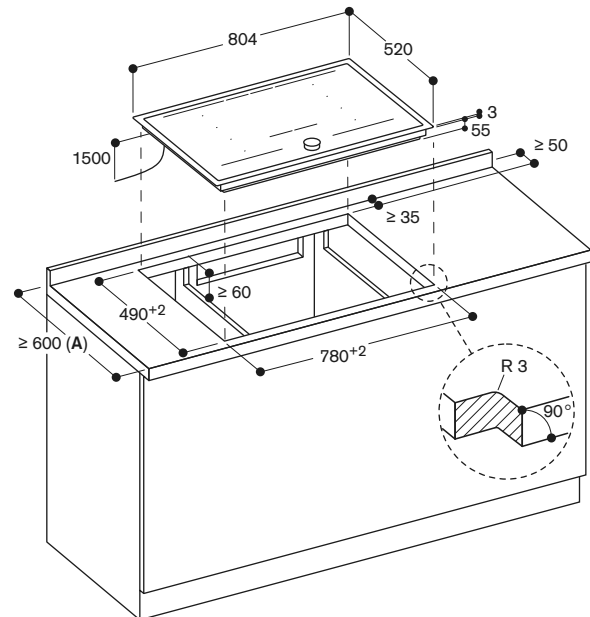
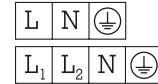
Planning notes

Installation is possible in worktops made of stone, synthetics or solid wood. Heat resistance and watertight sealing of the cut edges must be observed. Concerning other materials please consult the worktop manufacturer. Operates with magnetic (induction) iron pots and pans only. For an optimal heat distribution, the use of sandwich bottom cookware is recommended. The wok pan WP 400 001 cannot be used with this appliance. Appliance must be fixed from underneath. Appliance weight: approx. 17 kg.

Please read the installation details regarding air ducting on page 172.

Connection

Total connected load 7.4 kW.
Connecting cable 1.5 m without plug.
Power consumption standby/ display off 0.5 W.
Power consumption standby/ network 2.0 W.
Please check the user manual for how to switch off the WiFi module.



A: Please check the installation manual in case the worktop depth is below 600 mm.

measurements in mm



CI 272 103

Frameless
Width 70 cm

Special accessories

CA 051 300

Teppan Yaki plate made of multi ply material

For flex induction cooktop.

CA 052 300

Griddle plate in cast aluminium
Non-stick.

For flex induction cooktop.

CA 230 100

Black magnetic knob for induction cooktop 200 series

Stainless steel knob with black coating.

GP 900 001

Stainless steel frying sensor pan
Non-stick coating, ø 15 cm.

GP 900 002

Stainless steel frying sensor pan
Non-stick coating, ø 19 cm.

GP 900 003

Stainless steel frying sensor pan
Non-stick coating, ø 21 cm.

GP 900 004

Stainless steel frying sensor pan
Non-stick coating, ø 28 cm.

Flex induction cooktop 200 series

CI 272

- Frameless for flush mounting
- Flex function for combining the rectangular cooking areas
- Free positioning of cookware inside combined cooking areas with automatic extension up to 30 cm width
- Professional cooking function for splitting the cooktop into predefined heat areas
- Frying sensor function for temperature control in pans
- Twist-Pad control with removable magnetic knob
- Easy control of all functions with bicoloured display

Cooking zones

2 flex induction cooking areas 23x19 cm (2200 W, with booster 3700 W), linked together 23x38 cm (3300 W, with booster 3700 W), with automatic extension up to 30x30 cm (3300 W, with booster 3700 W).

2 flex induction cooking areas 23x19 cm (2200 W, with booster 3700 W), linked together 23x38 cm (3300 W, with booster 3700 W), with automatic extension up to 30x30 cm (3300 W, with booster 3700 W).

Handling

Twist-Pad control with removable magnetic knob.

User friendly control with bicoloured display (white / orange).

Cooking zone and cooking area marking.
Electronic power control in 17 output levels.

Features

Flex function for rectangular cooking areas.

Professional cooking function.

Frying sensor function.

Booster function for pots.

Booster function for pans.

Keep warm function.

Stopwatch.

Cooking timer for up to 99 minutes.

Short-term timer.

Options menu.

Power management.

Cooktop-based ventilation control (with suitable hood).

Home network integration for digital services (Home Connect) wireless via WiFi.

The use of the Home Connect functionality depends on the Home Connect services, which are not available in every country. For further information please check: home-connect.com.

Please read additional information on Home Connect on page 345.

Safety

Main switch.

Operation indicator.

Pot detection.

2-stage residual heat indication.

Child lock.

Safety shut-off.

Planning notes

Installation is possible in worktops made of stone, synthetics or solid wood. Heat resistance and watertight sealing of the cut edges must be observed. Concerning other materials please consult the worktop manufacturer. Operates with magnetic (induction) iron pots and pans only. For an optimal heat distribution, the use of sandwich bottom cookware is recommended. The wok pan WP 400 001 cannot be used with this appliance. Appliance must be fixed from underneath. Appliance weight: approx. 16 kg.

Please read the installation details regarding air ducting on page 172.

Connection

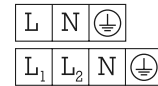
Total connected load 7.4 kW.

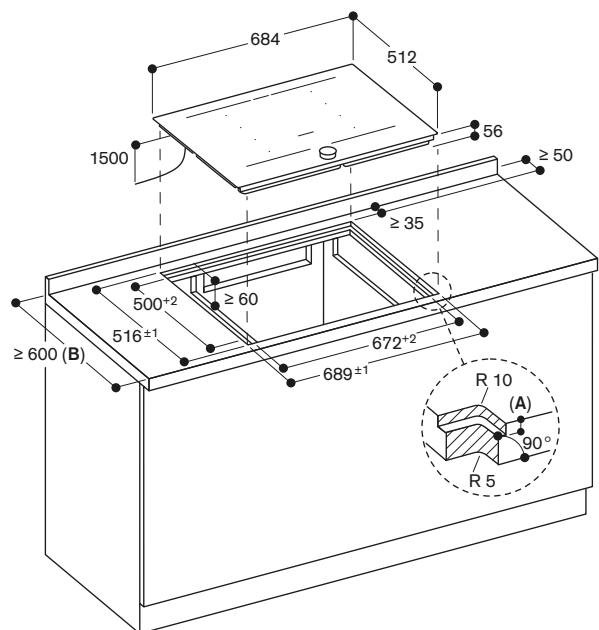
Connecting cable 1.5 m without plug.

Power consumption standby/ display off 0.5 W.

Power consumption standby/ network 2.0 W.

Please check the user manual for how to switch off the WiFi module.

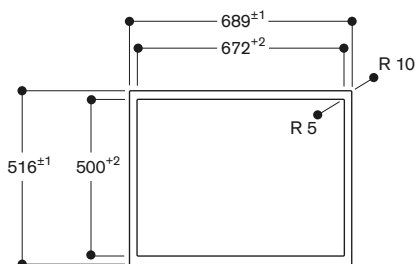




A: $6.5^{+0.5}$
 B: Please check the installation manual in case the worktop depth is below 600 mm.

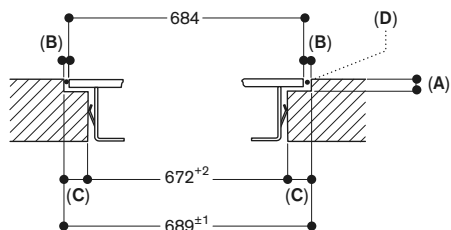
measurements in mm

View from above



measurements in mm

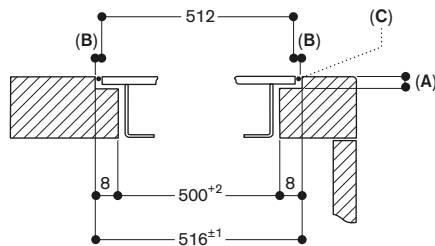
Longitudinal section



A: $6.5^{+0.5}$
 B: 2.5
 C: 8.5
 D: Fill with silicone

measurements in mm

Cross-section



A: $6.5^{+0.5}$
 B: 2.5
 C: Fill with silicone

measurements in mm



CI 272 113

Stainless steel frame
Width 70 cm

Special accessories

CA 051 300

Teppan Yaki plate made of multi ply material
For flex induction cooktop.

CA 052 300

Griddle plate in cast aluminium
Non-stick.
For flex induction cooktop.

CA 230 100

Black magnetic knob for induction cooktop 200 series

Stainless steel knob with black coating.

GP 900 001

Stainless steel frying sensor pan
Non-stick coating, ø 15 cm.

GP 900 002

Stainless steel frying sensor pan
Non-stick coating, ø 19 cm.

GP 900 003

Stainless steel frying sensor pan
Non-stick coating, ø 21 cm.

GP 900 004

Stainless steel frying sensor pan
Non-stick coating, ø 28 cm.

Flex induction cooktop 200 series

CI 272

- Sturdy stainless steel frame
- Flex function for combining the rectangular cooking areas
- Free positioning of cookware inside combined cooking areas with automatic extension up to 30 cm width
- Professional cooking function for splitting the cooktop into predefined heat areas
- Frying sensor function for temperature control in pans
- Twist-Pad control with removable magnetic knob
- Easy control of all functions with bicoloured display

Cooking zones

2 flex induction cooking areas 22,5x19 cm (2200 W, with booster 3700 W), linked together 22,5x38 cm (3300 W, with booster 3700 W), with automatic extension up to 30x30 cm (3300 W, with booster 3700 W).

2 flex induction cooking areas 22,5x19 cm (2200 W, with booster 3700 W), linked together 22,5x38 cm (3300 W, with booster 3700 W), with automatic extension up to 30x30 cm (3300 W, with booster 3700 W).

Handling

Twist-Pad control with removable magnetic knob.

User friendly control with bicoloured display (white / orange).

Cooking zone and cooking area marking.
Electronic power control in 17 output levels.

Features

Flex function for rectangular cooking areas.
Professional cooking function.
Frying sensor function.
Booster function for pots.
Booster function for pans.
Keep warm function.
Stopwatch.
Cooking timer for up to 99 minutes.
Short-term timer.
Options menu.
Power management.
Cooktop-based ventilation control (with suitable hood).

Home network integration for digital services (Home Connect) wireless via WiFi.

The use of the Home Connect functionality depends on the Home Connect services, which are not available in every country. For further information please check: home-connect.com.

Please read additional information on Home Connect on page 345.

Safety

Main switch.
Operation indicator.
Pot detection.
2-stage residual heat indication.
Child lock.
Safety shut-off.

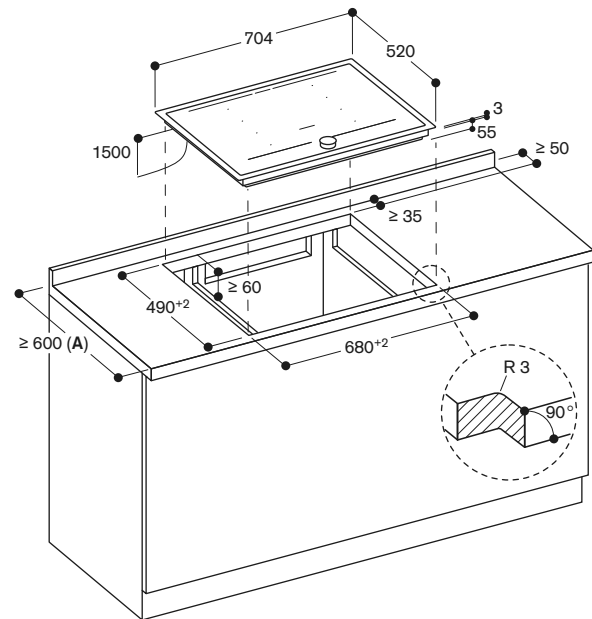
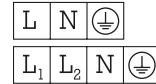
Planning notes

Installation is possible in worktops made of stone, synthetics or solid wood. Heat resistance and watertight sealing of the cut edges must be observed. Concerning other materials please consult the worktop manufacturer. Operates with magnetic (induction) iron pots and pans only. For an optimal heat distribution, the use of sandwich bottom cookware is recommended. The wok pan WP 400 001 cannot be used with this appliance. Appliance must be fixed from underneath. Appliance weight: approx. 17 kg.

Please read the installation details regarding air ducting on page 172.

Connection

Total connected load 7.4 kW.
Connecting cable 1.5 m without plug.
Power consumption standby/display off 0.5 W.
Power consumption standby/network 2.0 W.
Please check the user manual for how to switch off the WiFi module.



A: Please check the installation manual in case the worktop depth is below 600 mm.

measurements in mm



CI 262 105
Frameless
Width 60 cm

Special accessories

CA 051 300

Teppan Yaki plate made of multi ply material

For flex induction cooktop.

CA 052 300

Griddle plate in cast aluminium

Non-stick.

For flex induction cooktop.

CA 230 100

Black magnetic knob for induction cooktop 200 series

Stainless steel knob with black coating.

GP 900 001

Stainless steel frying sensor pan

Non-stick coating, ø 15 cm.

GP 900 002

Stainless steel frying sensor pan

Non-stick coating, ø 19 cm.

GP 900 003

Stainless steel frying sensor pan

Non-stick coating, ø 21 cm.

GP 900 004

Stainless steel frying sensor pan

Non-stick coating, ø 28 cm.

Flex induction cooktop 200 series

CI 262

- Frameless for flush mounting
- Flex function for combining the rectangular cooking areas
- Free positioning of cookware inside combined cooking areas with automatic extension up to 30 cm width
- Professional cooking function for splitting the cooktop into predefined heat areas
- Frying sensor function for temperature control in pans
- Twist-Pad control with removable magnetic knob
- Easy control of all functions with bicoloured display

Cooking zones

2 flex induction cooking areas 23x19 cm (2200 W, with booster 3700 W), linked together 23x38 cm (3300 W, with booster 3700 W), with automatic extension up to 30x30 cm (3300 W, with booster 3700 W).

2 flex induction cooking areas 23x19 cm (2200 W, with booster 3700 W), linked together 23x38 cm (3300 W, with booster 3700 W), with automatic extension up to 30x30 cm (3300 W, with booster 3700 W).

Handling

Twist-Pad control with removable magnetic knob.

User friendly control with bicoloured display (white / orange).

Cooking zone and cooking area marking. Electronic power control in 17 output levels.

Features

Flex function for rectangular cooking areas.
Professional cooking function.
Frying sensor function.
Booster function for pots.
Booster function for pans.
Keep warm function.
Stopwatch.
Cooking timer for up to 99 minutes.
Short-term timer.
Options menu.
Power management.
Cooktop-based ventilation control (with suitable hood).

Home network integration for digital services (Home Connect) wireless via WiFi.

The use of the Home Connect functionality depends on the Home Connect services, which are not available in every country. For further information please check: home-connect.com.

Please read additional information on Home Connect on page 345.

Safety

Main switch.
Operation indicator.
Pot detection.
2-stage residual heat indication.
Child lock.
Safety shut-off.

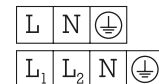
Planning notes

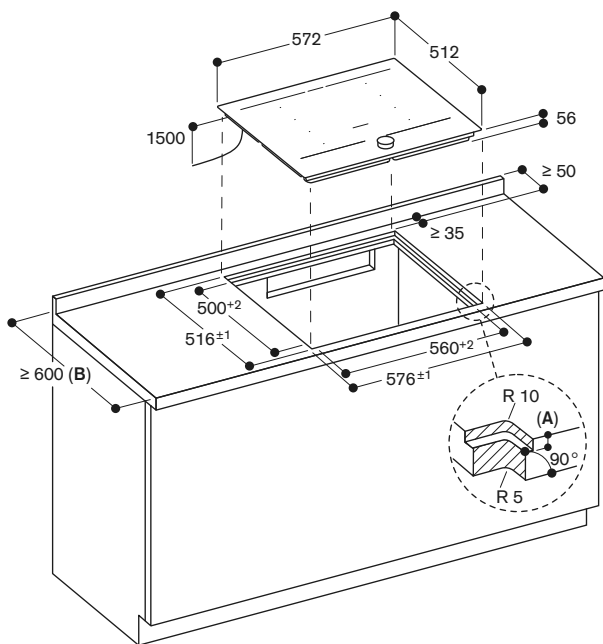
Installation is possible in worktops made of stone, synthetics or solid wood. Heat resistance and watertight sealing of the cut edges must be observed. Concerning other materials please consult the worktop manufacturer. The groove must be continuous and even, so that uniform placing of the appliance on the gasket is ensured. Do not use discontinuous lining. The joint width may vary due to size tolerances of the combinations and of the worktop cut-out. Operates with magnetic (induction) iron pots and pans only. For an optimal heat distribution, the use of sandwich bottom cookware is recommended. The wok pan WP 400 001 cannot be used with this appliance. Appliance must be fixed from underneath. Appliance weight: approx. 16 kg.

Please read the installation details regarding air ducting on page 172.

Connection

Total connected load 7.4 kW.
Connecting cable 1.5 m without plug.
Power consumption standby/display off 0.5 W.
Power consumption standby/network 2.0 W.
Please check the user manual for how to switch off the WiFi module.

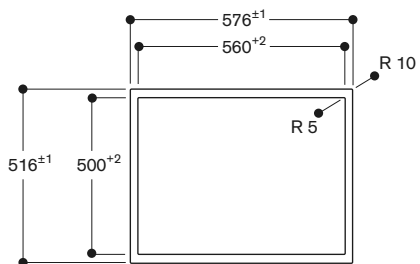




A: $6.5^{+0.5}$
 B: Please check the installation manual in case the worktop depth is below 600 mm.

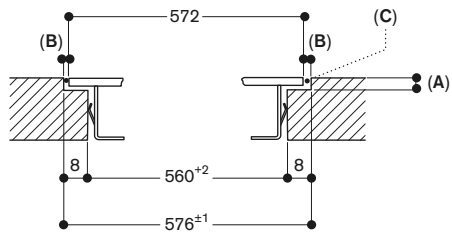
measurements in mm

View from above



measurements in mm

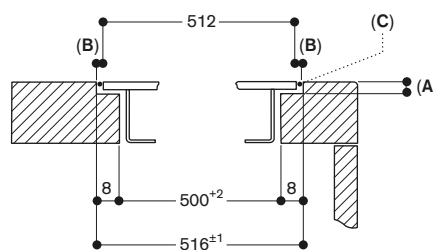
Longitudinal section



A: $6.5^{+0.5}$
 B: 2.5
 C: Fill with silicone

measurements in mm

Cross-section



A: $6.5^{+0.5}$
 B: 2.5
 C: Fill with silicone

measurements in mm



CI 262 115

Stainless steel frame
Width 60 cm

Special accessories

CA 051 300

Teppan Yaki plate made of multi ply material

For flex induction cooktop.

CA 052 300

Griddle plate in cast aluminium
Non-stick.

For flex induction cooktop.

CA 230 100

Black magnetic knob for induction cooktop 200 series

Stainless steel knob with black coating.

GP 900 001

Stainless steel frying sensor pan
Non-stick coating, ø 15 cm.

GP 900 002

Stainless steel frying sensor pan
Non-stick coating, ø 19 cm.

GP 900 003

Stainless steel frying sensor pan
Non-stick coating, ø 21 cm.

GP 900 004

Stainless steel frying sensor pan
Non-stick coating, ø 28 cm.

Flex induction cooktop 200 series

CI 262

- Sturdy stainless steel frame
- Flex function for combining the rectangular cooking areas
- Free positioning of cookware inside combined cooking areas with automatic extension up to 30 cm width
- Professional cooking function for splitting the cooktop into predefined heat areas
- Frying sensor function for temperature control in pans
- Twist-Pad control with removable magnetic knob
- Easy control of all functions with bicoloured display

Cooking zones

2 flex induction cooking areas 22,5x19 cm (2200 W, with booster 3700 W), linked together 22,5x38 cm (3300 W, with booster 3700 W), with automatic extension up to 30x30 cm (3300 W, with booster 3700 W).

2 flex induction cooking areas 22,5x19 cm (2200 W, with booster 3700 W), linked together 22,5x38 cm (3300 W, with booster 3700 W), with automatic extension up to 30x30 cm (3300 W, with booster 3700 W).

Handling

Twist-Pad control with removable magnetic knob.

User friendly control with bicoloured display (white / orange).

Cooking zone and cooking area marking. Electronic power control in 17 output levels.

Features

Flex function for rectangular cooking areas.
Professional cooking function.
Frying sensor function.
Booster function for pots.
Booster function for pans.
Keep warm function.
Stopwatch.
Cooking timer for up to 99 minutes.
Short-term timer.
Options menu.
Power management.
Cooktop-based ventilation control (with suitable hood).

Home network integration for digital services (Home Connect) wireless via WiFi.

The use of the Home Connect functionality depends on the Home Connect services, which are not available in every country. For further information please check: home-connect.com.

Please read additional information on Home Connect on page 345.

Safety

Main switch.
Operation indicator.
Pot detection.
2-stage residual heat indication.
Child lock.
Safety shut-off.

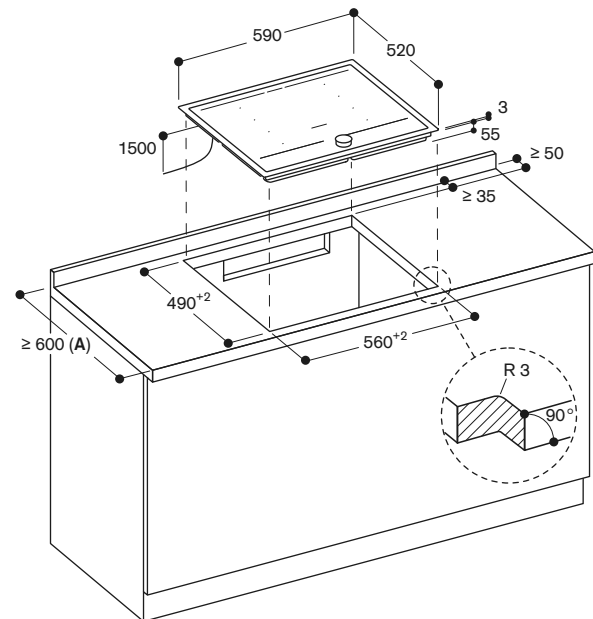
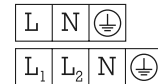
Planning notes

Installation is possible in worktops made of stone, synthetics or solid wood. Heat resistance and watertight sealing of the cut edges must be observed. Concerning other materials please consult the worktop manufacturer. Operates with magnetic (induction) iron pots and pans only. For an optimal heat distribution, the use of sandwich bottom cookware is recommended. The wok pan WP 400001 cannot be used with this appliance. Appliance must be fixed from underneath. Appliance weight: approx. 16 kg.

Please read the installation details regarding air ducting on page 172.

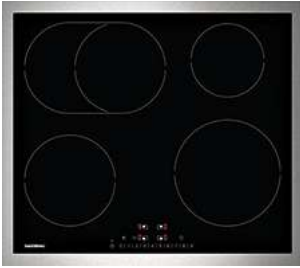
Connection

Total connected load 7.4 kW.
Connecting cable 1.5 m without plug.
Power consumption standby/display off 0.5 W.
Power consumption standby/network 2.0 W.
Please check the user manual for how to switch off the WiFi module.



A: Please check the installation manual in case the worktop depth is below 600 mm.

measurements in mm



CI 261 114
Stainless steel frame
Width 60 cm

Induction cooktop 200 series

CI 261

- Sturdy stainless steel frame
- Oval roasting zone switches on automatically
- Sensor control with direct selection of output level

Cooking zones

1 induction cooking zone \varnothing 18 cm (1800 W, with booster 3100 W), automatically switches to a 28x18 cm roasting zone (2000 W, with booster 3700 W).

1 induction cooking zone \varnothing 21 cm (2200 W, with booster 3700 W).

1 induction cooking zone \varnothing 18 cm (1800 W, with booster 3100 W).

1 induction cooking zone \varnothing 15 cm (1400 W, with booster 2200 W).

Handling

Sensor control with direct selection of output level.

Cooking zone marking.

Electronic power control in 17 output levels.

Features

Booster function for each cooking zone.

Cooking timer for up to 99 minutes.

Short-term timer.

Options menu.

Power management.

Safety

Main switch.

Operation indicator.

Pot detection.

2-stage residual heat indication.

Child lock.

Safety shut-off.

Planning notes

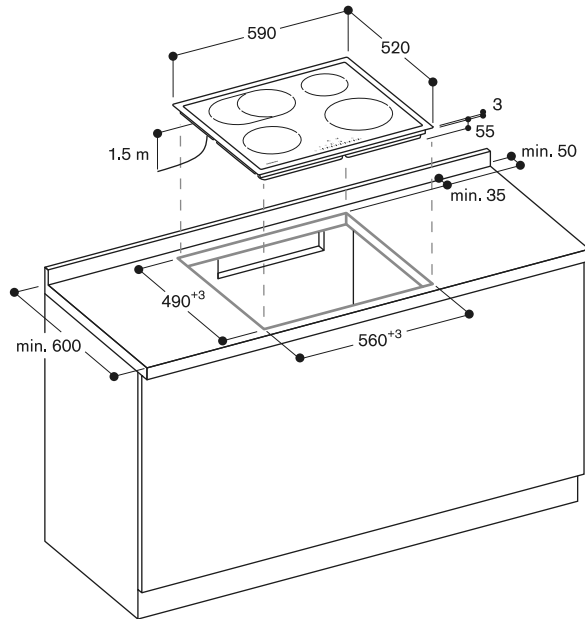
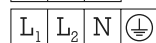
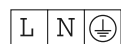
Installation is possible in worktops made of stone, synthetics or solid wood. Heat resistance and watertight sealing of the cut edges must be observed. Concerning other materials please consult the worktop manufacturer. Operates with magnetic (induction) iron pots and pans only. For an optimal heat distribution, the use of sandwich bottom cookware is recommended. The wok pan WP 400 001 cannot be used with this appliance. Appliance must be fixed from underneath. Appliance weight: approx. 14 kg.

Please read the installation details regarding air ducting on page 172.

Connection

Total connected load 7.4 kW.

Connecting cable 1.5 m without plug.



Installation notes for induction cooktops and glass ceramic

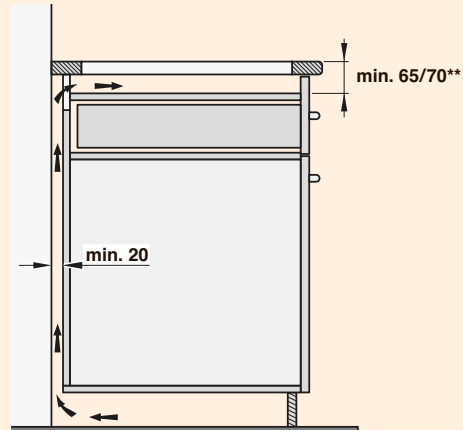
Applies to CI 26./27./28./29., CX 492/482, VI 414/422/462/482/492, VI 232/242/262 and CE 261/291.

Intake air ducting

Induction cooktops have a cooling fan to protect the appliance's electronics from overheating. In the case of insufficient air circulation in the cabinet, the appliance's output will be reduced to prevent electronic damage.

A Air duct behind a cabinet or built-in oven

An open cross-section of a minimum of 20 mm is needed across the full width and full height of the cabinet. Cabinets with a closed bottom also need a respective cross-section in the air duct area.

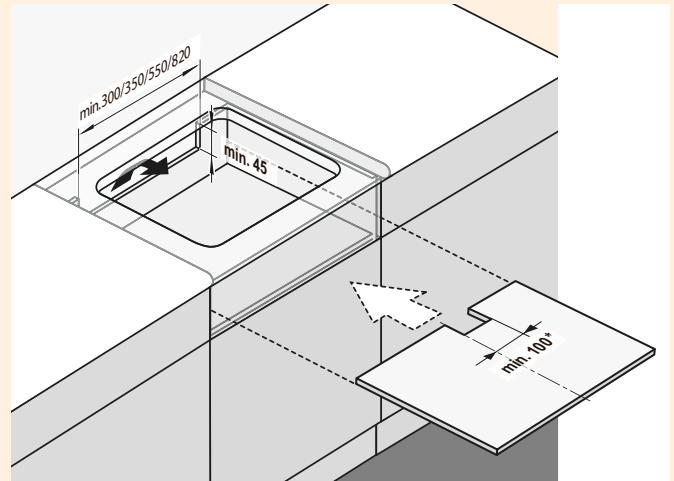


B Intake through the cabinet's back wall

In the cabinet's back wall, plan a recess of at least 45 mm in height from the worktop's bottom edge.

The minimum width is

- 300 mm for a 30 cm induction cooktop
- 350 mm for a 40 cm induction cooktop
- 550 mm for a Vario cooktop or a 60 cm to 80 cm induction cooktop
- 820 mm for a 90 cm induction cooktop



Intermediate shelf

To prevent the content of drawers underneath the cooktop from heating up, the use of an intermediate shelf is required for glass ceramic cooktops. Width of cut-out at least

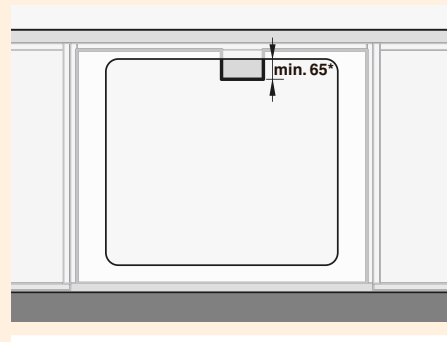
- 100 mm for a 60 to 80 cm induction cooktop

* does not apply to 90 cm cooktops

** min. 65 mm for cooktops with frame as well as

VI 462/482/492 for surface mounting and min. 70 mm for cooktops without frame, for CX 482/492 with frame as well as for VI 462/482/492 for flush mounting.

For CX 482/492 without frame 80 mm



Combination with other appliances

Installation above dishwasher or washing machine is not permitted.

Combination with AL 400

In addition to the measures mentioned above, the following unobstructed cross sections must be planned between the cabinet and the AL 400 to allow for proper intake and exhaust air circulation for the induction cooktop.

A In front of the air duct

20 mm distance between the back side of drawers, an oven or the cabinet's interior wall.

B Adjacent to the air duct

The resulting gap between the air duct and the cabinet's side wall needs to remain open.

C At the housing's rear edge

The resulting cross section between the housing and the wall, as well as between the housing and the floor, must remain open.



CE 291 101

Frameless
Width 90 cm

Included in the price

1 glass scraper

Special accessories

GP 900 003

Stainless steel frying sensor pan
Non-stick coating, ø 21 cm.

Glass ceramic cooktop 200 series

CE 291

- Frameless for flush mounting
- Frying sensor function
- Three-ring cooking zone up to 27 cm
- Large roasting zone
- Sensor control with direct selection of output level

Cooking zones

2 Super-Quick cooking zones ø 18 cm (1800 W); together they convert to 18x41.5 cm (4400 W) roasting zone.
1 Super-Quick cooking zone ø 12 cm (750 W), converts to ø 21 cm (2100 W, with booster 2600 W) cooking zone.
1 Super-Quick cooking zone ø 14.5 cm (1050 W), converts to ø 21 cm (2200 W) or ø 27 cm (3080 W) cooking zone.
1 Super-Quick cooking zone ø 14.5 cm (1200 W, with booster 1600 W).

Handling

Sensor control with direct selection of output level.
Cooking zone marking.
Electronic power control in 17 output levels.

Features

Frying sensor function for ø 21 cm cooking zone.
Booster function.
Cooking timer for up to 99 minutes.
Short-term timer.
Options menu.

Safety

Main switch.
Operation indicator.
2-stage residual heat indication.
Child lock.
Safety shut-off.

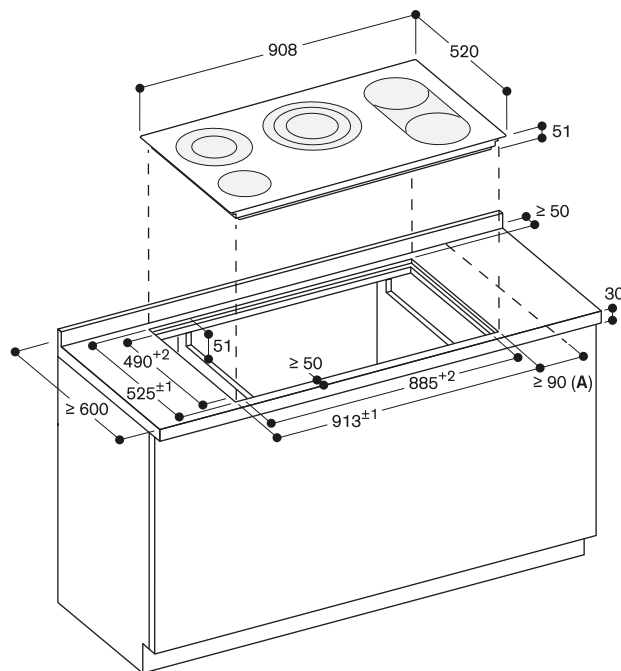
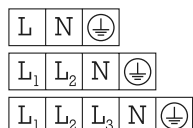
Planning notes

Immersion depth 51 mm, depth at plug socket 51 mm.
The cooktop must not be installed lower than the top edge of the worktop.
Under the plug socket, a 10 mm clearance must be observed from side panels or from intermediate shelf.
The cooktop must be freely accessible from underneath to be able to detach the cooktop's base in a downward direction.
Installation possible in a 60 cm wide lower cabinet.
Appliance must be fixed from underneath.
Cooktop clamping range: 20 – 50 mm.
Joint width may vary due to dimensional tolerances of the glass ceramic cooktop and the worktop cut-out.
Appliance weight: approx. 13 kg.

Please read the installation details regarding air ducting on page 172.

Connection

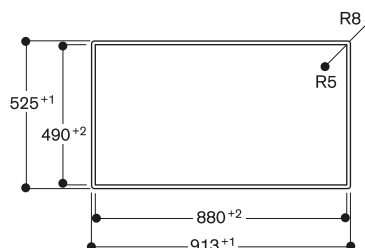
Total connected load 11.0 kW.
Plan a connection cable.



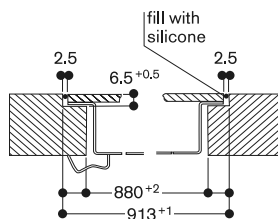
A: Minimum distance from the hob cut-out to the wall.

measurements in mm

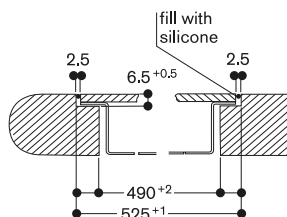
View from above



Longitudinal section



Cross section





CE 291 111

Stainless steel frame
Width 90 cm

Included in the price

1 glass scraper

Special accessories

GP 900 003

Stainless steel frying sensor pan
Non-stick coating, ø 21 cm.

Glass ceramic cooktop 200 series

CE 291

- Sturdy stainless steel frame
- Frying sensor function
- Three-ring cooking zone up to 27 cm
- Large roasting zone
- Sensor control with direct selection of output level

Cooking zones

2 Super-Quick cooking zones ø 18 cm (1800 W); together they convert to 18x41.5 cm (4400 W) roasting zone.
1 Super-Quick cooking zone ø 12 cm (750 W), converts to ø 21 cm (2100 W, with booster 2600 W) cooking zone.
1 Super-Quick cooking zone ø 14.5 cm (1050 W), converts to ø 21 cm (2200 W) or ø 27 cm (3080 W) cooking zone.
1 Super-Quick cooking zone ø 14.5 cm (1200 W, with booster 1600 W).

Handling

Sensor control with direct selection of output level.
Cooking zone marking.
Electronic power control in 17 output levels.

Features

Frying sensor function for ø 21 cm cooking zone.
Booster function.
Cooking timer for up to 99 minutes.
Short-term timer.
Options menu.

Safety

Main switch.
Operation indicator.
2-stage residual heat indication.
Child lock.
Safety shut-off.

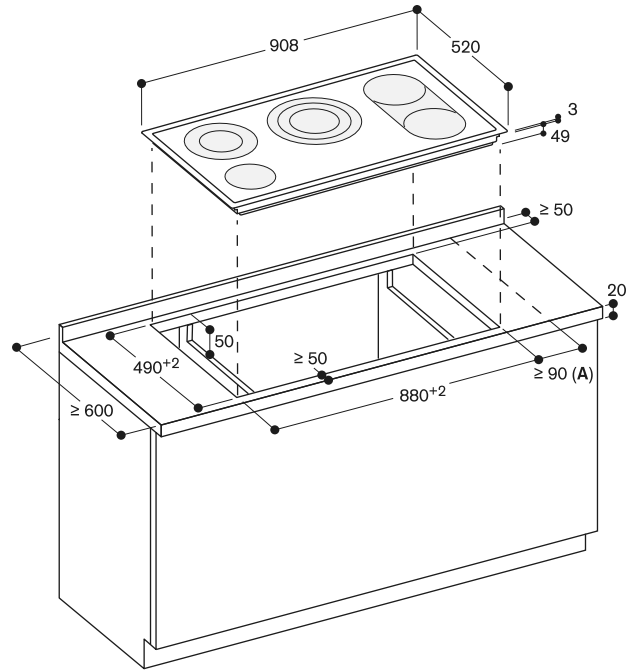
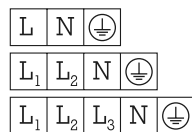
Planning notes

Immersion depth 49 mm, depth at plug socket 50 mm.
Under the plug socket, a 10 mm clearance must be observed from side panels or from intermediate shelf.
The cooktop must be freely accessible from underneath to be able to detach the cooktop's base in a downward direction.
Installation possible in a 60 cm wide lower cabinet.
Appliance must be fixed from underneath.
Cooktop clamping range: 20 – 50 mm.
Appliance weight: approx. 13 kg.

Please read the installation details regarding air ducting on page 172.

Connection

Total connected load 11.0 kW.
Plan a connection cable.



A: Minimum distance from the hob cut-out to the wall.

measurements in mm



CE 261 114

Stainless steel frame
Width 60 cm

Included in the price

1 glass scraper

Glass ceramic cooktop 200 series

CE 261

- Sturdy stainless steel frame
- Sensor control with direct selection of output level

Cooking zones

1 Super-Quick cooking zone \varnothing 17 cm (1800 W), switches to 17 x 26,5 cm (2600 W) roasting zone.
 1 Super-Quick cooking zone \varnothing 14.5 cm (1200 W), converts to \varnothing 21 cm (2100 W, with booster function 3000 W) cooking zone.
 1 Super-Quick cooking zone \varnothing 18 cm (2000 W).
 1 Super-Quick cooking zone \varnothing 14.5 cm (1200 W).

Handling

Sensor control with direct selection of output level.
 Cooking zone marking.
 Electronic power control in 17 output levels.

Features

Booster function.
 Cooking timer for up to 99 minutes.
 Short-term timer.
 Options menu.

Safety

Main switch.
 Operation indicator.
 2-stage residual heat indication.
 Child lock.
 Safety shut-off.

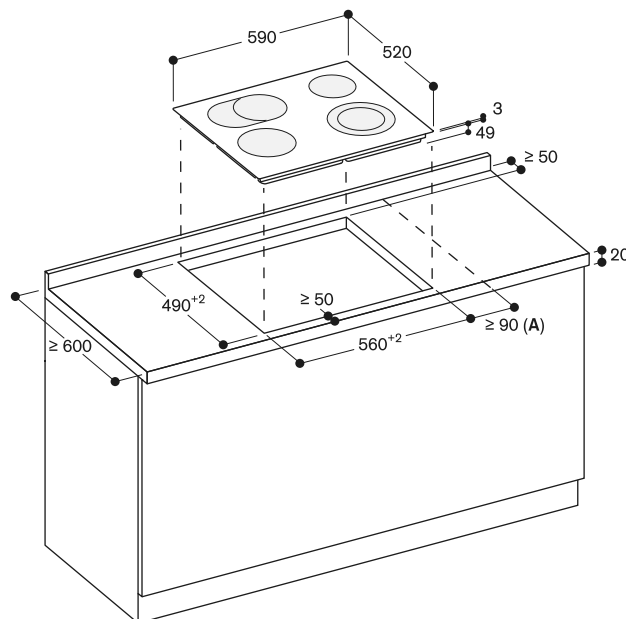
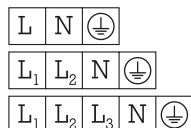
Planning notes

Immersion depth 49 mm, depth at plug socket 50 mm.
 Under the plug socket, a 10 mm clearance must be observed from side panels or from intermediate shelf.
 The cooktop must be freely accessible from underneath to be able to detach the cooktop's base in a downward direction.
 Installation possible in a 60 cm wide lower cabinet.
 Appliance must be fixed from underneath.
 Cooktop clamping range: 20 – 50 mm.
 Appliance weight: approx. 8 kg.

Please read the installation details regarding air ducting on page 172.

Connection

Total connected load 8.3 kW.
 Plan a connection cable.



A: Minimum distance from the hob cut-out to the wall.

measurements in mm

Accessories and special accessories for cooktops

GN 232 110

Teppan Yaki plate made of multi ply material,
GN 1/1
For full surface induction cooktop.



CA 051 300

Teppan Yaki plate made of multi ply material
For flex induction cooktops.



CA 052 300

Giddle plate in cast aluminium
Non-stick.
For flex induction cooktops.



GP 900 001

Stainless steel frying sensor pan
Non-stick coating, ø 15 cm.



GP 900 002

Stainless steel frying sensor pan
Non-stick coating, ø 19 cm.



GP 900 003

Stainless steel frying sensor pan
Non-stick coating, ø 21 cm.



GP 900 004

Stainless steel frying sensor pan
Non-stick coating, ø 28 cm.



WP 400 001

Wok pan made of multiple-layer material
With round bottom and handle,
ø 36 cm, 6 litres, height 10 cm.



WZ 400 000

Wok attachment for wok pan



CA 060 300

Cooking sensor for temperature regulation within pots.



CA 230 100

Black magnetic knob for induction cooktop 200 series.
Stainless steel knob with black coating.



CA 429 410

Frame set including decorative frame (to be welded in) and holding frame



VA 420 004

Connection strip for combination with other Vario appliances of the 400 series for flush mounting



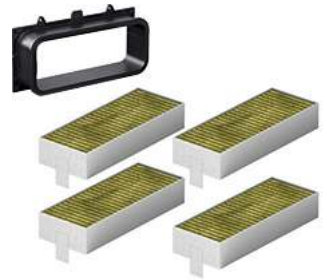
VA 420 010

Connection strip for combination with other Vario appliances of the 400 series for surface mounting



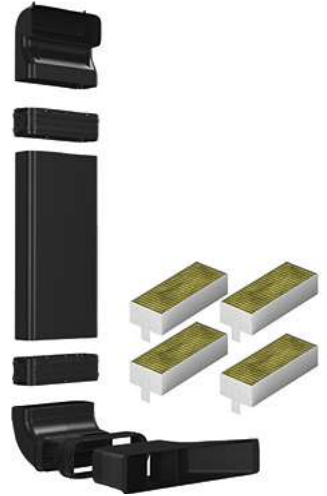
CA 082 011

Kit unducted air recirculation for CV 282 / CV 492 consists of 4 activated charcoal filters with highly efficient odour reduction and allergen deactivation and telescopic connector



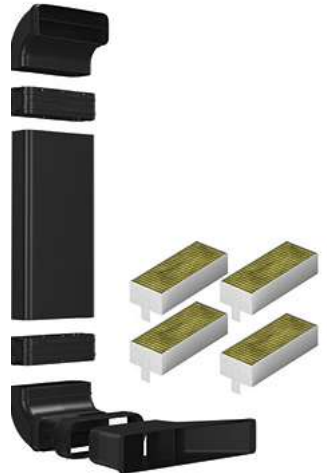
CA 082 061

Kit ducted air recirculation, 60 cm worktop depth for CV 282 / CV 492 consists of 4 activated charcoal filters with highly efficient odour reduction and allergen deactivation, extra short flat duct bend, flat duct, flat duct bend, flat duct connecting pieces and diffusor



CA 082 071

Kit ducted air recirculation, 70 cm worktop depth for CV 282 / CV 492 consists of 4 activated charcoal filters with highly efficient odour reduction and allergen deactivation, flat duct bends, flat duct, flat duct connecting pieces and diffusor



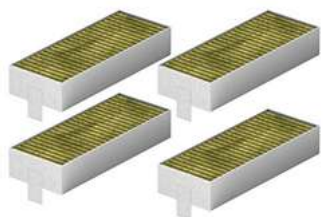
CA 084 010

4 acoustic filters for air extraction mode
for CV 282 / CV 492



CA 282 121

4 recirculation replenishment filters
for CV 282 / CV 492



AD 857 033

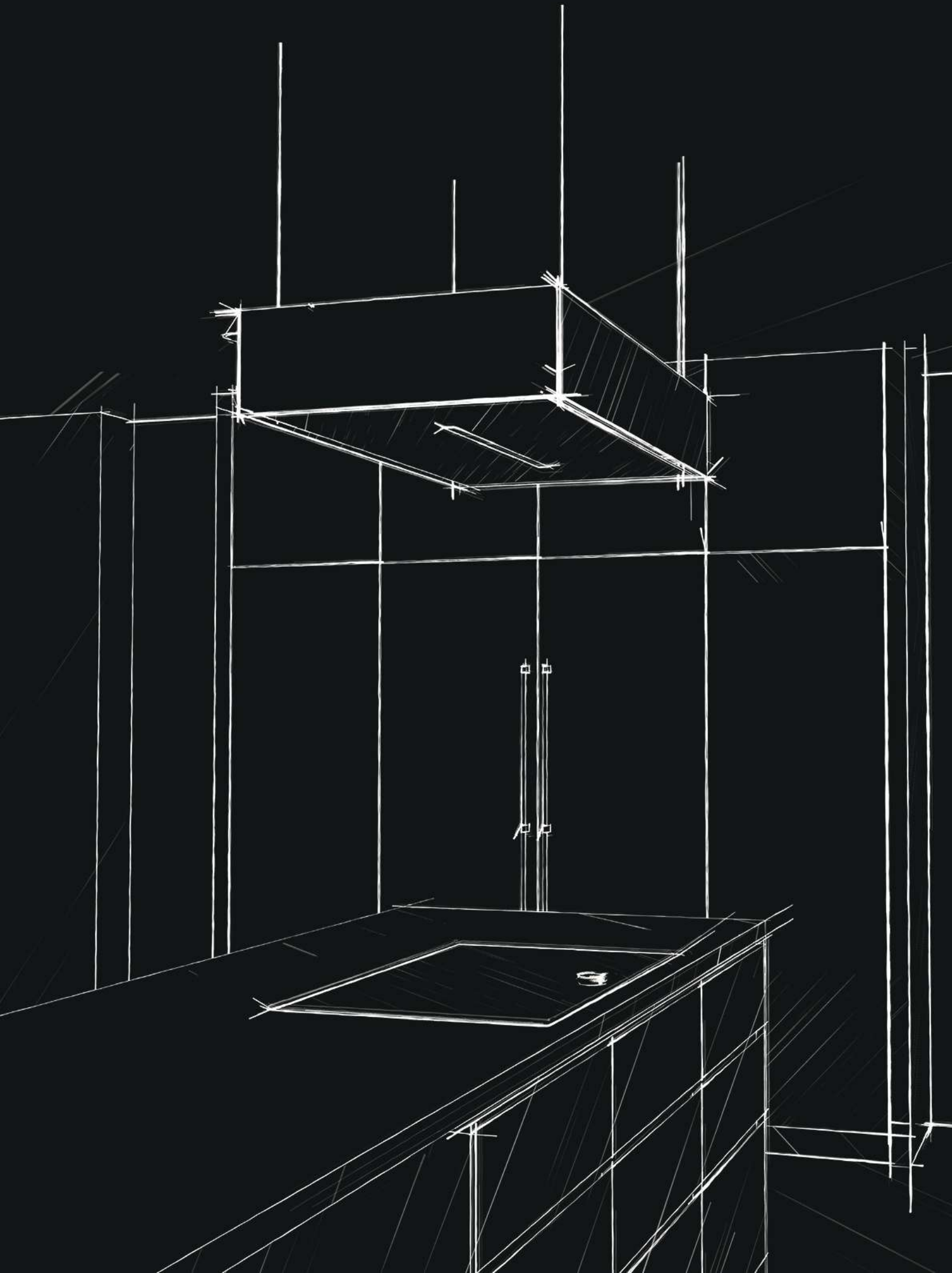
Short flat duct bend 90° for
installation of CV 282 / CV 492 in
65 cm deep worktops for exhaust and
ducted recirculation.



AD 857 034

Extra short flat duct bend 90° for
installation of CV 282 / CV 492 in
60 cm deep worktops for exhaust and
ducted recirculation.





The extractors

Ceiling ventilation 400 series	180
Table ventilations 400 series	184
Downdraft ventilation 400 series	190
Island hoods 400 series	196
Wall-mounted hoods 400 series	197
Remote fan units	200
Checklist for ventilation 400 and 200 series	206
Planning notes	208
Ceiling ventilation 200 series	210
Table ventilation 200 series	214
Downdraft ventilations 200 series	224
Island hoods 200 series	230
Wall-mounted hoods 200 series	232
Flat kitchen hoods 200 series	236
Canopy extractors 200 series	238
Accessories special accessories	240



AC 402 181
Stainless steel
Filter module
Air extraction / Air recirculation
Motorless



Installation accessories

AD 754 048
Air collector box DN 150 round pipe
Metal zinc plated
2 x DN 150 round duct air intake.
1 x DN 150 cylindrical duct air outlet.

AD 854 048
Air collector box DN 150 flat duct
Metal zinc plated with plastic
2 x DN 150 flat duct air intake.
1 x DN 150 flat duct air outlet.

Special accessories

AA 010 811
Air recirculation module inclusive
1 activated charcoal filter.
For air recirculation.
Stainless steel.

AA 012 811
Air recirculation module inclusive
1 activated charcoal filter.
For air recirculation.
White.

AA 200 110
1 activated charcoal filter
For air recirculation module
AA 200 812/816 and AA 010 811/
AA 012 811.

AA 200 112
1 regenerable activated charcoal filter
For air recirculation module
AA 200 812/816 and AA 010 811/
AA 012 811.

Installation accessories for air ducting
you will find at the pages 245 – 251.

Vario ceiling ventilation 400 series
AC 402

- Discreet integration into the architecture of the kitchen
- Flexible by dimension, performance and ventilation mode
- Room ventilation
- Modular ceiling ventilation which can be configured individually by separate components such as filter module, control modules and light module
- Motorless, can be combined with Gaggenau BLDC remote fan units
- Highly efficient patented rim extraction
- Planned and easy to clean underside with covered filters

Output

Noise level depends on the built-in situation.
Power levels depend on the remote fan unit.
Refer to the "Technical specifications" of the hood for the matching remote fan units for air recirculation or air extraction mode.

Features

Rim extraction filter, dishwasher-safe.
Installation frame for thread rods (threaded rods included in delivery).
Connecting pipe DN 150 round.

Consumption data

Consumption data is referred to a configuration with the remote fan unit AR 400 142.
Energy efficiency class B at a range of energy efficiency classes from A+++ to D.
Energy consumption 60.6 kWh/year.
Ventilation efficiency class A.
Illumination efficiency class E.
Grease filter efficiency class B.
Sound level min. 50 dB / max. 65 dB normal mode.

Planning notes

The ceiling ventilation has to be handled as a room ventilation when distance to cooktop is larger than 120 cm since the direct capture of vapours will be limited. The needed airflow is given by an air exchange rate of 10 to 12 times the room volume.
For air recirculation an external air recirculation module is required.
Max. 3 filter modules to be connected to remote fan unit AR 400 142.
When installing remote fan unit within the ceiling or furniture block it must remain accessible through the ceiling cutout or another maintenance access.
Please ensure when installing the exhaust air ducting that no sharp bends are caused and that the cross-section of the ducting is not constricted in any way.
When installing a ventilation hood with air extraction mode and a chimney-vented fireplace, the hood's power supply line needs a suitable safety switch.

Please read additional planning notes on page 182 – 183.



AC 482 181
Stainless steel
Control module with light

Vario ceiling ventilation 400 series
AC 482

- Control module of ceiling ventilation with light
- Individual integration of light elements into the configuration of the ceiling ventilation

Output

Power levels depend on the remote fan unit.
Refer to the "Technical specifications" of the hood for the matching remote fan units for air recirculation or air extraction.

Features

7-key infrared remote control, backup keys for operation also on the control module.
3 electronically controlled power levels and 1 intensive mode.
Interval ventilation, 6 min.
Run-on function, 6 min.
Grease filter saturation indicator.

Planning notes

Connection to the respective appliances via network cable.
When installing a ventilation hood with air extraction mode and a chimney-vented fireplace, the power supply line of the ventilation appliance needs a suitable safety switch.
Fixing at the filter module.

Please read additional planning notes on page 182 – 183.

Connection

Total connected load 355 – 1160 W.
Connecting cable 1.75 m, pluggable.

*Energy efficiency class: at a range of energy efficiency classes from A+++ to D.



Vario ceiling ventilation 400 series
AC 472

- Light module of ceiling ventilation
- Individual integration of light elements into the configuration of the ceiling ventilation

Features

Connection to the respective appliances via network cable.

Planning notes

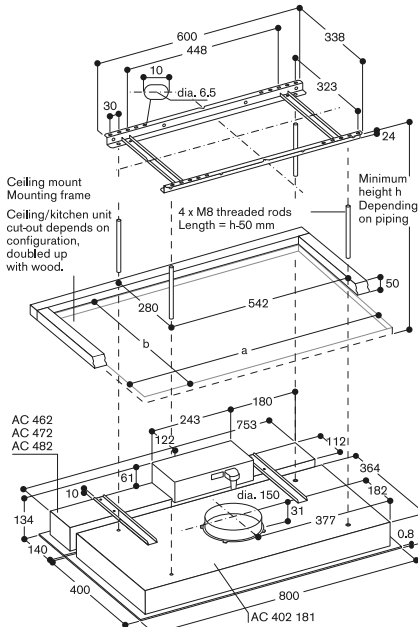
Fixing at the filter module.

Please read additional planning notes on page 224 – 225.

Connection

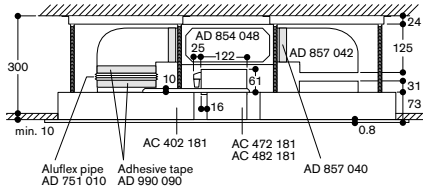
Total connected load 50 W.
Connecting cable 1.75 m, pluggable.
Network cable 2 m.

AC 472 181
Stainless steel
Light module
For completing control module with light

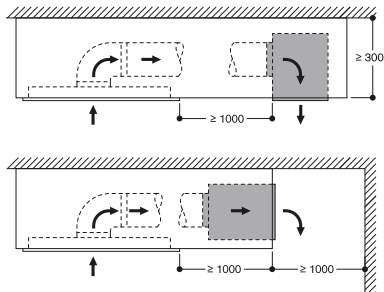


For multiple configurations:
Ceiling deflection around cut-out: max. + 3 mm.
Support is required in the middle to prevent deflection upwards when fastening the modules.
The required threaded rods, nuts and ceiling bolts are supplied as standard.

Minimum installation height including flat duct DN 150

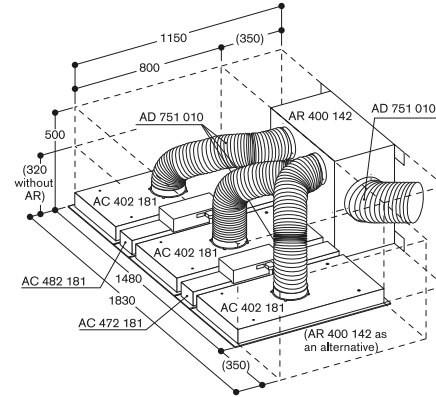


AC 402 with air recirculation module

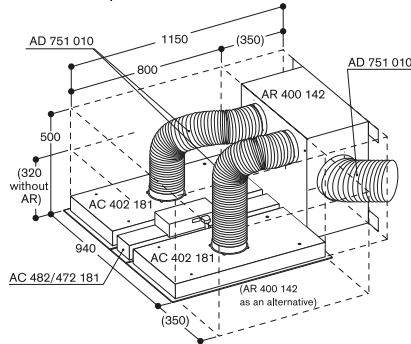


measurements in mm

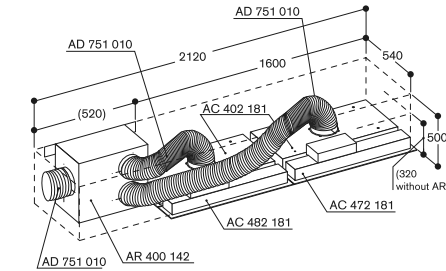
Necessary installation space F3-CL-L1



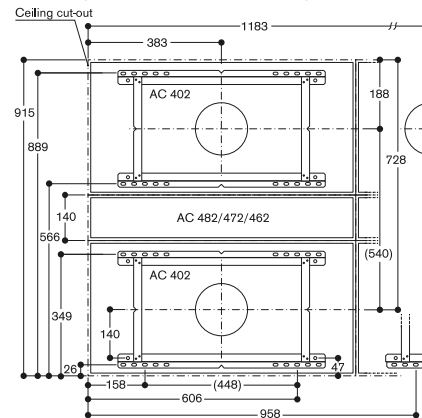
Necessary installation space F2-CL



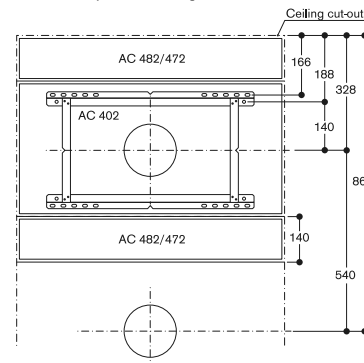
Necessary installation space FL2-CL-L1



AC 402 Ceiling fixture and position of connecting piece DN 150



AC 402 Further possible ceiling fixture



Recommended configurations for ceiling ventilation 400 series

Planning as a cooktop ventilation wall/island (W/I) up to max. 120 cm distance to the cooktop.

For larger distances planning as room ventilation (R) with air exchange rates 10 to 12 times the room volume.

The given airflow of the remote fan units will be reduced by the different ducting types between filter modules and AR 400/401/403 as well as by the further ducting. For additional ducting chose the configuration with higher airflow.

Bold print: favoured configuration

Regular print: possible configuration

Other: – Not possible due to performance or ducting reasons

Respect the positioning of the remote fan units and the run of the ducts.

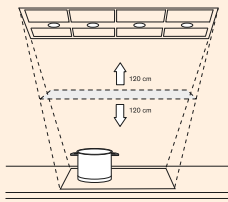
Modules of ceiling ventilation:

F = Filter module (FL = in-line configuration)

CL = Control module with light

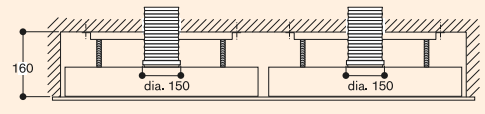
CO = Control module without light

L = Light module



**Maximal width of cooktop
Cooktop ventilation, max.
distance 120 cm:**
W = Cooktop ventilation wall
I = Cooktop ventilation
island
**Room ventilation,
distance > 120 cm**
R = Maximal width of
cooktop

Minimal construction height including installation frame	160	
Structure within ceiling/furniture element	Minimal construction height with aluflex pipe straight through the ceiling. Remote fan unit separately placed.	
Air collector box, if needed	(AD 754 048) 2 x DN 150 round duct → 1 x DN 150 round duct	
Ceiling cutout a x b (frame size) mm	Remote fan unit inside installation (unobstructed airflow fan unit alone)	Remote fan unit outside installation wall/roof (unobstructed airflow fan unit alone)



Range of remote fan units according to EN 61591: 830–910 m³/h **No air collector box necessary**

FL1-CL FL1-CO		W: 80 cm I: 60 cm, no VR, VP R: -	765 x 515 (800 x 540)	1x AR 403 122 (890 m³/h) 1x AR 400 142 (830 m³/h)	1x AR 401 142 (910 m³/h)
------------------	--	--	--------------------------	---	---------------------------------

FL1-CLL1		W: 80 cm I: 60 cm, no VR, VP R: -	765 x 660 respect direction! (800 x 680)	1x AR 403 122 (890 m³/h) 1x AR 400 142 (830 m³/h)	1x AR 401 142 (910 m³/h)
----------	--	--	--	---	---------------------------------

Range of remote fan units according to EN 61591: 830–1820 m³/h

FL2-CLL1		W: 120 cm, VR, VP centered I: 90 cm, no VR, VP R: -	1.565 x 515 (1.600 x 540)	1x AR 403 122 (890 m³/h) 1x AR 400 142 (830 m³/h) 2x AR 403 122 (1780 m³/h) 2x AR 400 142 (1660 m³/h)	1x AR 401 142 (910 m³/h) 2x AR 401 142 (1820 m³/h)
----------	--	--	------------------------------	---	--

F2-CL F2-CO		W: - I: 80 cm R: 60 cm, 10x air exchange rate, no VR, VP	915 x 765 respect direction! (940 x 800)	1x AR 403 122 (890 m³/h) 1x AR 400 142 (830 m³/h) 2x AR 403 122 (1780 m³/h) 2x AR 400 142 (1660 m³/h)	1x AR 401 142 (910 m³/h) 2x AR 401 142 (1820 m³/h)
----------------	--	--	--	---	--

F2-CLL2		W: - I: 80 cm R: 60 cm, 10x air exchange rate, no VR, VP	1.200 x 765 (1220 x 800)	1x AR 403 122 (890 m³/h) 1x AR 400 142 (830 m³/h) 2x AR 403 122 (1780 m³/h) 2x AR 400 142 (1660 m³/h)	1x AR 401 142 (910 m³/h) 2x AR 401 142 (1820 m³/h)
---------	--	--	-----------------------------	---	--

Range of remote fan units according to EN 61591: 830–1820 m³/h **2 AR: divide airflow of center modules with air collector box**

F3-CLL1		W: - I: 120 cm, VR, VP centered R: 120 cm, 10x air exchange rate, 12x with VR, VP	1.455 x 765 (1.480 x 800)	1x AR 400 142 (830 m³/h) 2x AR 403 122 (1780 m³/h) 2x AR 400 142 (1660 m³/h)	2x AR 401 142 (1820 m³/h)
---------	--	--	------------------------------	---	----------------------------------

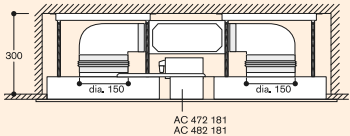
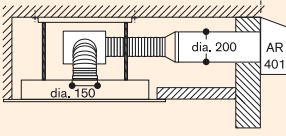
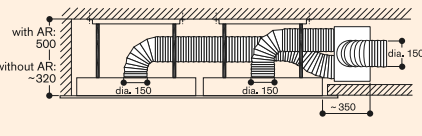
Range of remote fan units according to EN 61591: 1660–1820 m³/h

F4-CO		W: - I: 120 cm, VR, VP centered R: 120 cm, 10x air exchange rate 12x with VR, VP	1.715 x 765 (1.740 x 800)	2x AR 403 122 (1780 m³/h) 2x AR 400 142 (1660 m³/h)	2x AR 401 142 (1820 m³/h)
-------	--	---	------------------------------	---	----------------------------------

FL4-CLL1		W: - I: 120 cm, VR, VP centered R: 120 cm, 10x air exchange rate, 12x with VR, VP	2 cutouts 765 x 915 with 35 mm distance Total cutout 1.565 x 915 with division bar. (1.600 x 940)	2x AR 403 122 (1780 m³/h) 2x AR 400 142 (1660 m³/h)	2x AR 401 142 (1820 m³/h)
----------	--	--	---	---	----------------------------------

F4-CLL2		W: - I: 160 cm, VR, VP centered R: 160 cm, 10x air exchange rate, 12x with VR, VP	1.995 x 765 (2.020 x 800)	2x AR 403 122 (1780 m³/h) 2x AR 400 142 (1660 m³/h)	2x AR 401 142 (1820 m³/h)
---------	--	--	------------------------------	---	----------------------------------

¹ Do not use air collector boxes.
Pipe connection piece with 3x DN 150 directly to AR 400 142.

300	with/without AR 400: 350	without AR 400: 320 incl. AR 400 vertically placed: 500	
 <p>Remote fan unit AR 400 horizontally placed with air collector box in the ceiling. 2 AR 400 placed opposite of each other (AD 854 048) 2 x DN 150 flat duct → 1 DN 150 flat duct</p>	 <p>AR 400 horizontally or AR 401 separately placed. Aluflex pipe DN 150/200 2 AR 400 placed opposite of each other (AD 754 048) 2 x DN 150 round duct → 1 x DN 200 round duct</p>	 <p>Easiest ducting with aluflex pipe DN 150 AR 400 placed vertically or separately.</p>	
<p>Remote fan unit inside installation (unobstructed airflow fan unit alone)</p> <p>Remote fan unit outside installation wall/roof (unobstructed airflow fan unit alone)</p>	<p>Remote fan unit inside installation (unobstructed airflow fan unit alone)</p> <p>Remote fan unit outside installation wall/roof (unobstructed airflow fan unit alone)</p>	<p>Remote fan unit inside installation (unobstructed airflow fan unit alone)</p> <p>Remote fan unit outside installation wall/roof (unobstructed airflow fan unit alone)</p>	
No air collector box necessary		No air collector box necessary	
<p>1x AR 403 122 (890 m³/h) 1x AR 400 142 (830 m³/h)</p>	<p>1x AR 403 122 (890 m³/h) 1x AR 400 142 (830 m³/h)</p>	<p>1x AR 401 142 (910 m³/h)</p>	
<p>1x AR 403 122 (890 m³/h) 1x AR 400 142 (830 m³/h)</p>	<p>1x AR 403 122 (890 m³/h) 1x AR 400 142 (830 m³/h)</p>	<p>1x AR 401 142 (910 m³/h)</p>	
<p>1x AR 403 122 (890 m³/h) 1x AR 400 142 (830 m³/h) 2x AR 403 122 (1780 m³/h) 2x AR 400 142 (1660 m³/h)</p>	<p>1x AR 403 122 (890 m³/h) 1x AR 400 142 (830 m³/h) 2x AR 403 122 (1780 m³/h) 2x AR 400 142 (1660 m³/h)</p>	<p>1x AR 401 142 (910 m³/h) 2x AR 401 142 (1820 m³/h)</p>	
<p>1x AR 403 122 (890 m³/h) 1x AR 400 142 (830 m³/h) 2x AR 403 122 (1780 m³/h) 2x AR 400 142 (1660 m³/h)</p>	<p>1x AR 403 122 (890 m³/h) 1x AR 400 142 (830 m³/h) 2x AR 403 122 (1780 m³/h) 2x AR 400 142 (1660 m³/h)</p>	<p>1x AR 401 142 (910 m³/h) 2x AR 401 142 (1820 m³/h)</p>	
<p>1x AR 403 122 (890 m³/h) 1x AR 400 142 (830 m³/h) 2x AR 403 122 (1780 m³/h) 2x AR 400 142 (1660 m³/h)</p>	<p>1x AR 403 122 (890 m³/h) 1x AR 400 142 (830 m³/h) 2x AR 403 122 (1780 m³/h) 2x AR 400 142 (1660 m³/h)</p>	<p>1x AR 401 142 (910 m³/h) 2x AR 401 142 (1820 m³/h)</p>	
2 AR: divide airflow of center modules with air collector box		2 AR: divide airflow of center modules with air collector box	
<p>1x AR 400 142 (830 m³/h) 2x AR 403 122 (1780 m³/h) 2x AR 400 142 (1660 m³/h)</p>	<p>1x AR 400 142 (830 m³/h) 2x AR 403 122 (1780 m³/h) 2x AR 400 142 (1660 m³/h)</p>	<p>1x AR 401 142 (910 m³/h) 2x AR 401 142 (1820 m³/h)</p>	
<p>2x AR 403 122 (1780 m³/h) 2x AR 400 142 (1660 m³/h)</p>	<p>2x AR 403 122 (1780 m³/h) 2x AR 400 142 (1660 m³/h)</p>	<p>2x AR 401 142 (1820 m³/h)</p>	
<p>2x AR 403 122 (1780 m³/h) 2x AR 400 142 (1660 m³/h)</p>	<p>2x AR 403 122 (1780 m³/h) 2x AR 400 142 (1660 m³/h)</p>	<p>2x AR 401 142 (1820 m³/h)</p>	
<p>2x AR 403 122 (1780 m³/h) 2x AR 400 142 (1660 m³/h)</p>	<p>2x AR 403 122 (1780 m³/h) 2x AR 400 142 (1660 m³/h)</p>	<p>2x AR 401 142 (1820 m³/h)</p>	



AL 400 122
 stainless steel
 Width 120 cm
 Air extraction / Air recirculation
 Motorless

AL 400 192
 stainless steel
 Width 90 cm
 Air extraction /
 Air recirculation
 Motorless



Necessary installation accessories
 Depending on the connection option
 (front, back, or bottom) one of the
 following accessories must be ordered.

AD 754 049
 Connecting piece for AL 400
 Metal zinc coated
 DN 150 round

AD 854 050
 Connecting piece for AL 400
 Metal zinc coated
 DN 150 flat

Installation accessories

AA 409 401
 Furniture support for table ventilation
 AL 400 90 cm

AA 409 431
 Furniture support for table ventilation
 AL 400 120 cm

AD 704 050
 Air collector box for AL 400
 Metal zinc coated
 DN 150 flat

Special accessories

AA 400 510
 Window contact switch

Installation accessories for air ducting
 you will find at the pages 245 – 251.

Table ventilation 400 series
AL 400

- Extendable table ventilation, when not in use can be completely lowered into the worktop
- Can be combined perfectly with all Vario cooktops 400 series
- Dimmable, neutral white surface LED light for ideal illumination of the cooktop
- Precision crafted 3 mm stainless steel
- For surface mounting with a visible edge or for flush mounting
- Motorless, can be combined with Gaggenau BLDC remote fan units

Output

Power levels depend on the remote fan unit.
 Refer to the "Technical specifications" of the hood for the matching remote fan units for air recirculation or air extraction mode.

Features

3 electronically controlled power levels and 1 intensive mode.
 Interval ventilation, 6 min.
 Run-on function, 6 min.
 Grease filter saturation indicator.
 2 large-scale metal grease filters included, easy to remove and dishwasher-safe.
 Grease drip trays, easy to remove and dishwasher-safe.
 Neutral white surface LED light (3600 K), continuously dimmable.
 Lamp output 2 x 10 W.
 Illuminance 400 lx.
 Flexible connection options to the remote fan unit: at the bottom, at the front or at the back.
 In all the options, it is possible to have space for drawers in front of the table ventilation.

Consumption data

AL 400 192 : Consumption data is referred to a configuration with the remote fan unit AR 400 142.
 Energy efficiency class A at a range of energy efficiency classes from A+++ to D.
 Energy consumption 45.5 kWh/year.
 Ventilation efficiency class A.
 Illumination efficiency class C.
 Grease filter efficiency class B.
 Sound level min. 45 dB / max. 61 dB normal mode.

AL 400 122 : Recommended only in recirculation mode for EU countries, the consumption data is not mandatory in this mode.

Planning notes

AL 400 192 : Combinable with all cooktops Vario 400 series, 400 series and 200 series. Maximum cooktops width: 90 cm.

AL 400 122 : Combinable with all cooktops Vario 400 series and 400 series. Maximum cooktops width: 120 cm. It is recommended to use two remote fan units so that sufficient vapour captation will be ensured.
 For EU countries due to legislation EU 66/2014 only air recirculation is recommended.

Depending on the type of installation, the corresponding accessories must be ordered separately.
 Air recirculation is not recommended in combination with Vario electric grill.
 Operation of Vario cooking appliances only possible without appliance cover.

Max. output of cooktops 18 kW.
 The table ventilation must have its own worktop cut-out.
 The bearing capacity and stability, in the case of thin worktops in particular, must be supported using suitable substructures. Take into account the appliance weight and additional loads. The remaining surface of the worktop (min. 50 mm) between the cut-outs must be reinforced with a support. It is recommended to use furniture support AA 409 401/431.

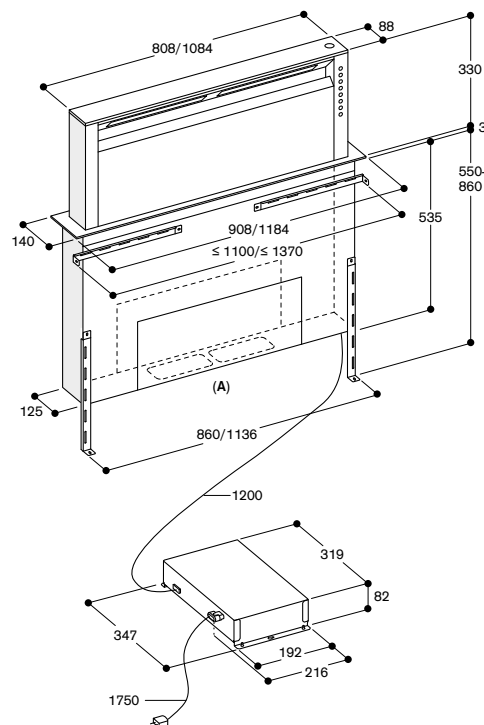
Additional instructions for flush mounting: Installation is possible in worktops made of stone, synthetics or solid wood. Heat resistance and watertight sealing of the cut edges must be observed. Concerning other materials please consult the worktop manufacturer. Depending on the type of installation, ovens can be combined with the table ventilation.

When installing a ventilation hood with air extraction mode and a chimney-vented fireplace, the power supply line of the ventilation appliance needs a suitable safety switch.
 The control unit should be accessible and be secured to a panel of the cabinet that avoids any risk of flooding.

Please read additional planning notes on page 186 – 188.

Connection

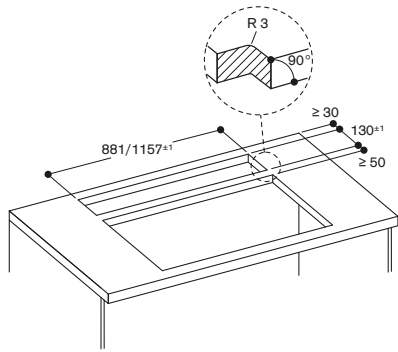
Total connected load 65/65 W
 Connecting cable 1.7 m with plug.
 Network cable 1.2 m.



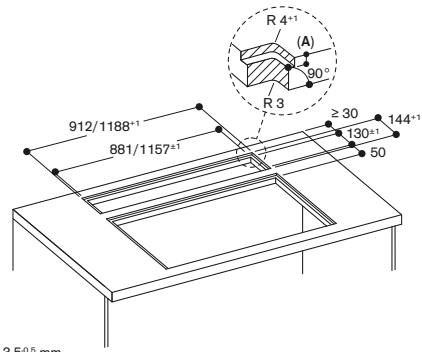
A: Flexible connection of the hood at the front, the back, or at the bottom

Measurements in mm

*Energy efficiency class: at a range of energy efficiency classes from A+++ to D.



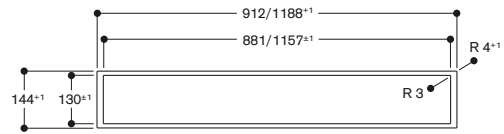
Measurements in mm



A: 3.5^{±0.5} mm

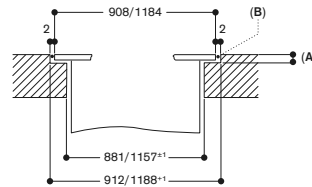
Measurements in mm

View from above



Measurements in mm

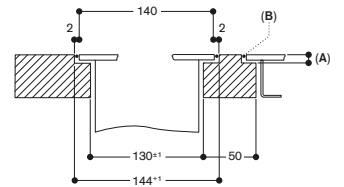
Longitudinal section



A: 3.5^{±0.5} mm
B: Fill with silicone

Measurements in mm

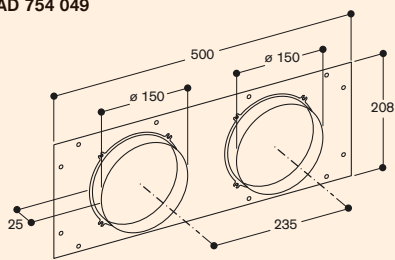
Cross section



A: 3.5^{±0.5} mm
B: Fill with silicone

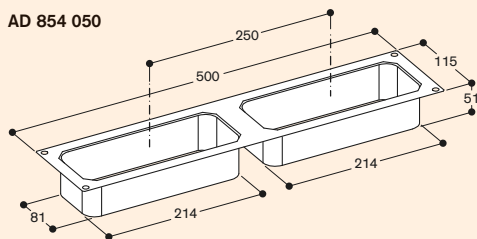
Measurements in mm

AD 754 049



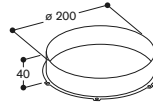
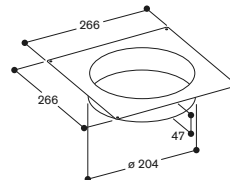
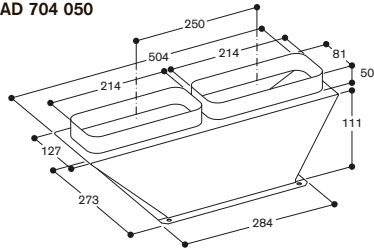
Measurements in mm

AD 854 050



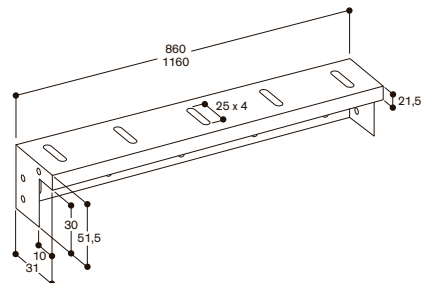
Measurements in mm

AD 704 050



Measurements in mm

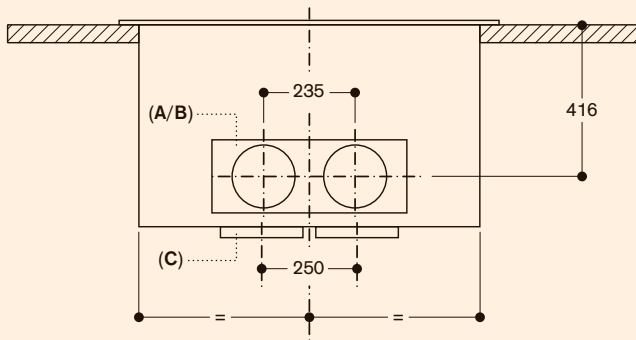
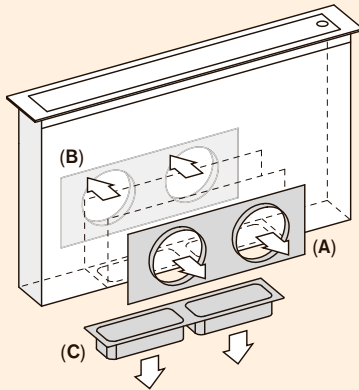
AA 409 401/431 furniture support



Recommended configurations for table ventilation 400 series

Good to know – for correct planning and installation

- For depth measurements, take account of the depth of the furniture cavity and worktop overhangs of the kitchen furniture.
- The ducting can essentially be connected to the front, the back or straight down. The respective connecting pieces are available for this purpose.
- It is also important that ducting is well sealed in order to prevent air leaks, e.g. by using the adequate adhesive tape or using the adequate connecting piece.
- Plastic ducts can be used for installation behind a gas appliance. The maximum permitted performance of the cooktops is 18 kW.
- For the AL 400 122 it is recommended to use two remote fan units, with this we can ensure a sufficient vapour captation. For EU countries, the AL 400 122 is only recommended in air recirculation due to legislation EU 66/2014.
- Vario cooktops with intensive vapour formation like Vario Teppan Yaki or Vario electric grill should be placed central in front of the ventilation appliance.
- In case of Vario electric grill air recirculation is not recommended.
- The control unit should be accessible and be secured to a panel of the cabinet that avoids any risk of flooding.
- Depending on the type of installation, the corresponding accessories must be ordered separately.



- A:** Connection at the front with AD 754 049
- B:** Connection at the back with AD 754 049
- C:** Connection at the bottom with AD 854 050

Measurements in mm

Planning example
AL 400 192 with AR 413 122 (air recirculation) remote fan unit

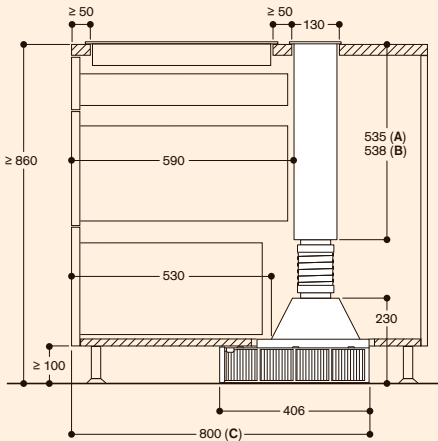
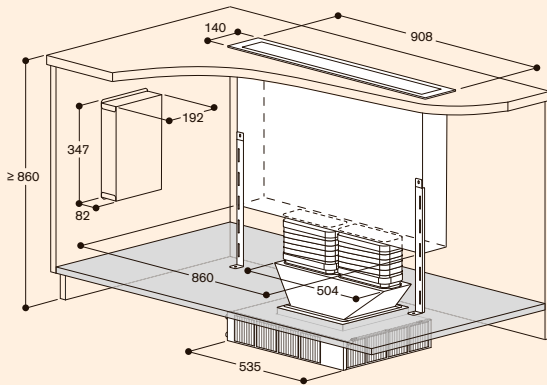
Good to know

- The air collector box can be screwed directly on the remote fan unit.
- For optimum performance, the recirculated air requires sufficient space to escape (outflow surface area of at least 400 cm²).

List of components

- 1 x AL 400 192
- 1 x AR 413 122 (remote fan unit air recirculation)
- 1 x AD 854 050 (connecting piece to the bottom)
- 2 x AD 858 010 (flat duct flex pipe)
- 1 x AD 704 050 (air collector flat duct)

Order as set (appliances and accessories): **SET1AL4105**



A: Surface mounting
 B: Flush mounting
 C: 750 mm with a worktop at min. height 920 mm
 Measurements in mm

Planning example
AL 400 192 with AR 413 122 (air recirculation) or AR 403 122 (air extraction) remote fan unit

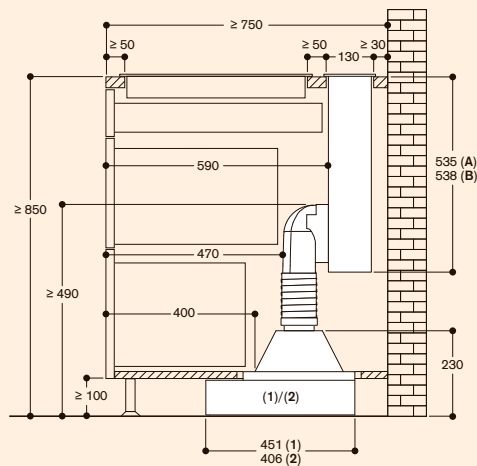
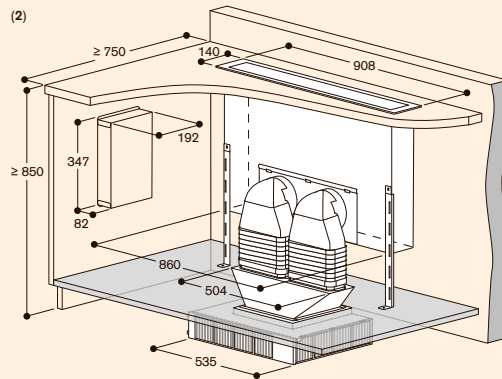
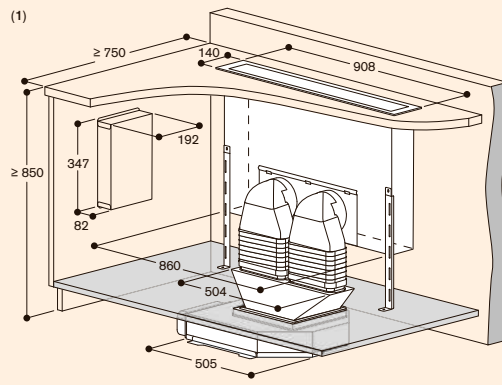
Good to know

- The remote fan unit can be connected to the front or the back
- The air collector box can be screwed directly on the remote fan unit.
- Recirculation: For optimum performance, the recirculated air requires sufficient space to escape (outflow surface area of at least 400 cm²).
- Extraction : in the example exhaust is towards the left, it is also possible to the right, please be aware that the measures will be different.
- Please note, this installation is also possible with Gaggenau metal ducts.

List of components

- 1 x AL 400 192
- 1 x AR 413 122 (for recirculation) or 1 x AR 403 122 (for extraction)
- 1 x AD 754 049 (connecting piece round duct to front/back)
- 2 x AD 857 042 (flat duct adapter round 90°)
- 1 x AD 858 010 (flat duct flex pipe)
- 1 x AD 704 050 (air collector flat duct)
- 1 x AD 990 091 (adhesive tape aluminium)

Order as set for recirculation mode (appliances and accessories): **SET1AL4107**



A: Surface mounting
 B: Flush mounting
 Extraction mode with remote fan unit
 1: AR 403 122
 2: AR 413 122
 Measurements in mm

Planning example

AL 400 120 cm with AR 410 110 (air recirculation)

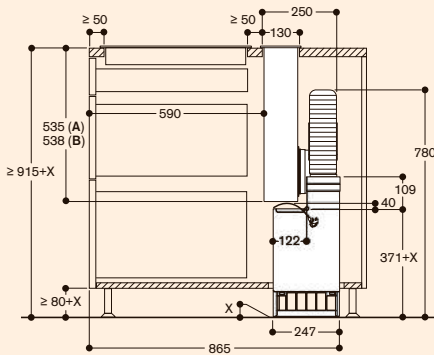
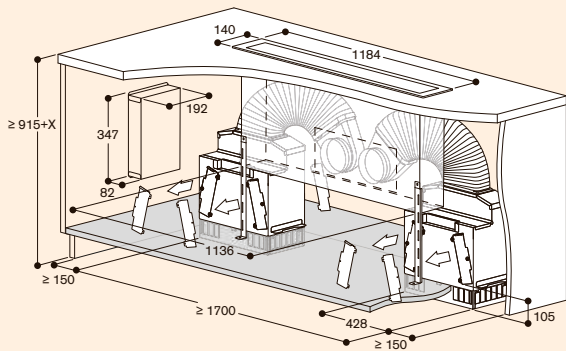
Good to know

- The remote fan units can be connected to the front or the back.
- For optimum performance, the recirculated air requires sufficient space to escape (outflow surface area of at least 800 cm² - 400 cm² for each remote fan unit).
- Please note, this installation is also possible with Gaggenau metal ducts.

List of components

- 1 x AL 400 122
- 2 x AR 410 110 (remote fan unit)
- 1 x AD 754 049 (connecting piece round duct to front/back)
- 2 x AD 857 042 (flat duct adapter round 90°)
- 2 x AD 858 010 (flat duct flex pipe)
- 1 x AD 990 091 (adhesive tape)

-Order as set (appliances and accessories): **SET2AL4301**



A: Surface mounting
B: Flush mounting

Measurements in mm

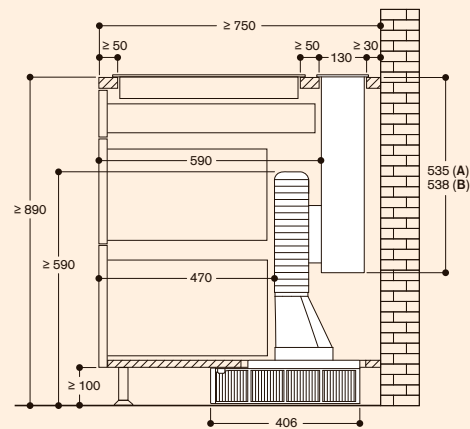
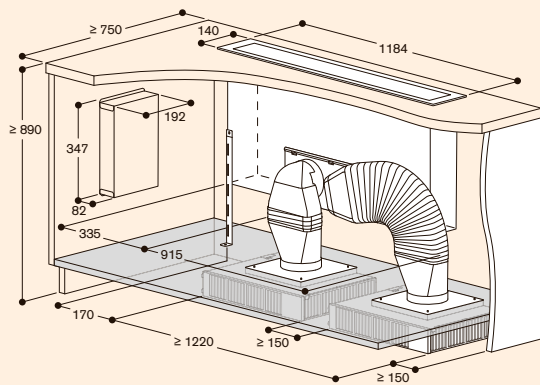
Planning example

AL 400 120 cm with AR 413 122 (air recirculation) remote fan unit

List of components

- 1 x AL 400 122
- 2 x AR 413 122 (remote fan unit)
- 1 x AD 754 049 (connecting piece round duct to front/back)
- 2 x AD 857 042 (flat duct adapter round 90°)
- 1 x AD 858 010 (flat duct flex pipe)
- 2 x AD 857 041 (flat duct adapter round)
- 1 x AD 990 091 (adhesive tape)

-Order as set (appliances and accessories): **SET2AL4107**



A: Surface mounting
B: Flush mounting

Measurements in mm



VL 414 112
stainless steel
Width 15.5 cm
Air extraction / Air recirculation
Motorless

A⁺*

Installation accessories

AD 410 040

Flexibel connecting piece for VL 200
DN 150 flat

AD 851 041

Connecting piece for extension with
flat duct DN 150 for extra deep worktop
VA 420 004

Connection strip for combination with
other Vario appliances of the 400 series
for flush mounting

VA 420 010

Connection strip for combination with
other Vario appliances of the 400 series
for surface mounting

Special accessories

AA 400 510

Window contact switch

AA 414 010

Ventilation moulding for VL 414 next to
gas appliance.

Installation accessories for air ducting
you will find at the pages 245 – 251.

Vario downdraft ventilation 400 series VL 414

- Can be combined perfectly flush with other Vario appliances of the 400 series
- Precision crafted 3 mm stainless steel
- Solid stainless steel control knob
- Highly efficient, low noise ventilation system especially with remote fan unit AR 410 110
- Function for automatic, sensor-controlled power adjustment depending on the build-up of cooking vapours
- Minimal planning and easy installation

Output

Power levels depend on the remote fan unit.

Refer to the "Technical specifications" of the hood for the matching remote fan units for air recirculation or air extraction mode.

Features

Control knob with illuminated ring included in delivery.

3 electronically controlled power levels and 1 intensive mode.

Automatic sensor-controlled performance adjustment of the ventilation system.

Automatic sensor controlled or manual run on function.

Large-scale metal grease filter with high grease absorption.

Removable, dishwasher-safe grease filter unit.

Grease filter and activated charcoal filter saturation indicator.

Airflow-optimised interior for efficient air circulation.

Interval ventilation, 6 min.

Enamelled ventilation grille, dishwasher-safe.

Air exhaust bend included in delivery.

Overflow 250 ml capacity.

Cooktop-based ventilation control (with suitable cooktop).

Home network integration for digital services (Home Connect) either via cable connection LAN (recommended) or wireless via WiFi.

The use of the Home Connect functionality depends on the Home Connect services, which are not available in every country. For further information please check: home-connect.com.

Please read additional information on Home Connect on page 345.

Consumption data

Consumption data is referred to a configuration with the remote fan unit AR 403 122.

Energy efficiency class A+ at a range of energy efficiency classes from A+++ to D.

Energy consumption 40.4 kWh/year.

Ventilation efficiency class A.

Illumination efficiency class -.

Grease filter efficiency class B.

Sound level min. 57 dB / max. 71 dB normal mode.

Planning notes

For each VL one remote fan unit is recommended.

Maximum cooktop width between two VL: 60 cm.

Vario cooktops like Vario electric grill and Vario gas wok should be placed between 2 VL.

In case of Vario electric grill, recirculation is not recommended.

If operated next to gas appliances, the ventilation moulding AA 414 010 is recommended to ensure maximum performance of the cooktop. Appliance can be snapped into the worktop from above.

Depending on the type of installation (surface-mounted or flush-mounted), the specific location of the cut-out and the knob positions may vary.

If combining several Vario appliances of the 400 series, a connection strip VA 420 must be placed between the appliances. Depending on the type of installation, the corresponding connection strip must be provided.

The bearing capacity and stability, in the case of thin worktops in particular, must be supported using suitable substructures. Take into account the appliance weight and additional loads.

Additional instructions for flush mounting:

Installation is possible in worktops made of stone, synthetics or solid wood. Heat resistance and watertight sealing of the cut edges must be observed. Concerning other materials please consult the worktop manufacturer. The groove must be continuous and even, so that uniform placing of the appliance on the gasket is ensured. Do not use discontinuous lining.

The joint width may vary due to size tolerances of the combinations and of the worktop cut-out.

When installing a ventilation hood with air extraction mode and a chimney-vented fireplace, the power supply line of the ventilation appliance needs a suitable safety switch.

Please read additional planning notes on page 192 – 195.

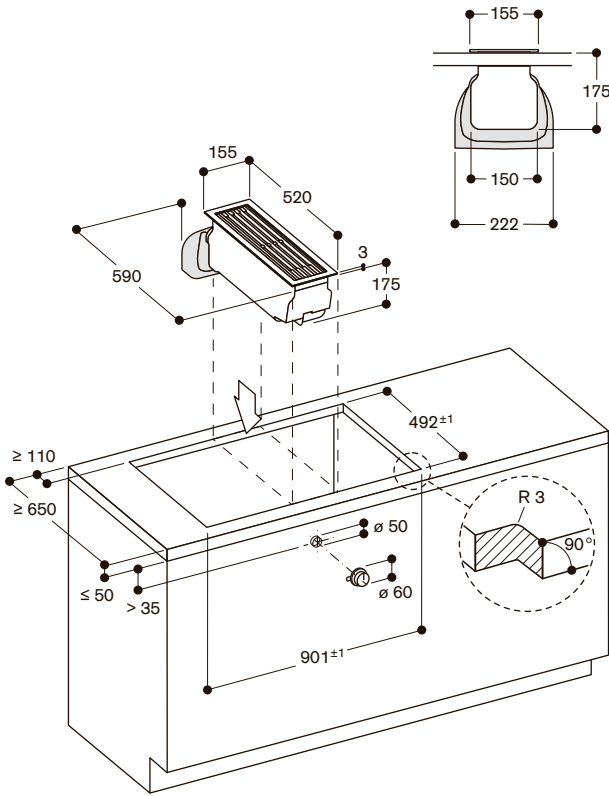
Connection

Total connected load 10 W.

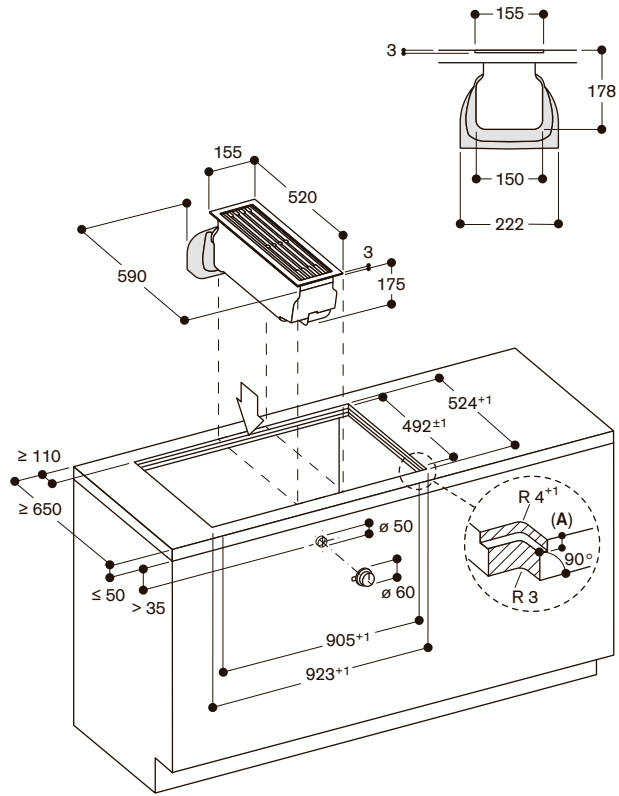
Connecting cable 1.75 m, pluggable.

Plan a LAN cable.

*Energy efficiency class: at a range of energy efficiency classes from A+++ to D.



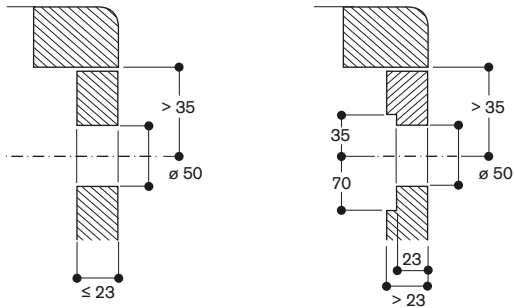
measurements in mm



A: 3.5^{-0.5} in combination with at least one framed appliance
6.5^{+0.5} in combination with at least one frameless induction cooktop

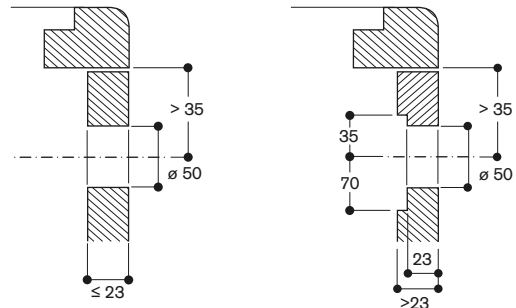
measurements in mm

Installation of the control knob; surface mounting



measurements in mm

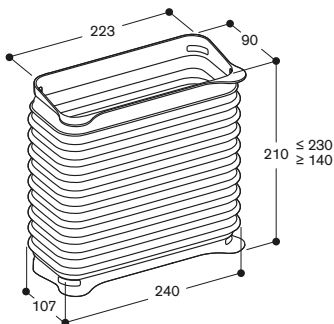
Installation of the control knob; flush installation



measurements in mm

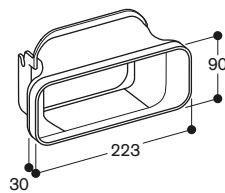
Installation accessories

AD 410 040 : Flexibel connecting piece, DN 150 flat



measurements in mm

AD 851 041: Connecting piece VL for extension with flat duct DN150 for extra deep worktop



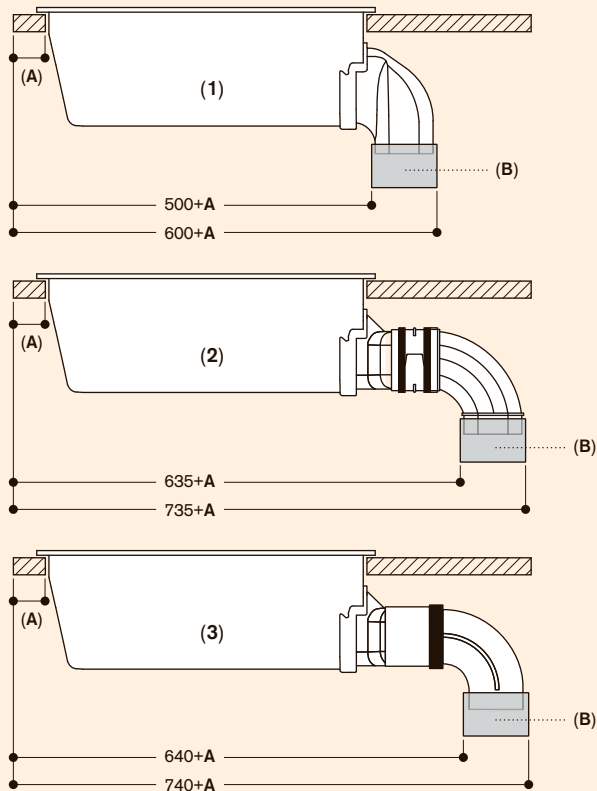
Recommended configurations for the Vario downdraft ventilation 400 series

Good to know – for correct planning and installation

- For depth measurements, take account of the depth of the furniture cavity and worktop overhangs of the kitchen furniture.
- It is also important that ducting is well sealed in order to prevent air leaks, e.g. by using the adequate adhesive tape or using the adequate connecting piece.
- Vario cooktops like Vario electric grill or Vario gas wok should be placed between 2 VL.
- In case of Vario electric grill air recirculation is not recommended.
- With the Vario downdraft ventilation, the ducting can be connected straight down (1) or to the rear using additional connecting pieces (2) and (3). These are available as special accessories, see below.

For the total overall dimensions in the furniture, please also take into account the individual dimensions and position of the ducts and the remote fan unit.

The remote fan unit can be turned in all directions, depending on the desired direction for the exhaust air or filter removal.



- 1: Direct installation
- 2: Installation with extension for extra deep worktop and plastic ducting:
 - AD 851 041 (Connecting piece for extension)
 - AD 857 040 (Flat duct connecting piece, plastic)
 - AD 857 030 (Flat duct bend 90° vertical, plastic)
- 3: Installation with extension for extra deep worktop and metal ducting:
 - AD 851 041 (Connecting piece for extension)
 - AD 854 000 (Flat duct connecting piece, metal)
 - AD 854 030 (Flat duct bend 90° vertical, metal)

A: ≥ 50mm

B: Connecting piece

measurements in mm

**Planning example (air recirculation) - Direct installation
VL414 with AR 410 110 remote fan unit**

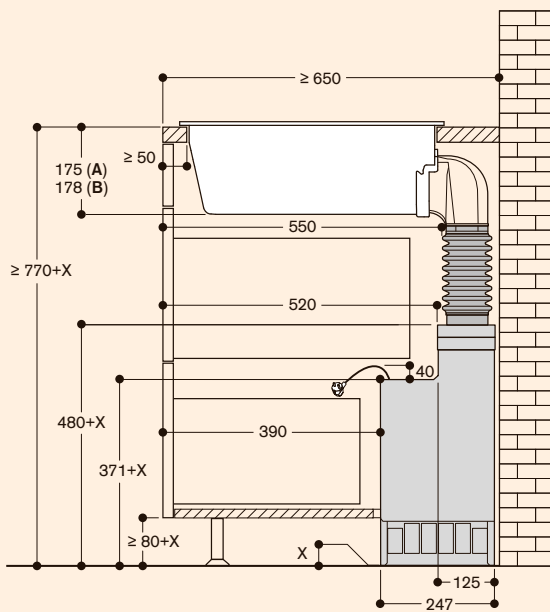
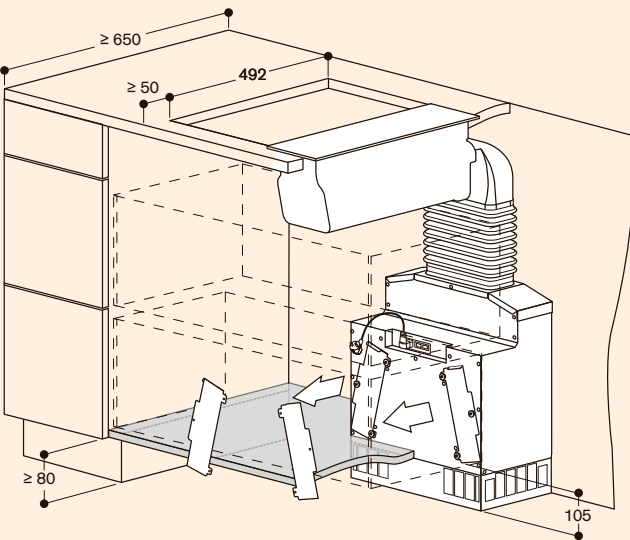
Good to know

- Wall installation, worktop depth 65 cm
- Allow accessibility to the charcoal filters in the lower cabinet for their replacement. Additionally, if the plinth is higher than 80 mm, the external remote fan unit has to be elevated to enable access to the filters. If the plinth is 80 mm high, the remote fan unit can be placed directly on the floor.
- For optimum performance, the recirculated air requires sufficient space to escape (outflow surface area of at least 400 cm²).

List of components

- 1 x AR 410 110 (remote fan unit air recirculation)
- 1 x AD 410 040 (flexibel connecting piece for VL400, DN 150 flat)

Order as set (appliances and accessories): SET1VL4701



A: Surface mounting
B: Flush mounting (only VL414)

measurements in mm

**Planning example (air recirculation) - Direct installation
VL414 with AR 413 122 remote fan unit**

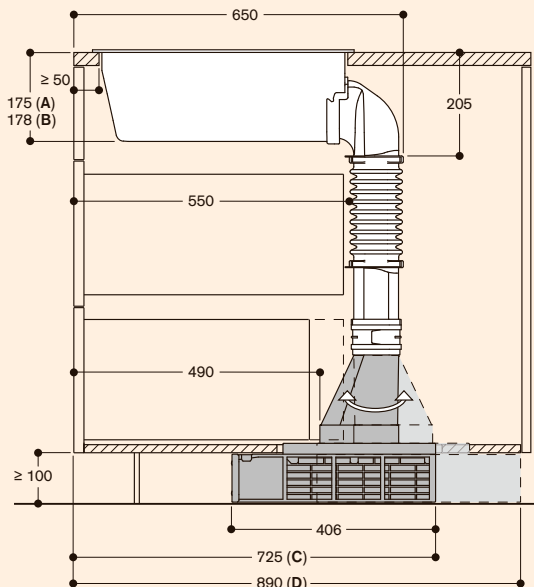
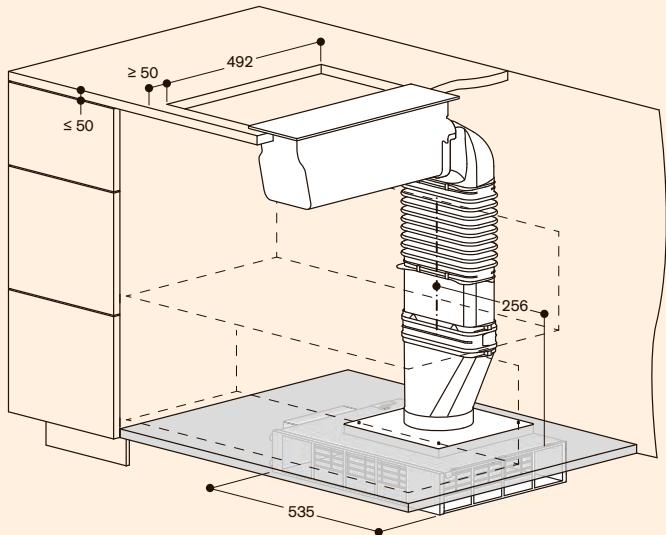
Good to know

- Wall or island installation.
- Allow accessibility to the charcoal filters in the lower cabinet for their replacement.
- The recommended minimum distance between filter openings and cupboard wall if there is no ventilation grille directly in front: 15 cm.
- For optimum performance, the recirculated air requires sufficient space to escape (outflow surface area of at least 400 cm²).

List of components

- 1 x AR 413 122 (remote fan unit air recirculation)
- 1 x AD 410 040 (flat flexible connecting piece)
- 1 x AD 857 015 (flat duct 50 cm)
- 1 x AD 857 040 (flat duct connecting piece)
- 1 x AD 857 041 (flat duct adapter round)
- 1 x AD 990 090 (adhesive tape)

Order as set (appliances and accessories): SET1VL4702



A: Surface mounting
B: Flush mounting (only VL414)
C: Filter access from the front. Connecting piece flat/round towards the front
D: Filter access from the back. Connecting piece flat/round towards the back

measurements in mm

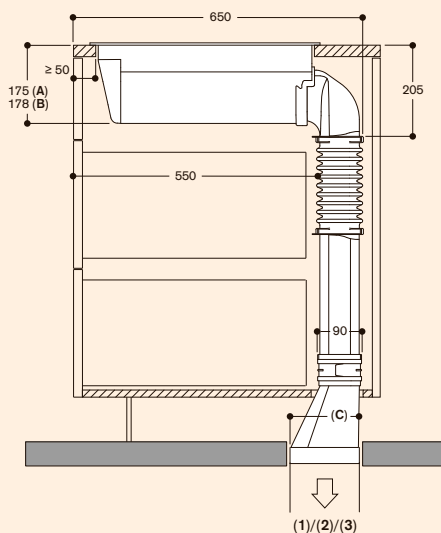
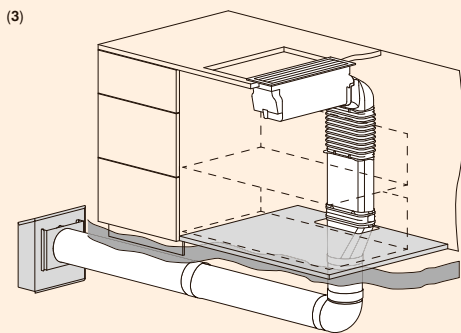
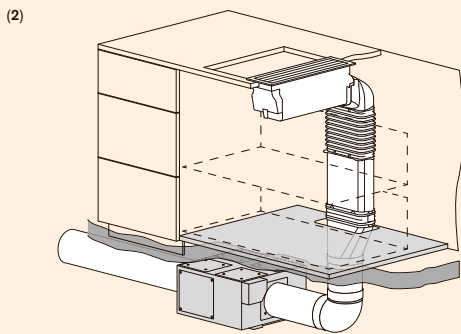
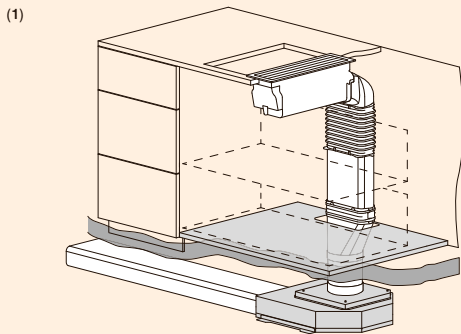
Recommended configurations for the Vario downdraft ventilation 400 series

Planning example (air extraction) - Direct installation VL414 with extraction remote fan unit - Cellar installation

Combination with AR 403 122 / AR 400 142 / AR 401 142

List of components

- 1 x AD 410 040 (flat flexible connecting piece)
- 1 x AD 857 015 (flat duct 50 cm)
- 1 x AD 857 040 (flat duct connecting piece)
- 1 x AD 857 041 (flat duct adapter round)
- 1 x AR 403 122 or AR 400 142 or AR 401 142 (remote fan unit air extraction)



Extraction mode with remote fan unit
1: AR 403
2: AR 400
3: AR 401

A: Surface mounting
B: Flush mounting
C: 152.5

measurements in mm

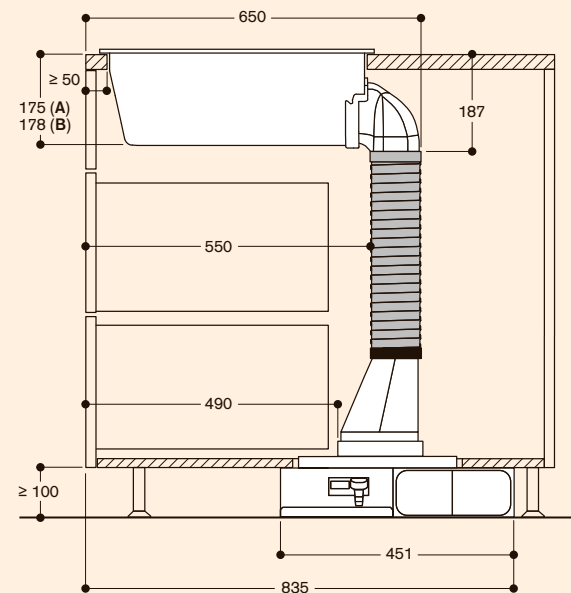
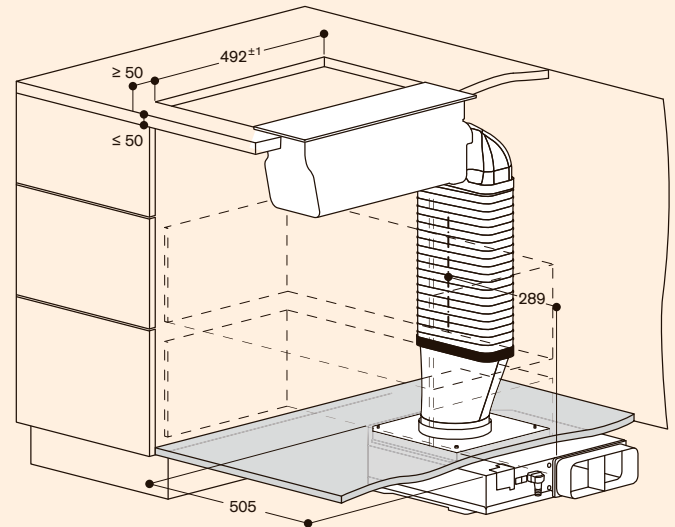
Planning example (air extraction) - Direct installation - Metal VL 414 with AR 403 122 remote fan unit

Island installation, connection from the right side.

List of components

- 1 x AR 403 122 (remote fan unit air extraction)
- 1 x AD 858 010 (flat duct flex pipe, metal, DN 150)
- 1 x AD 854 041 (flat duct adapter round, metal, DN 150 flat/round)
- 1 x AD 990 091 (adhesive tape for sealing the ducts, aluminum)

Order as set (appliances and accessories): SET1VL4503



A: Surface mounting
B: Flush mounting (only VL414)

measurements in mm

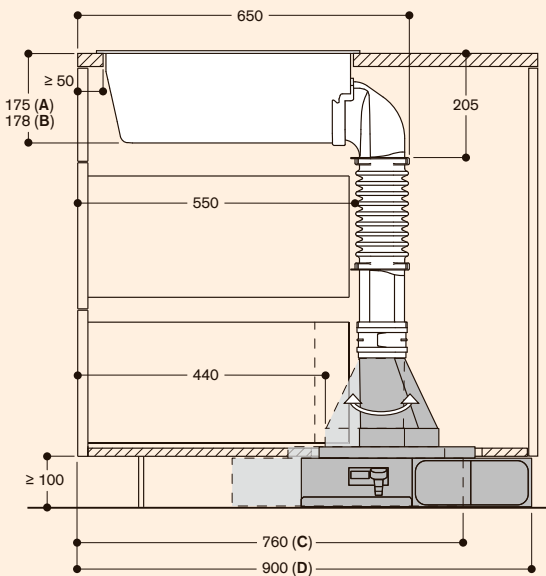
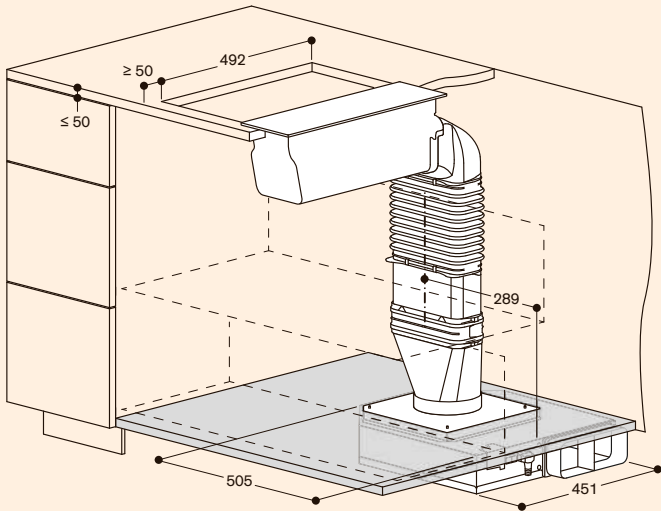
Planning example (air extraction) – Direct installation
VL 414 with AR 403 122 remote fan unit

Island installation, connection to the right or the left side.

List of components

- 1 x AR 403 122 (remote fan unit air extraction)
- 1 x AD 410 040 (flat flexible connecting piece)
- 1 x AD 857 015 (flat duct 50 cm)
- 1 x AD 857 040 (flat duct connecting piece)
- 1 x AD 857 041 (flat duct adapter round)
- 1 x AD 990 090 (adhesive tape)

Order as set (appliances and accessories): SET1VL4703



A: Surface mounting
 B: Flush mounting (only VL414)
 C: Exhaust to the left. Connecting piece flat/round towards the front
 D: Exhaust to the right. Connecting piece flat/round towards the back

measurements in mm

Planning example (air recirculation) - with extension
VL 414 with AR 410 110 remote fan unit

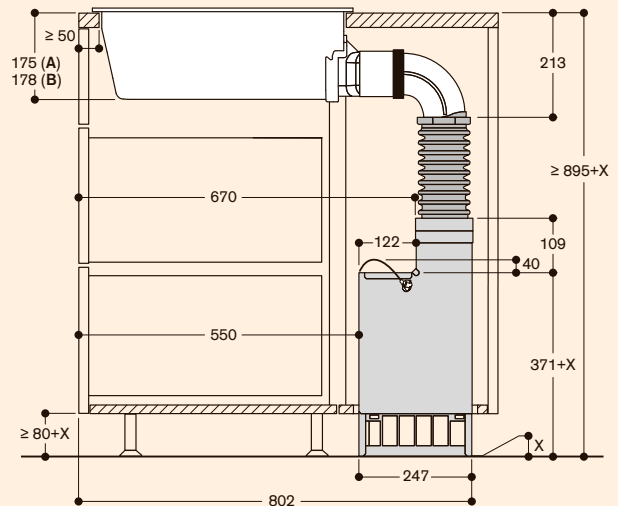
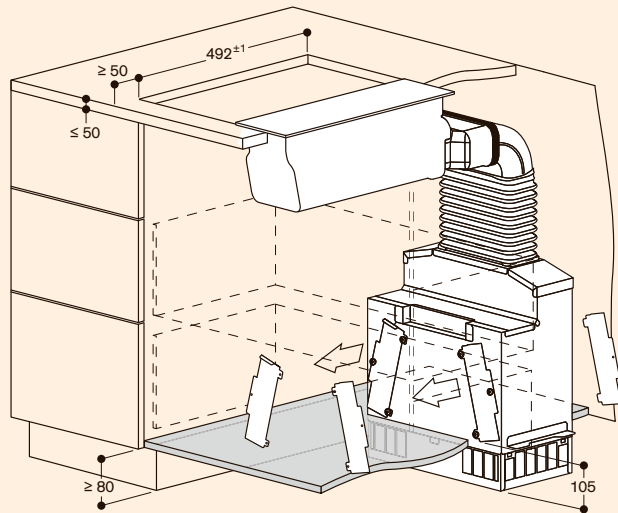
Good to know

- Allow accessibility to the charcoal filters in the lower cabinet for their replacement. Additionally, if the plinth is higher than 80 mm, the external remote fan unit has to be elevated to enable access to the filters. If the plinth is 80 mm high, the remote fan unit can be placed directly on the floor.
- For optimum performance, the recirculated air requires sufficient space to escape (outflow surface area of at least 400 cm²).
- Please note, this installation is also possible with Gaggenau plastic ducts

List of components - Metal

- 1 x AR 410 110 (remote fan unit air recirculation)
- 1 x AD 851 041 (connection piece for extension)
- 1 x AD 854 000 (flat duct connecting piece, metal)
- 1 x AD 854 030 (flat duct bend 90° vertical, metal)
- 1 x AD 410 040 (flat flexible connecting piece)
- 1 x AD 990 091 (adhesive tape for sealing the ducts, aluminium)

Order as set (appliances and accessories): SET3VL4501



A: Surface mounting
 B: Flush mounting (only VL414)

measurements in mm

List of components - Plastic

- 1 x AR 410 110 (remote fan unit air recirculation)
- 1 x AD 851 041 (connection piece for extension)
- 1 x AD 857 040 (flat duct connecting piece)
- 1 x AD 857 030 (flat duct bend 90° vertical)
- 1 x AD 410 040 (flat flexible connecting piece)

Order as set (appliances and accessories): SET2VL4701



AI 442 160
 Stainless steel
 Width 160 cm
 Air extraction / Air recirculation
 Motorless
 Delivery without chimney

AI 442 120
 Stainless steel
 Width 120 cm
 Air extraction / Air recirculation
 Motorless
 Delivery without chimney



Necessary installation accessories

AD 442 016
 Stainless steel air extraction chimney, including installation tower
 Length: 620 mm

AD 442 026
 Stainless steel air extraction chimney, including installation tower
 Length: 860 mm

AD 442 116
 Stainless steel air recirculation chimney, including installation tower
 Length: 620 mm

AD 442 126
 Stainless steel air recirculation chimney, including installation tower
 Length: 860 mm

Special accessories

AA 400 510
 Window contact switch

AA 442 110
 2 activated charcoal filter with high efficient odour reduction due to increased surface. For air recirculation module AA 442 810

AA 442 810
 Air recirculation module inclusive 2 activated charcoal filters with high efficient odour reduction due to increased surface
 For air recirculation.

AD 442 396
 Ceiling collar for chimneys
 Stainless steel

Installation accessories for air ducting you will find at the pages 245 – 251.

Island hood 400 series
AI 442

- Professional technology hood combined with classic Gaggenau design
- Highly efficient extraction of cooking vapours due to large vapour collection area
- Motorless, can be combined with Gaggenau BLDC remote fan units
- Angled baffle filter with high grease absorption
- Function for automatic, sensor-controlled power adjustment depending on the build-up of cooking vapours
- Dimmable, neutral white surface LED light for ideal illumination of the cooktop
- Air extraction or air recirculation system
- Air recirculation module with activated charcoal filter: quiet and highly efficient air recirculation solution with odor reduction as in air extraction mode and long replacement intervals

Output
 Power levels depend on the remote fan unit.
 Refer to the "Technical specifications" of the hood for the matching remote fan units for air recirculation or air extraction mode.

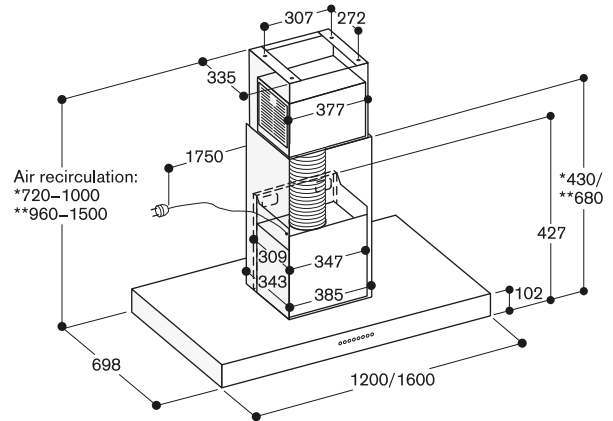
Features
 2 control panels
 3 electronically controlled power levels and 1 intensive mode.
 Automatic function with sensor-controlled run-on function.
 Grease filter saturation indicator.
 Baffle filter, dishwasher-safe.
 Neutral white surface LED light (3500 K), continuously dimmable.
 Lamp output 4 x 10 W.
 Illuminance 1390 lx.

Consumption data
 Consumption data is referred to a configuration AI 442 160/120 with the remote fan unit AR 400 143.
 Energy efficiency class A at a range of energy efficiency classes from A+++ to D.
 Energy consumption 53.5/53.3 kWh/year.
 Ventilation efficiency class A.
 Illumination efficiency class B.
 Grease filter efficiency class B.
 Sound level min. 45/44 dB / max. 62/62 dB normal mode.

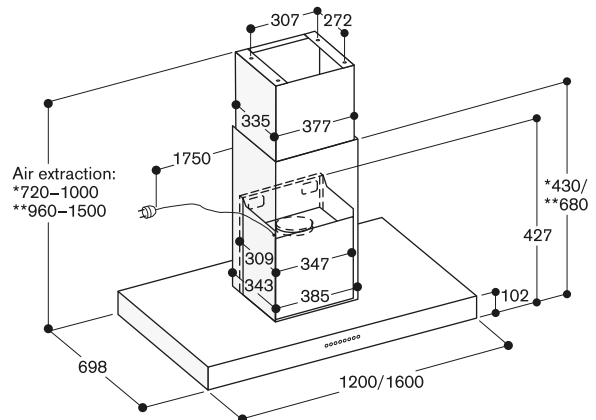
Planning notes
 The two-part chimney including the mounting kit must be ordered as an installation accessory.
 Connection to the respective appliances via network cable.
 Clearance above gas appliances min. 70 cm.
 Clearance above electric appliances min. 60 cm.
 Air recirculation module with 2 activated charcoal filters is installed in the inner chimney. Special air recirculation chimneys are available for this.
 When installing a ventilation hood with air extraction mode and a chimney-vented fireplace, the power supply line of the ventilation appliance needs a suitable safety switch.

Please read additional planning notes on page 198 – 199.

Connection
 Total connected load 50 W
 Connecting cable 1.8 m, pluggable.



* With air recirculation chimney AD 442 116, suitable for ceiling heights from 2.35 m to 2.60 m.
 ** With air recirculation chimney AD 442 126, suitable for ceiling heights from 2.60 m to 3.10 m; Specifications refer to the distance of 1.60 m from the floor to the lower edge of the hood.



* With air extraction chimney AD 442 016, suitable for ceiling heights from 2.35 m to 2.60 m.
 ** With air extraction chimney AD 442 026, suitable for ceiling heights from 2.60 m to 3.10 m; Specifications refer to the distance of 1.60 m from the floor to the lower edge of the hood.

ONLY WHILE STOCKS LAST

*Energy efficiency class: at a range of energy efficiency classes from A+++ to D.

**AW 442 160**

Stainless steel
Width 160 cm
Air extraction / Air recirculation
Motorless
Delivery without chimney

B ***AW 442 120**

Stainless steel
Width 120 cm
Air extraction / Air recirculation
Motorless
Delivery without chimney

A ***AW 442 190**

Stainless steel
Width 90 cm
Air extraction / Air recirculation
Motorless
Delivery without chimney

A ***Necessary installation accessories****AD 442 012**

Stainless steel chimney for air extraction
Length: 620 mm

AD 442 022

Stainless steel chimney for air extraction
Length: 860 mm

AD 442 112

Stainless steel chimney for air recirculation
Length: 620 mm

AD 442 122

Stainless steel chimney for air recirculation
Length: 860 mm

Special accessories**AA 400 510**

Window contact switch

AA 442 110

2 activated charcoal filter with high efficient odour reduction due to increased surface. For air recirculation module AA442810

AA 442 810

Air recirculation module inclusive 2 activated charcoal filters with high efficient odour reduction due to increased surface. For air recirculation.

AD 442 392

Ceiling collar for chimneys
Stainless steel

Installation accessories for air ducting you will find at the pages 245 – 251.

Wall-mounted hood 400 series**AW 442**

- Professional technology hood combined with classic Gaggenau design
- Highly efficient extraction of cooking vapours due to large vapour collection area
- Motorless, can be combined with Gaggenau BLDC remote fan units
- Angled baffle filter with high grease absorption
- Function for automatic, sensor-controlled power adjustment depending on the build-up of cooking vapours
- Dimmable, neutral white surface LED light for ideal illumination of the cooktop
- Air extraction or air recirculation system
- Air recirculation module with activated charcoal filter: quiet and highly efficient air recirculation solution with odor reduction as in air extraction mode and long replacement intervals

Output

Power levels depend on the remote fan unit.

Refer to the "Technical specifications" of the hood for the matching remote fan units for air recirculation or air extraction mode.

Features

2 control panels
3 electronically controlled power levels and 1 intensive mode.
Automatic function with sensor-controlled run-on function.
Grease filter saturation indicator.
Baffle filter, dishwasher-safe.
Neutral white surface LED light (3500 K), continuously dimmable.
Lamp output 4 x 10 W.
Illuminance 1010 lx.
Easy mounting system for simple installation and alignment.

Consumption data

Consumption data is referred to a configuration AW 442 160/120/190 with the remote fan unit AR 400 143. Energy efficiency class B/A/A at a range of energy efficiency classes from A+++ to D.
Energy consumption 57.7/48.1/40.8 kWh/year.
Ventilation efficiency class A/A/A.
Illumination efficiency class B/B/A.
Grease filter efficiency class A/B/B.
Sound level min. 47/47/47 dB / max. 64/64/63 dB normal mode.

Planning notes

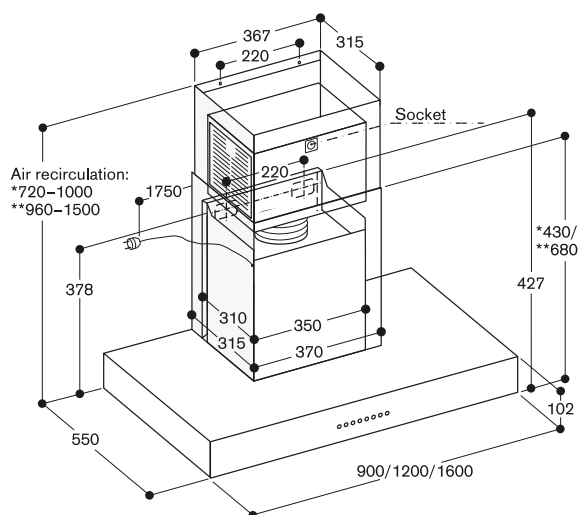
The two-part chimney must be ordered as an installation accessory.
Connection to the respective appliances via network cable.
Clearance above gas appliances min. 70 cm.
Clearance above electric appliances min. 60 cm.
Air recirculation module with 2 activated charcoal filters is installed in the inner chimney. Special air recirculation chimneys are available for this.

When installing a ventilation hood with air extraction mode and a chimney-vented fireplace, the power supply line of the ventilation appliance needs a suitable safety switch.

Please read additional planning notes on page 198 – 199.

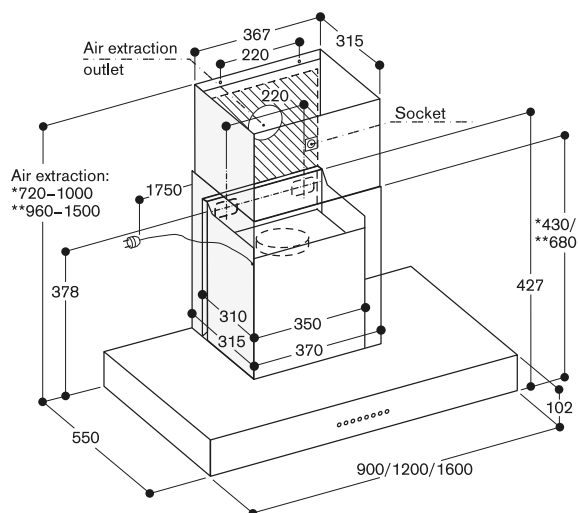
Connection

Total connected load 50/40/30 W
Connecting cable 1.8 m, pluggable.



* With air recirculation chimney AD 442 112, suitable for ceiling heights from 2.35 m to 2.60 m.

** With air recirculation chimney AD 442 122, suitable for ceiling heights from 2.60 m to 3.10 m; Specifications refer to the distance of 1.60 m from the floor to the lower edge of the hood.



* With air extraction chimney 442 012, suitable for ceiling heights from 2.35 m to 2.60 m.

** With air extraction chimney AD 442 022, suitable for ceiling heights from 2.60 m to 3.10 m; Specifications refer to the distance of 1.60 m from the floor to the lower edge of the hood.

ONLY WHILE STOCKS LAST

Recommended configurations for the island/wall-mounted hoods 400 series

Planning example 1

1 x AI 442 with AR 400 143

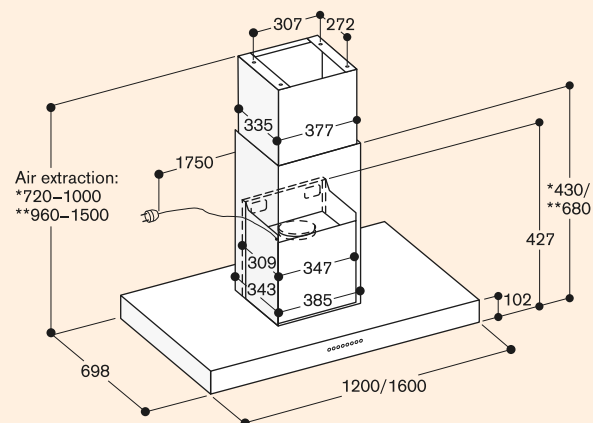
Round duct, DN 150

Good to know

- The AR 400 143 remote fan unit is ideal for space-saving installation for assembly in the AI 442.
- Two chimney lengths are available depending on the height of the room.
- The minimum distance to the cooktop is 600 mm, and 700 mm for gas appliances.
- The necessary mounting kits are included as accessories with the chimney.
- The appropriate installation accessories are available for air extraction and air recirculation, see the list of accessories.
- The minimum height of AI 442 is increased by 2 cm with the installation of the ceiling collar.

List of accessories 1 (air extraction)

- 1 x AR 400 143 (remote fan unit for AI 442 / AW 442 chimney installation)
- 1 x AD 442 016 (stainless steel chimney for air extraction for room height of 2.35 m to 2.60 m)
or 1 x AD 442 026 (stainless steel chimney for air extraction for room height of 2.60 m to 3.10 m)
- 1-2 x AD 752 010 (round duct, DN 150), depending on room height
- 1 x AD 990 090 (adhesive tape for bonding the ducts)
- Optional : 1 x AD 442 396 (stainless steel ceiling collar for island hood)

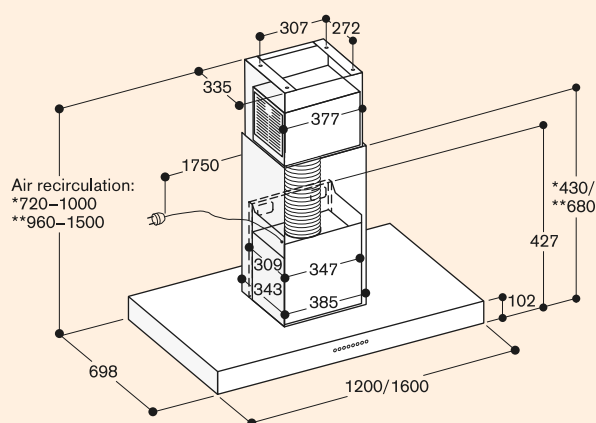


* With air extraction chimney 442 016, suitable for ceiling heights from 2.35 m to 2.60 m.

**With air extraction chimney AD 442 026, suitable for ceiling heights from 2.60 m to 3.10 m; Specifications refer to the distance of 1.60 m from the floor to the lower edge of the hood.

List of accessories 2 (air recirculation)

- 1 x AR 400 143 (remote fan unit for AI 442 / AW 442 chimney installation)
- 1 x AA 442 810 (air recirculation module with activated charcoal filter)
- 1 x AD 442 116 (stainless steel chimney for air recirculation for room height of 2.35 m to 2.60 m) or 1 x AD 442 126 (stainless steel chimney for air extraction for room height of 2.60 m to 3.10 m)
- Optional : 1 x AD 442 396 (stainless steel ceiling collar for island hood)



* With air recirculation chimney AD 442 116, suitable for ceiling heights from 2.35 m to 2.60 m.

**With air recirculation chimney AD 442 126, suitable for ceiling heights from 2.60 m to 3.10 m; Specifications refer to the distance of 1.60 m from the floor to the lower edge of the hood.

Planning example 2

1 x AW 442 with AR 400 143

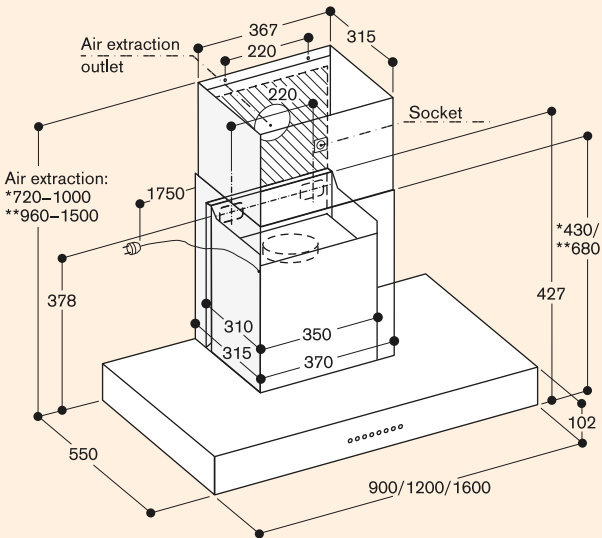
Round duct, DN 150

Good to know

- The AR 400 143 remote fan unit is ideal for space-saving installation for assembly in the AW 442.
- Two chimney lengths are available depending on the height of the room.
- The minimum distance to the cooktop is 600 mm, and 700 mm for gas appliances.
- The appropriate installation accessories are available for air extraction and air recirculation, see the list of accessories.

List of accessories 1 (air extraction)

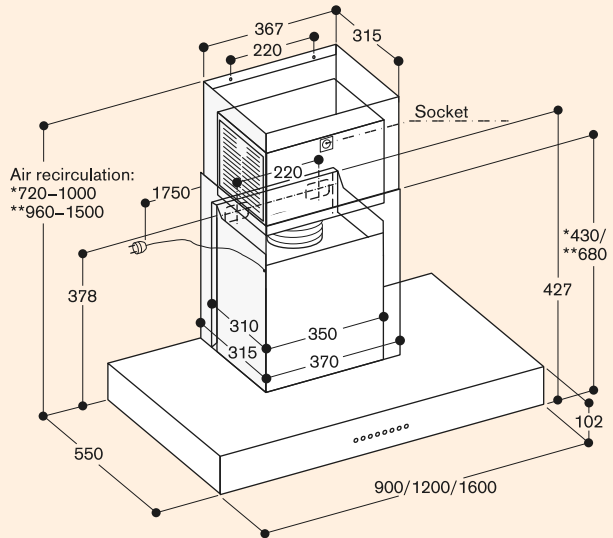
- 1 x AR 400 143 (remote fan unit for AI 442 / AW 442 chimney installation)
- 1 x AD 442 012 (stainless steel chimney for air extraction for room height of 2.35 m to 2.60 m)
- or 1 x AD 442 022 (stainless steel chimney for air extraction for room height of 2.60 m to 3.10 m)
- 1-2 x AD 752 010 (round duct, DN 150), depending on room height
- 1 x AD 990 090 (adhesive tape for bonding the ducts)
- Optional : 1 x AD 442 392 (stainless steel ceiling collar for wall-mounted hood)



* With air extraction chimney 442 012, suitable for ceiling heights from 2.35 m to 2.60 m.
 ** With air extraction chimney AD 442 022, suitable for ceiling heights from 2.60 m to 3.10 m; Specifications refer to the distance of 1.60 m from the floor to the lower edge of the hood.

List of accessories 2 (air recirculation)

- 1 x AR 400 143 (remote fan unit for AI 442 / AW 442 chimney installation)
- 1 x AA 442 810 (air recirculation module with activated charcoal filter)
- 1 x AD 442 112 (stainless steel chimney for air recirculation for room height of 2.35 m to 2.60 m) or 1 x AD 442 122 (stainless steel chimney for air recirculation for room height of 2.60 m to 3.10 m)
- Optional : 1 x AD 442 392 (stainless steel ceiling collar for wall-mounted hood)



* With air recirculation chimney AD 442 112, suitable for ceiling heights from 2.35 m to 2.60 m.
 ** With air recirculation chimney AD 442 122, suitable for ceiling heights from 2.60 m to 3.10 m; Specifications refer to the distance of 1.60 m from the floor to the lower edge of the hood.



AR 400 142

Metal housing
 Max. air output 830 m³/h
 Air extraction
 Inside installation

Special accessories

AA 400 510
 Window contact switch

Installation accessories for air ducting
 you will find at the pages 245 – 251.

Remote fan unit

AR 400

- Powerful remote fan unit to combine with motorless appliances
- Efficient BLDC technology

Output

Air output according to EN 61591.
 max. 830 m³/h.
 Sound power depending on built-in situation.
 Power levels depend on the motorless appliances.

Features

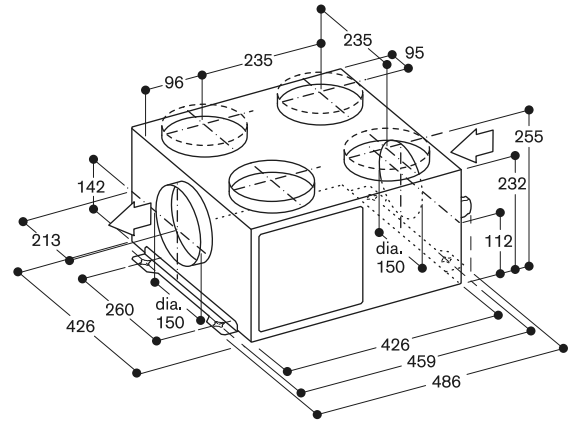
3 electronically controlled power levels and one intensive mode.
 Fan technology with highly efficient, brushless DC motor (BLDC).
 Steel housing, zinc-plated.
 Pipe connection pieces on intake side:
 1 x DN 150 round, 4 x DN 150 round.
 Pipe connection pieces on output side:
 1x DN 150 round.
 Spare cover for closing air intake.
 Retaining bracket for installation on the ceiling or side of a cupboard enclosed.

Planning notes

Remote fan unit in combination with motorless appliances.
 Connection to the respective appliances via network cable.
 Installation in the plinth with cut-out for the air ducting in the furniture base.
 Installation in a separate room allows for a reduced noise level in the kitchen.
 When installing a ventilation hood with air extraction mode and a chimney-vented fireplace, the power supply line of the ventilation appliance needs a suitable safety switch.

Connection

Total connected load 240 W.
 Connecting cable 1.8 m, pluggable.
 Network cable 5 m.



**AR 400 143**

Metal housing

Max. air output 1005 m³/h

Air extraction / Air recirculation

Installation in the chimney of

AI/AW 442

Special accessories**AA 400 510**

Window contact switch

Installation accessories for air ducting
you will find at the pages 245 – 251.

Remote fan unit**AR 400**

- Powerful remote fan unit to combine with motorless appliances
- Efficient BLDC technology
- **Compact and space-saving due to the installation in the duct cover of AI/AW 442 island/wall hood**

Output

Air output according to EN 61591.

max. 1005 m³/h.

Sound power depending on built-in situation.

Power levels depend on the motorless appliances.

Features

3 electronically controlled power levels and one intensive mode.

Fan technology with highly efficient, brushless DC motor (BLDC).

Including sound insulation to minimise the noise level.

Steel housing, zinc-plated.

Pipe connection pieces on output side:
1x DN 150 round.**Planning notes**

Remote fan unit in combination with the motorless AI/AW 442.

Connection to the respective appliances via network cable.

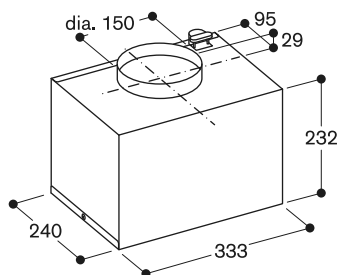
Installation in the chimney of AI/AW 442.

When installing a ventilation hood with air extraction mode and a chimney-vented fireplace, the power supply line of the ventilation appliance needs a suitable safety switch.

Connection

Total connected load 230 W.

Connecting and network cable included in delivery.



ONLY WHILE STOCKS LAST



AR 401 142

Stainless steel
 Max. air output 1050 m³/h
 Air extraction
 Outside wall mounting

Installation accessories

AD 702 052
 Telescopic wall-duct
 Connection piece DN 200 round

Special accessories

AA 400 510
 Window contact switch

Installation accessories for air ducting
 you will find at the pages 245 – 251.

Remote fan unit

AR 401

- Powerful remote fan unit to combine with motorless appliances
- Efficient BLDC technology

Output

Air output according to EN 61591.
 max. 1050 m³/h.
 Sound power depending on built-in situation.
 Power levels depend on the motorless appliances.

Features

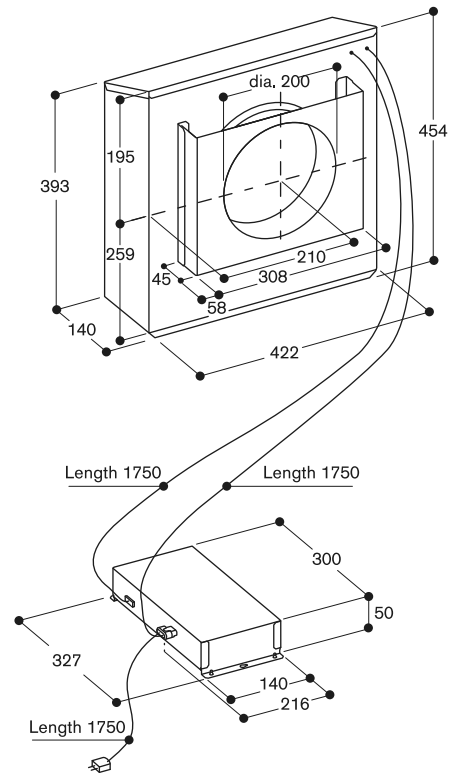
3 electronically controlled power levels and one intensive mode.
 Fan technology with highly efficient, brushless DC motor (BLDC).
 Including sound insulation to minimise the noise level.
 Stainless steel housing.
 Pipe connection pieces on intake side: 1x DN 200 round.
 Retaining bracket for installation on an outside wall enclosed.

Planning notes

Remote fan unit in combination with motorless appliances.
 Connection to the respective appliances via network cable.
 Installation in an exterior area allows for a reduced noise level in the kitchen.
 Installation on an outside wall.
 Control box must be installed indoors.
 Acceptable temperature range for installation of the control box:
 -25 to 60 °C.
 Distance for free air space from ground (or other object) to center of the pipe: min 60 cm.
 When installing a ventilation hood with air extraction mode and a chimney-vented fireplace, the power supply line of the ventilation appliance needs a suitable safety switch.

Connection

Total connected load 180 W.
 Connecting cable 1.8 m, pluggable.
 Network cable 5 m.



**AR 410 110**

Metal housing
Max. air output 675 m³/h
Air recirculation
Installation in the cupboard

Special accessories**AA 010 410**

Air exhaust grille air recirculation
Stainless steel-coloured, 90 cm,
including installation fittings, height
adjustable.

AA 410 110

2 activated charcoal filter
For air recirculation.

AA 410 112

2 regenerable activated charcoal filter
For air recirculation.

Installation accessories for air ducting
you will find at the pages 245 – 251.

Remote fan unit**AR 410**

- Powerful remote fan unit to combine with Vario downdraft ventilation and table ventilation AL 400 122
- Efficient BLDC technology
- Particularly quiet due to patented noise insulation
- Compact, space-saving installation in the cabinet for Vario downdraft ventilation

Output

Air output according to EN 61591.
max. 675 m³/h.
Sound power depending on built-in situation.
Power levels depend on the motorless appliances.

Features

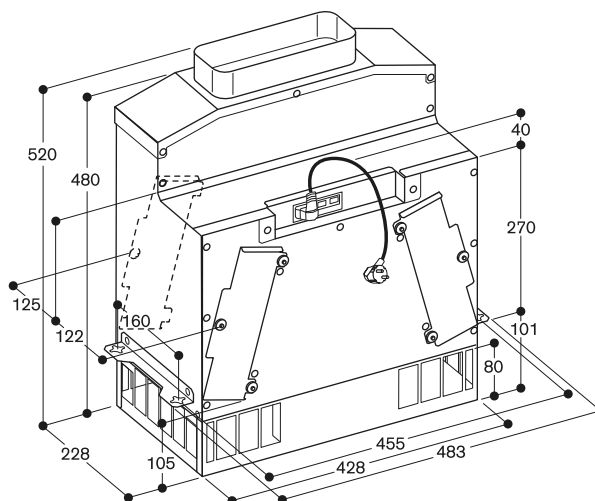
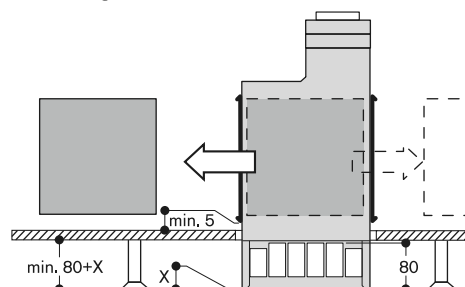
3 electronically controlled power levels and 1 intensive mode.
Fan technology with highly efficient, brushless DC motor (BLDC).
Including sound insulation to minimise the noise level.
Steel housing, zinc-plated.
Pipe connection piece on intake side:
1 x DN 150 flat duct.
Retaining bracket for installation at the furniture base enclosed.
2 activated charcoal filters enclosed ex factory.
The activated charcoal filter is suitable for the preparation of fish and seafood due to special treatment.
Filter replacement interval: 1 year depending on cooking frequency.

Planning notes

Remote fan unit to combine with Vario downdraft ventilation and table ventilation 400 series AL 400 122.
Connection to the respective appliances via network cable.
Installation in a cupboard possible with a cut-out in the furniture base or behind the cupboard positioned on the floor.
To replace the filter the remote fan unit must be accessible.
The activated charcoal filter exchange is possible from both sides.

Connection

Total connected load 170 W.
Connecting cable 1.8 m, pluggable.
Network cable 2 m.

**Filter exchange**



AR 403 122

Metal housing
 Max. air output 875 m³/h
 Air extraction
 Plinth installation

Special accessories

AA 400 510
 Window contact switch

Installation accessories for air ducting
 you will find at the pages 245 – 251.

Remote fan unit

AR 403

- Powerful remote fan unit to combine with motorless appliances
- Efficient BLDC technology
- Compact and space-saving installation in a 10 cm high plinth

Output

Air output according to EN 61591.
 max. 875 m³/h.
 Sound power and sound pressure depending on built-in situation.
 Power levels depend on the motorless appliances.

Features

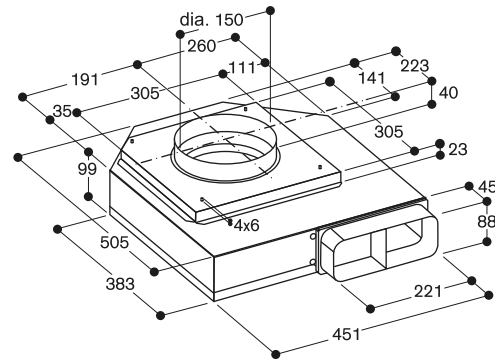
3 electronically controlled power levels and 1 intensive mode.
 Fan technology with highly efficient, brushless DC motor (BLDC).
 Steel housing, zinc-plated.
 Pipe connection pieces on intake side:
 1 x DN 150 round.
 Pipe connection pieces on output side:
 1x DN 150 flat duct.
 Retaining bracket for installation on the ceiling or side of a cupboard enclosed.

Planning notes

Remote fan unit in combination with motorless appliances.
 Connection to the respective appliances via network cable.
 Installation in the plinth with cut-out for the air ducting in the furniture base.
 When installing a ventilation hood with air extraction mode and a chimney-vented fireplace, the power supply line of the ventilation appliance needs a suitable safety switch.

Connection

Total connected load 180 W.
 Connecting cable 1.8 m, pluggable.
 Network cable 2 m.



**AR 413 122**

Metal housing
Max. air output 900 m³/h
Air recirculation
Plinth installation

Installation accessories**AA 010 410**

Air exhaust grille air recirculation
Stainless steel-coloured, 90 cm,
including installation fittings, height
adjustable.

Special accessories**AA 413 111**

2 activated charcoal filter
For air recirculation.

Installation accessories for air ducting
you will find at the pages 245 – 251.

Remote fan unit**AR 413**

- Powerful remote fan unit to combine with motorless appliances
- Efficient BLDC technology
- Compact and space-saving installation in a 10 cm high plinth

Output

Air output according to EN 61591.
max. 900 m³/h.
Sound power and sound pressure
depending on built-in situation.
Power levels depend on the motorless
appliances.

Features

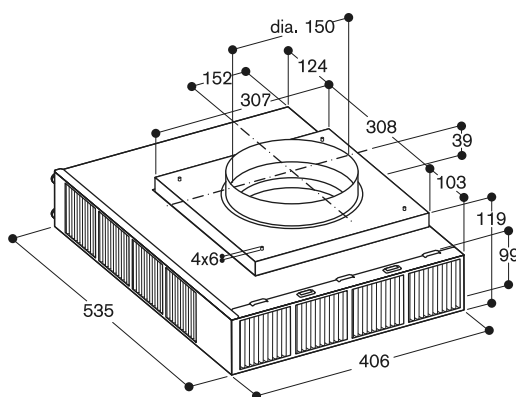
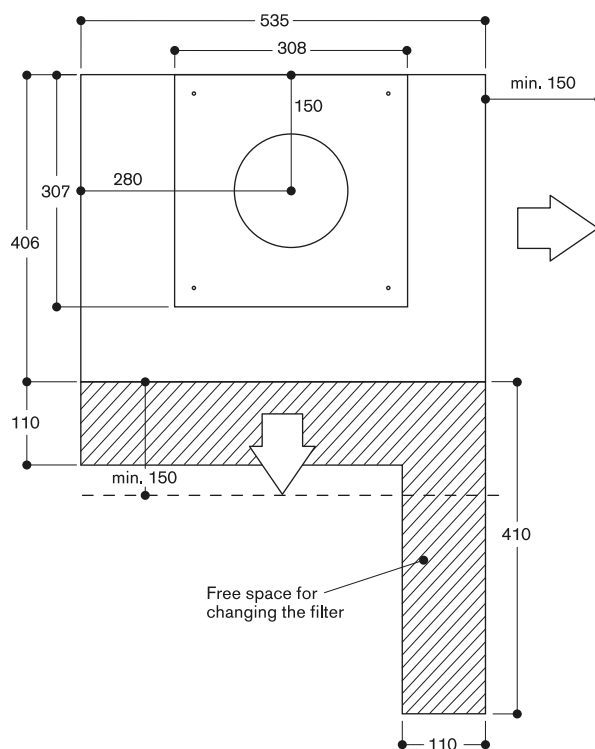
3 electronically controlled power levels
and 1 intensive mode.
Fan technology with highly efficient,
brushless DC motor (BLDC).
Steel housing, zinc-plated.
Pipe connection pieces on intake side:
1 x DN 150 round.
Retaining bracket for installation on the
ceiling or side of a cupboard enclosed.
2 activated charcoal filters enclosed ex
factory.
Filter is suitable for the preparation of
fish and seafood due to special
treatment.
Filter replacement interval:
1 year depending on cooking
frequency.

Planning notes

Remote fan unit in combination with
motorless appliances.
Connection to the respective
appliances via network cable.
Installation in the plinth with cut-out for
the air ducting in the furniture base.
Filter replacement interval: 1-1.5 years
depending on cooking frequency.
It must be possible to remove the plinth
to replace the filter.
Recommended minimum gap between
filter openings and cupboard wall if
there is no ventilation grille directly in
front: 15 cm.

Connection

Total connected load 180 W.
Connecting cable 1.8 m, pluggable.
Network cable 2 m.

**View from above**

Checklist for the modular ventilation appliances 400 series



• AC 402 181



• AC 482 181
• AC 472 181



• AR 400 142



• AR 401 142



• AR 403 122



• AL 400 192
• AL 400 122



• AR 400 142



• AR 401 142



• AR 403 122



• AR 413 122



• AR 410 110 only with
AL 400 122



• VL 414 112



• AR 400 142



• AR 401 142



• AR 403 122



• AR 413 122



• AR 410 110



• AI 442/AW 442
ONLY WHILE STOCKS LAST



• AR 400 142



• AR 401 142



• AR 400 143
ONLY WHILE STOCKS LAST

The external remote fan units have a network cable that is used to connect the motorless appliances of the 400 series and the motorless Vario downdraft ventilation 200 series.

Up to two remote fan units can be connected (e.g. with Vario ceiling ventilation 400 series), whereby an additional network cable is connected from one remote fan unit to the other remotefan unit.

Other control options

The external remote fan unit has an additional switching output (potential free contact) that can be used to connect other appliances, such as a ventilation system that is available at the site.

The respective ventilation planner is then responsible for the effective operation of the entire ventilation system.

The guarantee of electrical function is maintained as long as the respective specifications are observed.



Free hanging lift hood
• AC 270 101



Integrated
• AC 250 121



• AL 200 180
• AL 200 190



• VL 200 120



• AR 400 142



• AR 401 142



• AR 403 122



• AR 413 122



• AR 410 110



• AI 240 191 / AW 240 191



• AW 250 192



• AF 210 162
• AF 210 192



• AC 200 161
• AC 200 181
• AC 200 191

General planning notes

The aim of good ventilation system planning is to extract cooking vapours out of the kitchen area as completely and quickly as possible. To help you plan and install your system correctly, here are a few important notes on system planning from our ventilation experts.

The planning of a ventilation system is significantly determined by the air requirement and air output. The air requirement must be contrasted with the corresponding air output that a ventilation appliance can produce, while taking account of the influence of all the ventilation components involved.

Air requirement needed:

Please observe the local applicable building regulations when configuring ventilation solutions. The air output of a complete ventilation system must be designed according to the air requirement needed. For this, the size of the kitchen and a corresponding air change rate for the volume of space are often used as the basis for planning. We recommend this method only if the distance between the ventilation system and the cooktop is greater than 1.20 m, that is to say, for ceiling ventilation.

- For air extraction operation, the air requirement for the air exchange rate is calculated using a factor of 10.
- However, the calculation is made using a factor of 12 in kitchens where special cooking appliances such as the electric grill, Teppan Yaki or wok are used.
- For air recirculation, the air requirement for the air exchange rate is generally calculated using a factor of 12.

If the distance between the ventilation system and the cooktop is less than 1.20 metres, the factors listed below must be taken into account to ensure that most of the cooking vapours are trapped as soon as they rise from the cooktop:

- **The size and architecture of the kitchen:** As the size of the room increases, the movements of air in the room also increase and, as a result, the air requirement becomes greater.
- **The cooking appliances:** The choice of cooktop is the decisive influencing factor. Every cooktop produces different types and amounts of cooking vapours. The wider the cooktop, the higher the output of the ventilation system should be. Above all, the ventilation system must have a sufficient reserve capacity, if special Vario cooking appliances, such as a Teppan Yaki, wok or electric grill, are to be installed, because such appliances can be expected to produce a higher amount of cooking vapours. We therefore also recommend that these special cooking appliances are installed, if possible, in the centre of the cooktop configuration and not at the edge.
- **The type of ventilation system:** Every type of ventilation system has particular characteristics which influence the air requirement needed. Ventilation systems, such as downdraft ventilation and table ventilation, are characterised by extracting vapours directly from the cooktop. As they rise up, the cooking vapours can therefore not spread as far in the ambient air. In this case, the air output required is usually less than for those types of ventilation system that are 80 cm or further away from the cooktop.
- **The operation mode:** All Gaggenau ventilation systems can be operated both in exhaust air mode and air recirculation mode, except the ceiling ventilation 200 series AC 230 and AC 270, which are exclusively available in recirculation mode. It should be noted that, in air recirculation mode, the additional activated charcoal air filter leads to a reduction in air output in comparison to exhaust air mode. The larger the surface of the activated charcoal air filter, the more the ventilation system bears comparison in its extraction and noise behaviour with an exhaust air solution. In air extraction mode, the actual air output depends not only on the fan output, but also significantly on the duct system.

Important influencing factors on the air output:

- The fans: Gaggenau ventilation systems are equipped with particularly powerful fans, or they can be combined with correspondingly powerful remote fan units for exhaust air or air recirculation mode. These fans are also very pressure-stable. They overcome possible pressure losses caused by a ducting system and work highly effectively at a low noise level.
- Ducting and installation: To achieve optimum results, the following points should be observed during installation:
 1. Install duct bends with a minimum clearance of 30 cm from the exhaust air opening.
 2. Avoid reductions in cross sections.
 3. For duct bends, use bends that are as wide as possible.
 4. Only install ducts that have a smooth and flat inner surface.
 5. Use exhaust air pipes with a diameter of at least 125 mm.
 6. Pay attention to the use of a short ducting paths as possible.
 7. Fit wall outlets that have wide fins, wide-meshed grilles and a low back-pressure.
 8. Ensure sufficient supply air.



AC 270 101

Gaggenau Black
Width 105 cm
Air recirculation
Delivery with ceiling mounting plate

Special accessories

AA 200 121

3 activated charcoal filter
For air recirculation.

AA 200 122

3 regenerable activated charcoal filter
For air recirculation.

Ceiling ventilation 200 series

AC 270

- Height adjustable ceiling ventilation, when not in use it can be completely lifted onto the ceiling or integrated in the ceiling
- Precision crafted, solid aluminium design
- Energy-saving, low-noise fan
- Rim extraction
- Function for automatic, sensor-controlled power adjustment depending on the build-up of cooking vapours
- Easy installation on the ceiling with provided ceiling mounting plate
- Easy maintenance of the filters
- Dimmable, neutral white LED light for ideal illumination of the cooktop
- Air recirculation

Output

Performance and noise level, output level 3/Intensive:

Air output according to EN 61591.

Sound power level according to EN 60704-3.

Odour reduction for air recirculation in accordance with EN 61591.

Air recirculation:

515 / 680 m³/h.

67 / 74 dB (A) re 1 pW.

Odour reduction: > 90 %

Features

3 electronically controlled power levels and 1 intensive mode.

Remote control is included in delivery.

Automatic function with sensor-controlled run-on function.

Interval ventilation, 6 min.

Grease filter saturation indicator.

Activated charcoal filter saturation indicator.

3 metal grease filters, dishwasher-safe.

3 activated charcoal filters.

The activated charcoal filter is suitable for the preparation of fish and seafood due to special treatment.

Protection against allergen particles due to special treatment.

Gaggenau Black anodized aluminium.

Fan technology with highly efficient, brushless DC motor (BLDC).

Easy mounting system for simple installation and alignment.

Neutral white LED light (3500 K), continuously dimmable.

Light colour in different white tones (2700 – 5000 K) can be adjusted via Home Connect.

Lamp output 6 x 3 W.

Illuminance 1156 lx continuously dimmable.

Cooktop-based ventilation control (with suitable cooktop).

Home network integration for digital services (Home Connect) wireless via WiFi.

The use of the Home Connect functionality depends on the Home Connect services, which are not available in every country. For further information please check: home-connect.com.

Please read additional information on Home Connect on page 345.

Planning notes

Installation directly on the ceiling with provided ceiling mounting plate. Recommended ceiling height up to 3.50 m.

The ceiling ventilation has to be handled as a room ventilation when distance to cooktop is larger than 120 cm since the direct capture of vapours will be limited.

The needed airflow is given by an air exchange rate of 10 to 12 times the room volume.

A suitable load-bearing substructure is required for securing the extractor hood. Never fit the appliance directly onto plasterboard or similar lightweight construction materials.

Clearance above gas appliances min. 70 cm (more than total load gas 12 kW min. 75 cm).

Clearance above electric appliances min. 70 cm.

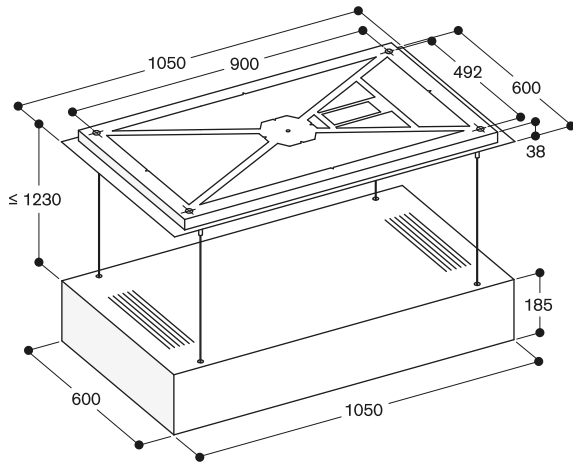
Air recirculation is not recommended in combination with Vario electric grill.

Appliance weight: approx. 69 kg.

Connection

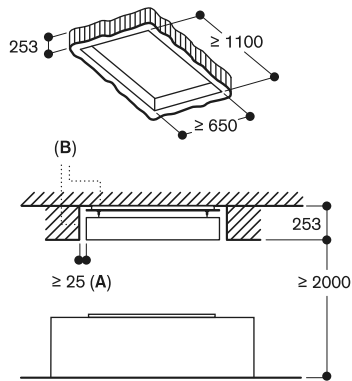
Total connected load 250 W.

Plan a connection cable.



measurements in mm

Flush integration in the ceiling



A: ≥ 25 mm all around

B: Depending on the cooking method, residual moisture may escape from the ceiling ventilation even after use. For preventive purposes, we recommend treating the recess in the ceiling with an anti-mould paint.

measurements in mm



AC 250 121

Gaggenau Light Bronze

Width 120 cm

Air extraction / Air recirculation



Included in the price

1 Remote control

Special accessories

AA 010 811

Air recirculation module inclusive

1 activated charcoal filter

Stainless steel

For air recirculation.

AA 012 811

Air recirculation module inclusive

1 activated charcoal filter

White

For air recirculation.

AA 200 110

1 activated charcoal filter with high efficient odour reduction due to increased surface.

For air recirculation module

AA 200 812/816 and AA 010 811/

AA 012 811.

AA 200 112

1 regenerable activated charcoal filter

For air recirculation module

AA 200 812/816 and AA 010 811/

AA 012 811.

Installation accessories for air ducting you will find at the pages 245 – 251.

Ceiling ventilation 200 series

AC 250

- Discreet integration into the architecture of the kitchen
- Energy-saving, low-noise fan
- Rim extraction
- Function for automatic, sensor-controlled power adjustment depending on the build-up of cooking vapours
- Easy and time saving installation directly in the ceiling
- Easy maintenance of the filters
- Air extraction / Air recirculation

Output

Performance and noise level,

output level 3/Intensive:

Air output according to EN 61591.

Sound power level according to

EN 60704-3.

Odour reduction for air recirculation in

accordance with EN 61591.

Air extraction:

458 / 933 m³/h.

56 / 70 dB (A) re 1 pW.

Air recirculation:

419 / 637 m³/h.

63 / 72 dB (A) re 1 pW.

Features

3 electronically controlled power levels and 1 intensive mode.

Remote control is included in delivery.

Automatic function with sensor-controlled run-on function.

Interval ventilation, 6 min.

Grease filter saturation indicator.

Activated charcoal filter saturation indicator.

Metal grease filter, dishwasher-safe.

Massive aluminium anodized

Gaggenau Light Bronze filter cover.

Fan technology with highly efficient, brushless DC motor (BLDC).

Turnable blower, air outlet on all four sides possible.

Connecting pipe DN 150 round.

Cooktop-based ventilation control (with suitable cooktop).

Home network integration for digital services (Home Connect) wireless via WiFi.

The use of the Home Connect functionality depends on the Home Connect services, which are not available in every country. For further information please check: home-connect.com.

Please read additional information on Home Connect on page 345.

Consumption data

Energy efficiency class A+ at a range of energy efficiency classes from A+++ to D.

Energy consumption 35.2 kWh/year.

Ventilation efficiency class A.

Grease filter efficiency class E.

Sound level min. 41 dB / max. 56 dB normal mode.

Planning notes

For installation in suspended ceiling. The ceiling ventilation has to be handled as a room ventilation when distance to cooktop is larger than 120 cm since the direct capture of vapours will be limited. The needed airflow is given by an air exchange rate of 10 to 12 times the room volume. A suitable load-bearing substructure is required for securing the extractor hood. Never fit the appliance directly onto plasterboard or similar lightweight construction materials.

Recommended minimum gap between appliance and external filter module: 100 cm.

For air recirculation an external air recirculation module is required.

Clearance above gas appliances min. 65 cm (more than total load gas 12 kW min. 70 cm).

Clearance above electric appliances min. 65 cm.

Air recirculation is not recommended in combination with Vario electric grill.

Please ensure when installing the

exhaust air ducting that no sharp

bends are caused and that the

cross-section of the ducting is not constricted in any way.

When installing a ventilation hood with air extraction mode and a chimney-vented fireplace, the power supply line of the ventilation appliance needs a

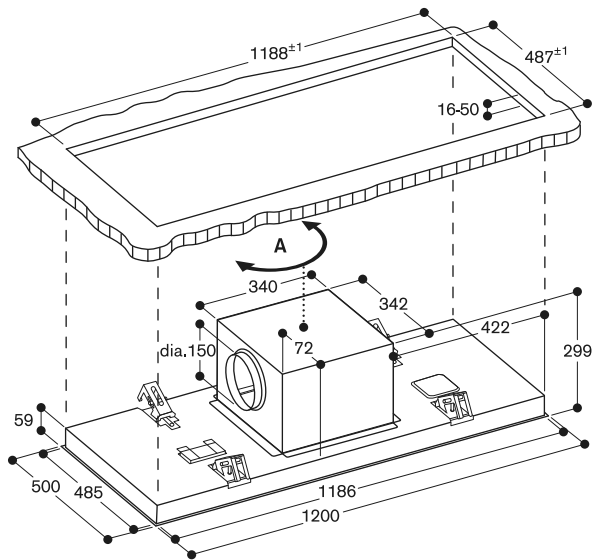
suitable safety switch.

Appliance weight: approx. 37 kg.

Connection

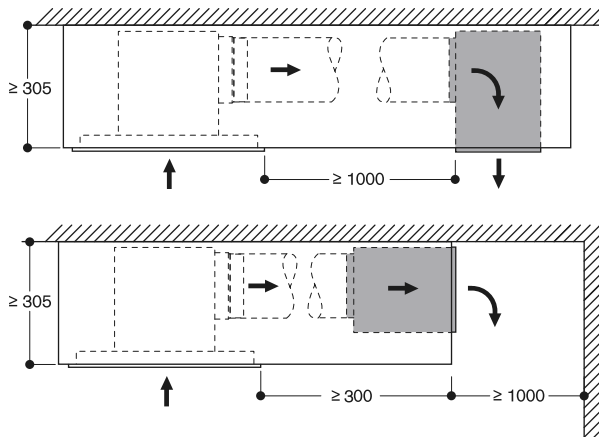
Total connected load 250 W.

Connecting cable 1.3 m with plug.



A: The ventilator outlet can be turned in all four directions, measurements in mm

AC 250 with air recirculation module



measurements in mm



AL 200 180

Gaggenau Black
Width 80 cm
Air extraction / Air recirculation
Delivery without ducting



Installation accessories

AA 200 900

Kit for surface mounted installation
AL 200

Including 2 trims, each 5 mm width
Gaggenau Black

AA 200 910

Installation kit for fan unit at a distance
(3m maximum)

VA 200 080

Installation kit for installation in a single
worktop cut-out

Special accessories

AA 200 100

Activated charcoal filters

AA 200 880

Air recirculation module including
activated charcoal filters
Odour reduction: > 90 %.

AA 200 882

Regenerable air recirculation module
including activated charcoal filters
Odour reduction: > 75 %.

Installation accessories for air ducting
you will find at the pages 245 – 251.

Table ventilation 200 series

AL 200

- Extendable table ventilation, when not in use can be completely lowered into the worktop
- Perfect cooking and ventilation combination with frameless induction cooktops 80 cm wide for flush mounting in a single cut-out
- Transparent ventilation screen for discreet integration in the kitchen space
- Ambient lighting thru the glass edges
- Guided Air technology ensures high vapour catch rate across the whole cooktop

Output

Performance and noise level, output level 3/Intensive:

Air output according to EN61591.

Sound power level according to EN60704-3. Odour reduction for air recirculation in accordance with EN61591.

Air extraction:

501 / 775 m³/h.

62 / 70 dB (A) re 1 pW.

Air recirculation:

447 / 562 m³/h.

65 / 70 dB(A) re 1 pW.

Features

White ambient lighting thru the glass edges, which can be changed to any color via the Home Connect App. Cooktop-based ventilation control. Automatic function with sensor-controlled run-on function.

3 electronically controlled power levels and 1 intensive mode.

Grease filter saturation indicator.

Activated charcoal filter saturation indicator.

2 large-scale metal grease filters included, easy to remove, dishwasher-safe.

Overflow capacity 170 ml in grease filter. Additional capacity 600 ml in the remote fan unit.

Activated charcoal filter easily removable from above for air recirculation system. Gaggenau Black anodized aluminium frame.

1 user interface to set the power levels and 1 user interface to control the Guided Air technology.

Fan technology with highly efficient, brushless DC motor (BLDC).

Flexible installation of the fan unit at the front (for a compact wall solution), at the back (without loss of drawer space), or at a distance from the appliance.

Home network integration for digital services (Home Connect) wireless via WiFi.

The use of the Home Connect functionality depends on the Home Connect services, which are not available in every country. For further information please check: home-connect.com.

Please read additional information on Home Connect on page 345.

Consumption data

Energy efficiency class A at a range of energy efficiency classes from A+++ to D.

Energy consumption 36.9 kWh/year.

Ventilation efficiency class A.

Illumination efficiency class -.

Grease filter efficiency class B.

Sound level min. 39 dB / max. 62 dB normal mode.

Planning notes

Not for use with gas cooktops.

Compatible with frameless cooktops 400 series (CX 482) or 200 series (CI 282 / CI 283), in a single worktop cut-out, for flush mounting.

For installation in a single worktop cut-out the installation accessory VA 200 080 must be placed between the appliances. This includes a connection strip and furniture supports that ensure cabinet stability.

Compatible with induction cooktops 400 series (CX 482, VI 482) or 200 series (CI 282 / CI 283), in 2 separate cut-outs, for surface mounted installation.

For surface mounted installation the accessory AA 200 900 is required.

The table ventilation can be installed in the cabinet or between two (e.g. for an island installation deeper than 100 cm). Width of the cabinets 90 cm, 100 cm or 120 cm.

No upper cabinets should be installed above the table ventilation to maintain optimum performance.

The following distance should be observed:

- 65 cm from the table ventilation to open shelves
- 50 cm left and right of the table ventilation to the wall or neighbouring tall cabinets.
- 5 cm from the table ventilation frame to the wall.
- 2 cm from the Guided Air suction area to a cabinet wall.

Installation is possible in worktops made of stone, synthetics or solid wood. Heat resistance and watertight sealing of the cut edges must be observed. Concerning other materials please consult the worktop manufacturer. Worktop thickness recommended for flush installation in a single cut-out: minimum 16mm - maximum 45mm. The bearing capacity and stability, in the case of thinner worktops in particular, must be supported using suitable substructures. Take into account the appliance weight and additional loads.

Whatever installation situation, the fan unit should always be accessible.

To install the fan unit at a distance, the installation kit AA 200 910 is required (with spare covers for closing air outlets). Maximum distance between the table ventilation and the fan unit 3 m.

In air extraction mode a one-way flap with a maximum opening pressure of 65 Pa should be installed.

In air extraction mode, always ensure adequate fresh air in the room if the appliance is being operated at the same time as a chimney-vented fireplace.

The pressuredrop resistant blower allows for ductings up to 8 m with 3 x 90° bends while keeping sufficient performance.

For optimum performance in air recirculation we recommend an outflow surface area of at least 400 cm².

For air recirculation an air recirculation module is required.

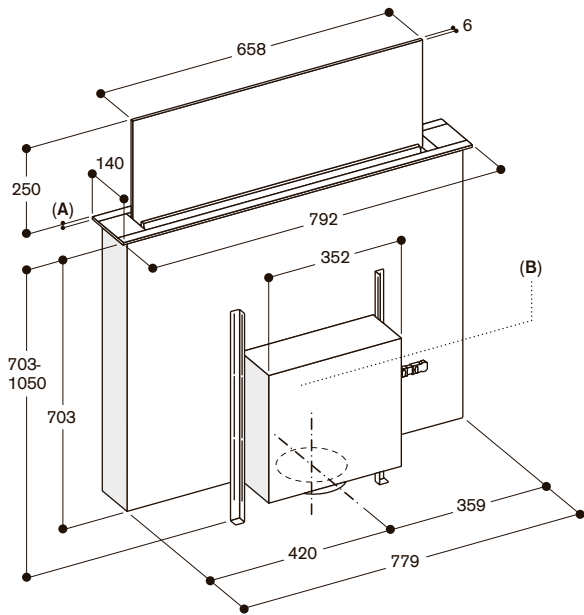
Please read additional planning notes on page 216 – 217.

Connection

Total connected load 300 W.

Connecting cable 1.3 m, with plug.

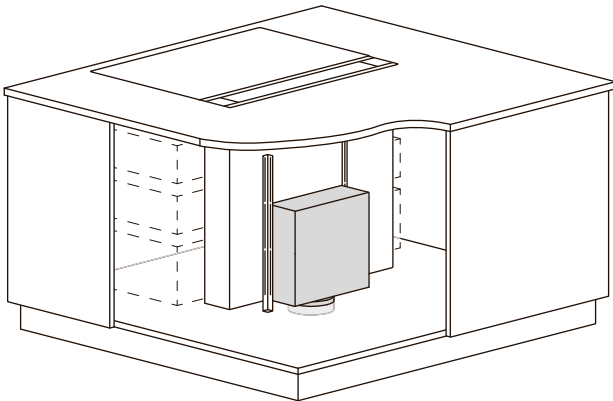
Power consumption standby/display off 0.4 W.



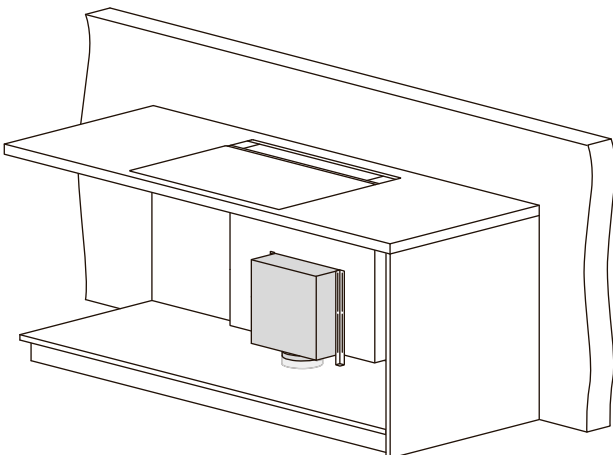
A: 5.5 mm
B: Flexible installation of the fan unit at the front, at the back or at a distance from the appliance (installation kit required - max. distance 3000 mm)
 Whatever installation situation, the fan unit should always be accessible

Measurements in mm

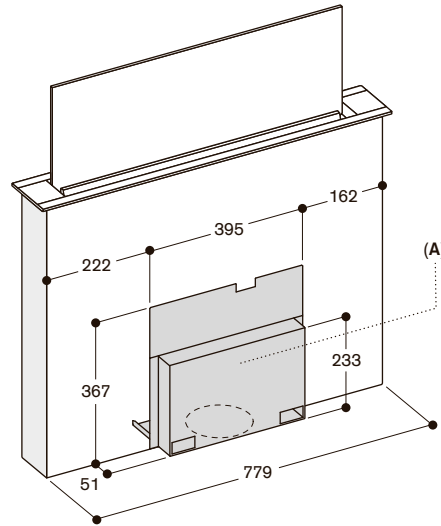
Planning example – Fan unit at the back



Planning example – Fan unit at the front



AL 200 180 with AA 200 910

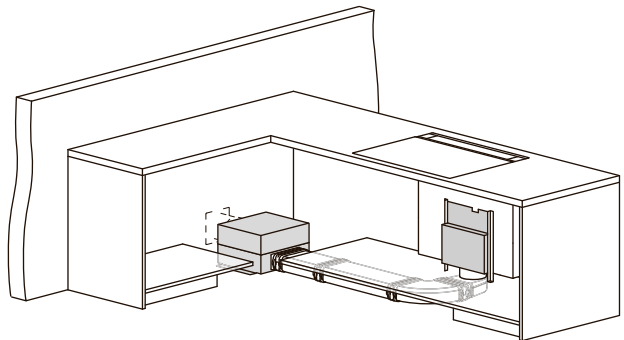


A: Access to the complete cover must be ensured even after installation

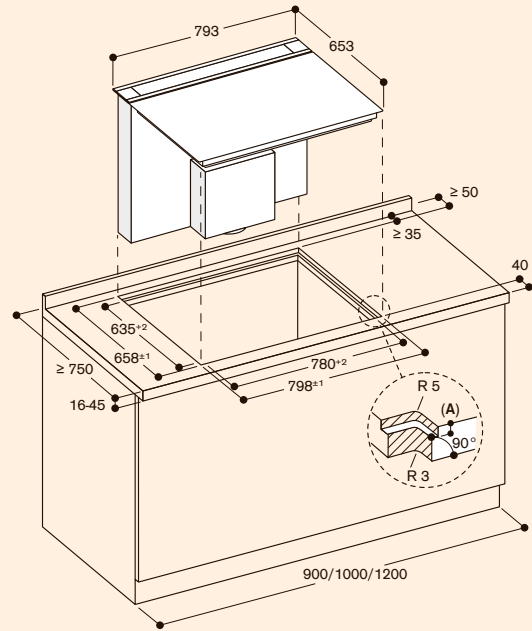
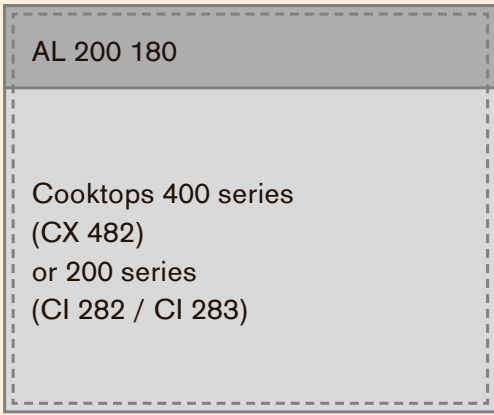
Cover can be installed on the front or the rear from the appliance

Measurements in mm

Planning example – Fan unit at a distance with AA 200 910

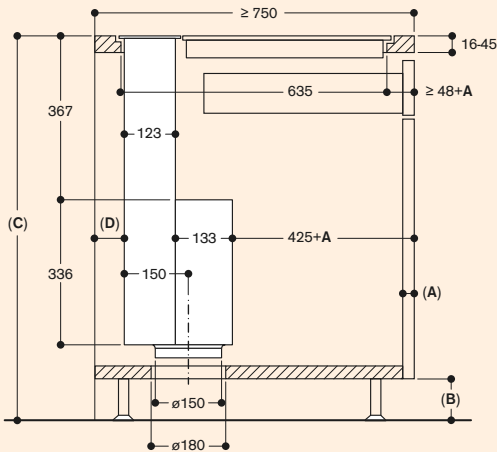


Combination with frameless induction cooktop in a single cut-out
 Flush installation



A: 6.5^{+0.5} mm
 Measurements in mm

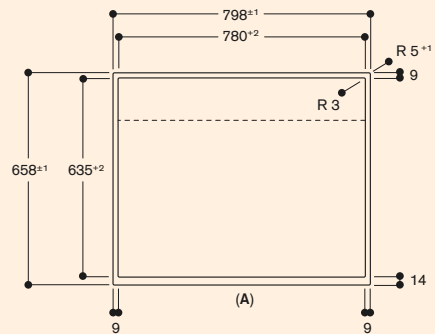
Side view



- A: Front thickness
- B: ≥ 60 mm for air recirculation
 ≥ 100 mm for air extraction with ducting in the plinth
- C: ≥ 850 mm for air extraction with ducting in the plinth
- D: ≥ 20 mm from the Guided Air suction area to a cabinet wall

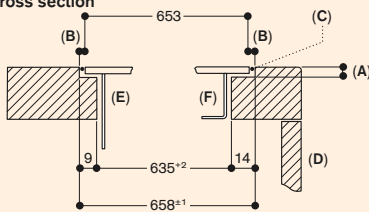
Measurements in mm

View from above



A: Front
 Measurements in mm

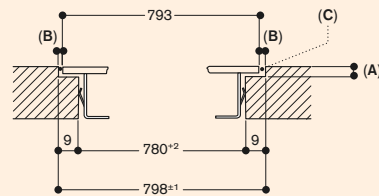
Cross section



- A: 6.5^{+0.5} mm
- B: 2.5 mm
- C: Fill with silicone
- D: Front
- E: Table ventilation
- F: Induction cooktop

Measurements in mm

Longitudinal section



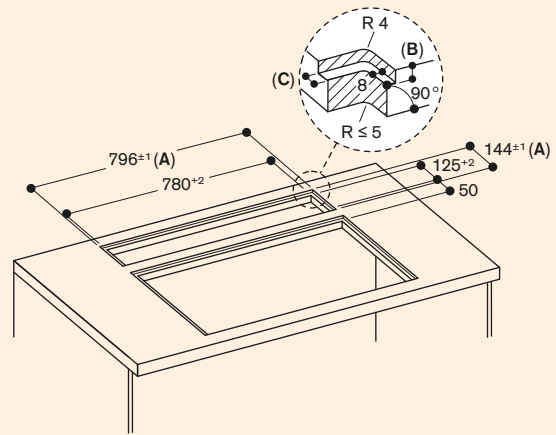
- A: 6.5^{+0.5} mm
- B: 2.5 mm
- C: Fill with silicone

Measurements in mm

Combination with frameless induction cooktop in 2 separate cut-outs
Flush installation

AL 200 180

Cooktops 400 series
(CX 482, VI 482)
or 200 series
(CI 282 / CI 283)



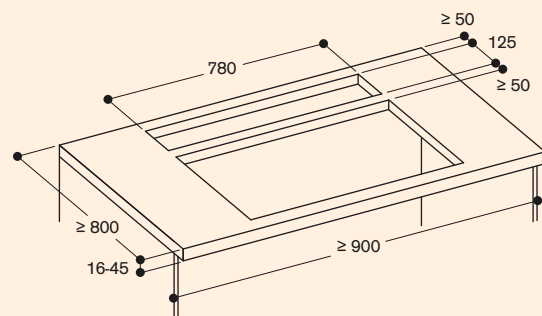
A: Incl. 2 mm silicone joint all around
B: 5.5 mm
C: 9.5 mm

Measurements in mm

Combination with induction cooktop in 2 separate cut-outs
Surface installation

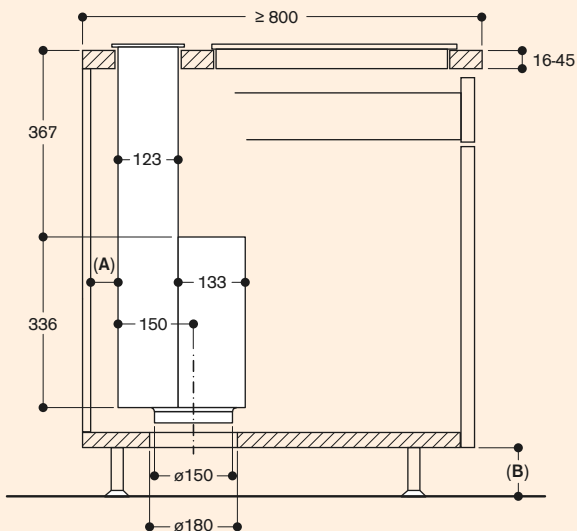
AL 200 180

Cooktops 400 series
(CX 482, VI 482)
or 200 series
(CI 282 / CI 283)

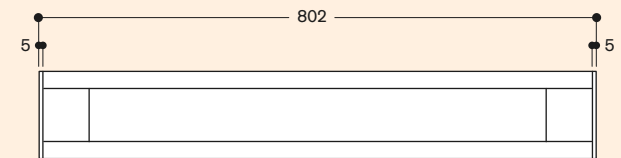


Measurements in mm

Side view



View from above



Measurements in mm

A: ≥ 20 mm from the Guided Air suction area to a unit wall
B: ≥ 60 mm for air recirculation
≥ 100 mm for air extraction with ducting in the plinth

Measurements in mm



AL 200 190
Gaggenau Black
Width 90 cm
Air extraction / Air recirculation
Delivery without ducting



Installation accessories

AA 200 900
Kit for surface mounted installation
AL 200
Including 2 trims, each 5 mm width
Gaggenau Black

AA 200 910
Installation kit for fan unit at a distance
(3m maximum)

VA 200 090
Installation kit for installation in a single
worktop cut-out

Special accessories

AA 200 100
Activated charcoal filters

AA 200 890
Air recirculation module including
activated charcoal filters
Odour reduction: > 90 %

AA 200 892
Regenerable air recirculation module
including activated charcoal filters
Odour reduction: > 75 %.

Installation accessories for air ducting
you will find at the pages 245 – 251.

Table ventilation 200 series

AL 200

- Extendable table ventilation, when not in use can be completely lowered into the worktop
- Perfect cooking and ventilation combination with frameless induction cooktops 90 cm wide for flush mounting in a single cut-out
- Transparent ventilation screen for discreet integration in the kitchen space
- Ambient lighting thru the glass edges
- Guided Air technology ensures high vapour catch rate across the whole cooktop

Output

Performance and noise level, output level 3/Intensive:
Air output according to EN 61591.
Sound power level according to EN 60704-3. Odour reduction for air recirculation in accordance with EN 61591.
Air extraction:
519 / 833 m³/h.
62 / 71 dB (A) re 1 pW.
Air recirculation:
472 / 620 m³/h.
65 / 71 dB(A) re 1 pW.

Features

White ambient lighting thru the glass edges, which can be changed to any color via the Home Connect App.
Cooktop-based ventilation control.
Automatic function with sensor-controlled run-on function.
3 electronically controlled power levels and 1 intensive mode.
Grease filter saturation indicator.
Activated charcoal filter saturation indicator.
2 large-scale metal grease filters included, easy to remove, dishwasher-safe.
Overflow capacity 170 ml in grease filter. Additional capacity 600 ml in the remote fan unit.
Activated charcoal filter easily removable from above for air recirculation system.
Gaggenau Black anodized aluminium frame.
1 user interface to set the power levels and 1 user interface to control the Guided Air technology.
Fan technology with highly efficient, brushless DC motor (BLDC).
Flexible installation of the fan unit at the front (for a compact wall solution), at the back (without loss of drawer space), or at a distance from the appliance.

Home network integration for digital services (Home Connect) wireless via WiFi.
The use of the Home Connect functionality depends on the Home Connect services, which are not available in every country. For further information please check: home-connect.com.

Please read additional information on Home Connect on page 345.

Consumption data

Energy efficiency class A at a range of energy efficiency classes from A+++ to D.
Energy consumption 37.8 kWh/year.
Ventilation efficiency class A.
Illumination efficiency class -.
Grease filter efficiency class C.
Sound level min. 41 dB / max. 62 dB normal mode.

Planning notes

Not for use with gas cooktops.
Compatible with frameless cooktops 400 series (CX 492, VI 492) or 200 series (CI 292), in a single worktop cut-out, for flush mounting.
For installation in a single worktop cut-out the installation accessory VA 200 090 must be placed between the appliances. This includes a connection strip and furniture supports that ensure cabinet stability.
Compatible with induction cooktops 400 series (CX 492, VI 492) or 200 series (CI 292), in 2 separate worktop cut-outs, for surface mounted installation.
For surface mounted installation the accessory AA 200 900 is required.

The table ventilation can be installed in the cabinet or between two (e.g. for an island installation deeper than 100 cm).
Width of the cabinets 90 cm, 100 cm or 120 cm.
No upper cabinets should be installed above the table ventilation to maintain optimum performance.
The following distance should be observed:
- 65 cm from the table ventilation to open shelves
- 50 cm left and right of the table ventilation to the wall or neighbouring tall cabinets.
- 5 cm from the table ventilation frame to the wall.
- 2 cm from the Guided Air suction area to a cabinet wall.

Installation is possible in worktops made of stone, synthetics or solid wood. Heat resistance and watertight sealing of the cut edges must be observed. Concerning other materials please consult the worktop manufacturer.
Worktop thickness recommended for flush installation in a single cut-out: minimum 16 mm (with CX 492), 30 mm (with VI 492) - maximum 45mm.
The bearing capacity and stability, in the case of thinner worktops in particular, must be supported using suitable substructures. Take into account the appliance weight and additional loads.

Whatever installation situation, the fan unit should always be accessible.
To install the fan unit at a distance, the installation kit AA 200 910 is required (with spare covers for closing air outlets). Maximum distance between the table ventilation and the fan unit 3 m.

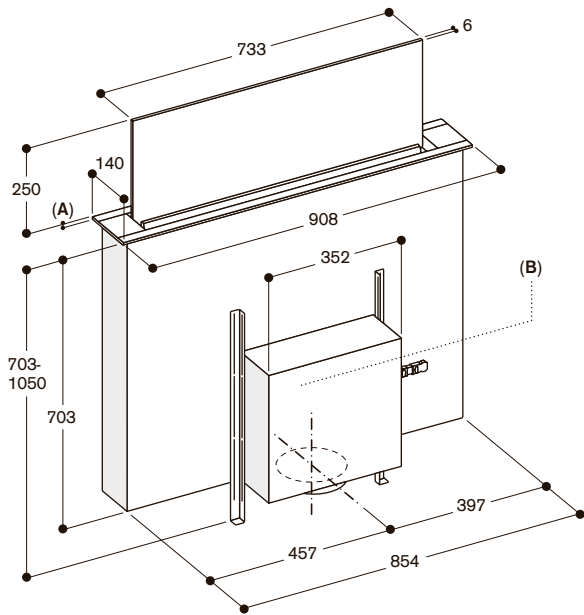
In air extraction mode a one-way flap with a maximum opening pressure of 65 Pa should be installed.
In air extraction mode, always ensure adequate fresh air in the room if the appliance is being operated at the same time as a chimney-vented fireplace.

The pressuredrop resistant blower allows for ductings up to 8 m with 3 x 90° bends while keeping sufficient performance.
For optimum performance in air recirculation we recommend an outflow surface area of at least 400 cm².
For air recirculation an air recirculation module is required.

Please read additional planning notes on page 220 – 223.

Connection

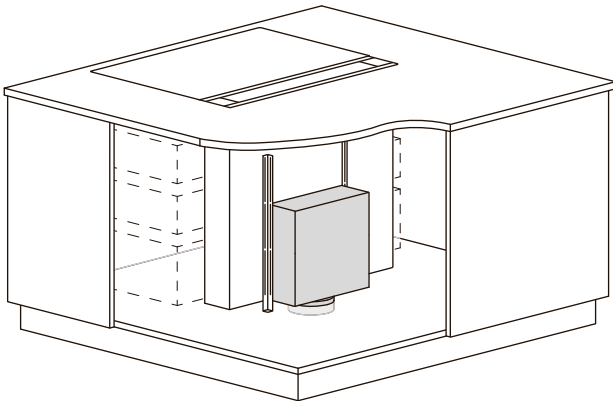
Total connected load 300 W.
Connecting cable 1.3 m, with plug.
Power consumption standby/display off 0.4 W.



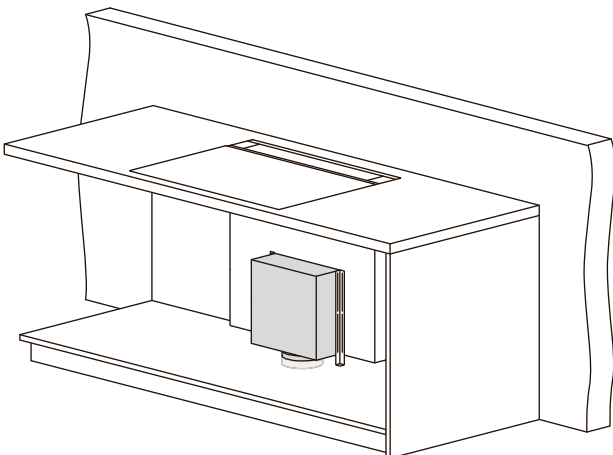
A: 5.5 mm
B: Flexible installation of the fan unit at the front, at the back or at a distance from the appliance (installation kit required - max. distance 3000 mm)
 Whatever installation situation, the fan unit should always be accessible

Measurements in mm

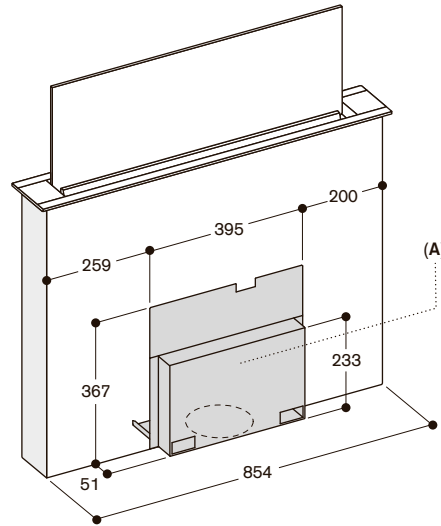
Planning example – Fan unit at the back



Planning example – Fan unit at the front



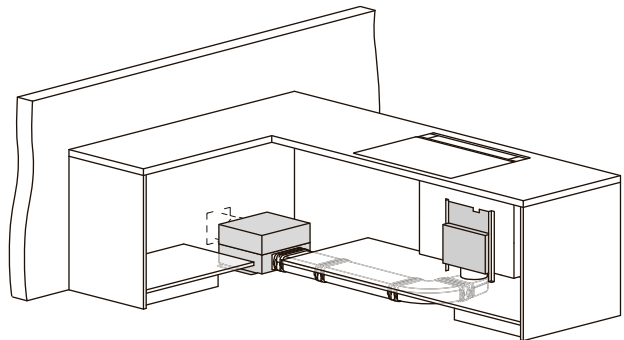
AL 200 190 with AA 200 910



A: Access to the complete cover must be ensured even after installation
 Cover can be installed on the front or the rear from the appliance

Measurements in mm

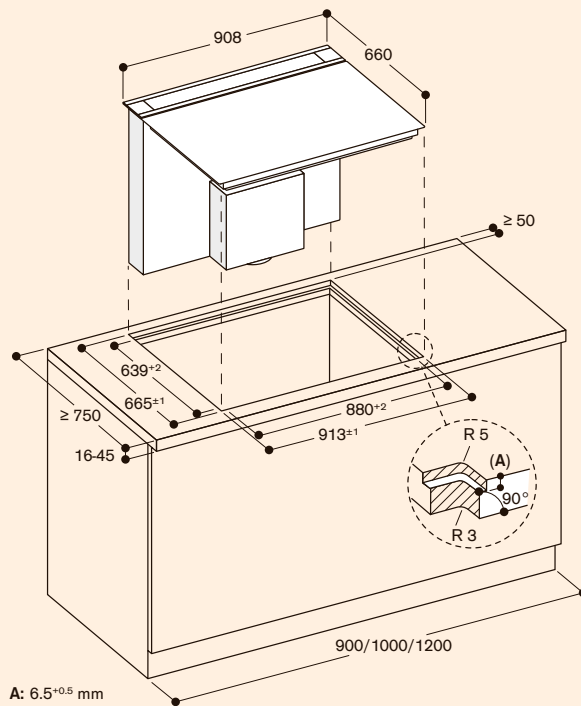
Planning example – Fan unit at a distance with AA 200 910



Combination with frameless induction cooktop in a single cut-out
Flush installation

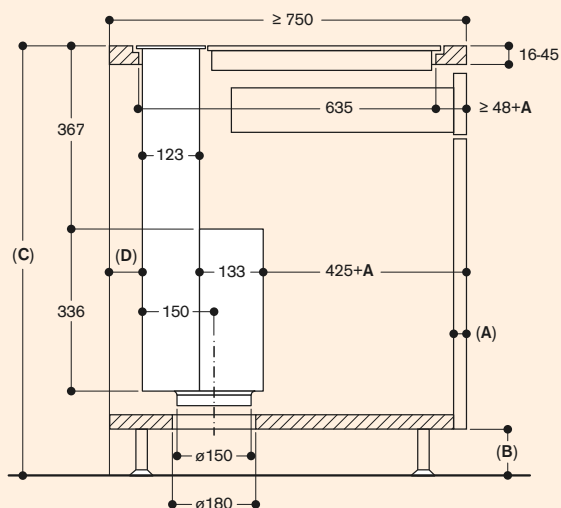
AL 200 190

Cooktops 400 series
(CX 492)
or 200 series (CI 292)



A: $6.5^{+0.5}$ mm
Measurements in mm

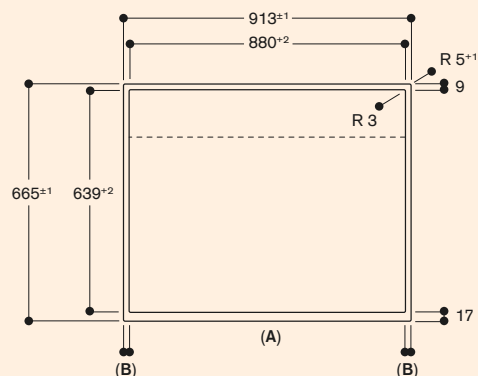
Side view



- A: Front thickness
- B: ≥ 60 mm for air recirculation
- ≥ 100 mm for air extraction with ducting in the plinth
- C: ≥ 850 mm for air extraction with ducting in the plinth
- D: ≥ 20 mm from the Guided Air suction area to a cabinet wall

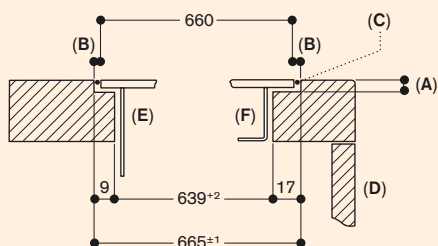
Measurements in mm

View from above



- A: Front
 - B: 16.5 mm
- Measurements in mm

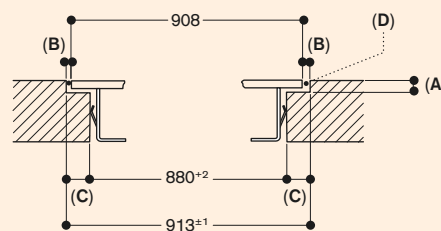
Cross section



- A: $6.5^{+0.5}$ mm
- B: 2.5 mm
- C: Fill with silicone
- D: Front
- E: Table ventilation
- F: Induction cooktop

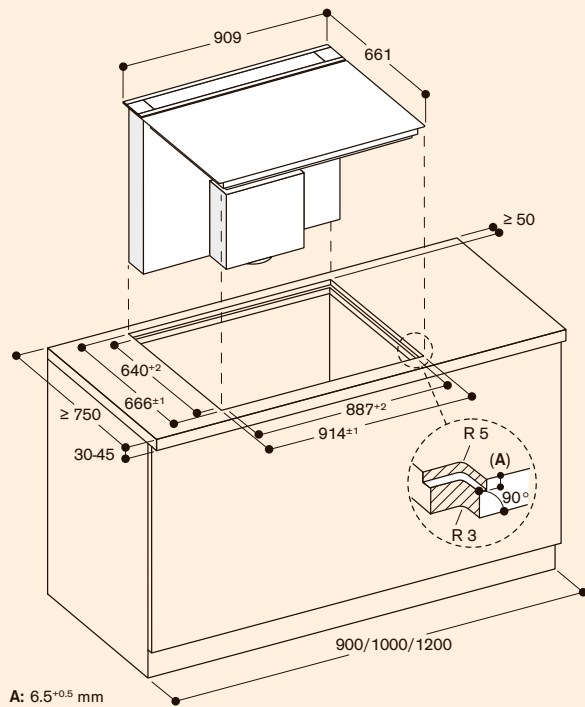
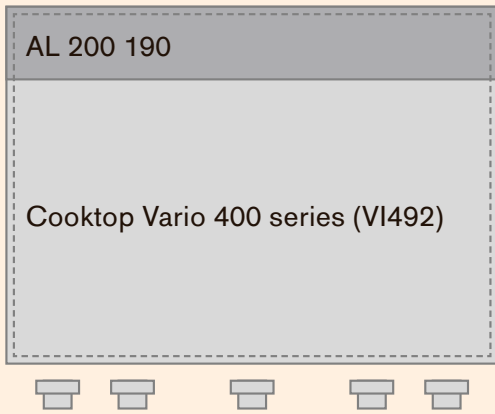
Measurements in mm

Longitudinal section



- A: $6.5^{+0.5}$ mm
 - B: 2.5 mm
 - C: 16.5 mm
 - D: Fill with silicone
- Measurements in mm

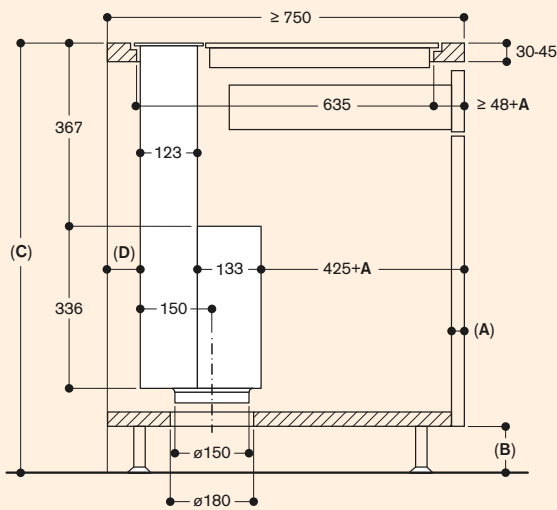
Combination with frameless induction cooktop in a single cut-out
Flush installation



A: 6.5^{+0.5} mm

Measurements in mm

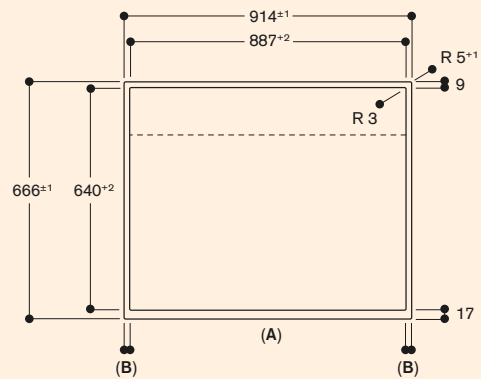
Side view



- A: Front thickness
- B: ≥ 60 mm for air recirculation
- ≥ 100 mm for air extraction with ducting in the plinth
- C: ≥ 850 mm for air extraction with ducting in the plinth
- D: ≥ 20 mm from the Guided Air suction area to a cabinet wall

Measurements in mm

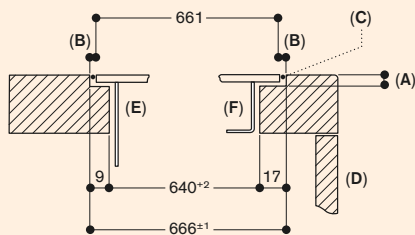
View from above



- A: Front
- B: 13.5 mm

Measurements in mm

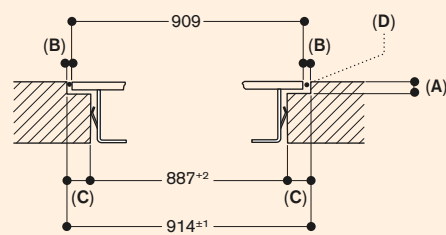
Cross section



- A: 6.5^{+0.5} mm
- B: 2.5 mm
- C: Fill with silicone
- D: Front
- E: Table ventilation
- F: Induction cooktop

Measurements in mm

Longitudinal section



- A: 6.5^{+0.5} mm
- B: 2.5 mm
- C: 13.5 mm
- D: Fill with silicone

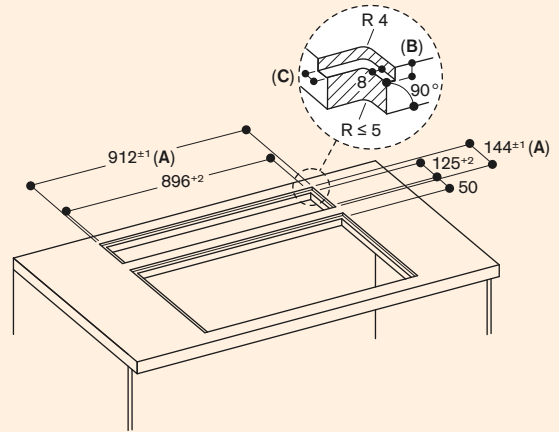
Measurements in mm

Combination with frameless induction cooktops in 2 separate cut-outs

Flush installation

AL 200 190

Cooktops 400 series
(CX 492, VI 492)
or 200 series (CI 292)



A: Incl. 2 mm silicone joint all around
B: 5.5 mm
C: 9.5 mm

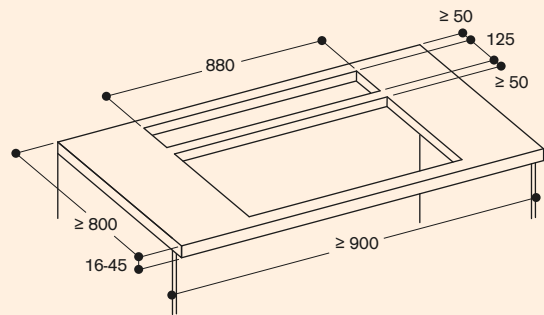
Measurements in mm

Combination with induction cooktop in 2 separate cut-outs

Surface installation

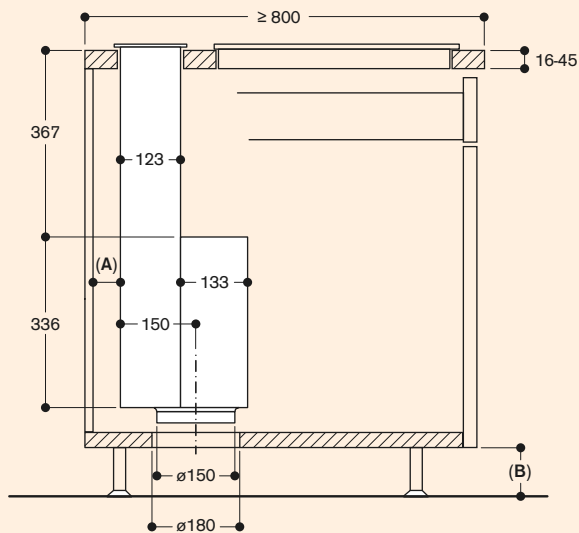
AL 200 190

Cooktops 400 series
(CX 492, VI 492)
or 200 series (CI 292)

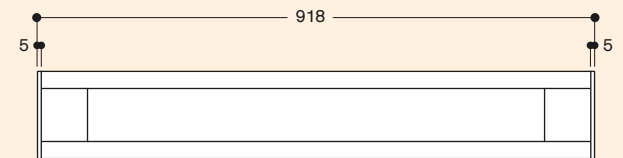


Measurements in mm

Side view



View from above

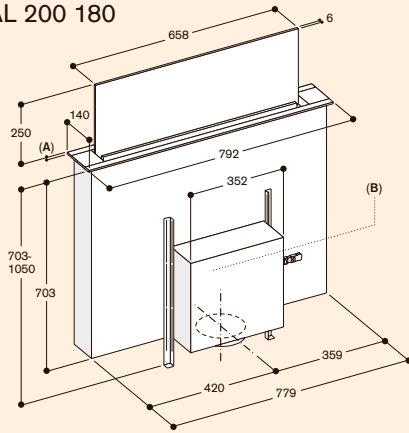


Measurements in mm

A: ≥ 20 mm from the Guided Air suction area to a unit wall
B: ≥ 60 mm for air recirculation
≥ 100 mm for air extraction with ducting in the plinth

Measurements in mm

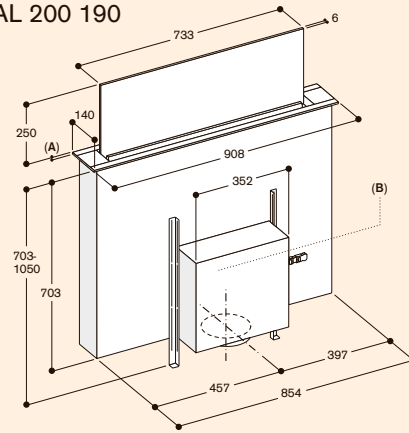
AL 200 180



A: 5.5 mm
 B: Flexible installation of the fan unit at the front, at the back or at a distance from the appliance (installation kit required - max. distance 3000 mm)
 Whatever installation situation, the fan unit should always be accessible

Measurements in mm

AL 200 190

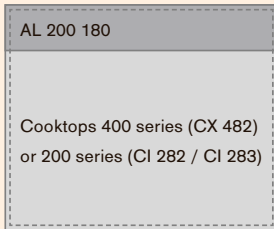


A: 5.5 mm
 B: Flexible installation of the fan unit at the front, at the back or at a distance from the appliance (installation kit required - max. distance 3000 mm)
 Whatever installation situation, the fan unit should always be accessible

Measurements in mm

Flush installation

Combination with frameless induction cooktops in a single cut-out

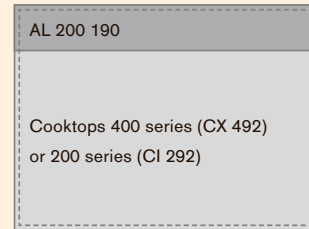


For cut-out dimensions, see page 256

Installation accessory
 Installation kit VA 200 080

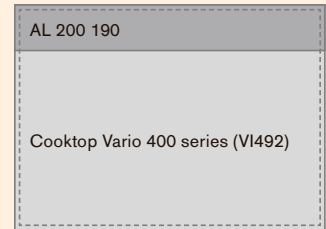
Flush installation

Combination with frameless induction cooktops in a single cut-out



For cut-out dimensions, see page 260

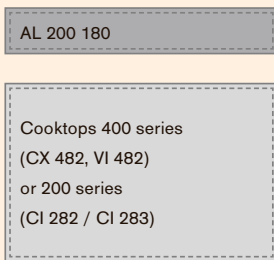
Installation accessory
 Installation kit VA 200 090



For cut-out dimensions, see page 261

Installation kit VA 200 090

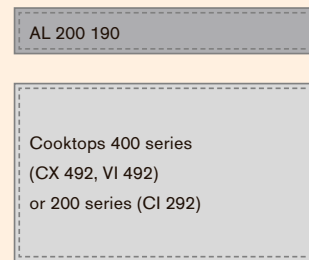
Combination with frameless induction cooktops in 2 separate cut-outs



For cut-out dimensions, see page 257

Installation accessory
 -

Combination with frameless induction cooktops in 2 separate cut-outs

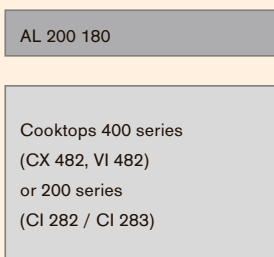


For cut-out dimensions, see page 262

Installation accessory
 -

Surface installation

Combination with induction cooktop in 2 separate cut-outs

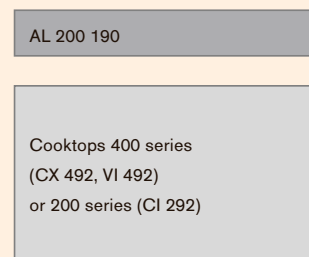


For cut-out dimensions, see page 257

Installation accessory
 Installation kit AA 200 900

Surface installation

Combination with induction cooktop in 2 separate cut-outs



For cut-out dimensions, see page 263

Installation accessory
 Installation kit AA 200 900



VL 200 120

Black control panel
Width 15 cm
Air extraction / Air recirculation
Motorless



Installation accessories

AD 410 040

Flexibel connecting piece for VL 200
DN 150 flat

AD 851 041

Connecting piece VL 200 for extension
with flat duct DN 150 for extra deep
worktop

VV 200 010

Stainless steel connection strip for
combination with other Vario
appliances of the 200 series

VV 200 020

Black connection strip for combination
with other Vario appliances of the
200 series

Special accessories

LS 041 001

Ventilation moulding for VL 200 next to
gas appliance
Stainless steel

Installation accessories for air ducting
you will find at the pages 245 – 251.

Vario downdraft ventilation 200 series VL 200

- Can be combined with the cooktops of the Vario 200 series to a harmonic unity
- Highly efficient ventilation system at the cooktop integrated in the worktop
- Function for automatic, sensor-controlled power adjustment depending on the build-up of cooking vapours
- Minimal planning and easy installation
- Low-noise system with the motor AR 410 110
- Air extraction or air recirculation system

Output

Power levels depend on the remote fan unit.

Refer to the "Technical specifications" of the hood for the matching remote fan units for air recirculation or air extraction mode.

Features

Control knobs with illuminated ring.
3 electronically controlled power levels and 1 intensive mode.

Automatic sensor-controlled performance adjustment of the ventilation system.

Automatic sensor controlled or manual run on function.

Large-scale metal grease filter with high grease absorption.

Removable, dishwasher-safe grease filter unit.

Grease filter and activated charcoal filter saturation indicator.

Airflow-optimised interior for efficient air circulation.

Interval ventilation, 6 min.

Enamelled ventilation grille, dishwasher-safe.

Air exhaust bend included in delivery.
Overflow 250 ml capacity.

Consumption data

Consumption data is referred to a configuration with the remote fan unit AR 403 122.

Energy efficiency class A at a range of energy efficiency classes from A+++ to D.

Energy consumption 48.3 kWh/year.

Ventilation efficiency class A.

Illumination efficiency class -.

Grease filter efficiency class B.

Sound level min. 56 dB / max. 71 dB normal mode.

Planning notes

Air recirculation mode in combination with remote fan unit with AR 410 110 or AR 413 122.

Air extraction in combination with remote fan unit AR 400 142, AR 401 142 or AR 403 122.

For each VL one remote fan unit is recommended.

Maximum cooktop width between 2 VL: 80 cm.

Vario cooktops like Vario electric grill and Vario gas wok should be placed between 2 VL.

In case of Vario electric grill recirculation is not recommended.

If installed next to gas appliances, the ventilation moulding LS 041 001 is recommended to ensure maximum performance of the cooktop.

When having installed the ventilation moulding LS 041 001 the wok pan WP 400 001 can not be used.

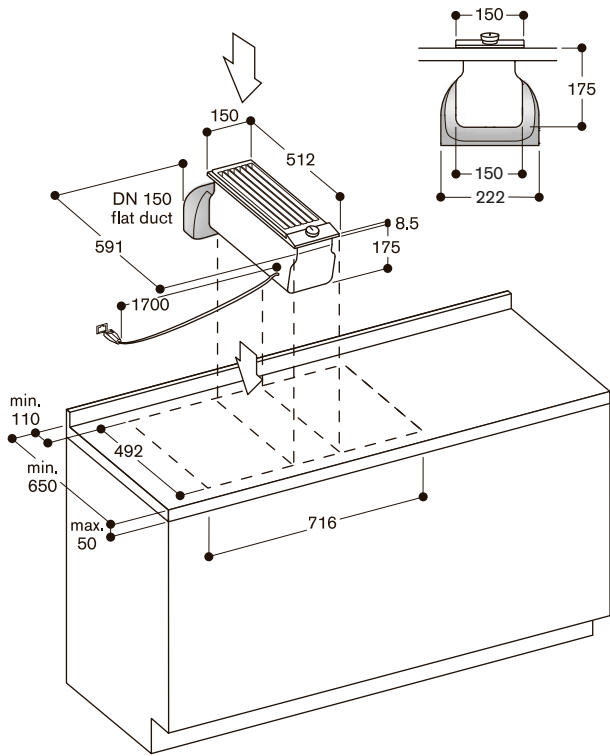
Air recirculation is not recommended in combination with Vario electric grill. When installing a ventilation hood with air extraction mode and a chimney-vented fireplace, the power supply line of the ventilation appliance needs a suitable safety switch.

Please read additional planning notes on page 226 – 229.

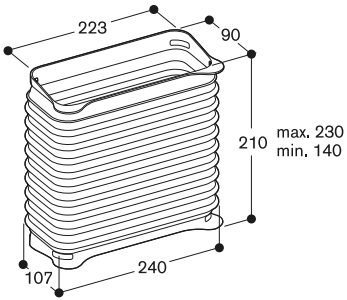
Connection

Connecting cable 1.7 m between VL and remote fan unit.

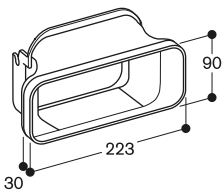
*Energy efficiency class: at a range of energy efficiency classes from A+++ to D.



AD 410 040: Flexibel connecting piece for VL, DN 150 flat



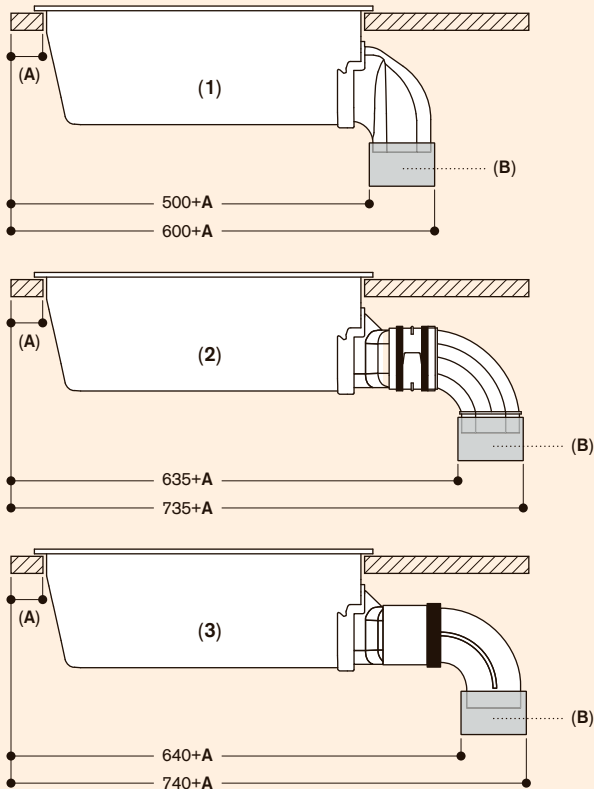
AD 851 041: Connecting piece VL for extension with flat duct DN 150 for extra deep worktop



Planning examples with the downdraft ventilation 200 series

Good to know – for correct planning and installation

- For depth measurements, take account of the depth of the furniture cavity and worktop overhangs of the kitchen furniture.
- It is also important that ducting is well sealed in order to prevent air leaks, e.g. by using the adequate adhesive tape or using the adequate connecting piece.
- Maximum distance between the Vario downdraft ventilation and the remote fan unit: Cable length in between 1.7 m
- Vario cooktops like Vario electric grill or Vario gas wok should be placed between 2 VL.
- In case of Vario electric grill air recirculation is not recommended.
- With the Vario downdraft ventilation, the ducting can be connected straight down (1) or to the rear using additional connecting pieces (2) and (3). These are available as special accessories, see below. For the total overall dimensions in the furniture, please also take into account the individual dimensions and position of the ducts and the remote fan unit. The remote fan unit can be turned in all directions, depending on the desired direction for the exhaust air or filter removal.



- 1: Direct installation
2: Installation with extension for extra deep worktop and plastic ducting:
- AD 851 041 (Connecting piece for extension)
- AD 857 040 (Flat duct connecting piece, plastic)
- AD 857 030 (Flat duct bend 90° vertical, plastic)
3: Installation with extension for extra deep worktop and metal ducting:
- AD 851 041 (Connecting piece for extension)
- AD 854 000 (Flat duct connecting piece, metal)
- AD 854 030 (Flat duct bend 90° vertical, metal)

A: ≥ 50 mm

B: Connecting piece

measurements in mm

Planning example 1 (air recirculation)**VL 200 with AR 410 110 remote fan unit**

Wall installation, worktop depth 65 cm, access to the filters for replacement from the front.

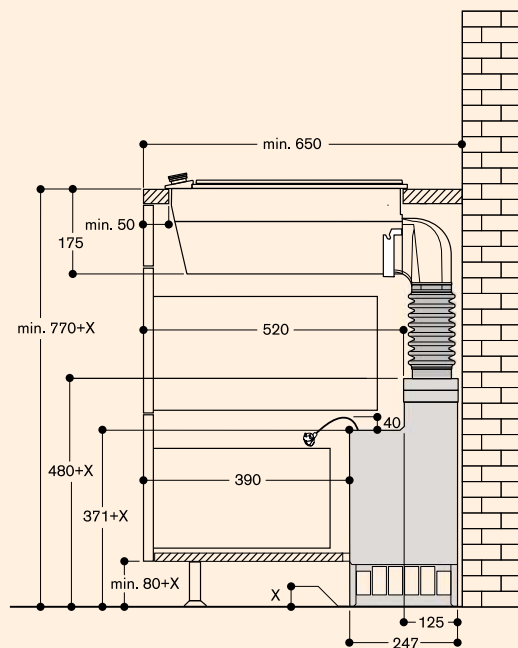
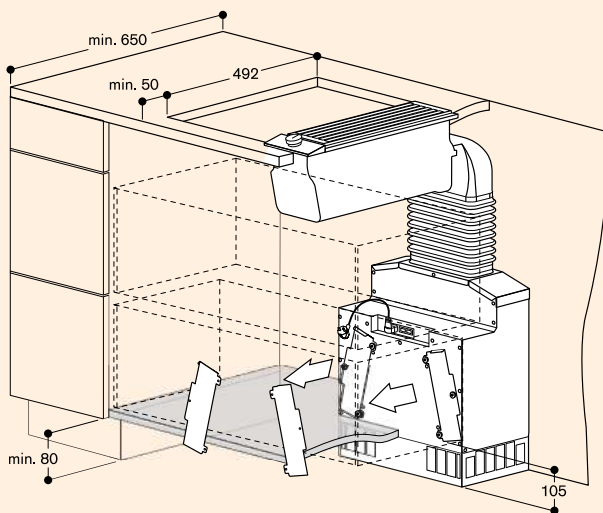
Good to know

- Allow accessibility to the charcoal filters in the lower cabinet for their replacement.
- Additionally, if the plinth is higher than 80 mm, the external remote fan unit has to be elevated to enable access to the filters. If the plinth is 80 mm high, the remote fan unit can be placed directly on the floor.
- For optimum performance, the recirculated air requires sufficient space to escape (outflow surface area of at least 400 cm²).

List of components

- 1 x AR 410 110 (remote fan unit air recirculation)
- 1 x AD 410 040 (flexibel connecting piece)

Order as set (appliances and accessories): SET1VL2301



Planning examples with the downdraft ventilation 200 series

Planning example 2 (air recirculation) VL 200 with AR 413 122 remote fan unit

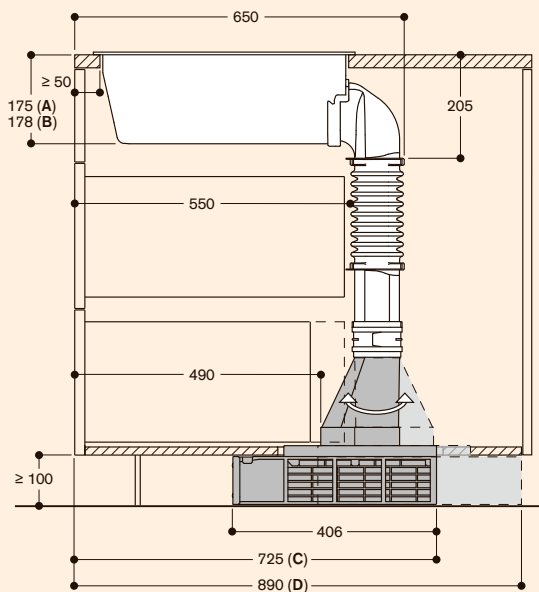
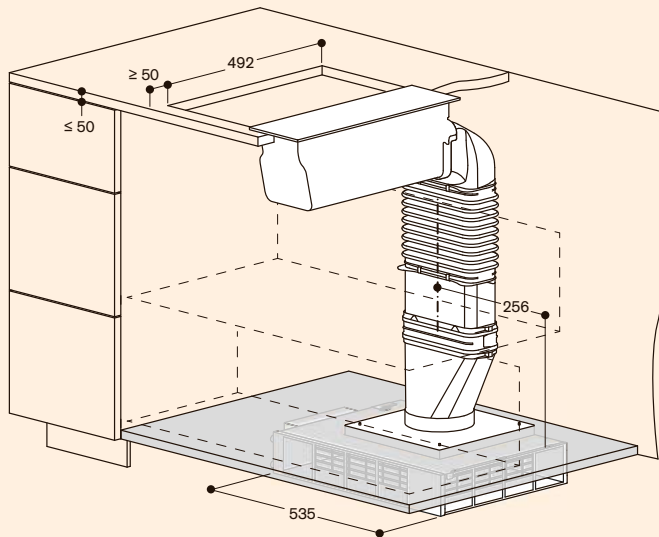
Good to know

- Wall or island installation.
- Allow accessibility to the charcoal filters in the lower cabinet for their replacement.
- The recommended minimum distance between filter openings and cupboard wall if there is no ventilation grille directly in front: 15 cm.
- For optimum performance, the recirculated air requires sufficient space to escape (outflow surface area of at least 400 cm²).

List of components

- 1 x AR 413 122 (remote fan unit air recirculation)
- 1 x AD 410 040 (flat flexible connecting piece)
- 1 x AD 857 015 (flat duct 50 cm)
- 1 x AD 857 040 (flat duct connecting piece)
- 1 x AD 857 041 (flat duct adapter round)
- 1 x AD 990 090 (adhesive tape)

Order as set (appliances and accessories): SET1VL2101



- A: Surface mounting
- B: Flush mounting (only VL414)
- C: Filter access from the front. Connecting piece flat/round towards the front
- D: Filter access from the back. Connecting piece flat/round towards the back

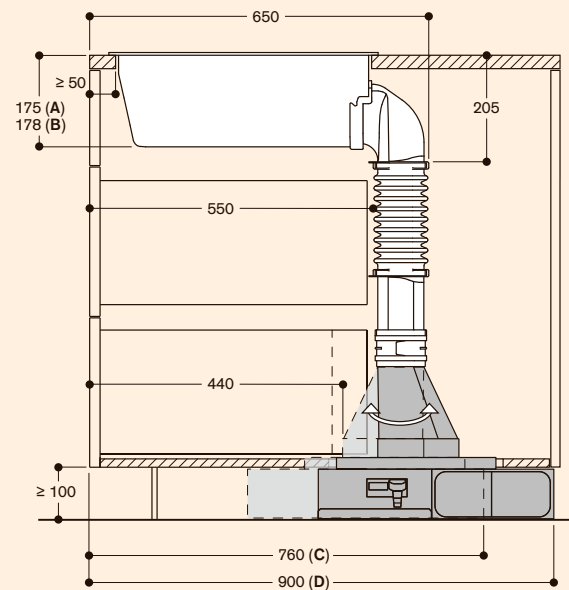
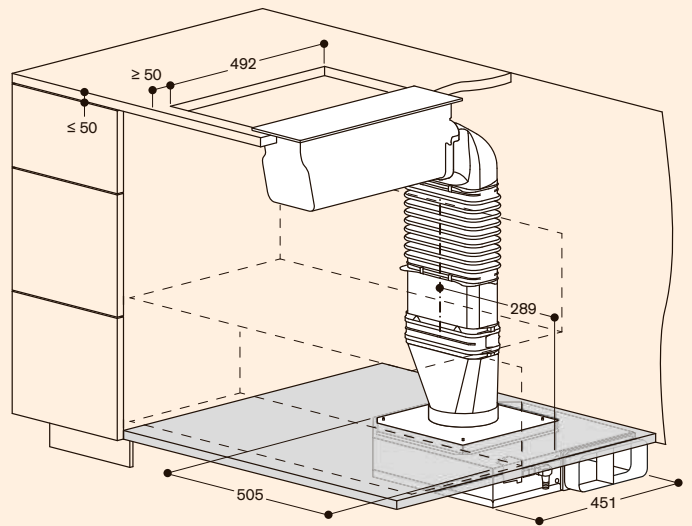
measurements in mm

Planning example 3 (air extraction) VL 200 with AR 403 122 remote fan unit

List of accessories

- 1 x AR 403 122 (remote fan unit air extraction)
- 1 x AD 410 040 (flat flexible connecting piece)
- 1 x AD 857 015 (flat duct 50 cm)
- 1 x AD 857 040 (flat duct connecting piece)
- 1 x AD 857 041 (flat duct adapter round)
- 1 x AD 990 090 (adhesive tape)

Order as set (appliances and accessories): SET1VL2703



- A: Surface mounting
- B: Flush mounting (only VL414)
- C: Exhaust to the left. Connecting piece flat/round towards the front
- D: Exhaust to the right. Connecting piece flat/round towards the back

measurements in mm

Planning example 4 (air recirculation) - Metal
VL 200 with AR 410 110 remote fan unit

Island installation, access to the filter for replacement from the front or the back.

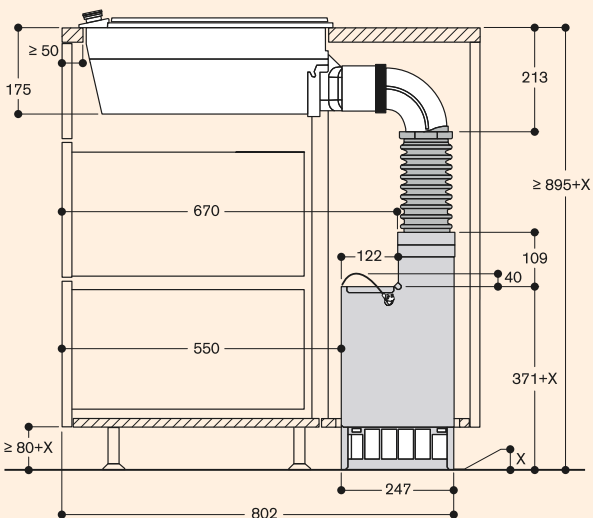
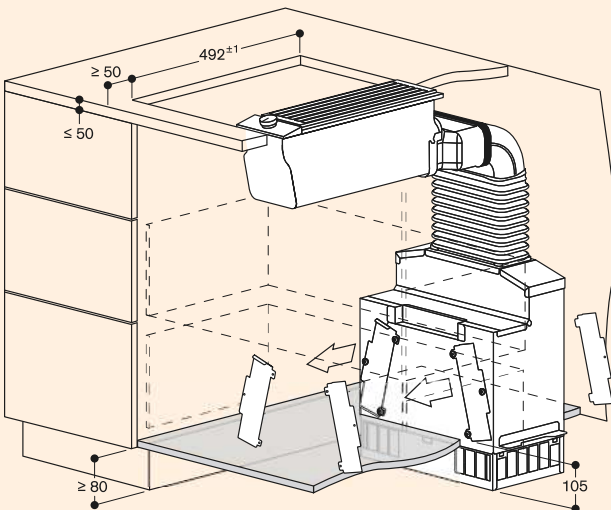
Good to know

- Allow accessibility to the charcoal filters in the lower cabinet for their replacement.
- Additionally, if the plinth is higher than 80 mm, the external remote fan unit has to be elevated to enable access to the filters. If the plinth is 80 mm high, the remote fan unit can be placed directly on the floor.
- For optimum performance, the recirculated air requires sufficient space to escape (outflow surface area of at least 400 cm²).
- Please note, this installation is also possible with Gaggenau plastic ducts

List of components

- 1 x AR 410 110 (remote fan unit air recirculation)
- 1 x AD 851 041 (connection piece for extension with flat duct for extra deep worktop)
- 1 x AD 854 000 (flat duct bend connecting piece, metal, DN 150 flat)
- 1 x AD 854 030 (flat duct bend 90° vertical, metal, DN 150 flat)
- 1 x AD 410 040 (flexibel connecting piece, DN 150 flat)
- 1 x AD 990 091 (adhesive tape for sealing the ducts, aluminium)

Order as set (appliances and accessories): SET1VL2303



List of components - Plastic

- 1 x AR 410 110 (remote fan unit air recirculation)
- 1 x AD 851 041 (connection piece for extension)
- 1 x AD 857 040 (flat duct connecting piece)
- 1 x AD 857 030 (flat duct bend 90° vertical, metal)
- 1 x AD 410 040 (flat flexible connecting piece)

Order as set (appliances and accessories): SET2VL2701

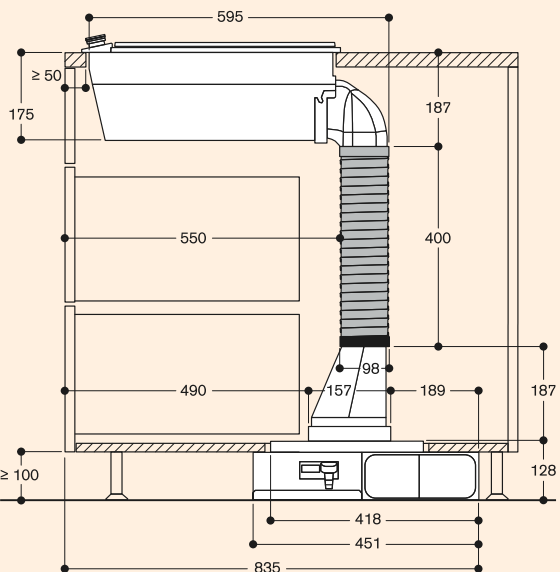
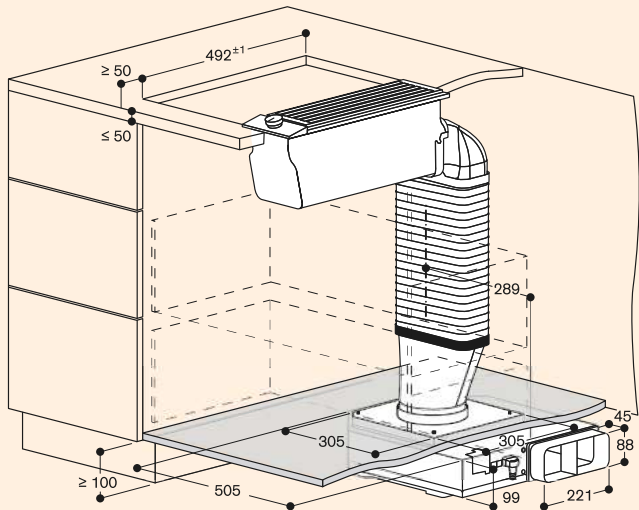
Planning example 5 (air extraction) - Metal
VL 200 with AR 403 122 remote fan unit

Island installation, connection from the right side.

List of accessories

- 1 x AR 403 122 (remote fan unit air extraction)
- 1 x AD 858 010 (flat duct flex pipe, metal, DN 150)
- 1 x AD 854 041 (flat duct adapter round, metal, DN 150 flat/round)
- 1 x AD 990 091 (adhesive tape for sealing the ducts, aluminium)

Order as set (appliances and accessories): SET1VL2102





AI 240 191

Stainless steel with glass control panel
Gaggenau Anthracite
Width 90 cm
Air extraction / Air recirculation
Delivery with mounting kit and chimney



Installation accessories

AD 200 326

Stainless steel chimney extension-
Length: 1100 mm

AD 220 396

Ceiling collar for chimneys
Stainless steel

AD 223 346

Extension for mounting kit 500 mm

Special accessories

AA 200 110

1 activated charcoal filter with high efficient odour reduction due to increased surface. For air recirculation module AA200812/816 and AA010811/AA012811.

AA 200 112

1 regenerable activated charcoal filter
For air recirculation module AA200812/816 and AA010811/AA012811.

AA 200 816

Air recirculation module inclusive 1 activated charcoal filter with high efficient odour reduction due to increased surface

Installation accessories for air ducting you will find at the pages 245 – 251.

Island hood 200 series

AI 240

- Stainless steel hood with glass cover fitting to oven 200 series
- Highly efficient vapour collection by recessed filters
- Energy-saving, low-noise fan
- Perforated sheet metal filter with high grease absorption
- Function for automatic, sensor-controlled power adjustment depending on the build-up of cooking vapours
- Dimmable, neutral white LED light for ideal illumination of the cooktop
- Air extraction or air recirculation system

Output

Performance and noise level, output level 3/Intensive:

Air output according to EN61591.

Sound power level according to EN60704-3.

Odour reduction for air recirculation in accordance with EN61591.

Air extraction:

641 / 988 m³/h.

64 / 72 dB (A) re 1 pW.

Air recirculation:

448 / 530 m³/h.

69 / 72 dB (A) re 1 pW.

Odour reduction air recirculation 85 %.

Features

3 electronically controlled power levels and 1 intensive mode.

Automatic function with sensor-controlled run-on function.

Grease filter saturation indicator.

Activated charcoal filter saturation indicator.

Perforated sheet metal filter, dishwasher-safe.

Interval ventilation, 6 min.

Cooktop-based ventilation control (with suitable cooktop).

Neutral white LED light (3500 K), continuously dimmable.

Light colour in different white tones (2700 – 5000 K) can be adjusted via Home Connect.

Lamp output 4x3 W.

Illuminance 650 lx continuously dimmable.

Fan technology with highly efficient, brushless DC motor (BLDC).

Integrated sound insulation for quiet operation.

Airflow-optimised vapour collection area with slightly inward facing filters.

The package includes an one-way flap.

Easy mounting system for simple installation and alignment.

Home network integration for digital services (Home Connect) wireless via WiFi.

The use of the Home Connect functionality depends on the Home Connect services, which are not available in every country. For further information please check: home-connect.com.

Please read additional information on Home Connect on page 345.

Consumption data

Energy efficiency class A at a range of energy efficiency classes from A+++ to D.

Energy consumption 48.8 kWh/year.

Ventilation efficiency class A.

Illumination efficiency class A.

Grease filter efficiency class B.

Sound level min. 43 dB / max. 64 dB normal mode.

Planning notes

The package includes the mounting kit

and the two-part chimney with the dimensions from 664 mm to 844 mm.

Individual planning solutions can be implemented using the special

accessory chimney extension

AD 200 326 in combination with

extension for mounting kit AD 223 346.

Clearance above gas appliances

min. 65 cm (more than total load gas 12 kW min. 70 cm).

Clearance above electric appliances min. 55 cm.

The air recirculation module with activated charcoal filter can be

installed on the inner chimney.

When installing a ventilation hood with

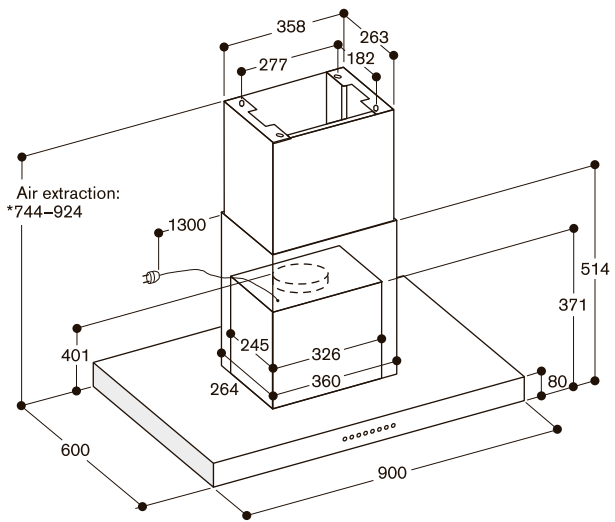
air extraction mode and a chimney-vented fireplace, the power supply line

of the ventilation appliance needs a suitable safety switch.

Connection

Total connected load 272 W.

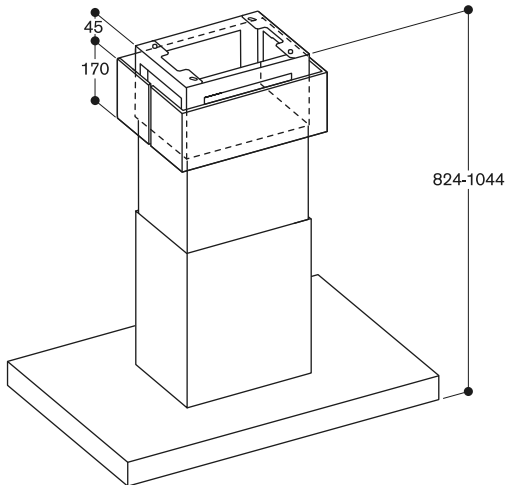
Connecting cable 1.3 m with plug.



Air extraction:
*744-924

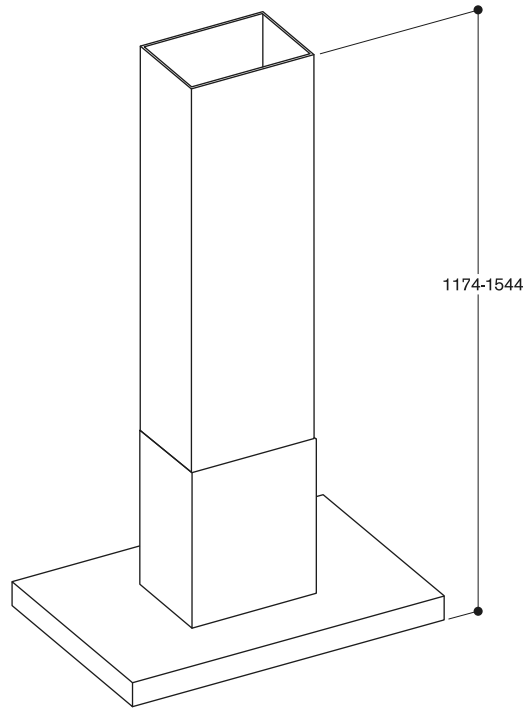
* Suitable for ceiling heights from 2.34 m to 2.52 m;
Specifications refer to the distance of 1.60 m from
the floor to the lower edge of the hood.

AI 240 with AA 200 816



* Suitable for ceiling heights from 2.42 m to 2.64 m;
Specifications refer to the distance of 1.60 m from
the floor to the lower edge of the hood.

AI 240 with AD 200 326 and AD 223 346



* Suitable for ceiling heights from 2.78 m to 3.15 m;
Specifications refer to the distance of 1.60 m from the floor
to the lower edge of the hood.



AW 240 191

Stainless steel with glass control panel
Gaggenau Anthracite
Width 90 cm
Air extraction / Air recirculation
Delivery with mounting kit and chimney



Installation accessories

AD 200 322

Stainless steel chimney extension-
Length: 1000 mm

AD 200 392

Ceiling collar for chimneys
Stainless steel

Special accessories

AA 200 110

1 activated charcoal filter with high efficient odour reduction due to increased surface.

For air recirculation module

AA 200 812/816 and AA 010 811/
AA 012 811.

AA 200 112

1 regenerable activated charcoal filter
For air recirculation module

AA 200 812/816 and AA 010 811/
AA 012 811.

AA 200 812

Air recirculation module inclusive
1 activated charcoal filter with high efficient odour reduction due to increased surface

Installation accessories for air ducting
you will find at the pages 245 – 251.

Wall-mounted hood 200 series

AW 240

- Stainless steel hood with glass cover fitting to oven 200 series
- Highly efficient vapour collection by recessed filters
- Energy-saving, low-noise fan
- Perforated sheet metal filter with high grease absorption
- Function for automatic, sensor-controlled power adjustment depending on the build-up of cooking vapours
- Dimmable, neutral white LED light for ideal illumination of the cooktop
- Air extraction or air recirculation system

Output

Performance and noise level, output level 3/Intensive:

Air output according to EN 61591.

Sound power level according to EN 60704-3.

Sound pressure level according to EN 60704-2-13.

Odour reduction for air recirculation in accordance with EN 61591.

Air extraction:

618 / 970 m³/h.

64 / 73 dB (A) re 1 pW.

51 / 60 dB (A) re 20 µPa.

Air recirculation:

383 / 476 m³/h.

69 / 74 dB (A) re 1 pW.

56 / 61 dB (A) re 20 µPa.

Odour reduction air recirculation 79 %.

Features

3 electronically controlled power levels and 1 intensive mode.

Automatic function with sensor-controlled run-on function.

Grease filter saturation indicator.

Activated charcoal filter saturation indicator.

Perforated sheet metal filter, dishwasher-safe.

Interval ventilation, 6 min.

Cooktop-based ventilation control (with suitable cooktop).

Neutral white LED light (3500 K), continuously dimmable.

Light colour in different white tones (2700 – 5000 K) can be adjusted via Home Connect.

Lamp output 3x3 W.

Illuminance 551 lx continuously dimmable.

Fan technology with highly efficient, brushless DC motor (BLDC).

Integrated sound insulation for quiet operation.

Airflow-optimised vapour collection area with slightly inward facing filters.

The package includes an one-way flap.

Easy mounting system for simple installation and alignment.

Home network integration for digital services (Home Connect) wireless via WiFi.

The use of the Home Connect functionality depends on the Home Connect services, which are not available in every country. For further information please check: home-connect.com.

Please read additional information on Home Connect on page 345.

Consumption data

Energy efficiency class A at a range of energy efficiency classes from A+++ to D.

Energy consumption 44.5 kWh/year.

Ventilation efficiency class A.

Illumination efficiency class A.

Grease filter efficiency class B.

Sound level min. 44 dB / max. 64 dB normal mode.

Planning notes

The package includes the two-part chimney with the dimensions from 572 mm to 874 mm. Individual planning solutions can be implemented using the special accessory chimney extension AD 200 322 or by shortening the lower edge of the inner chimney.

Clearance above gas appliances min. 65 cm (more than total load gas 12 kW min. 70 cm).

Clearance above electric appliances min. 55 cm.

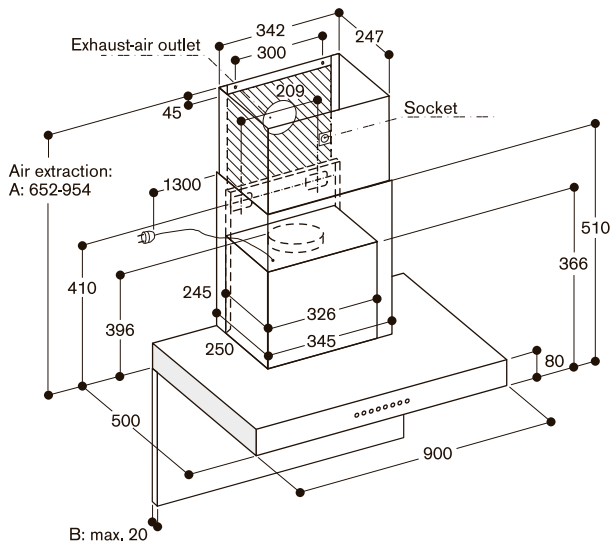
The air recirculation module with activated charcoal filter can be installed on the inner chimney.

When installing a ventilation hood with air extraction mode and a chimney-vented fireplace, the power supply line of the ventilation appliance needs a suitable safety switch.

Connection

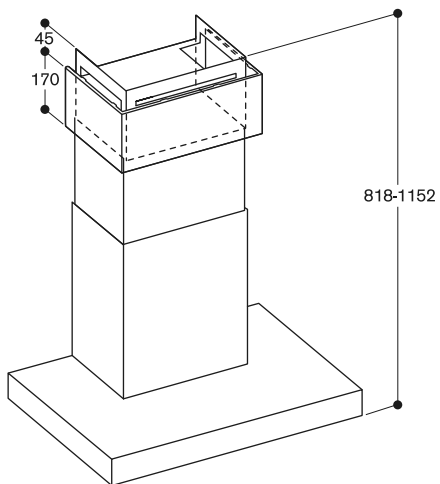
Total connected load 269 W.

Connecting cable 1.3 m with plug.



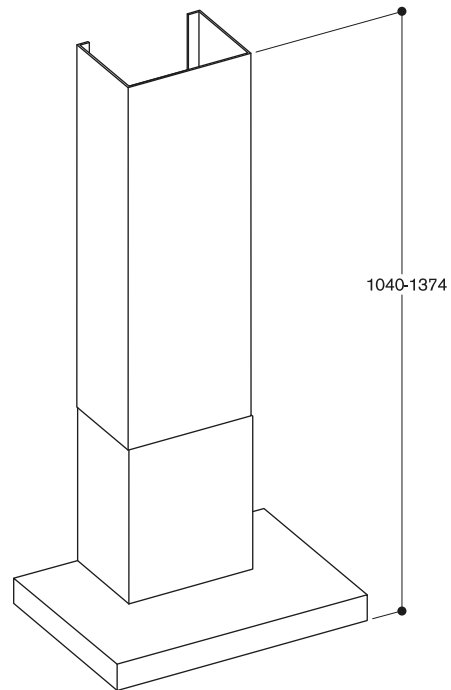
A: Suitable for ceiling heights from 2.25 m to 2.55 m;
 Specifications refer to the distance of 1.60 m from the floor
 to the lower edge of the hood.
 B: Note the maximum thickness of the back panel.

AW 240 with AA 200 812



* Suitable for ceiling heights from 2.45 m to 2.75 m;
 Specifications refer to the distance of 1.60 m from the floor
 to the lower edge of the hood.

AW 240 with AD 200 322



* Suitable for ceiling heights from 2.64 m to 2.97 m;
 Specifications refer to the distance of 1.60 m from the floor
 to the lower edge of the hood.



AW 250 192

Full glass front in Gaggenau Anthracite
Width 90 cm
Air extraction / Air recirculation
Delivery without chimney



Installation accessories

AD 200 012

Stainless steel air extraction chimney
Length: 573-843 mm.

Special accessories

AA 250 112

2 regenerable activated charcoal filter
For air recirculation.
Extended change interval of the
activated charcoal filter: regenerable
up to 30 times.
Regenerable in the oven at 200 °C.

AA 250 113

2 activated charcoal filter
For air recirculation.

Installation accessories for air ducting
you will find at the pages 245 – 251.

Wall-mounted hood 200 series

AW 250

- Angled vapour screen provides particularly generous free space above the cooktop
- Filter cover with easy to clean glass front
- Glass cover fitting to oven 200 series
- Energy-saving, low-noise fan
- Vapours can be caught efficiently thanks to two suction areas on the underside and front
- The glass trayel can be extended forward to increase the area for catching vapours during particularly intensive cooking
- Function for automatic, sensor-controlled power adjustment depending on the build-up of cooking vapours
- Dimmable ambient lighting allows light to be adjusted individually
- Air extraction or air recirculation system

Output

Performance and noise level, output level 3/Intensive:

Air output according to EN 61591.

Sound power level according to EN 60704-3.

Odour reduction for air recirculation in accordance with EN 61591.

Air extraction:

529 / 990 m³/h.

57 / 70 dB (A) re 1 pW.

Air recirculation:

461 / 670 m³/h.

68 / 78 dB (A) re 1 pW.

Odour reduction air recirculation 95%.

Features

3 electronically controlled power levels and 1 intensive mode.

Automatic function with

sensor-controlled run-on function.

Grease filter and activated charcoal filter saturation indicator.

Interval ventilation, 6 min.

Cooktop-based ventilation control (with suitable cooktop).

Metal grease filter, dishwasher-safe.

Glass filter cover in Gaggenau Anthracite.

2 activated charcoal filter fitted in appliance ex factory.

Neutral white LED light (3500 K), continuously dimmable.

Lamp output 2 x 3 W.

Illuminance 519 lx.

Indirect LED light (3.000 K), dimmable.

Fan technology with highly efficient, brushless DC motor (BLDC).

Integrated sound insulation for quiet operation.

Easy to clean inner frame.

Easy mounting system for simple installation and alignment.

Home network integration for digital services (Home Connect) wireless via WiFi.

The use of the Home Connect functionality depends on the Home Connect services, which are not available in every country. For further information please check: home-connect.com.

Please read additional information on Home Connect on page 345.

Consumption data

Energy efficiency class A+ at a range of energy efficiency classes from A+++ to D.

Energy consumption 36.7 kWh/year.

Ventilation efficiency class A.

Illumination efficiency class A.

Grease filter efficiency class B.

Sound level min. 43 dB /

max. 57 dB normal mode.

Planning notes

The ventilation appliance is supplied for air recirculation mode only without a chimney. The special accessory AD 200 012 is available for potential air extraction mode.

Clearance above gas appliances min. 60 cm (more than total load gas 12 kW min. 70 cm).

Clearance above electric appliances min. 45 cm.

When installing a ventilation hood with air extraction mode and a chimney-vented fireplace, the power supply line of the ventilation appliance needs a suitable safety switch.

Connection

Total connected load 270 W.

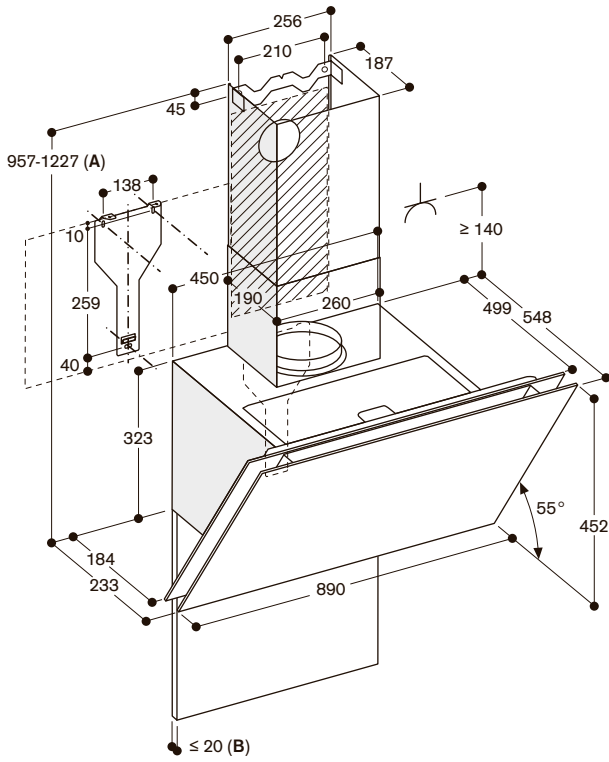
Connecting cable 1.3 m with plug.

Power consumption standby/display off 0.5 W.

Please check the user manual for how to switch off the WiFi module.

*Energy efficiency class: at a range of energy efficiency classes from A+++ to D.

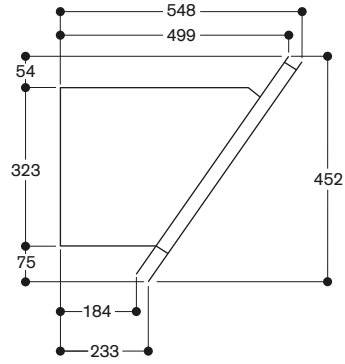
Air extraction



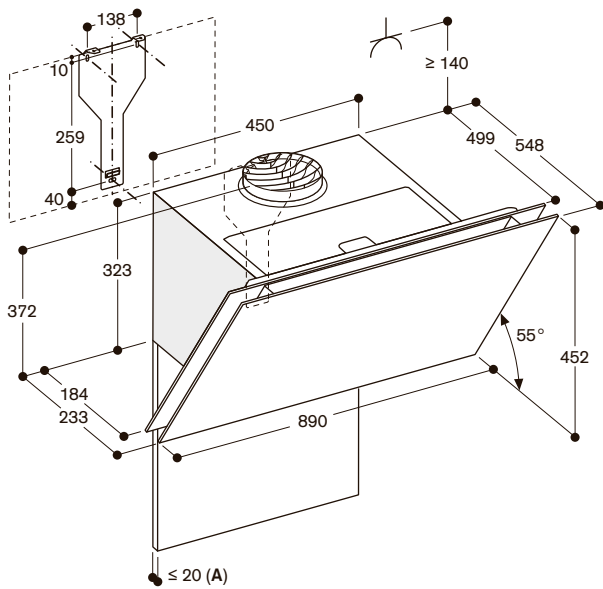
A: Air extraction
 B: Note the maximum thickness of the back panel.
 Socket

measurements in mm

Side view



Air recirculation



A: Note the maximum thickness of the back panel.
 Socket

measurements in mm



AF 210 192

Stainless steel handle bar
Width 90 cm

Air extraction / Air recirculation

AF 210 162

Width 60 cm

Stainless steel handle bar

Air extraction / Air recirculation



Installation accessories

AA 210 460

Lowering frame for 60 cm
flat kitchen hood

AA 210 492

Lowering frame for 90 cm
flat kitchen hood

AA 210 491

Assembly kit for 90 cm upper cabinet
Can be combined with the 90 cm wide
flat kitchen hood 200 series in
combination with a 90 cm upper cabinet.
For left/right assembly in upper cabinets.
For assembly in the upper cabinet.
If the lowering frame AA 210 492 is
used, the assembly kit is not needed.

Special accessories

AA 210 110

1 activated charcoal filter with high
efficient odour reduction due to
increased surface. For air recirculation
module AA 211 812.

AA 211 812

Patented air recirculation module
including 1 activated charcoal filter
with high efficient odour reduction due
to increased surface
For air recirculation

Installation accessories for air ducting
you will find at the pages 245 – 251.

Flat kitchen hood 200 series

AF 210

- Unobtrusive visor hood design thanks to integrated glass sheet in the steam screen
- Especially quiet operation thanks to integrated sound insulation
- Steam screen extends by touching the handle bar
- Especially high air output
- Energy-saving, low-noise fan
- Function for automatic, sensor-controlled power adjustment depending on the build-up of cooking vapours
- Dimmable, neutral white LED light for ideal illumination of the cooktop
- The patented lowering frame allows the visor hood to disappear completely into the upper cabinet
- Air extraction or air recirculation system
- Air recirculation module with activated charcoal filter: quiet and highly efficient air recirculation solution with odour reduction as in air extraction mode and long replacement intervals

Output

Performance and noise level, output level 3/Intensive:

Air output according to EN 61591.

Sound power level according to EN 60704-3.

Odour reduction for air recirculation in accordance with EN 61591.

Appliance width 90cm

Air extraction:

517 / 965 m³/h

57 / 71 dB(A) re 1 pW

Air recirculation:

506 / 876 m³/h

62 / 69 dB(A) re 1 pW

Odour reduction air recirculation: >90%

Appliance width 60cm

Air extraction:

515 / 953 m³/h

57 / 71 dB(A) re 1 pW

Air recirculation

497 / 885 m³/h

62 / 69 dB(A) re 1 pW

Odour reduction air recirculation: >90%

Features

Controls at front.

3 electronically controlled power levels and 1 intensive mode.

Automatic function with sensor-controlled run-on function.

Grease filter saturation indicator.

Stainless steel grease filter, dishwasher-safe.

Neutral white LED light (3500 K), continuously dimmable.

Lamp output 3 x 1.5W.

Illuminance 355 lx.

Light can be switched on separately.

Fan technology with highly efficient, brushless DC motor (BLDC).

Integrated sound insulation for quiet operation.

The fan is activated when the steam screen is extended.

Patented technology for extension of the steam screen.

Extendable steam screen 198 mm.

Airflow-optimised interior for efficient air circulation and ease of cleaning.

Patented easy mounting system for simple installation.

The package includes an one-way flap.

Consumption data

Consumption data is referred to AF 210 192 / 162.

Energy efficiency class A at a range of energy efficiency classes from A+++ to D.

Energy consumption

41.4 / 40.3 kWh/year.

Ventilation efficiency class A.

Illumination efficiency class A.

Grease filter efficiency class B.

Sound level min. 41/42 dB /

max. 57 dB normal mode.

Planning notes

For air recirculation an external air recirculation module is required.

Patented air recirculation module with activated charcoal filter can be installed in the upper cabinet. The activated carbon filter can be changed from the front by simply pulling out the activated charcoal filter.

The door of the upper cabinet must be fully open in order to change the activated charcoal filter.

To be installed in an upper cabinet without base.

The required cavity depth of the upper cabinet together with the lowering frame measures 335 mm.

The required cavity height of the upper cabinet together with the lowering frame measures 600 mm.

Clearance above gas appliances min. 65 cm (more than total load gas 12 kW min. 70 cm).

Clearance above electric appliances min. 43 cm.

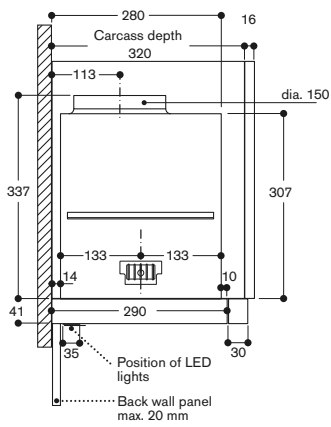
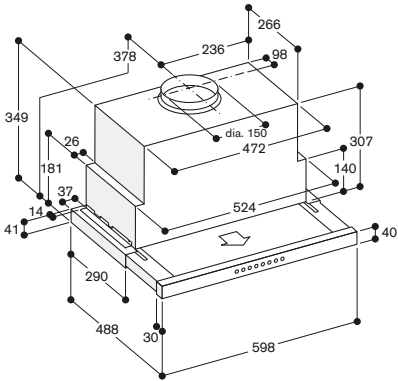
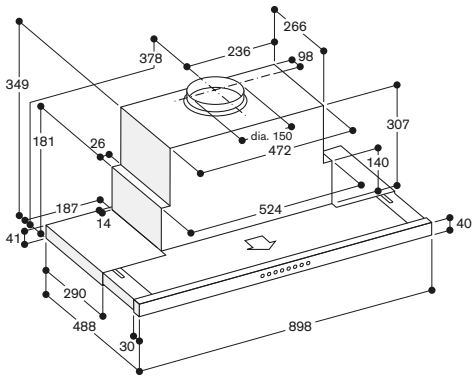
When installing a ventilation hood with air extraction mode and a chimney-vented fireplace, the power supply line of the ventilation appliance needs a suitable safety switch.

Connection

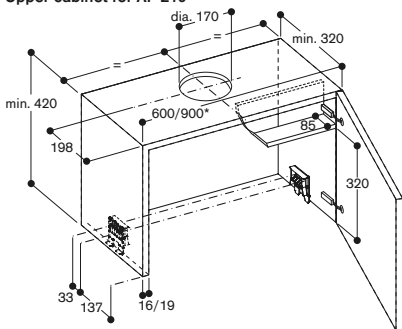
Total connected load 266/264 W

Connecting cable 1.8 m, pluggable.

*Energy efficiency class: at a range of energy efficiency classes from A+++ to D.

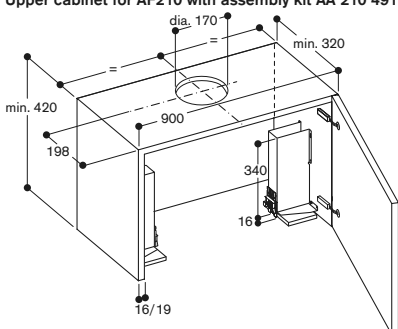


Upper cabinet for AF 210

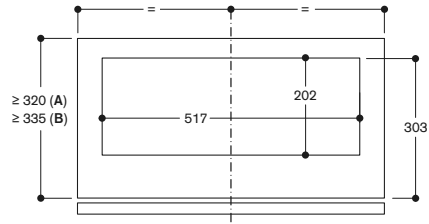


* for upper cabinets measuring 90 cm, the AA 210 491 installation set is required in addition

Upper cabinet for AF210 with assembly kit AA 210 491

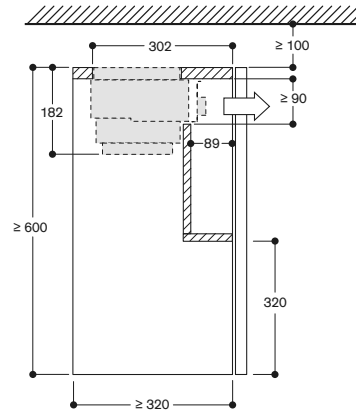


View of upper cabinet from above with AA 211 812



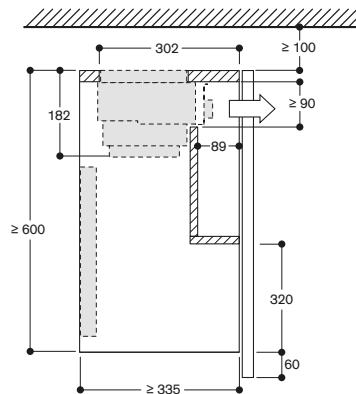
A: Appliance only
B: Appliance with lowering frame
measurements in mm

Cross-section of upper cabinet for AF210 with AA 211 812



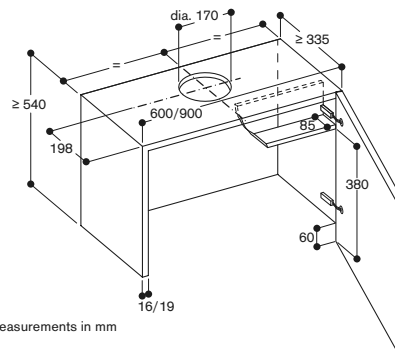
measurements in mm

Cross-section of upper cabinet for AF210 with AA 211 812 and AA 210 492/460 lowering frame



measurements in mm

Upper cabinet for AF 210 with lowering frame



measurements in mm



AC 200 191

Stainless steel and glass

Width 86 cm

Air extraction / Air recirculation

AC 200 181

Stainless steel and glass

Width 70 cm

Air extraction / Air recirculation



AC 200 161

Stainless steel and glass

Width 52 cm

Air extraction / Air recirculation

Special accessories

AA 200 510

Remote control for canopy extractor

AC200

AA 210 110

1 activated charcoal filter with high efficient odour reduction due to increased surface. For air recirculation module AA211812.

AA 211 812

Patented air recirculation module including 1 activated charcoal filter with high efficient odour reduction due to increased surface
For air recirculation.

Installation accessories for air ducting you will find at the pages 245 – 251.

Canopy extractor 200 series

AC 200

- Can be integrated invisibly in upper cabinet
- Energy-saving, low-noise fan
- Rim extraction with flat and easy-to-clean glass cover
- Dimmable, neutral white LED light for ideal illumination of the cooktop
- Air extraction or air recirculation system
- Energy efficiency class A++

Output

Performance and noise level, output level 3/Intensive:

Air output according to EN61591.

Sound power level according to EN 60704-3.

Odour reduction for air recirculation in accordance with EN61591.

Appliance width 86 cm

Air extraction:

610 / 800 m³/h.

64 / 70 dB (A) re 1 pW.

Air recirculation:

540 / 790 m³/h.

72 / 77 dB (A) re 1 pW.

Odour reduction air recirculation 94 %.

Appliance width 70 cm

Air extraction:

575 / 775 m³/h.

64 / 70 dB (A) re 1 pW.

Air recirculation:

540 / 740 m³/h.

73 / 78 dB (A) re 1 pW.

Odour reduction air recirculation 93 %.

Appliance width 52 cm

Air extraction:

540 / 730 m³/h.

64 / 70 dB (A) re 1 pW.

Air recirculation:

530 / 690 m³/h.

72 / 77 dB (A) re 1 pW.

Odour reduction air recirculation 92 %.

Features

3 electronically controlled power levels and 1 intensive mode.

Remote control is available as a special accessory.

Interval ventilation, 6 min.

Run-on function, 6 min.

Grease filter saturation indicator.

Metal grease filter, dishwasher-safe.

Glas filter cover.

Neutral white LED light (4000 K), dimmable.

Lamp output 2x 1 W.

Illuminance 266 lx.

Fan technology with highly efficient, brushless DC motor (BLDC).

Consumption data

Energy efficiency class A++ at a range of energy efficiency classes from A+++ to D.

Energy consumption

31.4/30.3/29.6 kWh/year.

Ventilation efficiency class A.

Illumination efficiency class A.

Grease filter efficiency class D.

Sound level min. 41/42/44 dB / max. 64/65/67 dB normal mode.

Planning notes

Patented air recirculation module with activated charcoal filter can be installed in the upper cabinet. The activated carbon filter can be changed from the front by simply pulling out the filter drawer.

The door of the upper cabinet must be fully open in order to change the activated charcoal filter.

Can be integrated invisibly in upper cabinet.

Vario cooktops with intensive production of vapours like VR/VP should be placed in the middle beneath the hood (in this case air recirculation is not recommended).

Clearance above gas appliances min. 65 cm (more than total load gas 12 kW min. 70 cm).

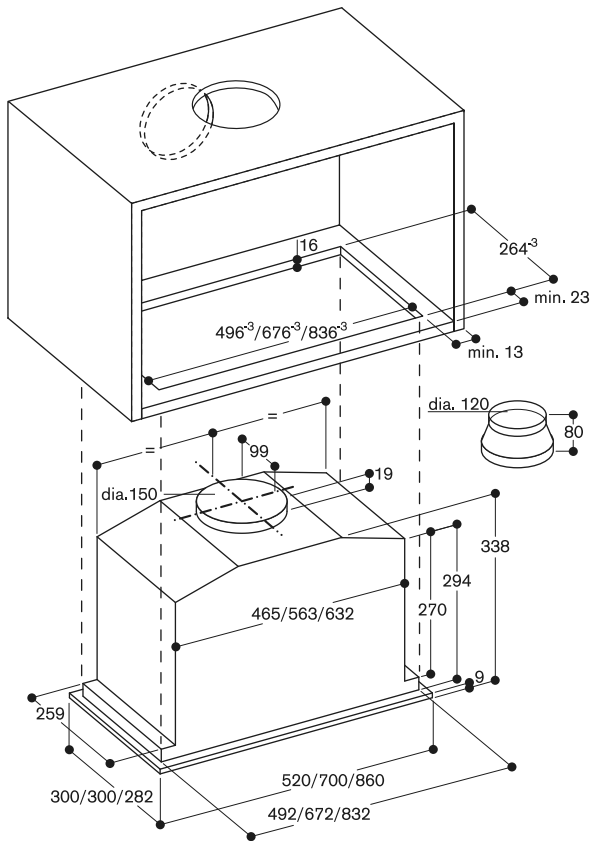
Clearance above electric appliances min. 50 cm.

When installing a ventilation hood with air extraction mode and a chimney-vented fireplace, the power supply line of the ventilation appliance needs a suitable safety switch.

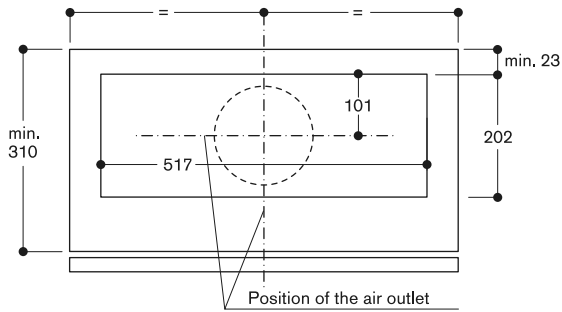
Connection

Total connected load 172 W

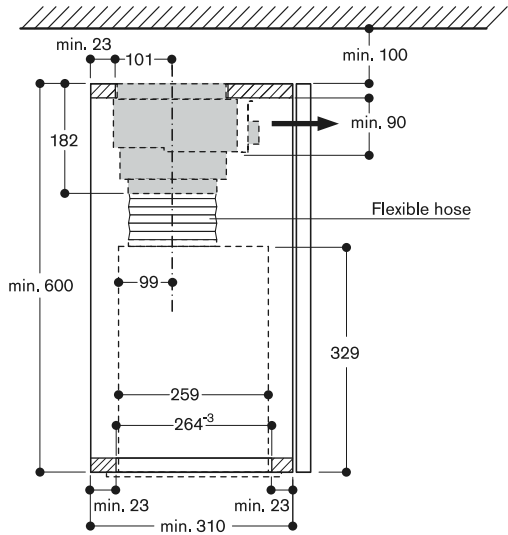
Connecting cable 1.0 m with plug.



View of upper cabinet from above with AC 200 and AA 211 812



Cross-section of upper cabinet with AC 200 and AA 211 812



Accessories and special accessories for extractors

Air recirculation module with activated charcoal filter

AA 442 810

Air recirculation module with activated charcoal filter

For air recirculation.

Can be combined with island and wall-mounted hood AI 442/AW 442.

Odour reduction comparable to air extraction mode (95%).

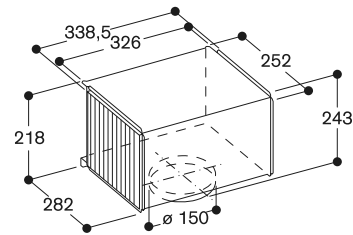
Noise reduction of up to 3 dB when compared to conventional air recirculation filter systems.

Extended change interval for the activated charcoal filter

(approx. 1–1.5 years depending on cooking frequency).

For installation on the inner chimney.

Consisting of filter bracket, 2 activated charcoal filter, flexible hose and 2 hose clamps.



AA 200 812

For air recirculation.

Can be combined with wall-mounted hoods AW 240

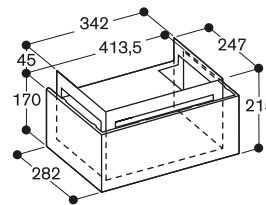
Odour reduction comparable to air extraction mode (95%).

Noise reduction of up to 3 dB when compared to conventional recirculation filter systems.

Extended change interval for the activated charcoal filter.

For installation on the external chimney or internal chimney.

Includes design panel, wall fastening, activated charcoal filter, flexible hose and 2 hose clamps.



AA 200 816

For air recirculation.

Can be combined with island hoods AI 240.

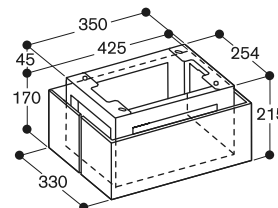
Odour reduction comparable to air extraction mode (95%).

Noise reduction of up to 3 dB when compared to conventional air recirculation filter systems.

Extended change interval for the activated charcoal filter.

For installation on the internal chimney.

Includes design panel, activated charcoal filter, flexible hose and 2 hose clamps.



AA 211 812

Patented air recirculation module including 1 activated charcoal filter with high efficient odour reduction due to increased surface

For air recirculation.

Can be combined with flat kitchen hood series 200/canopy extractor 200 series.

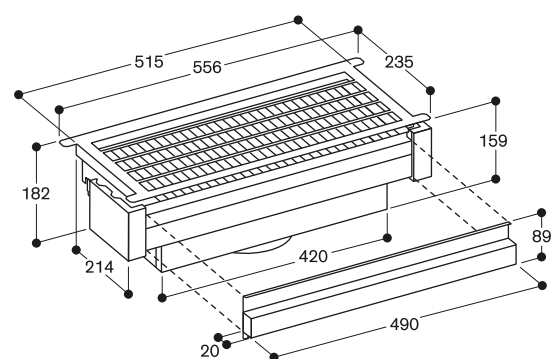
Odour reduction comparable to air extraction mode (95%).

Noise reduction of up to 3 dB when compared to conventional air recirculation filter systems.

Extended change interval for the activated charcoal filter.

For assembly in the upper cabinet.

Consisting of filter housing with design panel, activated charcoal filter, flexible hose and 2 hose clamps.



Removable filter panel

AA 010 811

Stainless steel

AA 012 811

White

For air recirculation.

Can be combined with ceiling ventilation AC 250 and AC 402.

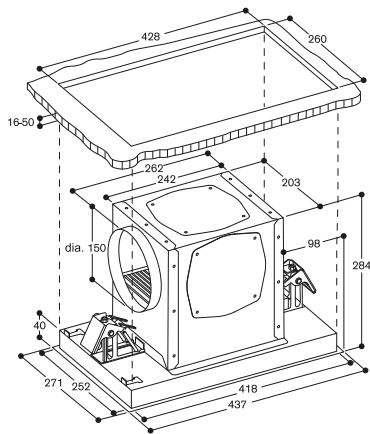
Odour reduction comparable to air extraction mode (95%).

Comprises design panel, wall mount, activated charcoal filter, flexible pipe and 2 hose clamps.

Pipe connection to the front, sideways or at the top.

Connecting pipe DN 150 round.

Recommended minimum gap between filter openings and wall: 100 cm.

**AD 442 392 for AW 442**

AD 442 396 for AI 442

AD 200 392 for AW 240

AD 220 396 for AI 240

Ceiling collar for air chimneys

Stainless steel/aluminium-lacquered

Covers the fixing screws of wall and island air chimneys as well as uneven gaps at not exactly horizontal ceilings. Allows the installation of customised one-piece wall chimneys and island chimneys without telescope.

**Features**

Ceiling fixture for duct and clip-on cover in the color of chimney.

Planning notes

Available for most of the Gaggenau chimney dimensions to fit with standard chimneys.

Ventilation moulding**AA 414 010**

Ventilation moulding for VL 414 next to gas appliance.

**Ventilation moulding****LS 041 001**

Ventilation moulding for VL 200 next to gas appliance.

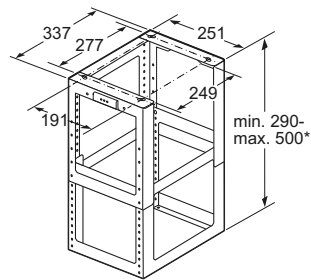


Accessories and special accessories for extractors

Extension for mounting kit for island hood AI 240

AD 223 346

For a chimney height of 1100–1500 mm. Appliance height is dependent on the structure (cabinet height).



* height-adjustable in 10 mm increments

AA 210 492

Lowering frame for 90 cm flat kitchen hood

AA 210 460

Lowering frame for 60 cm flat kitchen hood

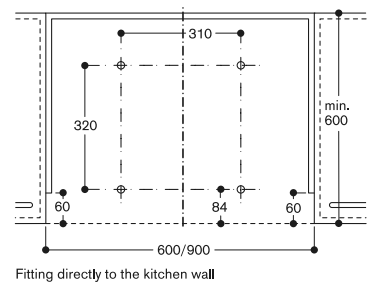
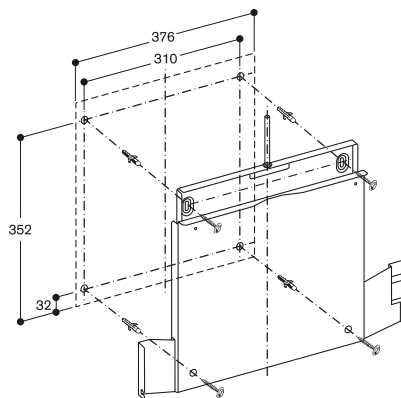
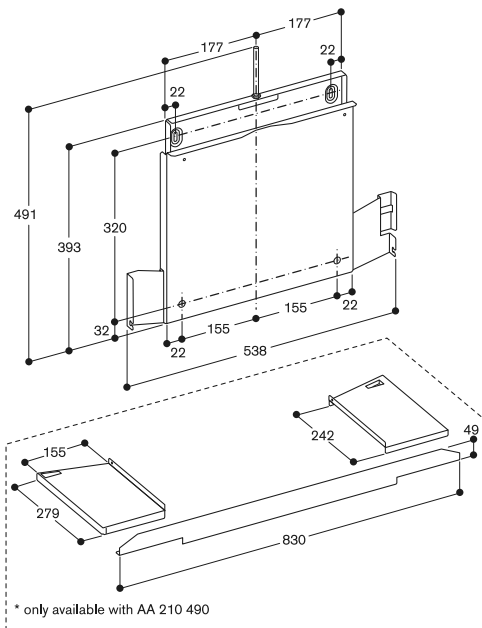
Can be combined with flat kitchen hood series 200.

The patented lowering frame allows the flat kitchen hood to disappear completely into the upper cabinet.

For assembly directly on the kitchen wall or reinforced upper cabinet.

For assembly in the upper cabinet. The required cavity depth of the upper cabinet together with the lowering frame measures 335 mm.

In combination with a back wall panel > 5 mm the lowering frame needs to be lined and the cavity depths must be adapted accordingly.



AA 210 491

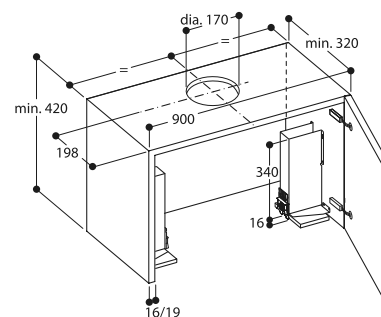
Assembly kit for 90 cm upper cabinet

Can be combined with the 90 cm wide flat kitchen hoods 200 series.

Flat kitchen hood of 200 series For left/right assembly in upper cabinets.

For assembly in the upper cabinet.

If the lowering frame AA 210 492 is used, the assembly kit is not needed



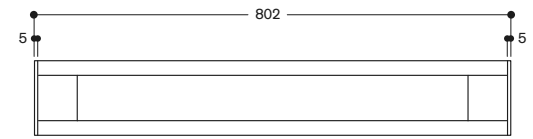
AA 200 900

Kit for surface mounted installation
AL 200
Including 2 trims, each 5 mm width
For the 80 cm and 90 cm variant
Gaggenau Black



AL 200 in combination with induction cooktop in 2 separate cut-outs

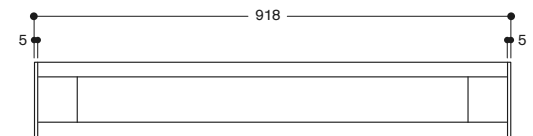
View from above



Measurements in mm

AL 200 in combination with induction cooktop in 2 separate cut-outs

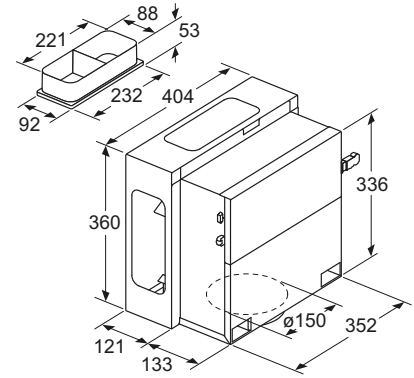
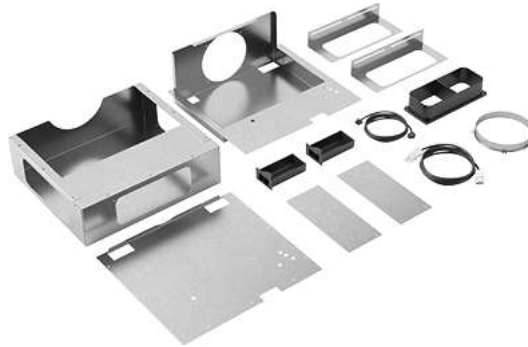
View from above



Measurements in mm

AA 200 910

Installation kit for fan unit at a distance
(3m maximum)
Combinable with the table ventilation
AL 200



VA 200 080

Combinable with the table ventilation

AL 200 180.

VA 200 090

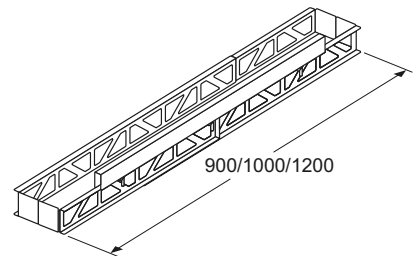
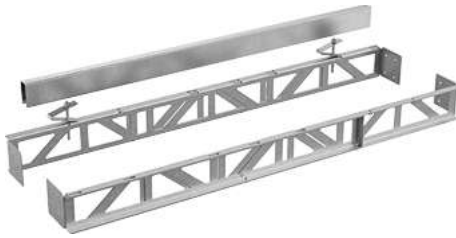
Combinable with the table ventilation

AL 200 190.

Installation kit for installation in a single worktop cut-out.

Consists of a connection strip and furniture supports that ensure cabinet stability.

Adjustable for cabinet widths from 90 cm, 100 cm, 120 cm.



AA 409 401

Furniture support for table ventilation

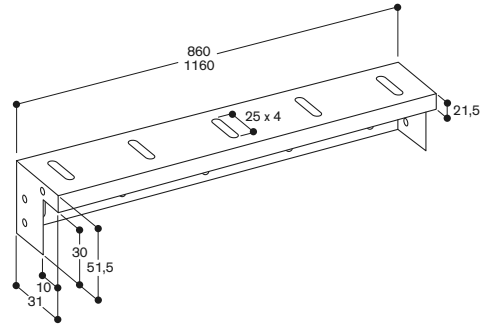
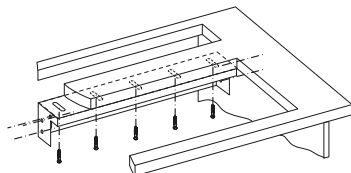
AL 400

90 cm

Can be combined with table ventilation

AL 400.

Recommended as bearer for the worktop, instead of a cabinet frame.



AA 409 431

Furniture support for table ventilation

AL 400

120 cm

Can be combined with table ventilation

AL 400.

Recommended as bearer for the worktop, instead of a cabinet frame.

Accessories and special accessories for extractors

AA 400 510

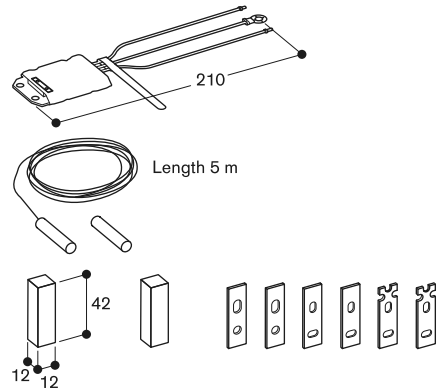
Window contact switch

Can be combined with motorless appliances 400 series.

When installing a ventilation hood with air extraction mode and a chimney-vented fireplace, the power supply line of the ventilation appliance needs a suitable safety switch.

The window contact switch is suitable for this purpose.

The ventilation appliance only works when the window is open if a window contact switch is connected. The lighting works even if the window is closed.



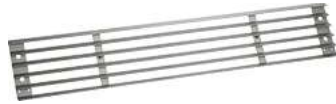
AA 200 510

Remote control for canopy extractor AC 200

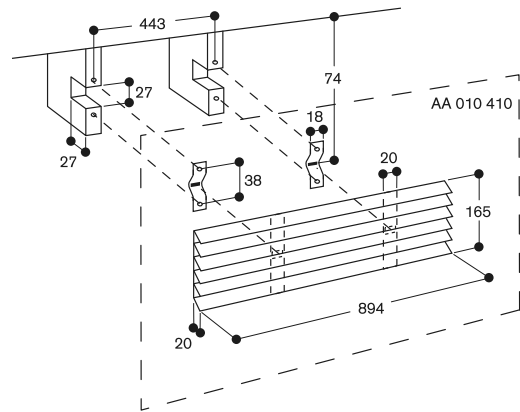


AA 010 410

Air exhaust grille air recirculation
Stainless steel-coloured, 90 cm,
including installation fittings, height
adjustable.



AA 010 410 air exhaust grille



Excellent performance thanks to optimal ducting and installation.

Intelligently selecting and installing the duct system not only has a very positive effect on the output of the ventilation system; it also minimises the noise generated. It is therefore decisive for the efficiency of the entire ventilation system.

The duct type.

In Gaggenau's accessories catalogue, customers can select the type of duct appropriate to their needs, whether aluflex pipe, round duct or a flat duct system. Depending on the duct type, they can choose from the nominal sizes DN 150 and DN 200. For maximum output with minimal noise, the diameter should always be as large as possible.

For straight ducting, the use of plastic or metal ducts with smooth, level inner surfaces is recommended. These enable a laminar flow of air during extraction, without air turbulence. For sections that are not straight and for bends, aluflex pipe are preferred because they make it possible to avoid hard edges.

Where space limitations are a concern, the first choice is the Gaggenau flat duct system. The remarkable design with special conducting fins in the bends and junction pieces allow for a very low height and large nominal size, thus ensuring very efficient air circulation. This also applies in situations where there are many bends. We strongly discourage the use of other flat ducts due to the high output losses in duct bends, duct corners and junction pieces.

Spiral and corrugated ducts should definitely not be used. In addition to displaying the worst flow conditions, these types also tend to flutter and thus generate noise.

The duct diameter.

A good guideline here is: The duct diameter should be as large and constant as possible, while the ducting should be as short and straight as possible. The wall outlet must correspond to the duct diameter.

The building regulations.

Please observe the local applicable building regulation when configuring ventilation solutions.

The plastic flat duct complies with the Needle Flame Test (according to IEC 60695-11-5), the V2 flammability class (according to UL94) and the B1 and B2 building material class (DIN 4102-1) depending on the parts.

The metal ducts are particularly suitable for Vario downdraft and Table ventilation in countries with increased fire protection requirements.

The metal ducts are non-combustible and suitable for all combinations.

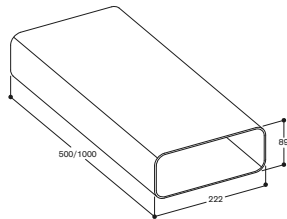
AD 857 015

Flat duct
Plastic, low flammability
DN 150 flat
Length 500 mm



AD 857 010

Flat duct
Plastic, low flammability
DN 150 flat
Length 1000 mm



AD 854 010

Flat duct
Metal
DN 150 flat
Length 1000 mm

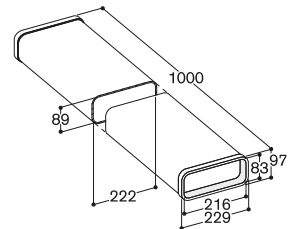


Features

Sealing is pre-assembled on each side.

Planning notes

Suitable for flat duct bends.
To connect 2 flat ducts, a flat duct connecting piece is required.
If the removal of the seal is necessary, the connection must be fastened and sealed with aluminium adhesive tape.



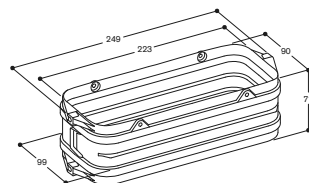
AD 857 040

Flat duct connecting piece
Plastic, low flammability
DN 150 flat
Connector sleeve to connect other plastic flat ducts together.



Features

Integrated sealings for full airtightness without necessity for any adhesiv tape. Easy-to-connect via time saving click mechanism.



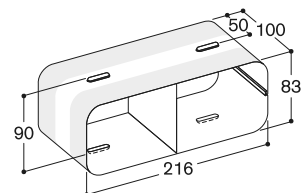
AD 854 040

Flat duct connecting piece
Metal
DN 150 flat
To connect 2 flat ducts.



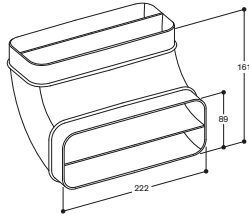
Planning notes

Suitable for flat duct and flat duct flex.

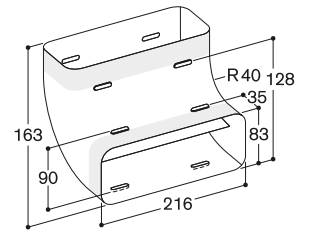


Accessories | special accessories for ventilation appliances

AD 857 030
 Flat duct bend 90° vertical
 Plastic, low flammability
 DN 150 flat

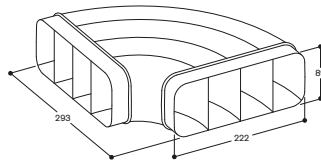


AD 854 030
 Flat duct bend 90° vertical
 Metal
 DN 150 flat

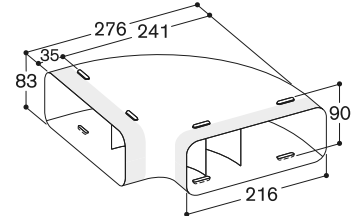
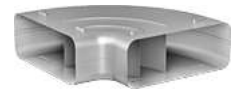


Planning notes
 Suitable for flat duct and flat duct flex.

AD 857 031
 Flat duct bend 90° horizontal
 Plastic, low flammability
 DN 150 flat

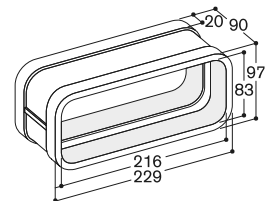


AD 854 031
 Flat duct bend 90° horizontal
 Metal
 DN 150 flat



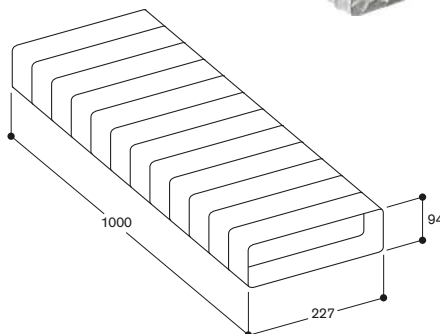
Planning notes
 Suitable for flat duct and flat duct flex.

AD 854 000
 Flat duct bend connecting piece
 Metal
 DN 150 flat
 To connect 2 flat duct bends.

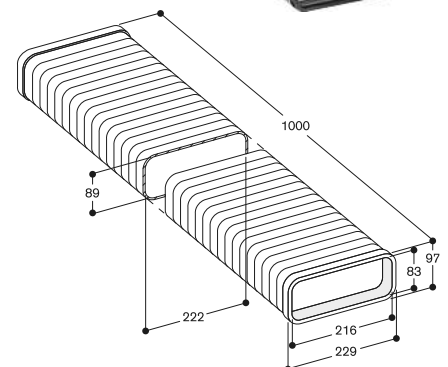


Planning notes
 If the removal of the seal is necessary, the connection must be fastened and sealed with aluminium adhesive tape.

AD 853 011
 Flat duct system flex pipe
 Plastic low flammability
 DN 150 flat
 Length: 1000 mm



AD 858 010
 Flat duct flex pipe
 Metal
 DN 150 flat
 Length 1000 mm



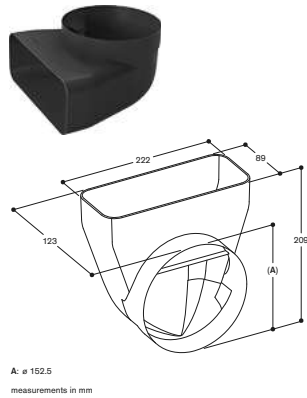
Planning notes
 Suitable for flat duct bends.
 Flat duct flex pipe can be shortened.
 Useful for bends (<90°) or for parallel offsetting.
 If the removal of the seal is necessary, the connection must be fastened and sealed with aluminium adhesive tape.

AD 857 042

Flat duct adapter round 90°
 Plastic, low flammability
 DN 150 flat / round
 Transition from flat duct to round duct.

Planning notes

Suitable for flat duct and flat duct flex.
 Suitable for round duct (with pipe connector), and aluflex pipe.

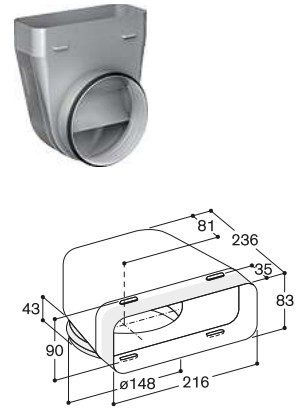


AD 854 032

Flat duct adapter round 90°
 Metal
 DN 150 flat/round
 Transition from flat duct to round duct.

Planning notes

Suitable for flat duct and flat duct flex.
 Suitable for round duct and aluflex pipe.

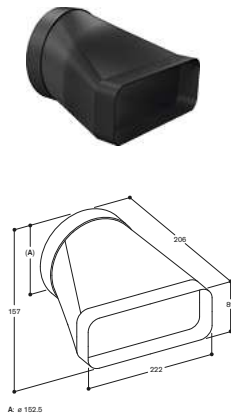


AD 857 041

Flat duct adapter round
 Plastic, low flammability
 DN 150 flat / round
 Transition from flat duct to round duct.

Planning notes

Suitable for flat duct and flat duct flex.
 Suitable for round duct (with pipe connector), and aluflex pipe.

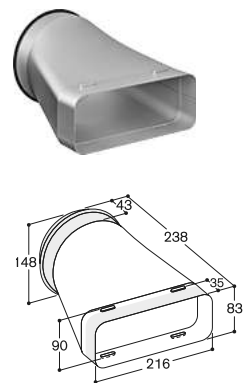


AD 854 041

Flat duct adapter round
 Metal
 DN 150 flat/round
 Transition from flat duct to round duct.

Planning notes

Suitable for flat duct and flat duct flex.
 Suitable for round duct and aluflex pipe.



AD 990 091

Adhesive tape for duct components
 Aluminium
 Width 50 mm
 10 m/roll

Planning notes

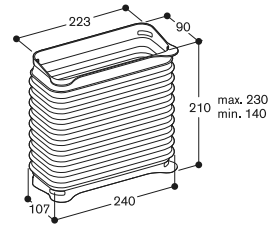
Useful for all connections of duct components.



Accessories | special accessories for ventilation appliances

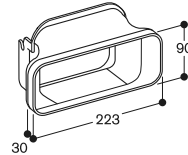
AD 410 040

Flexibel connecting piece for VL 200 and VL 414
DN 150 flat



AD 851 041

Connecting piece VL 200 and VL 414
for extension with flat duct DN 150 for
extra deep worktop

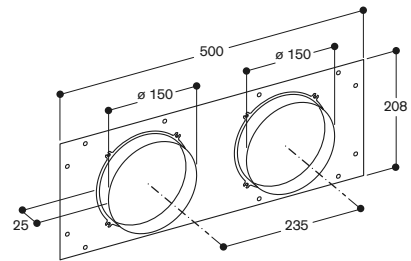


AD 754 049

Connecting piece for AL 400
Metal zinc coated
DN 150 round

Planning notes

Fitting AL 400, front or back side.
2 x DN 150 round duct air intake.

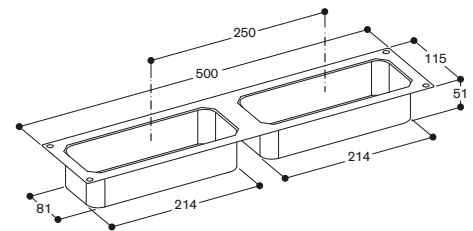


AD 854 050

Connecting piece for AL 400
Metal zinc coated
DN 150 flat

Planning notes

Fitting AL 400, bottom side.
2 x DN 150 flat duct air intake.

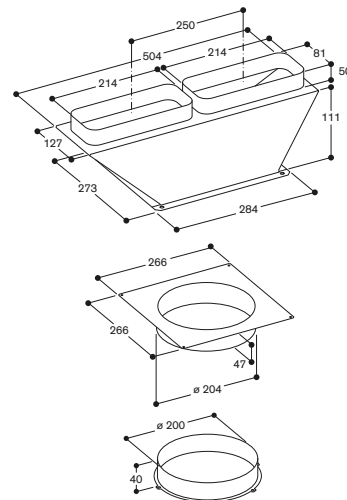


AD 704 050

Air collector box for AL 400
Metal zinc coated
DN 150 flat

Planning notes

1 x Air collector box.
2 x DN 150 flat duct air intake.
To connect AL 400 to the remote fan
unit AR 403 / AR 413 bottom side.
1 x DN 200 round duct air outlet.
To connect AL 400 to the remote fan
unit AR 401 (in combination with the
air collector).
1 x DN 200 round duct air intake.
To connect AL 400 to the remote fan
unit AR 403 in the cellar (in combina-
tion with the air collector and the DN
200 air outlet).

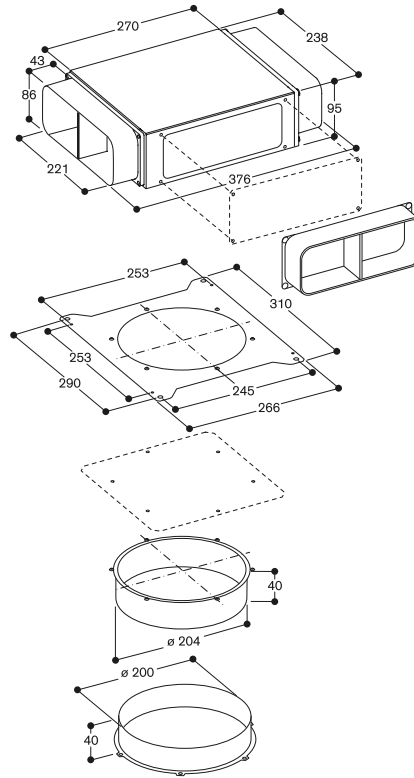


AD 854 048

Air collector box DN 150 flat duct

Planning notes

For connecting two filter modules AC 402, integrate a controle module with or without light in between:
 2 x DN 150 flat duct air intake.
 1 x DN 150 flat duct air outlet.

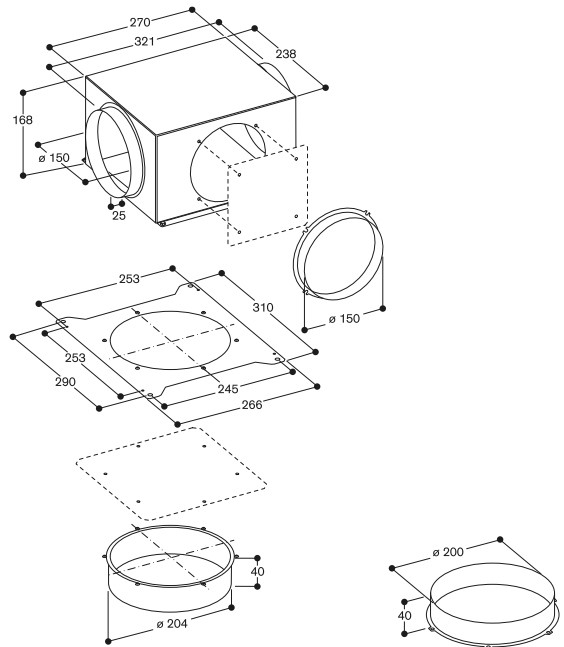


AD 754 048

Air collector box DN 150 round pipe

Planning notes

For connecting two filter modules AC 402, integrate a controle module with or without light in between:
 2 x DN 150 round duct air intake.
 1 x DN 150 round duct air outlet.

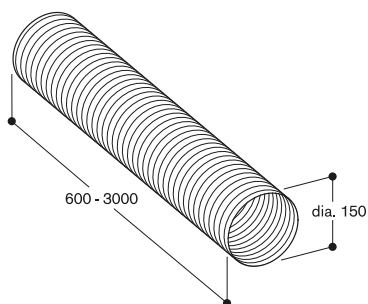


AD 751 010

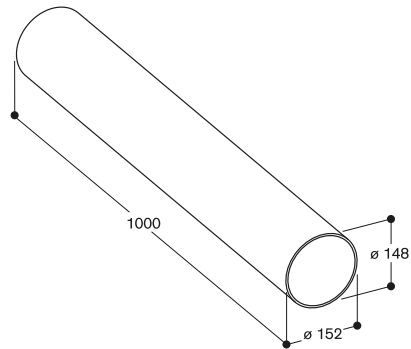
Aluflex pipe
 Aluminium
 DN 150 round

Planning notes

Recommended only for routing ducting through air paths which are not in a straight line or for round wall and floor apertures. 2 hose clamps enclosed. For combination with all adapters, press the pipe wall flat at the ends. 2 aluflex pipes must be connected with a pipe connection piece for aluflex pipes.

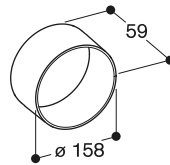


AD 752 010
 Round duct
 Plastic, low flammability
 DN 150 round



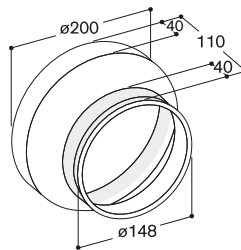
Planning notes
 2 round ducts must be connected with the pipe connector AD 754 090.

AD 754 090
 Pipe connector for plastic pipe
 Plastic
 DN 150 round



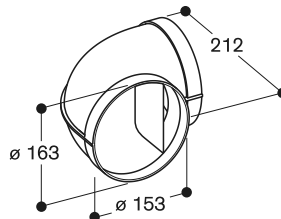
Planning notes
 2 round ducts must be connected with the pipe connector AD 754 090.

AD 704 040
 Pipe adapter DN 200/150 round
 Metal zinc plated
 DN 200 round
 Reduce DN 200 connection to DN 150 connection.

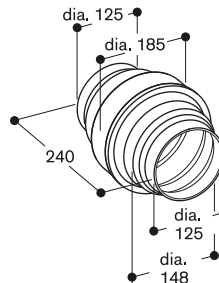


Planning notes
 Can be combined with telescopic wall-duct DN 200 and pipe connector DN 150.

AD 752 030
 Duct bend 90°
 Plastic
 DN 150 round



AD 752 070
 Condensation trap
 Plastic
 DN 150 round



Planning notes
 Recommended under vertical pipe sections. Installation on the bottom end of the pipe.

AD 990 090
 Adhesive tape for duct components
 Plastic
 10 m/roll



Planning notes
 In order that ducting is well sealed and air leaks are consequently prevented, the adhesive tape AD 990 090 is necessary at all pipe connection piece points. The adhesive tape is heat- and UV-resistant.

AD 700 051

Wall outlet

Stainless steel
DN 200 round

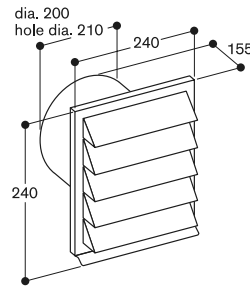
Little loss of airflow due to large stainless steel outlet louvers.

Features

Weatherproof stainless steel louvers.
Integrated one-way flap.
Connecting piece DN 200 round

Planning notes

For use with telescopic wall-duct
AD 702
Wall breakthrough \varnothing 210 mm



AD 850 050

Wall outlet

Stainless steel
DN 150 flat

Little loss of airflow due to large stainless steel outlet louvers.

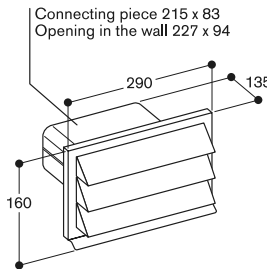
Compact dimensions by flat structure.
Connecting piece flat duct DN 150.

Features

Weatherproof stainless steel louvers.
Integrated one-way flap.

Planning notes

Direct connection of flat duct DN 150
without pipe connector.



AD 702 052

Telescopic wall-duct

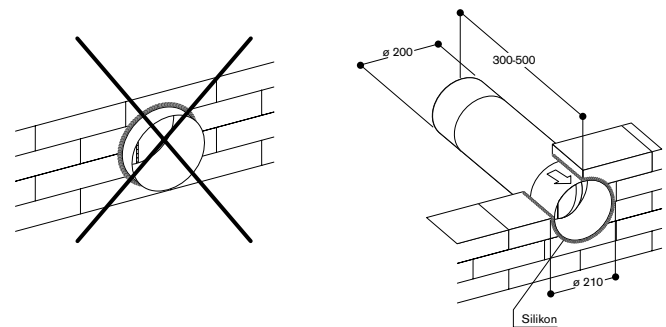
Stainless steel
DN 200 round

Features

Connecting piece DN 200 round.
Integrated one-way flap.

Planning notes

For use with wall outlet AD 700 051 or
remote fan unit AR 401.



AD 750 054

Wall outlet with telescopic duct

Stainless steel/plastic
DN 150 round

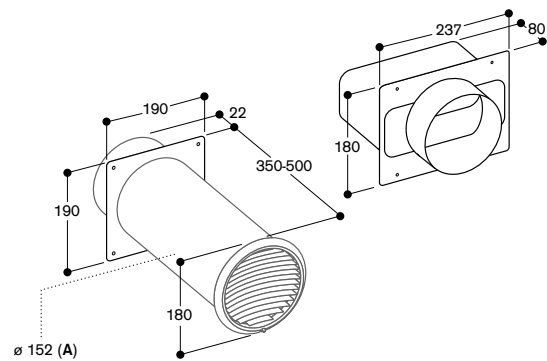
Optimal temperature insulation.
Hermetically sealed by an optimized
built-in heat retention system. Flat stainless steel cover with minimal effect to the aesthetics of the building exterior facade.

Features

Weatherproof stainless steel louvers.
3-times insulating Backflow system.
Magnetic opening and closing.
Defined opening pressure (65 Pa)
prevents rattling.
Full opening even at low flow rates.
Telescopic wall duct 350 - 500 mm for
round pipe connection piece DN 150.

Planning notes

Conform to blower-door test.
For connection of round pipe DN 150
or flat pipe DN 150. Wall breakthrough
 \varnothing 155 mm.



A: Drilling \varnothing 155
measurements in mm



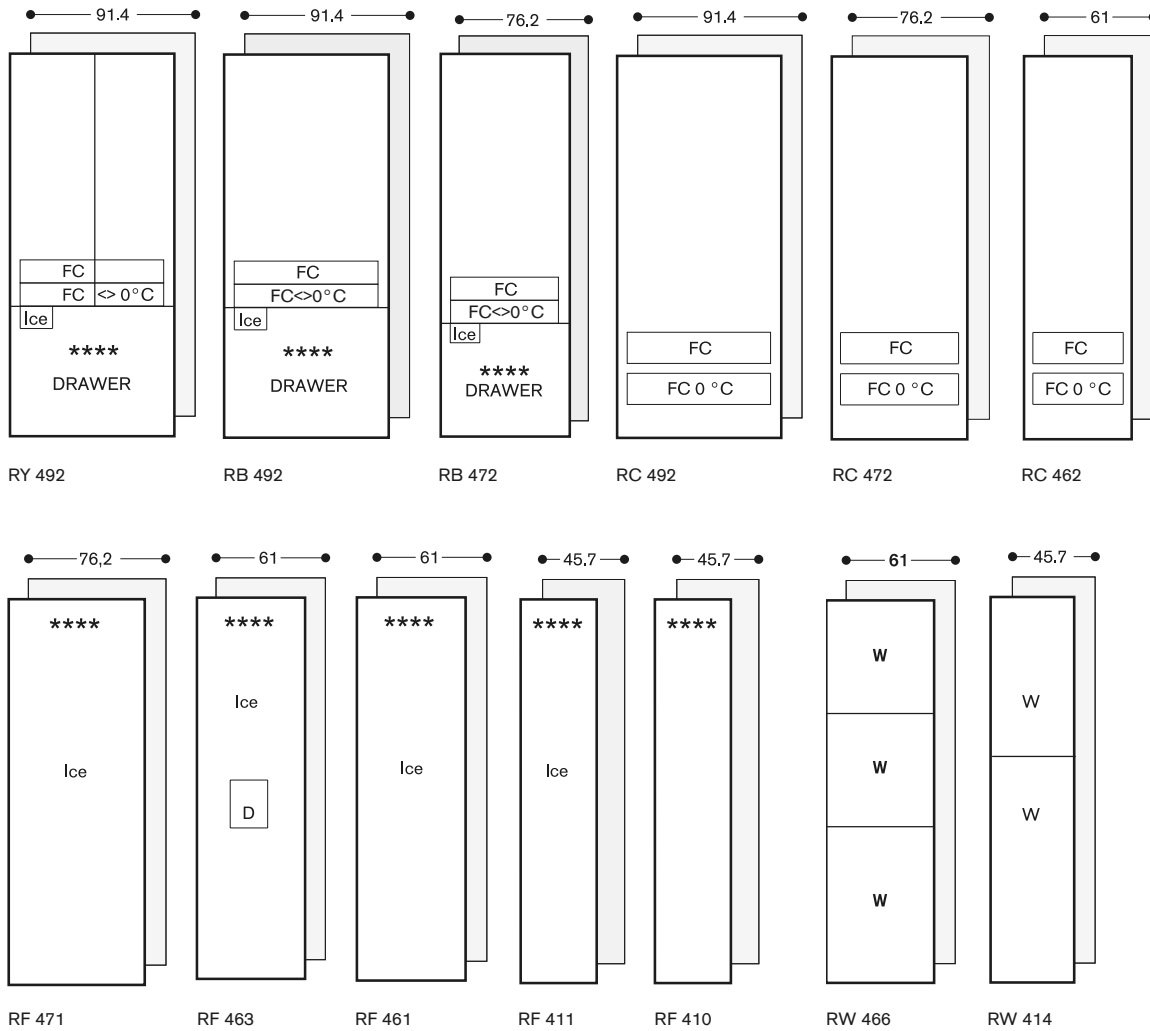
The cooling appliances

Overviews	254
Vario cooling 400 series: Cooling, freezing and wine	258
Planning notes Vario cooling 400 series	284
Vario cooling 200 series: Cooling and freezing	292
Cooling appliances 200 series	296
Planning notes Vario cooling and cooling 200 series	305
Wine	306
Accessories special accessories	310

Overview

Vario cooling 400 series

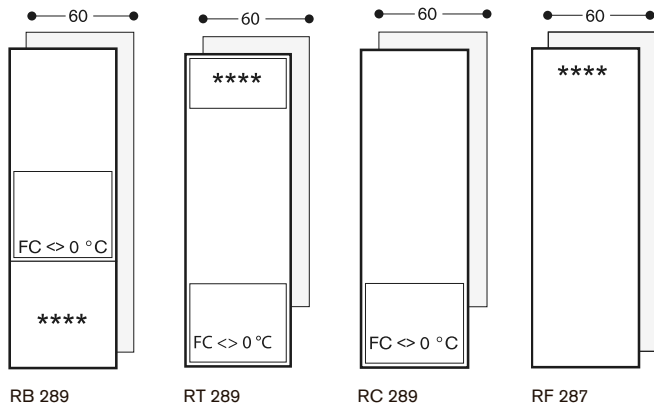
Niche 213 cm



- FC:** Fresh cooling
- FC $\leftrightarrow 0^{\circ}\text{C}$:** Fresh cooling close to 0°C
- FC 0°C :** Fresh cooling 0°C
- W:** Wine
- D:** Ice and water dispenser
- Ice:** Ice maker

Vario cooling 200 series

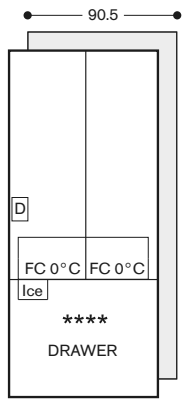
Niche 178 cm



Overview

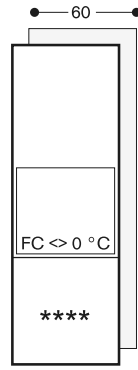
Cooling 200 series

Freestanding / Height 183 cm

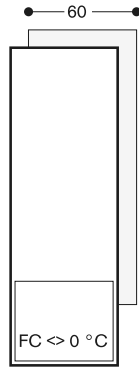


RY 295

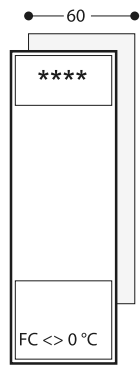
Niche 178 cm



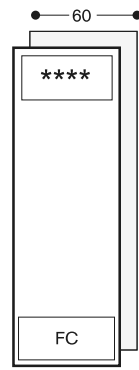
RB 282



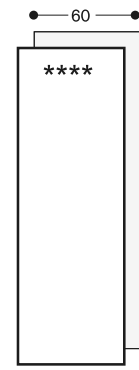
RC 282



RT 282

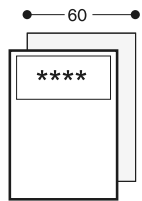


RT 282

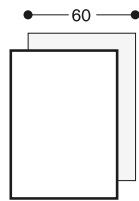


RF 282

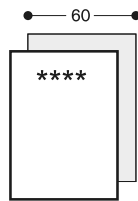
Niche 82 cm / Under-counter



RT 200



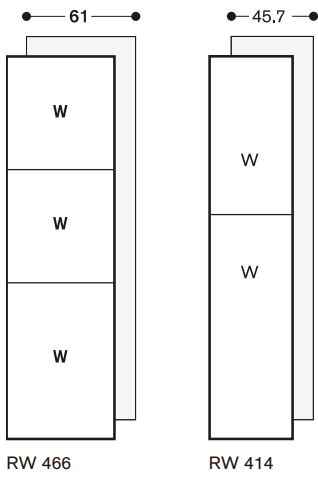
RC 200



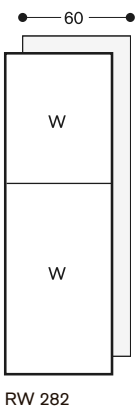
RF 200

Wine climate cabinet

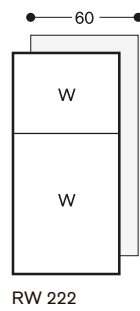
Niche 213 cm



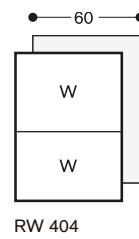
Niche 178 cm



Niche 123 cm



Niche 82 cm / Under-counter





RY 492 305

With fresh cooling close to 0 °C
Fully integrated
Niche width 91.4 cm,
Niche height 213.4 cm
Cooling section with two doors and
one fully extendable freezing drawer



Included in the price

- 1 egg holder with lid
- 1 ice cube scoop

Installation accessories

RA 421 912

Stainless steel door panels with
handles

For RY 492, panel thickness 19 mm.

RA 423 340

Side trims, 2 pieces, for RY and RB.

RA 425 110

Handle bar, stainless steel, long
With 3 mounts, length 1131 mm,
height 49 mm, drilling distance
between each mount 554 mm.

RA 425 910

Handle bar, stainless steel, short
For RB/RY 492 and RW 222,
with 2 mounts, length 810 mm,
height 49 mm, drilling distance
between the mounts 787 mm.

RA 428 912

Stainless steel door panels, handleless
For RY 492, panel thickness 19 mm.

RA 460 000

Accessory for side-by-side installation.
Not required if appliances are installed
more than 160 mm apart from each other.
Included in delivery for RF and RW.

RA 460 013

Additional side heating element 230 V.
Required if appliances are installed
with a distance greater than 16 mm and
less than 160 mm next to each other
and for all built-in situations in a very
humid environment. Not required if
appliances are installed more than
160 mm apart from each other.

RA 460 030

Connecting element for vertically split
fronts (for fridge-freezer combination).

RA 464 913

Ventilation grille stainless steel
For RB/RY 492.

Vario fridge-freezer combination 400 series

RY 492

- Stainless steel interior with solid
anthracite aluminium elements
- Warm white and glare-free LED
light spots
- Opening assist for door with two
options:
 1. Push-to-open function for
integration into handleless furniture
front
 2. Pull-to-open function to facilitate
opening the door using a handle
- Flat stainless steel inner doors
- Almost invisible rail system for
shelves and door racks for flexible
positioning
- Solid anthracite aluminium door
racks
- 1 fresh cooling drawer close to
0 °C with manually adjustable
temperature and 1 fresh cooling
drawer with manually adjustable
humidity
- Integrated ice maker with fixed inlet
water connection
- 1 asymmetrically split glass shelf,
height adjustable
- Fully extendable freezer drawer with
practical divider in anthracite
- TFT touch display
- Total volume 552 litres

Handling

TFT touch display operation.
Clear text display.

Technical Features

Dynamic cold air distribution.
Automatic defrosting with defrost water
evaporation.
Cushioned door closing system.
Activated charcoal air filter.
Rest mode certified by Star-K.
When rest mode is active, the
appliance can only be opened using a
handle.
Open-door and malfunction alarm.

Home network integration for digital
services (Home Connect) wireless via
WiFi.

The use of the Home Connect
functionality depends on the Home
Connect services, which are not
available in every country. For further
information please check:
home-connect.com.

Please read additional information on
Home Connect on page 345.

Cooling

No-Frost technology with fast cooling.
Temperature adjustable from
+2 °C to +8 °C.
1 safety glass shelf, white glass,
individually adjustable in height.
1 asymmetrically split safety glass
shelf, with manual height adjustment.
1 integrated shelf with satin-finished glass.
4 brilliant LED light spots with warm
white, glare-free light (3500 K) within
cooling area and drawers.
Flat door rail system with fully flexible
positioning of door racks.
6 height-adjustable door racks,
2 of which are extra deep.
Total volume all refrigerator
compartments 386 litres.

Special accessories

RA 430 100

Storage container with transparent lid,
anthracite.

RA 450 012

Activated charcoal filter for water filter
system

For RB, RY, RF.

For RF 4*1 **4 and RF 463 **4/5 from
FD 9007.

Fresh cooling close to 0 °C

1 fully extendable fresh cooling drawer
close to 0 °C with transparent front,
illuminated.

Cushioned closing system.

Temperature can be adjusted manually.
Ideal for meat, fish and poultry.

Fresh cooling

1 fully extendable fresh cooling drawer
with transparent front, illuminated.

Cushioned closing system.

Humidity can be adjusted manually.
Ideal for fruit and vegetables.

Freezing

No-Frost technology with fast freezing
at -30 °C.

Temperature adjustable from

-14 °C to -24 °C.

4-star freezer compartment.

Freezing capacity 14 kg/24 h.

Storage time after a malfunction 13 h.

2 fully extendable drawers, one of them
inside. Outer drawer with synchronously
running pull-out rails.

Interior lighting with 2 LED light spots,
warm white light.

Volume 166 litres.

Ice maker

Integrated in the freezer compartment,
with fixed inlet water connection.

Particle filter for water inlet, integrated
in ventilation grille area.

Saturation indicator shown in TFT
touch display.

Can be switched off.

Ice cube production approx. 1.6 kg/24
h.

Removable ice storage container with
approx. 3 kg capacity.

Consumption data

Energy efficiency class F at a range of
energy efficiency classes from A to G.
Energy consumption 415 kWh/year.
Noise level 42 dB (A) re 1 pW.

Planning notes

Flat hinge.

Door opening angle of 115°,
fixable at 90°.

Max. door panel weight:

Each door 67 kg.

Drawer 12 kg.

Shut-off valve for water connection
must be planned next to the appliance
and always be accessible.

If the water pressure exceeds
0.8 MPa (8 bar), connect pressure
relief valve between water tap and
hose set.

Please read additional planning notes
on page 284 – 291.

Connection

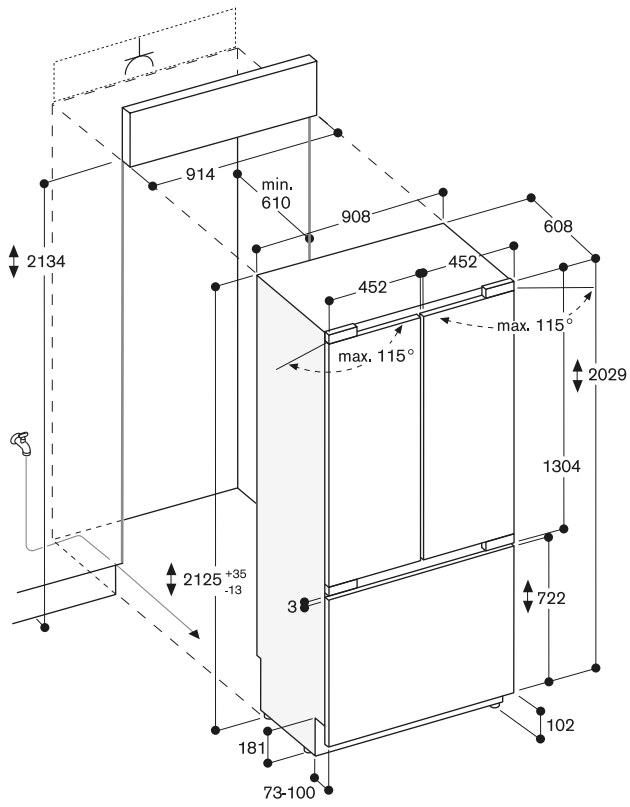
Total connected load 0.300 kW.

Connecting cable 3.0 m, pluggable.

Water inlet.

Supply hose 2.0 m with 3/4" ³
connection.

Water pressure 2 to 8 bar.



The maximum door panel dimensions are based on a clearance of 3 mm.



RB 492 305

With fresh cooling close to 0 °C
Fully integrated
Niche width 91.4 cm,
Niche height 213.4 cm
Cooling section with one door and one fully extendable freezing drawer



Included in the price

- 1 egg holder with lid
- 1 ice cube scoop

Installation accessories

RA 421 910

Stainless steel door panels with handles

For RB 492, panel thickness 19 mm.

RA 423 340

Side trims, 2 pieces, for RY and RB.

RA 425 110

Handle bar, stainless steel, long
With 3 mounts, length 1131 mm,
height 49mm, drilling distance between each mount 554 mm.

RA 425 910

Handle bar, stainless steel, short
For RB/RY 492 and RW 222,
with 2 mounts, length 810 mm,
height 49mm, drilling distance between the mounts 787 mm.

RA 428 910

Stainless steel door panels, handleless
For RB 492, panel thickness 19 mm.

RA 460 000

Accessory for side-by-side installation.
Not required if appliances are installed more than 160 mm apart from each other.
Included in delivery for RF and RW.

RA 460 013

Additional side heating element 230 V.
Required if appliances are installed with a distance greater than 16 mm and less than 160 mm next to each other and for all built-in situations in a very humid environment. Not required if appliances are installed more than 160 mm apart from each other.

RA 460 030

Connecting element for vertically split fronts (for fridge-freezer combination).

RA 464 913

Ventilation grille stainless steel
For RB/RY 492.

Vario fridge-freezer combination 400 series

RB 492

- Stainless steel interior with solid anthracite aluminium elements
- Warm white and glare-free LED light spots
- Opening assist for door with two options:
 1. Push-to-open function for integration into handleless furniture front
 2. Pull-to-open function to facilitate opening the door using a handle
- Flat stainless steel inner door, full-length
- Almost invisible rail system for shelves and door racks for flexible positioning
- Solid anthracite aluminium door racks
- 1 fresh cooling drawer close to 0 °C with manually adjustable temperature and 1 fresh cooling drawer with manually adjustable humidity
- Integrated ice maker with fixed inlet water connection
- Fully extendable freezer drawer with practical divider in anthracite
- TFT touch display
- Total volume 555 litres

Handling

TFT touch display operation.
Clear text display.

Technical Features

Dynamic cold air distribution.
Automatic defrosting with defrost water evaporation.
Cushioned door closing system.
Activated charcoal air filter.
Rest mode certified by Star-K.
When rest mode is active, the appliance can only be opened using a handle.
Open-door and malfunction alarm.

Home network integration for digital services (Home Connect) wireless via WiFi.

The use of the Home Connect functionality depends on the Home Connect services, which are not available in every country. For further information please check: home-connect.com.

Please read additional information on Home Connect on page 345.

Cooling

No-Frost technology with fast cooling.
Temperature adjustable from +2 °C to +8 °C.
2 safety glass shelves, white glass, individually adjustable in height.
1 integrated shelf with satin-finished glass.
4 brilliant LED light spots with warm white, glare-free light (3500 K) within cooling area and drawers.
Flat door rail system with fully flexible positioning of door racks.
3 height adjustable door racks, 1 of which is extra deep.
Total volume all refrigerator compartments 389 litres.

Special accessories

RA 430 100

Storage container with transparent lid, anthracite.

RA 450 012

Activated charcoal filter for water filter system

For RB, RY, RF.

For RF 4*1 **4 and RF 463 **4/5 from FD 9007.

Fresh cooling close to 0 °C

1 fully extendable fresh cooling drawer close to 0 °C with transparent front, illuminated.

Cushioned closing system.

Temperature can be adjusted manually.
Ideal for meat, fish and poultry.

Fresh cooling

1 fully extendable fresh cooling drawer with transparent front, illuminated.

Cushioned closing system.

Humidity can be adjusted manually.

Ideal for fruit and vegetables.

Freezing

No-Frost technology with fast freezing at -30 °C.

Temperature adjustable from

-14 °C to -24 °C.

4-star freezer compartment.

Freezing capacity 14/14 kg/24 h.

Storage time after a malfunction 13/13 h.

2 fully extendable drawers, one of them inside. Outer drawer with synchronously running pull-out rails.

Interior lighting with 2 LED light spots, warm white light.

Volume 166 litres.

Ice maker

Integrated in the freezer compartment, with fixed inlet water connection.

Particle filter for water inlet, integrated in ventilation grille area.

Saturation indicator shown in TFT touch display.

Can be switched off.

Ice cube production approx.

1.6 kg/24 h.

Removable ice storage container with approx. 3 kg capacity.

Consumption data

Energy efficiency class E at a range of energy efficiency classes from A to G.
Energy consumption 326 kWh/year.
Noise level 42 dB (A) re 1 pW.

Planning notes

Flat hinge.

Door hinge right, reversible.

Door opening angle of 115°, fixable at 90°.

Max. door panel weight:

Door 41 kg.

Drawer 12 kg.

Shut-off valve for water connection must be planned next to the appliance and always be accessible.

If the water pressure exceeds 0.8 MPa (8 bar), connect pressure relief valve between water tap and hose set.

Please read additional planning notes on page 284 – 291.

Connection

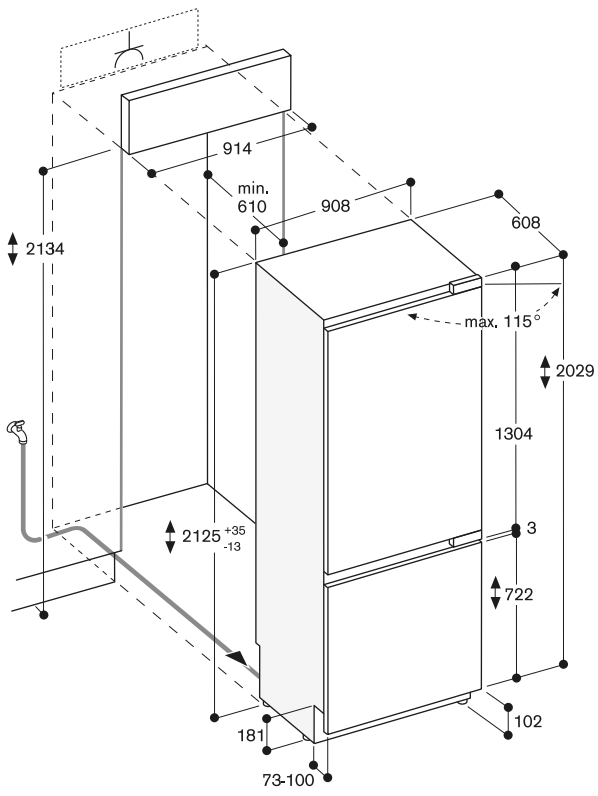
Total connected load 0.300 kW.

Connecting cable 3.0 m, pluggable.

Water inlet.

Supply hose 2.0 m with 3/4" connection.

Water pressure 2 to 8 bar.



The maximum door panel dimensions are based on a clearance of 3 mm.



RB 472 305

With fresh cooling close to 0 °C
Fully integrated
Niche width 76.2 cm,
Niche height 213.4 cm
Cooling section with one door and one
fully extendable freezing drawer



Included in the price

- 1 egg holder with lid
- 1 ice cube scoop

Installation accessories

RA 421 712

Stainless steel door panels with
handles

For RB 472, panel thickness 19 mm.

RA 423 340

Side trims, 2 pieces, for RY and RB.

RA 425 110

Handle bar, stainless steel, long
With 3 mounts, length 1131 mm,
height 49mm, drilling distance between
each mount 554 mm.

RA 425 710

Handle bar, stainless steel, short
For RB 472, with 2 mounts,
length 658 mm, height 49mm,
drilling distance between the mounts
637 mm.

RA 428 712

Stainless steel door panels, handleless
For RB 472, panel thickness 19 mm.

RA 460 000

Accessory for side-by-side installation.
Not required if appliances are installed
more than 160 mm apart from each other.
Included in delivery for RF and RW.

RA 460 013

Additional side heating element 230 V.
Required if appliances are installed
with a distance greater than 16 mm and
less than 160 mm next to each other
and for all built-in situations in a very
humid environment. Not required if
appliances are installed more than
160 mm apart from each other.

RA 460 030

Connecting element for vertically split
fronts (for fridge-freezer combination).

RA 464 713

Ventilation grille stainless steel
For RB 472.

Vario fridge-freezer combination 400 series

RB 472

- Stainless steel interior with solid
anthracite aluminium elements
- Warm white and glare-free LED
light spots
- Opening assist for door with two
options:
 1. Push-to-open function for
integration into handleless furniture
front
 2. Pull-to-open function to facilitate
opening the door using a handle
- Flat stainless steel inner door,
full-length
- Almost invisible rail system for
shelves and door racks for flexible
positioning
- Solid anthracite aluminium door
racks
- 1 fresh cooling drawer close to
0 °C with manually adjustable
temperature and 1 fresh cooling
drawer with manually adjustable
humidity
- Integrated ice maker with fixed inlet
water connection
- Fully extendable freezer drawer with
practical divider in anthracite
- TFT touch display
- Total volume 452 litres

Handling

TFT touch display operation.
Clear text display.

Technical Features

Dynamic cold air distribution.
Automatic defrosting with defrost water
evaporation.
Cushioned door closing system.
Activated charcoal air filter.
Rest mode certified by Star-K.
When rest mode is active, the appliance
can only be opened using a handle.
Open-door and malfunction alarm.

Home network integration for digital
services (Home Connect) wireless via
WiFi.

The use of the Home Connect
functionality depends on the Home
Connect services, which are not
available in every country. For further
information please check:
home-connect.com.

Please read additional information on
Home Connect on page 345.

Cooling

No-Frost technology with fast cooling.
Temperature adjustable from
+2 °C to +8 °C.
2 safety glass shelves, white glass,
individually adjustable in height.
1 integrated shelf with satin-finished glass.
4 brilliant LED light spots with warm
white, glare-free light (3500 K) within
cooling area and drawers.
Flat door rail system with fully flexible
positioning of door racks.
3 height adjustable door racks,
1 of which is extra deep.
Total volume all refrigerator
compartments 316 litres.

Special accessories

RA 430 100

Storage container with transparent lid,
anthracite.

RA 450 012

Activated charcoal filter for water filter
system

For RB, RY, RF.

For RF 4*1 **4 and RF 463 **4/5 from
FD 9007.

Fresh cooling close to 0 °C

1 fully extendable fresh cooling drawer
close to 0 °C with transparent front,
illuminated.

Cushioned closing system.

Temperature can be adjusted manually.
Ideal for meat, fish and poultry.

Fresh cooling

1 fully extendable fresh cooling drawer
with transparent front, illuminated.

Cushioned closing system.

Humidity can be adjusted manually.
Ideal for fruit and vegetables.

Freezing

No-Frost technology with fast freezing
at -30 °C.

Temperature adjustable from

-14 °C to -24 °C.

4-star freezer compartment.

Freezing capacity 14/14 kg/24 h.

Storage time after a malfunction 13/13 h.

2 fully extendable drawers, one of them
inside. Outer drawer with synchronously
running pull-out rails.

Interior lighting with 2 LED light spots,
warm white light.

Volume 136 litres.

Ice maker

Integrated in the freezer compartment,
with fixed inlet water connection.

Particle filter for water inlet, integrated
in ventilation grille area.

Saturation indicator shown in TFT
touch display.

Can be switched off.

Ice cube production approx.

1.7 kg/24 h.

Removable ice storage container with
approx. 3 kg capacity.

Consumption data

Energy efficiency class E at a range of
energy efficiency classes from A to G.
Energy consumption 295 kWh/year.
Noise level 42 dB (A) re 1 pW.

Planning notes

Flat hinge.

Door hinge right, reversible.

Door opening angle of 115 °,
fixable at 90 °.

Max. door panel weight:

Door 47 kg.

Drawer 10 kg.

Shut-off valve for water connection
must be planned next to the appliance
and always be accessible.

If the water pressure exceeds
0.8 MPa (8 bar), connect pressure
relief valve between water tap and
hose set.

Please read additional planning notes
on page 284 – 291.

Connection

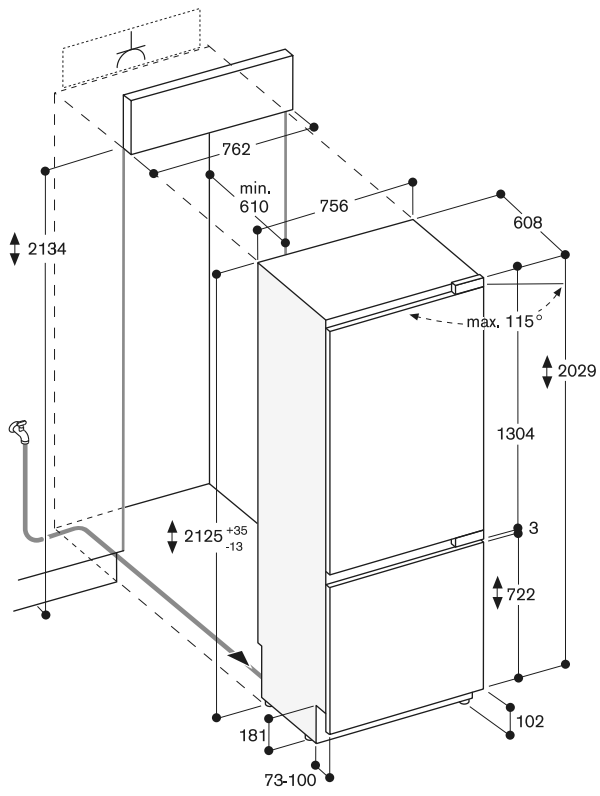
Total connected load 0.300 kW.

Connecting cable 3.0 m, pluggable.

Water inlet.

Supply hose 2.0 m with 3/4 " connection.

Water pressure 2 to 8 bar.



The maximum door panel dimensions are based on a clearance of 3 mm.



RC 492 305

With fresh cooling 0 °C
Fully integrated
Niche width 91.4 cm,
Niche height 213.4 cm



Installation accessories

RA 421 911

Stainless steel door panel with handle
For 91.4 cm wide appliances, panel
thickness 19 mm.

RA 423 140

Side trims, long.

RA 425 110

Handle bar, stainless steel, long
With 3 mounts, length 1131 mm,
height 49mm, drilling distance between
each mount 554 mm.

RA 428 911

Stainless steel door panel, handleless
For 91.4 cm wide appliances, panel
thickness 19 mm.

RA 460 000

Accessory for side-by-side installation.
Not required if appliances are installed
more than 160 mm apart from each other.
Included in delivery for RF and RW.

Vario refrigerator 400 series

RC 492

- Stainless steel interior with solid anthracite aluminium elements
- Warm white and glare-free LED light spots
- Opening assist for door with two options:
 1. Push-to-open function for integration into handleless furniture front
 2. Pull-to-open function to facilitate opening the door using a handle
- The drawers in the RC and RF models are positioned at the same height. With side-by-side installation, the glass shelves and door racks can be aligned on the same level
- Flat stainless steel inner door, full-length
- Almost invisible rail system for shelves and door racks for flexible positioning
- Solid anthracite aluminium door racks
- 1 fresh cooling drawer 0 °C with temperature control from -1 °C to +3 °C and 1 fresh cooling drawer with manually adjustable humidity
- TFT touch display
- Total volume 579 litres

Handling

TFT touch display operation.
Clear text display.

Technical Features

Dynamic cold air distribution.
Automatic defrosting with defrost water evaporation.
Cushioned door closing system.
Activated charcoal air filter.
Rest mode certified by Star-K.
When rest mode is active, the appliance can only be opened using a handle.
Open-door and malfunction alarm.

Home network integration for digital services (Home Connect) wireless via WiFi.

The use of the Home Connect functionality depends on the Home Connect services, which are not available in every country. For further information please check: home-connect.com.

Please read additional information on Home Connect on page 345.

Cooling

Fast cooling.
Temperature adjustable from +2 °C to +8 °C.
3 safety glass shelves, white glass, individually adjustable in height.
1 shallow, fully extendable drawer with transparent front.
1 integrated shelf with satin-finished glass.
Cushioned closing system.
4 brilliant LED light spots with warm white, glare-free light (3500 K) within cooling area and drawers.
Flat door rail system with fully flexible positioning of door racks.
3 height adjustable door racks, 1 of which is extra deep.
Volume 494 litres.

RA 460 013

Additional side heating element 230 V. Required if appliances are installed with a distance greater than 16 mm and less than 160 mm next to each other and for all built-in situations in a very humid environment. Not required if appliances are installed more than 160 mm apart from each other.

RA 460 020

Connecting element for vertically split appliance fronts (for a flush front).

RA 464 911

Ventilation grille stainless steel
For 91.4 cm wide appliances.

Special accessories

RA 430 100

Storage container with transparent lid, anthracite.

Fresh cooling 0 °C

1 large, fully extendable fresh cooling 0 °C drawer with transparent front, illuminated.
Cushioned closing system.
Temperature control via central TFT display, temperature can be adjusted from -1 °C to +3 °C.
Ideal for meat, fish and poultry.
Volume 85 litres.

Fresh cooling

1 fully extendable fresh cooling drawer with transparent front, illuminated.
Cushioned closing system.
Humidity can be adjusted manually.
Ideal for fruit and vegetables.

Consumption data

Energy efficiency class E at a range of energy efficiency classes from A to G.
Energy consumption
182 kWh/year.
Noise level 40 dB (A) re 1 pW.

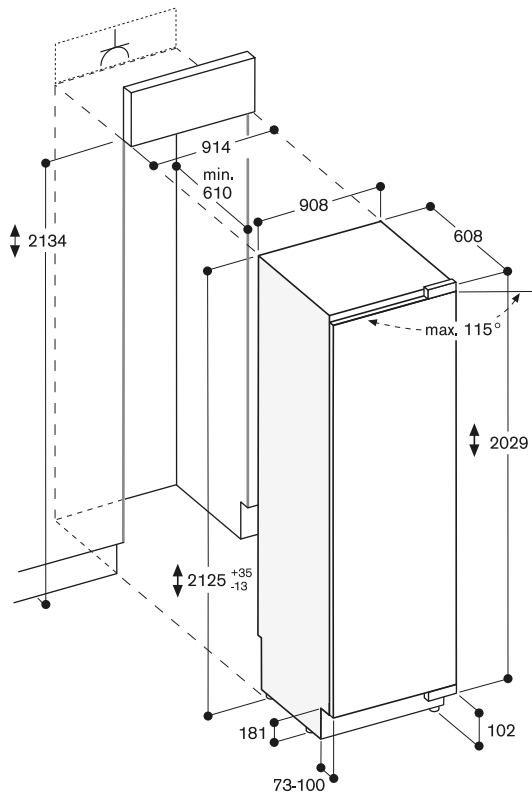
Planning notes

Flat hinge.
Door hinge right, reversible.
Door opening angle of 115°, fixable at 90°.
Max. door panel weight 43 kg.

Please read additional planning notes on page 284 – 291.

Connection

Total connected load 0.300 kW.
Connecting cable 3.0 m, pluggable.



The maximum door panel dimensions are based on a clearance of 3 mm.



RC 472 305

With fresh cooling 0 °C
Fully integrated
Niche width 76.2 cm,
Niche height 213.4 cm



Included in the price

1 egg holder with lid

Installation accessories

RA 421 710

Stainless steel door panel with handle
For 76.2 cm wide appliances, panel
thickness 19 mm.

RA 423 140

Side trims, long.

RA 425 110

Handle bar, stainless steel, long
With 3 mounts, length 1131 mm,
height 49mm, drilling distance between
each mount 554 mm.

RA 428 710

Stainless steel door panel, handleless
For 76.2 cm wide appliances, panel
thickness 19 mm.

RA 460 000

Accessory for side-by-side installation.
Not required if appliances are installed
more than 160 mm apart from each other.
Included in delivery for RF and RW.

Vario refrigerator 400 series

RC 472

- Stainless steel interior with solid anthracite aluminium elements
- Warm white and glare-free LED light spots
- Opening assist for door with two options:
 1. Push-to-open function for integration into handleless furniture front
 2. Pull-to-open function to facilitate opening the door using a handle
- The drawers in the RC and RF models are positioned at the same height. With side-by-side installation, the glass shelves and door racks can be aligned on the same level
- Flat stainless steel inner door, full-length
- Almost invisible rail system for shelves and door racks for flexible positioning
- Solid anthracite aluminium door racks
- 1 fresh cooling drawer 0 °C with temperature control from -1 °C to +3 °C and 1 fresh cooling drawer with manually adjustable humidity
- TFT touch display
- Total volume 467 litres

Handling

TFT touch display operation.
Clear text display.

Technical Features

Dynamic cold air distribution.
Automatic defrosting with defrost water evaporation.
Cushioned door closing system.
Activated charcoal air filter.
Rest mode certified by Star-K.
When rest mode is active, the appliance can only be opened using a handle.
Open-door and malfunction alarm.

Home network integration for digital services (Home Connect) wireless via WiFi.

The use of the Home Connect functionality depends on the Home Connect services, which are not available in every country. For further information please check: home-connect.com.

Please read additional information on Home Connect on page 345.

Cooling

Fast cooling.
Temperature adjustable from +2 °C to +8 °C.
3 safety glass shelves, white glass, individually adjustable in height.
1 shallow, fully extendable drawer with transparent front.
1 integrated shelf with satin-finished glass.
Cushioned closing system.
4 brilliant LED light spots with warm white, glare-free light (3500 K) within cooling area and drawers.
Flat door rail system with fully flexible positioning of door racks.
4 height adjustable door racks, 1 of which is extra deep.
Volume 398 litres.

RA 460 013

Additional side heating element 230 V. Required if appliances are installed with a distance greater than 16 mm and less than 160 mm next to each other and for all built-in situations in a very humid environment. Not required if appliances are installed more than 160 mm apart from each other.

RA 460 020

Connecting element for vertically split appliance fronts (for a flush front).

RA 464 711

Ventilation grille stainless steel
For 76.2 cm wide appliances.

Special accessories

RA 430 100

Storage container with transparent lid, anthracite.

Fresh cooling 0 °C

1 large, fully extendable fresh cooling 0 °C drawer with transparent front, illuminated.
Cushioned closing system.
Temperature control via central TFT display, temperature can be adjusted from -1 °C to +3 °C.
Ideal for meat, fish and poultry.
Volume 69 litres.

Fresh cooling

1 fully extendable fresh cooling drawer with transparent front, illuminated.
Cushioned closing system.
Humidity can be adjusted manually.
Ideal for fruit and vegetables.

Consumption data

Energy efficiency class E at a range of energy efficiency classes from A to G.
Energy consumption
166 kWh/year.
Noise level 40 dB (A) re 1 pW.

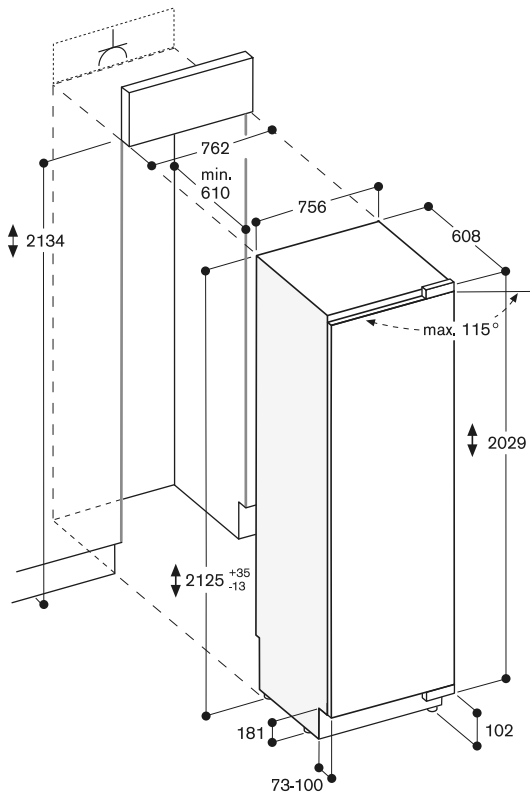
Planning notes

Flat hinge.
Door hinge right, reversible.
Door opening angle of 115°, fixable at 90°.
Max. door panel weight 29 kg.

Please read additional planning notes on page 284 – 291.

Connection

Total connected load 0.300 kW.
Connecting cable 3.0 m, pluggable.



The maximum door panel dimensions are based on a clearance of 3 mm.



RC 462 305

With fresh cooling 0 °C
Fully integrated
Niche width 61 cm,
Niche height 213.4 cm



Included in the price

1 egg holder with lid

Installation accessories

RA 421 610

Stainless steel door panel with handle
For 61 cm wide appliances, panel
thickness 19 mm.

RA 423 140

Side trims, long.

RA 425 110

Handle bar, stainless steel, long
With 3 mounts, length 1131 mm,
height 49mm, drilling distance between
each mount 554 mm.

RA 428 610

Stainless steel door panel, handleless
For 61 cm wide appliances, panel
thickness 19 mm.

RA 460 000

Accessory for side-by-side installation.
Not required if appliances are installed
more than 160 mm apart from each other.
Included in delivery for RF and RW.

Vario refrigerator 400 series

RC 462

- Stainless steel interior with solid anthracite aluminium elements
- Warm white and glare-free LED light spots
- Opening assist for door with two options:
 1. Push-to-open function for integration into handleless furniture front
 2. Pull-to-open function to facilitate opening the door using a handle
- The drawers in the RC and RF models are positioned at the same height. With side-by-side installation, the glass shelves and door racks can be aligned on the same level
- Flat stainless steel inner door, full-length
- Almost invisible rail system for shelves and door racks for flexible positioning
- Solid anthracite aluminium door racks
- 1 fresh cooling drawer 0 °C with temperature control from -1 °C to +3 °C and 1 fresh cooling drawer with manually adjustable humidity
- TFT touch display
- Total volume 357 litres

Handling

TFT touch display operation.
Clear text display.

Technical Features

Dynamic cold air distribution.
Automatic defrosting with defrost water evaporation.
Cushioned door closing system.
Activated charcoal air filter.
Rest mode certified by Star-K.
When rest mode is active, the appliance can only be opened using a handle.
Open-door and malfunction alarm.

Home network integration for digital services (Home Connect) wireless via WiFi.

The use of the Home Connect functionality depends on the Home Connect services, which are not available in every country. For further information please check: home-connect.com.

Please read additional information on Home Connect on page 345.

Cooling

Fast cooling.
Temperature adjustable from +2 °C to +8 °C.
3 safety glass shelves, white glass, individually adjustable in height.
1 shallow, fully extendable drawer with transparent front.
1 integrated shelf with satin-finished glass.
Cushioned closing system.
4 brilliant LED light spots with warm white, glare-free light (3500 K) within cooling area and drawers.
Flat door rail system with fully flexible positioning of door racks.
4 height adjustable door racks, 1 of which is extra deep.
Volume 305 litres.

RA 460 013

Additional side heating element 230 V. Required if appliances are installed with a distance greater than 16 mm and less than 160 mm next to each other and for all built-in situations in a very humid environment. Not required if appliances are installed more than 160 mm apart from each other.

RA 460 020

Connecting element for vertically split appliance fronts (for a flush front).

RA 464 611

Ventilation grille stainless steel
For 61 cm wide appliances.

Special accessories

RA 430 100

Storage container with transparent lid, anthracite.

Fresh cooling 0 °C

1 large, fully extendable fresh cooling 0 °C drawer with transparent front, illuminated.
Cushioned closing system.
Temperature control via central TFT display, temperature can be adjusted from -1 °C to +3 °C.
Ideal for meat, fish and poultry.
Volume 52 litres.

Fresh cooling

1 fully extendable fresh cooling drawer with transparent front, illuminated.
Cushioned closing system.
Humidity can be adjusted manually.
Ideal for fruit and vegetables.

Consumption data

Energy efficiency class E at a range of energy efficiency classes from A to G.
Energy consumption
150 kWh/year.
Noise level 40 dB (A) re 1 pW.

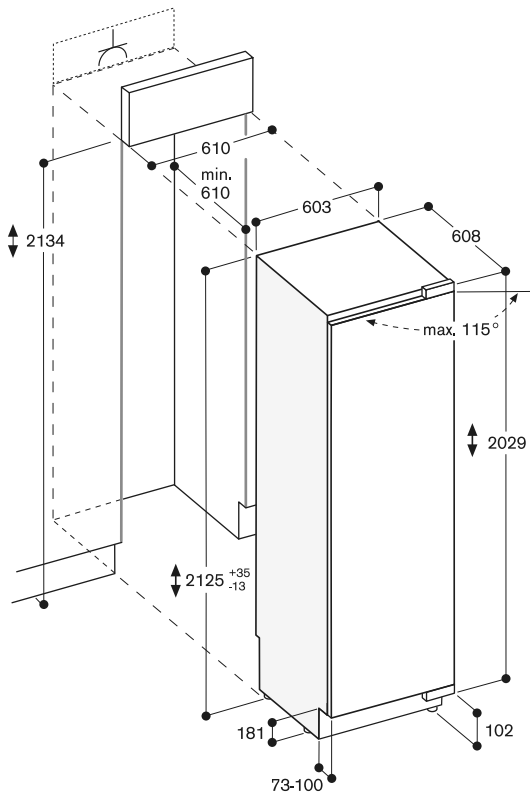
Planning notes

Flat hinge.
Door hinge right, reversible.
Door opening angle of 115°, fixable at 90°.
Max. door panel weight 41 kg.

Please read additional planning notes on page 284 – 291.

Connection

Total connected load 0,300 kW.
Connecting cable 3.0 m, pluggable.



The maximum door panel dimensions are based on a clearance of 3 mm.



RF 463 306

Fully integrated, with ice and water dispenser

Niche width 61 cm,
Niche height 213.4 cm
Right-hinged

RF 463 307

Fully integrated, with ice and water dispenser

Niche width 61 cm,
Niche height 213.4 cm
Left-hinged



Included in the price

- Accessory for side-by-side installation

Installation accessories

RA 422 610

Stainless steel door panel with handle
For RF 463, panel thickness 19 mm.

RA 423 140

Side trims, long.

RA 425 110

Handle bar, stainless steel, long
With 3 mounts, length 1131 mm,
height 49 mm, drilling distance
between each mount 554 mm.

RA 428 810

Stainless steel door panel, handleless
For RF 463, panel thickness 19 mm.

RA 460 013

Additional side heating element 230 V.
Required if appliances are installed
with a distance greater than 16 mm and
less than 160 mm next to each other
and for all built-in situations in a very
humid environment. Not required if
appliances are installed more than
160 mm apart from each other.

RA 460 020

Connecting element for vertically split
appliance fronts (for a flush front).

RA 464 617

Ventilation grille stainless steel
For RF 463 **4 from FD 9007 and
RF 463 **6.

RA 464 618

Ventilation grille stainless steel
For RF 463 **5 from FD 9007 and
RF 463 **7

Special accessories

RA 450 012

Activated charcoal filter for water filter
system
For RB, RY, RF.
For RF 4*1 **4 and RF 463 **4/5 from
FD 9007.

Vario freezer 400 series

RF 463

- Stainless steel interior with solid anthracite aluminium elements
- Warm white and glare-free LED light spots
- Opening assist for door with two options:
 1. Push-to-open function for integration into handleless furniture front
 2. Pull-to-open function to facilitate opening the door using a handle
- The drawers in the RC and RF models are positioned at the same height. With side-by-side installation, the glass shelves and door racks can be aligned on the same level
- Material and aesthetics of interior as for RC model
 - Glass shelves
- Flat stainless steel inner door, full-length
- Almost invisible rail system for shelves for flexible positioning
- Illuminated dispenser for ice cubes, crushed ice and chilled water in the door.
- Integrated ice maker with fixed inlet water connection
- Proximity sensor for ice and water dispenser
- TFT touch display
- Total volume 304 litres

Handling

TFT touch display operation.
Clear text display.
Touch key operation for ice and water dispenser.

Technical Features

Dynamic cold air distribution.
Automatic defrosting with defrost water evaporation.
Cushioned door closing system.
Rest mode certified by Star-K.
When rest mode is active, the appliance can only be opened using a handle.
Open-door and malfunction alarm.

Home network integration for digital services (Home Connect) wireless via WiFi.

The use of the Home Connect functionality depends on the Home Connect services, which are not available in every country. For further information please check:
home-connect.com.

Please read additional information on Home Connect on page 345.

Freezing

No-Frost technology with fast freezing at -30 °C.
Temperature adjustable from -14 °C to -24 °C.
4-star freezer compartment.
Freezing capacity 18 kg/24 h.
Storage time after a malfunction 8 h.
3 safety glass shelves, white glass, 2 of which are individually height adjustable.
1 integrated shelf with satin-finished glass.
2 fully extendable drawers with transparent front.
Brilliant LED light spots with warm white, glare-free light (3500 K).

Ice and water dispenser

Warm white LED lighting.
Proximity sensor for automatic activation of light and touch keys for ice and water dispenser.
Integrated, with fixed inlet water connection.
Particle filter for water inlet, integrated in ventilation grille area.
Saturation indicator shown in TFT touch display.
Can be switched off.
Ice cube production approx. 1.4 kg/24 h.
Ice cubes and crushed ice.
Removable ice storage container with approx. 3.2 kg capacity.
Ice water supply approx. 1.5 litres.

Consumption data

Energy efficiency class F at a range of energy efficiency classes from A to G.
Energy consumption 337 kWh/year.
Noise level 42 dB (A) re 1 pW.

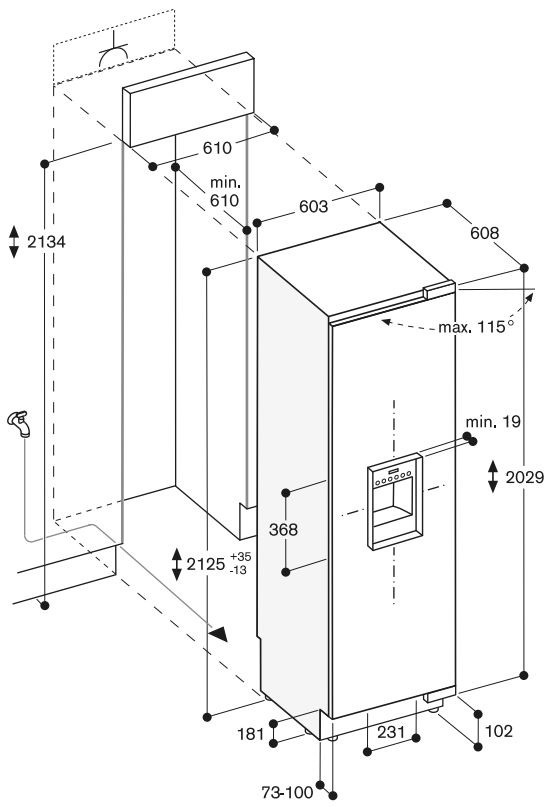
Planning notes

Flat hinge.
Door opening angle of 115°, fixable at 90°.
For an installation with a door opening angle of 90°, the drawers have a restricted access.
Max. door panel weight 67 kg.
Shut-off valve for water connection must be planned next to the appliance and always be accessible.
If the water pressure exceeds 0.8 MPa (8 bar), connect pressure relief valve between water tap and house set.

Please read additional planning notes on page 284 – 291.

Connection

Total connected load 0.300 kW.
Connecting cable 3.0 m, pluggable.
Water inlet.
Supply hose 2.0 m with 3/4" connection.
Water pressure 2 to 8 bar.



The maximum door panel dimensions are based on a clearance of 3 mm.



RF 471 305

Fully integrated, with ice maker
Niche width 76.2 cm,
Niche height 213.4 cm



Included in the price

- 1 ice cube scoop
- 1 Accessory for side-by-side installation
- 1 Ice storage container, small
- 1 Ice storage container, large

Installation accessories

RA 421 710

Stainless steel door panel with handle
For 76.2 cm wide appliances, panel
thickness 19 mm.

RA 423 140

Side trims, long.

RA 425 110

Handle bar, stainless steel, long
With 3 mounts, length 1131 mm,
height 49mm, drilling distance between
each mount 554 mm.

RA 428 710

Stainless steel door panel, handleless
For 76.2 cm wide appliances, panel
thickness 19 mm.

Vario freezer 400 series

RF 471

- Stainless steel interior with solid anthracite aluminium elements
- Warm white and glare-free LED light spots
- Opening assist for door with two options:
 1. Push-to-open function for integration into handleless furniture front
 2. Pull-to-open function to facilitate opening the door using a handle
- The drawers in the RC and RF models are positioned at the same height. With side-by-side installation, the glass shelves and door racks can be aligned on the same level
- Material and aesthetics of interior as for RC model
 - Glass shelves
 - Solid anthracite aluminium door racks
- Flat stainless steel inner door, full-length
- Almost invisible rail system for shelves and door racks for flexible positioning
- Integrated ice maker with fixed inlet water connection
- TFT touch display
- Total volume 445 litres

Handling

TFT touch display operation.
Clear text display.

Technical Features

Dynamic cold air distribution.
Automatic defrosting with defrost water evaporation.
Cushioned door closing system.
Rest mode certified by Star-K.
When rest mode is active, the appliance can only be opened using a handle.
Open-door and malfunction alarm.

Home network integration for digital services (Home Connect) wireless via WiFi.

The use of the Home Connect functionality depends on the Home Connect services, which are not available in every country. For further information please check: home-connect.com.

Please read additional information on Home Connect on page 345.

Freezing

No-Frost technology with fast freezing at -30 °C.
Temperature adjustable from -14 °C to -24 °C.
4-star freezer compartment.
Freezing capacity 23 kg/24 h.
Storage time after a malfunction 10 h.
4 safety glass shelves, white glass, 3 of which are individually height adjustable.
2 fully extendable drawers with transparent front.
Brilliant LED light spots with warm white, glare-free light (3500 K).
Flat door rail system with fully flexible positioning of door racks.
4 height-adjustable door racks.

RA 460 013

Additional side heating element 230 V.
Required if appliances are installed with a distance greater than 16 mm and less than 160 mm next to each other and for all built-in situations in a very humid environment. Not required if appliances are installed more than 160 mm apart from each other.

RA 460 020

Connecting element for vertically split appliance fronts (for a flush front).

RA 464 113

Ventilation grille stainless steel
For RF 411 **4 from FD 9007 and RF 411 **5.

RA 464 616

Ventilation grille stainless steel
For RF 461 **4 from FD 9007 and RF 461 **5.

RA 464 714

Ventilation grille stainless steel
For RF 471 **4 from FD 9007 and RF 471 **5.

Special accessories

RA 450 012

Activated charcoal filter for water filter system
For RB, RY, RF.
For RF 4*1 **4 and RF 463 **4/5 from FD 9007.

Ice maker

Integrated in the freezer compartment, with fixed inlet water connection.
Particle filter for water inlet, integrated in ventilation grille area.
Saturation indicator shown in TFT touch display.
Can be switched off.
Ice cube production approx. 1.7 kg/24 h.
Removable ice storage container with approx. 4 kg capacity.

Consumption data

Energy efficiency class F at a range of energy efficiency classes from A to G.
Energy consumption 401 kWh/year.
Noise level 42 dB (A) re 1 pW.

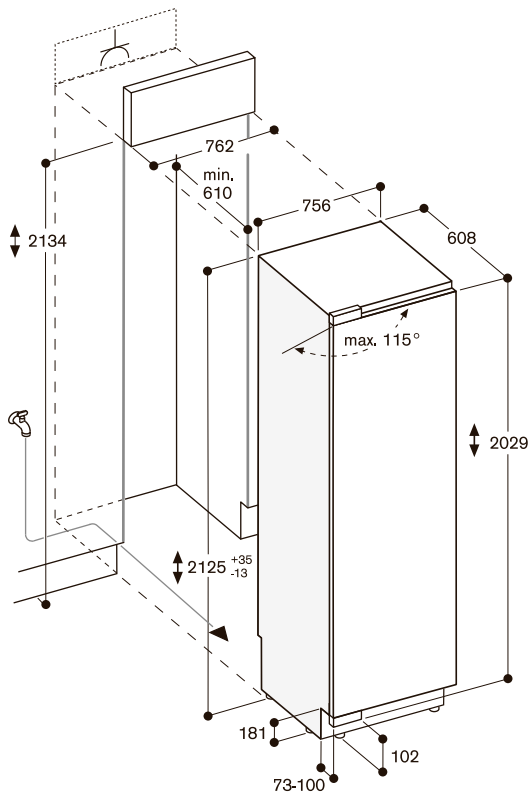
Planning notes

Flat hinge.
Door hinge left, reversible.
Door opening angle of 115°, fixable at 90°.
For an installation with a door opening angle of 90°, the drawers have a restricted access.
In case of door opening angle of 90° the standard ice storage container cannot be removed.
A small ice storage container (RA 448 220) is available to ensure access. This change must be done prior to fixing the door.
Max. door panel weight 25 kg.
Shut-off valve for water connection must be planned next to the appliance and always be accessible.
If the water pressure exceeds 0.8 MPa (8 bar), connect pressure relief valve between water tap and hose set.

Please read additional planning notes on page 284 – 291.

Connection

Total connected load 0.300 kW.
Connecting cable 3.0 m, pluggable.
Water inlet.
Supply hose 2.0 m with 3/4 " connection.
Water pressure 2 to 8 bar.



The maximum door panel dimensions are based on a clearance of 3 mm.



RF 461 305

Fully integrated, with ice maker
Niche width 61 cm,
Niche height 213.4 cm



Included in the price

- 1 ice cube scoop
- 1 Accessory for side-by-side installation
- 1 Ice storage container, small
- 1 Ice storage container, large

Installation accessories

RA 421 610

Stainless steel door panel with handle
For 61 cm wide appliances, panel thickness 19 mm.

RA 423 140

Side trims, long.

RA 425 110

Handle bar, stainless steel, long
With 3 mounts, length 1131 mm,
height 49mm, drilling distance between
each mount 554 mm.

RA 428 610

Stainless steel door panel, handleless
For 61 cm wide appliances, panel
thickness 19 mm.

Vario freezer 400 series

RF 461

- Stainless steel interior with solid anthracite aluminium elements
- Warm white and glare-free LED light spots
- Opening assist for door with two options:
 1. Push-to-open function for integration into handleless furniture front
 2. Pull-to-open function to facilitate opening the door using a handle
- The drawers in the RC and RF models are positioned at the same height. With side-by-side installation, the glass shelves and door racks can be aligned on the same level
- Material and aesthetics of interior as for RC model
 - Glass shelves
 - Solid anthracite aluminium door racks
- Flat stainless steel inner door, full-length
- Almost invisible rail system for shelves and door racks for flexible positioning
- Integrated ice maker with fixed inlet water connection
- TFT touch display
- Total volume 344 litres

Handling

TFT touch display operation.
Clear text display.

Technical Features

Dynamic cold air distribution.
Automatic defrosting with defrost water evaporation.
Cushioned door closing system.
Rest mode certified by Star-K.
When rest mode is active, the appliance can only be opened using a handle.
Open-door and malfunction alarm.

Home network integration for digital services (Home Connect) wireless via WiFi.

The use of the Home Connect functionality depends on the Home Connect services, which are not available in every country. For further information please check: home-connect.com.

Please read additional information on Home Connect on page 345.

Freezing

No-Frost technology with fast freezing at -30 °C.
Temperature adjustable from -14 °C to -24 °C.
4-star freezer compartment.
Freezing capacity 19 kg/24 h.
Storage time after a malfunction 7 h.
4 safety glass shelves, white glass, 3 of which are individually height adjustable.
2 fully extendable drawers with transparent front.
Brilliant LED light spots with warm white, glare-free light (3500 K).
Flat door rail system with fully flexible positioning of door racks.
4 height-adjustable door racks.

RA 460 013

Additional side heating element 230 V.
Required if appliances are installed with a distance greater than 16 mm and less than 160 mm next to each other and for all built-in situations in a very humid environment. Not required if appliances are installed more than 160 mm apart from each other.

RA 460 020

Connecting element for vertically split appliance fronts (for a flush front).

RA 464 616

Ventilation grille stainless steel
For RF 461 **4 from FD 9007 and RF 461 **5.

Special accessories

RA 450 012

Activated charcoal filter for water filter system

For RB, RY, RF.

For RF 4*1 **4 and RF 463 **4/5 from FD 9007.

Ice maker

Integrated in the freezer compartment, with fixed inlet water connection.
Particle filter for water inlet, integrated in ventilation grille area.
Saturation indicator shown in TFT touch display.
Can be switched off.
Ice cube production approx. 1.5 kg/24 h.
Removable ice storage container with approx. 4 kg capacity.

Consumption data

Energy efficiency class F at a range of energy efficiency classes from A to G.
Energy consumption 355 kWh/year.
Noise level 42 dB (A) re 1 pW.

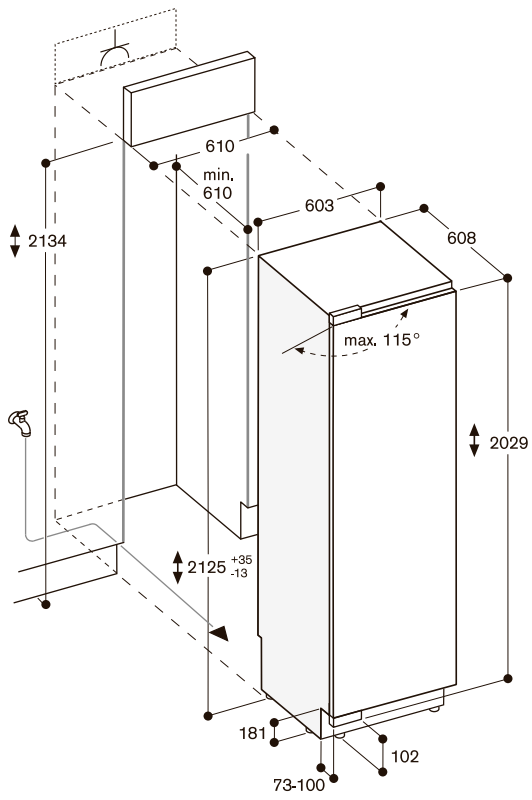
Planning notes

Door hinge.
Door hinge left, reversible.
Door opening angle of 115°, fixable at 90°.
In case of door opening angle of 90° the drawers have restricted access and the standard ice storage container cannot be removed.
A small ice storage container (RA 448 220) is available to ensure access. This change must be done prior to fixing the door.
Max. door panel weight 41 kg.
Shut-off valve for water connection must be planned next to the appliance and always be accessible.
If the water pressure exceeds 0.8 MPa (8 bar), connect pressure relief valve between water tap and hose set.

Please read additional planning notes on page 284 – 291.

Connection

Total connected load 0.300 kW.
Connecting cable 3.0 m, pluggable.
Water inlet.
Supply hose 2.0 m with 3/4 " connection.
Water pressure 2 to 8 bar.



The maximum door panel dimensions are based on a clearance of 3 mm.



RF 411 305

Fully integrated, with ice maker
Niche width 45.7 cm,
Niche height 213.4 cm



Included in the price

- 1 ice cube scoop
- 1 Accessory for side-by-side installation
- 1 Ice storage container, small
- 1 Ice storage container, large

Installation accessories

RA 421 110

Stainless steel door panel with handle
For 45.7 cm wide appliances, panel
thickness 19 mm.

RA 423 140

Side trims, long.

RA 425 110

Handle bar, stainless steel, long
With 3 mounts, length 1131 mm,
height 49mm, drilling distance between
each mount 554 mm.

RA 428 110

Stainless steel door panel, handleless
For 45.7 cm wide appliances, panel
thickness 19 mm.

Vario freezer 400 series

RF 411

- Stainless steel interior with solid anthracite aluminium elements
- Warm white and glare-free LED light spots
- Opening assist for door with two options:
 1. Push-to-open function for integration into handleless furniture front
 2. Pull-to-open function to facilitate opening the door using a handle
- The drawers in the RC and RF models are positioned at the same height. With side-by-side installation, the glass shelves and door racks can be aligned on the same level
- Material and aesthetics of interior as for RC model
 - Glass shelves
 - Solid anthracite aluminium door racks
- Flat stainless steel inner door, full-length
- Almost invisible rail system for shelves and door racks for flexible positioning
- Integrated ice maker with fixed inlet water connection
- TFT touch display
- Total volume 240 litres

Handling

TFT touch display operation.
Clear text display.

Technical Features

Dynamic cold air distribution.
Automatic defrosting with defrost water evaporation.
Cushioned door closing system.
Rest mode certified by Star-K.
When rest mode is active, the appliance can only be opened using a handle.
Open-door and malfunction alarm.

Home network integration for digital services (Home Connect) wireless via WiFi.

The use of the Home Connect functionality depends on the Home Connect services, which are not available in every country. For further information please check: home-connect.com.

Please read additional information on Home Connect on page 345.

Freezing

No-Frost technology with fast freezing at -30 °C.
Temperature adjustable from -14 °C to -24 °C.
4-star freezer compartment.
Freezing capacity 16 kg/24 h.
Storage time after a malfunction 6 h.
4 safety glass shelves, white glass, 3 of which are individually height adjustable.
2 fully extendable drawers with transparent front.
Brilliant LED light spots with warm white, glare-free light (3500 K).
Flat door rail system with fully flexible positioning of door racks.
4 height-adjustable door racks.

RA 460 013

Additional side heating element 230 V.
Required if appliances are installed with a distance greater than 16 mm and less than 160 mm next to each other and for all built-in situations in a very humid environment. Not required if appliances are installed more than 160 mm apart from each other.

RA 460 020

Connecting element for vertically split appliance fronts (for a flush front).

RA 464 113

Ventilation grille stainless steel
For RF 411 **4 from FD 9007 and RF 411 **5.

Special accessories

RA 450 012

Activated charcoal filter for water filter system
For RB, RY, RF.
For RF 4*1 **4 and RF 463 **4/5 from FD 9007.

Ice maker

Integrated in the freezer compartment, with fixed inlet water connection.
Particle filter for water inlet, integrated in ventilation grille area.
Saturation indicator shown in TFT touch display.
Can be switched off.
Ice cube production approx. 1.4 kg/24 h.
Removable ice storage container with approx. 4 kg capacity.

Consumption data

Energy efficiency class F at a range of energy efficiency classes from A to G.
Energy consumption 308 kWh/year.
Noise level 42 dB (A) re 1 pW.

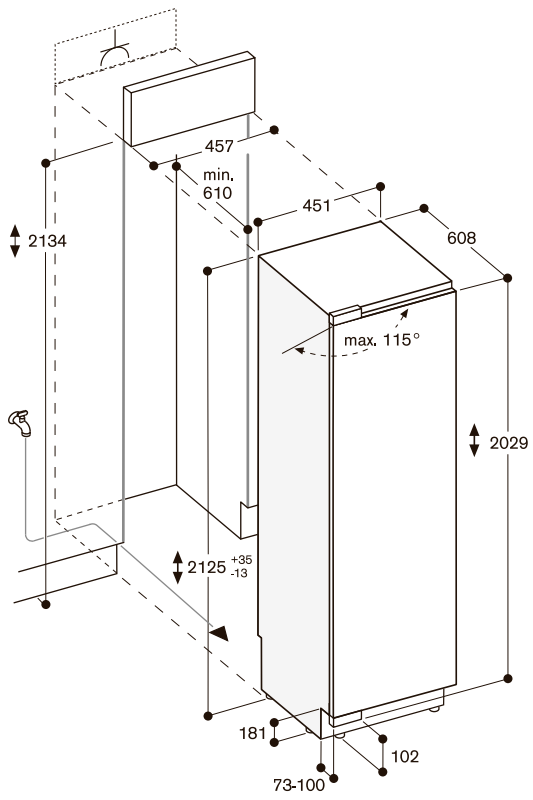
Planning notes

Door hinge.
Door hinge left, reversible.
Door opening angle of 115°, fixable at 90°.
In case of door opening angle of 90° the drawers have restricted access and the standard ice storage container cannot be removed.
A small ice storage container (RA 448 220) is available to ensure access. This change must be done prior to fixing the door.
Max. door panel weight 59 kg.
Shut-off valve for water connection must be planned next to the appliance and always be accessible.
If the water pressure exceeds 0.8 MPa (8 bar), connect pressure relief valve between water tap and hose set.

Please read additional planning notes on page 284 – 291.

Connection

Total connected load 0.300 kW.
Connecting cable 3.0 m, pluggable.
Water inlet.
Supply hose 2.0 m with 3/4 " connection.
Water pressure 2 to 8 bar.



The maximum door panel dimensions are based on a clearance of 3 mm.



RF 410 304

Fully integrated
Niche width 45.7 cm,
Niche height 213.4 cm



Included in the price

1 Accessory for side-by-side
installation

Installation accessories

RA 421 110

Stainless steel door panel with handle
For 45.7 cm wide appliances, panel
thickness 19 mm.

RA 423 140

Side trims, long.

RA 425 110

Handle bar, stainless steel, long
With 3 mounts, length 1131 mm,
height 49mm, drilling distance between
each mount 554 mm.

RA 428 110

Stainless steel door panel, handleless
For 45.7 cm wide appliances, panel
thickness 19 mm.

RA 460 013

Additional side heating element 230 V.
Required if appliances are installed
with a distance greater than 16 mm and
less than 160 mm next to each other
and for all built-in situations in a very
humid environment. Not required if
appliances are installed more than
160 mm apart from each other.

RA 460 020

Connecting element for vertically split
appliance fronts (for a flush front).

RA 464 111

Ventilation grille stainless steel
For 45.7 cm wide appliances.

Vario freezer 400 series

RF 410

- Stainless steel interior with solid anthracite aluminium elements
- Warm white and glare-free LED light spots
- Opening assist for door with two options:
 1. Push-to-open function for integration into handleless furniture front
 2. Pull-to-open function to facilitate opening the door using a handle
- The drawers in the RC and RF models are positioned at the same height. With side-by-side installation, the glass shelves and door racks can be aligned on the same level
- Material and aesthetics of interior as for RC model
 - Glass shelves
 - Solid anthracite aluminium door racks
- Flat stainless steel inner door, full-length
- Almost invisible rail system for shelves and door racks for flexible positioning
- TFT touch display
- Total volume 240 litres

Handling

TFT touch display operation.
Clear text display.

Technical Features

Dynamic cold air distribution.
Automatic defrosting with defrost water evaporation.
Cushioned door closing system.
Rest mode certified by Star-K.
When rest mode is active, the appliance can only be opened using a handle.
Open-door and malfunction alarm.

Home network integration for digital services (Home Connect) wireless via WiFi.

The use of the Home Connect functionality depends on the Home Connect services, which are not available in every country. For further information please check: home-connect.com.

Please read additional information on Home Connect on page 345.

Freezing

No-Frost technology with fast freezing at -30 °C.
Temperature adjustable from -14 °C to -24 °C.
4-star freezer compartment.
Freezing capacity 16 kg/24 h.
Storage time after a malfunction 6 h.
4 safety glass shelves, white glass, 4 of which are individually height adjustable.
2 fully extendable drawers with transparent front.
Brilliant LED light spots with warm white, glare-free light (3500 K).
Flat door rail system with fully flexible positioning of door racks.
4 height-adjustable door racks.

Consumption data

Energy efficiency class E at a range of energy efficiency classes from A to G.
Energy consumption 246 kWh/year.
Noise level 42 dB (A) re 1 pW.

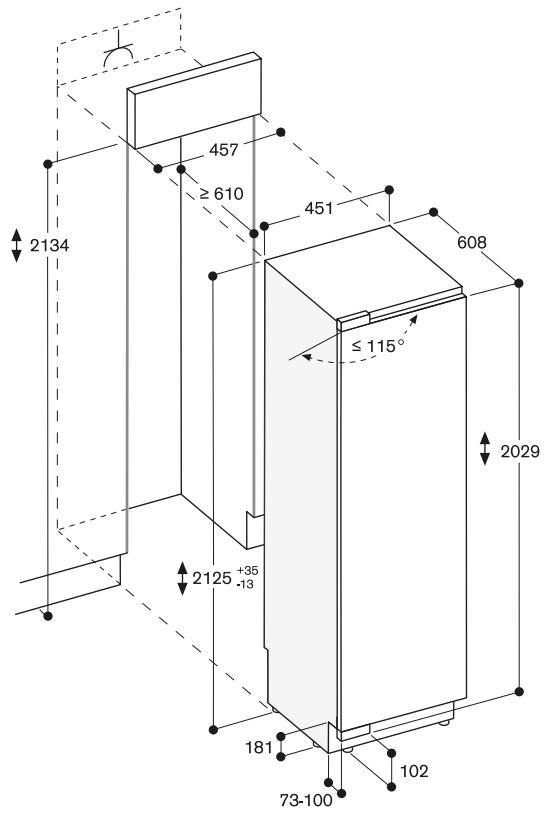
Planning notes

Flat hinge.
Door hinge left, reversible.
Door opening angle of 115°, fixable at 90°.
For an installation with a door opening angle of 90°, the drawers have a restricted access.
Max. door panel weight 59 kg.

Please read additional planning notes on page 284 – 291.

Connection

Total connected load 0.300 kW.
Connecting cable 3.0 m, pluggable.



The maximum door panel dimensions are based on a clearance of 3 mm.
measurements in mm



RW 466 365

Fully integrated, **with glass door**
Niche width 61 cm,
Niche height 213.4 cm



RW 466 305

Fully integrated, with solid door
Niche width 61 cm,
Niche height 213.4 cm



Included in the price

1 Accessory for side-by-side installation

Installation accessories

RA 420 010

Door lock for RW 414,
RW 464 and RW 466.

RA 421 610

Stainless steel door panel with handle
For 61 cm wide appliances, panel thickness 19 mm.

RA 421 611

Stainless steel door panel frame with handle
For 61 cm wide appliances, left-hinged, panel thickness 19 mm.

RA 421 612

Stainless steel door panel frame with handle
For 61 cm wide appliances, right-hinged, panel thickness 19 mm.

RA 423 140

Side trims, long.

RA 425 110

Handle bar, stainless steel, long
With 3 mounts, length 1131 mm,
height 49 mm, drilling distance
between each mount 554 mm.

RA 428 610

Stainless steel door panel, handleless
For 61 cm wide appliances, panel thickness 19 mm.

RA 428 611

Stainless steel door panel frame, handleless
For 61 cm wide appliances, panel thickness 19 mm.

Vario wine climate cabinet 400 series

RW 466

- 3 independently controllable climate zones
- Consistent temperatures with exact control from +5 °C to +20 °C
- Humidity control
- Stainless steel interior
- Fully extendable bottle trays in oak wood and solid aluminium in anthracite
- Bottle trays with hidden telescopic rails
- Warm white and glare-free LED light spots
- 5 preset lighting scenarios, selectable via TFT display
- Opening assist for door with two options:
 1. Push-to-open function for integration into handleless furniture front
 2. Pull-to-open function to facilitate opening the door using a handle
- Low-vibration operation
- TFT touch display
- Number of standard wine bottles: 99

Handling

TFT touch display operation.
Clear text display.
Lockable door (with door lock RA 420 010).

Technical Features

Dynamic cold air distribution.
Automatic defrosting with defrost water evaporation.
Cushioned door closing system.
Activated charcoal air filter.
UV-protection.
Rest mode certified by Star-K.
When rest mode is active, the appliance can only be opened using a handle.
Open-door and malfunction alarm.

Home network integration for digital services (Home Connect) wireless via WiFi.

Light scenarios and temperature setting via Home Connect.
The use of the Home Connect functionality depends on the Home Connect services, which are not available in every country. For further information please check: home-connect.com.

Please read additional information on Home Connect on page 345.

Features

Capacity 99 bottles
(based on 0.75 l standard bottles).
12 bottle trays,
- 9 fully extendable trays
- 3 suitable for storage of Magnum bottles.
Flexible interior configuration possible by adding or removing fully extendable bottle trays.
Storage of up to 12 Magnum bottles with standard tray configuration (12 bottle trays).
Space for max. 12 bottle trays.
2 brilliant LED light spots with warm white, glare-free light (3500 K) in each climate zone.
5 different lighting scenarios can be selected for individual wine presentation.
Total volume 370 litres.

RA 460 013

Additional side heating element 230 V.
Required if appliances are installed with a distance greater than 16 mm and less than 160 mm next to each other and for all built-in situations in a very humid environment. Not required if appliances are installed more than 160 mm apart from each other.

RA 460 020

Connecting element for vertically split appliance fronts (for a flush front).

RA 464 611

Ventilation grille stainless steel
For 61 cm wide appliances.

Special accessories

RA 430 000

Screw hole cover set. 8 pieces.

RA 491 661

Fully extendable bottle trays with hidden telescopic rails in oak wood and solid aluminium in anthracite
For 61 cm wide appliances.

RA 492 660

Removable shelf with oak wood frame
Suitable for decanters and open bottles.
For 61 cm wide appliances.

RA 493 060

Presenter in oak wood and aluminium in anthracite for single bottle display
1 piece.

RA 498 640

Bottle support in oak wood for convenient storage of bottles on the division plate.
For 61 cm wide appliances.

Consumption data

Energy efficiency class G/F at a range of energy efficiency classes from A to G.
Energy consumption 155/129 kWh/year.
Noise level 42 dB (A) re 1 pW.

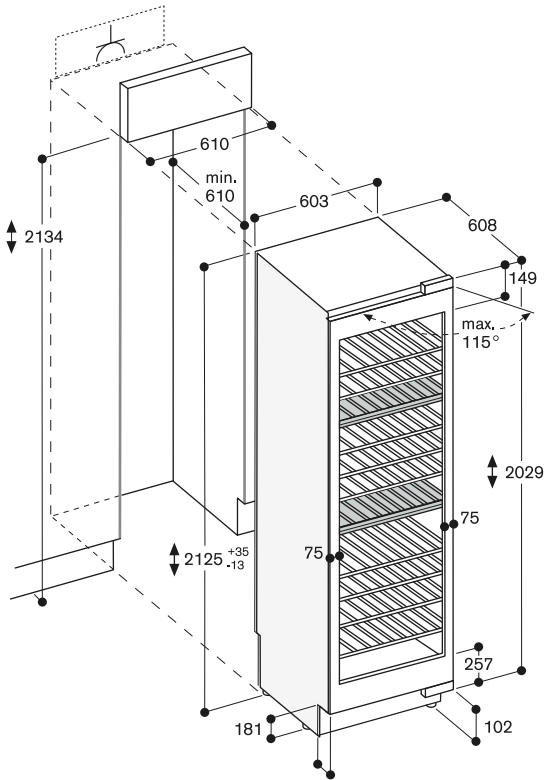
Planning notes

Flat hinge.
Door hinge right, reversible.
Door opening angle of 115°, fixable at 90°.
Max. door panel weight 73 kg.
The mains socket needs to be planned outside the built-in niche.
No transport/operation above 2000 m sea level.

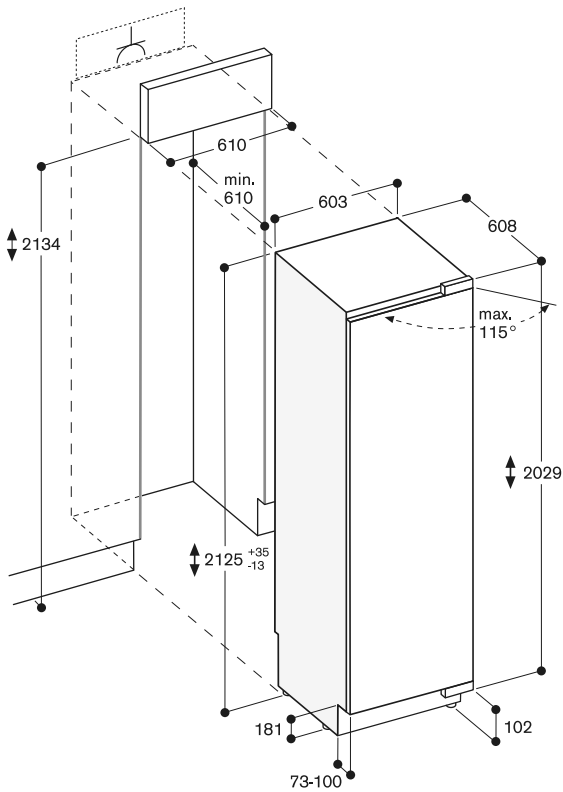
Please read additional planning notes on page 284 – 291.

Connection

Total connected load 0.300 kW.
Connecting cable 3.0 m, pluggable.

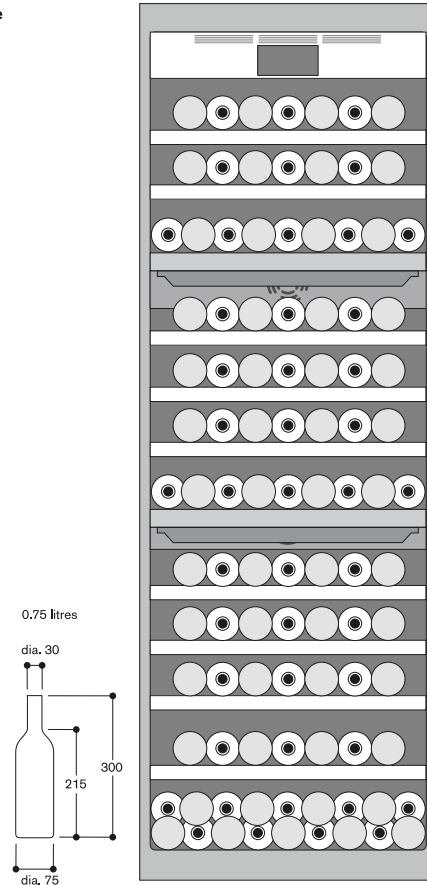


The maximum door panel dimensions are based on a clearance of 3 mm.



The maximum door panel dimensions are based on a clearance of 3 mm.

Bottle storage



Alternative storage with MAGNUM bottles





RW 414 365

Fully integrated, with glass door
Niche width 45.7 cm,
Niche height 213.4 cm



RW 414 305

Fully integrated, with solid door
Niche width 45.7 cm,
Niche height 213.4 cm



Included in the price

1 Accessory for side-by-side installation

Installation accessories

RA 420 010

Door lock for RW 414,
RW 464 and RW 466.

RA 421 110

Stainless steel door panel with handle
For 45.7 cm wide appliances, panel
thickness 19 mm.

RA 421 111

Stainless steel door panel frame with
handle
For 45.7 cm wide appliances,
left-hinged, panel thickness 19 mm.

RA 421 112

Stainless steel door panel frame with
handle
For 45.7 cm wide appliances,
right-hinged, panel thickness 19 mm.

RA 423 140

Side trims, long.

RA 425 110

Handle bar, stainless steel, long
With 3 mounts, length 1131 mm,
height 49 mm, drilling distance
between each mount 554 mm.

RA 428 110

Stainless steel door panel, handleless
For 45.7 cm wide appliances, panel
thickness 19 mm.

RA 428 111

Stainless steel door panel frame,
handleless
For 45.7 cm wide appliances, panel
thickness 19 mm.

Vario wine climate cabinet 400 series RW 414

- 2 independently controllable climate zones
- Consistent temperatures with exact control from +5 °C to +20 °C
- Humidity control
- Stainless steel interior
- Fully extendable bottle trays in oak wood and solid aluminium in anthracite
- Bottle trays with hidden telescopic rails
- Warm white and glare-free LED light spots
- 5 preset lighting scenarios, selectable via TFT display
- Opening assist for door with two options:
 1. Push-to-open function for integration into handleless furniture front
 2. Pull-to-open function to facilitate opening the door using a handle
- Low-vibration operation
- TFT touch display
- Number of standard wine bottles: 70

Handling

TFT touch display operation.
Clear text display.
Lockable door (with door lock
RA 420 010).

Technical Features

Dynamic cold air distribution.
Automatic defrosting with defrost water evaporation.
Cushioned door closing system.
Activated charcoal air filter.
UV-protection.
Rest mode certified by Star-K.
When rest mode is active, the appliance can only be opened using a handle.
Open-door and malfunction alarm.

Home network integration for digital services (Home Connect) wireless via WiFi.

Light scenarios and temperature setting via Home Connect.
The use of the Home Connect functionality depends on the Home Connect services, which are not available in every country. For further information please check: home-connect.com.

Please read additional information on Home Connect on page 345.

Features

Capacity 70 bottles (based on 0.75 l standard bottles).
12 bottle trays,
- 10 fully extendable trays
- 3 suitable for storage of Magnum bottles.
Flexible interior configuration possible by adding or removing fully extendable bottle trays.
Storage of up to 6 Magnum bottles with standard tray configuration (12 bottle trays).
Space for max. 13 bottle trays.
2 brilliant LED light spots with warm white, glare-free light (3500 K) in each climate zone.
5 different lighting scenarios can be selected for individual wine presentation.
Total volume 272 litres.

RA 460 013

Additional side heating element 230 V. Required if appliances are installed with a distance greater than 16 mm and less than 160 mm next to each other and for all built-in situations in a very humid environment. Not required if appliances are installed more than 160 mm apart from each other.

RA 460 020

Connecting element for vertically split appliance fronts (for a flush front).

RA 464 111

Ventilation grille stainless steel
For 45.7 cm wide appliances.

Special accessories

RA 430 000

Screw hole cover set. 8 pieces.

RA 491 161

Fully extendable bottle trays with hidden telescopic rails in oak wood and solid aluminium in anthracite
For 45.7 cm wide appliances.

RA 492 160

Removable shelf with oak wood frame
Suitable for decanters and open bottles.
For 45.7 cm wide appliances.

RA 493 060

Presenter in oak wood and aluminium in anthracite for single bottle display
1 piece.

RA 498 140

Bottle support in oak wood for convenient storage of bottles on the division plate.
For 45.7 cm wide appliances.

Consumption data

Energy efficiency class G/F at a range of energy efficiency classes from A to G.
Energy consumption 145/120 kWh/year.
Noise level 42 dB (A) re 1 pW.

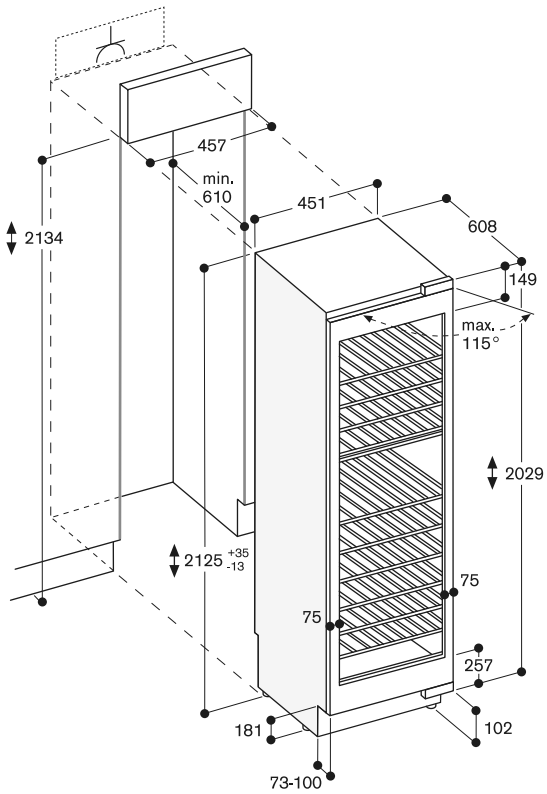
Planning notes

Flat hinge.
Door hinge right, reversible.
Door opening angle of 115°, fixable at 90°.
Max. door panel weight 76 kg.
The mains socket needs to be planned outside the built-in niche.
No transport/operation above 2000 m sea level.

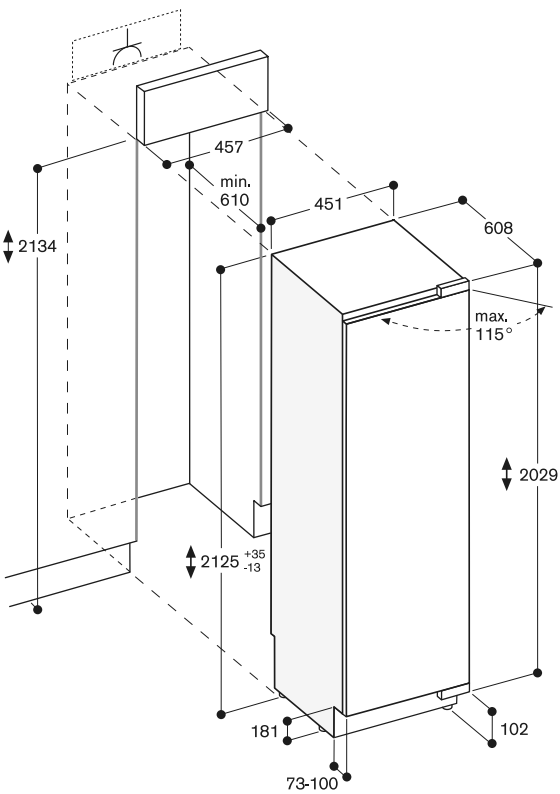
Please read additional planning notes on page 284 – 291.

Connection

Total connected load 0.300 kW.
Connecting cable 3.0 m, pluggable.

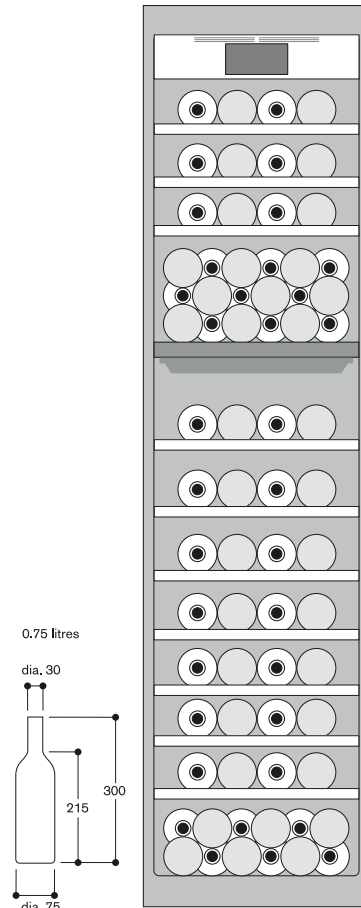


The maximum door panel dimensions are based on a clearance of 3 mm.



The maximum door panel dimensions are based on a clearance of 3 mm.

Bottle storage



Alternative storage with MAGNUM bottles



Additional planning notes for Vario cooling 400 series

The side walls of the adjacent cabinetry have to be dimensionally stable, as the Vario cooling appliances are secured in the niche with only an anti-tilt bracket on the top back and on the bottom at the side.

Vario cooling appliances can be installed handle to handle as a side-by-side combination. In this case the side-by-side installation kit RA 460 000 is required. If the distance between the appliances is greater than 16 mm or less than 160 mm or the environment very humid the additional side heating element RA 460 013 needs to be installed between the appliances to avoid condensation.

If the appliances are combined hinge to handle in a very humid environment the additional side heating element RA 460 013 is required as well. It can be omitted if the distance between the appliances is greater than 160 mm. The additional side heating element RA 460 013 does not take up any additional space. It is already included in the niche dimensions.

If the Vario cooling appliances are joined together hinge to hinge an additional stable side wall must be foreseen.

If restrictions in use are accepted (no simultaneous opening of the doors possible) the appliances can be joined together directly, using the side-by-side installation accessory RA 460 000.

When installing a Vario cooling appliance from the 400 series handleless next to a BO/BM/BS/CM from the oven 400 series, a minimum lateral distance of 30 mm is required, if the door of the Vario cooling appliance opens towards the BO/BM/BS/CM. When installing a Vario cooling appliance from the 400 series next to a BO/BM/BS from the ovens 400 series, a lateral distance of 60 mm is required, if the BO/BM/BS retrofitted handle is on the same side as the Vario cooling appliance door hinge. For the same installation next to a BOP/BMP/BSP from the ovens 200 series, a distance of 40 mm is required.

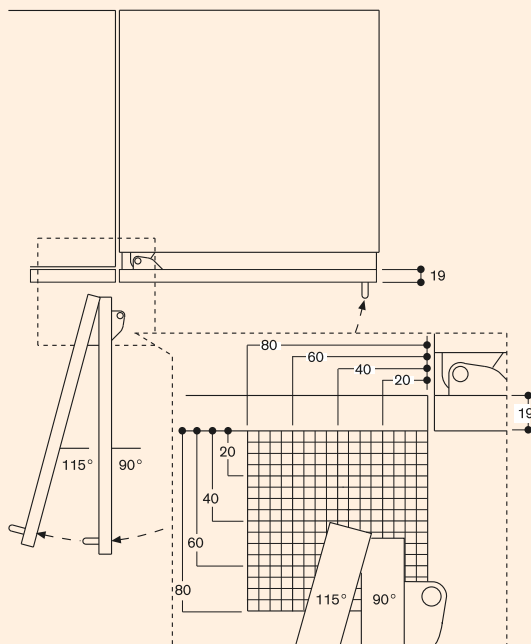
Door opening angle

To ensure correct kitchen planning it is essential to take into account the opening angle of the appliance door (plus fitted cabinet door and handle). There should be no possibility of collision with other kitchen furnishings (worktops, handles of other cabinetry etc.) or parts of the room (walls, protrusions etc.).

The space needed for the hinge and the consequential distance to the adjacent cabinetry and its handle can, depending on the panel thickness, be seen in the following drawing. The drawing assumes a panel thickness of 19 mm.

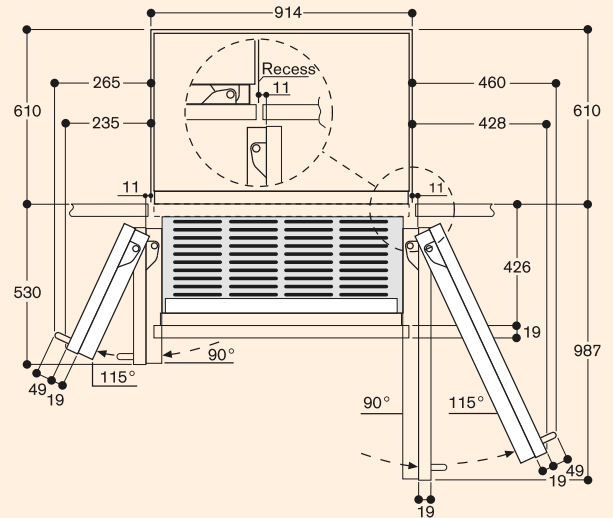
If a collision occurs, the following options are available to remedy the situation: Restrict the door opening angle to 90° (standard 115°). Pin to restrict the angle is enclosed with the appliance. **Due to limitation in use, it is not recommended to install a freezer (RF 411, RF 461, RF 463, RF 471) next to a wall which requires a door angle of 90° or any other installation which requires a 90° door angle as drawers can't be pulled out completely or removed.** If the restrictions in use are accepted, the ice storage container must be exchanged for the small ice storage container (RA 448 220). This must be done prior fixing the door.

Fit a spacer between the appliance and the cabinetry that it would collide with. Rearrange surrounding cabinetry or appliance.



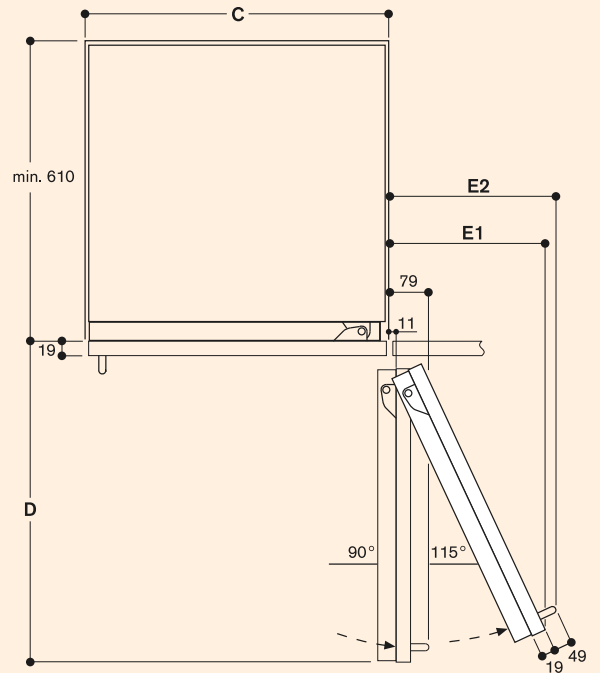
The hinge travel and resulting clearances from adjacent furniture units and handles can be found from the drawing while allowing for the thickness of the front panel. In the drawing, a furniture unit front panel thickness of 19 mm was assumed.

Wall clearance RB 492/RV 492



In the drawing, a unit front thickness of 19 mm and a Gaggenau unit handle of 49 mm were taken as a basis.

Wall clearance RB 472/RC/RF/RW



Recess width

C	D	E1	E2
457 mm	525 mm	235 mm	265 mm
610 mm	677 mm	299 mm	330 mm
762 mm	830 mm	364 mm	395 mm
914 mm	980 mm	428 mm	460 mm

In the drawing, a unit front thickness of 19 mm and a Gaggenau unit handle of 49 mm were taken as a basis.

Notes:

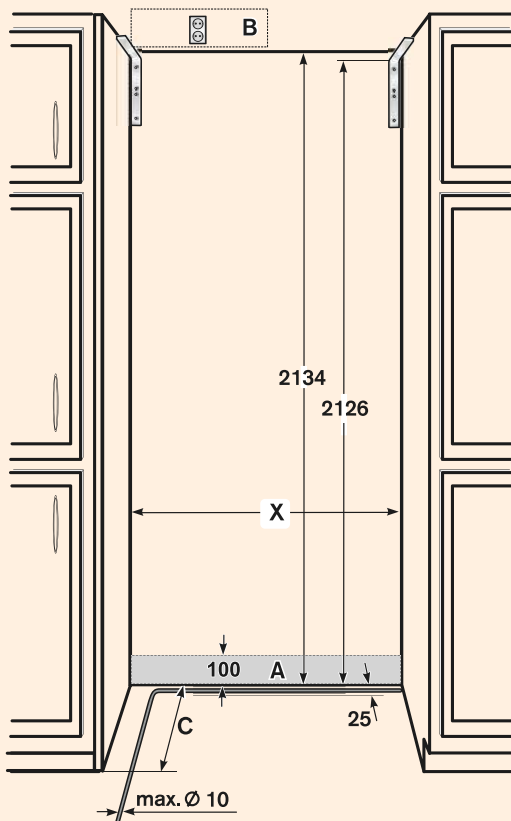
- The adjustable feet have an adjustment range of +35 mm to -13 mm. The standard height displayed in the pictures is 0 mm.
- For proper ventilation of the appliance, the clearance between the floor and bottom edge of the cabinet front must be at least 100 mm.
- The panel thickness of customised doors can range from between 19 mm and 38 mm (in the picture 19 mm).

Unlike conventional built-in appliances, Vario cooling appliances stand on the floor. This means that the installation niche is a space in a line of kitchen units.

Installation niche

The specified dimensions of the installation niche must be observed to guarantee the proper installation of the appliance and the design of the cabinet front. It is particularly important that the installation niche is square. The side walls must be smooth, not have any protrusions or unevenness. Use the appropriate tools, e.g. spirit level, diagonal measurements, etc. to determine whether the installation niche is square. The side walls and the crown of the installation niche must be at least 16 mm thick.

Installation niche for an individual appliance:



- A Area for installation the water connection
- B Area for installation the electrical connection must be outside the niche
- C Depth of installation niche, depending on kitchen design.
C = 610 mm minimum!
- X Width of installation niche, refer to the table below for more details:

Appliance type	Width of the niche X
451 mm	457 mm
603 mm	610 mm
756 mm	762 mm
908 mm	914 mm

Installation niche for a side-by-side solution:

In a side-by-side solution, there are many ways to combine the appliances. The width of the installation niche is calculated from the sum of the widths of the individual appliances. The height and depth of the installation niche correspond to the specifications for the individual appliances. It is important to comply with the dimensions in the area set aside for electric and water connections. For the precise dimensions, please refer to the details given for individual appliances.

Location

The appliance should be installed in a dry, well ventilated room. The location of the appliance should not be subject to direct sunlight or near a source of heat, such as a cooker, a radiator, etc. If installation next to a heat source is unavoidable or observe the following minimum distances from the heat source:

- 3 cm to electric or gas cookers.
- 3 cm to electric or gas ovens.
- 30 cm to an oil-fired or solid-fuel cooker.

The floor of the installation location must not give way; if required, reinforce floor. To ensure that the ice maker functions correctly, the appliance must be upright.

Surface

To ensure that the appliance is installed securely and functions properly, the surface must be level and even. The floor must consist of a hard, rigid material. The floor in the installation area must have the same height as the floor in the rest of the room. Due to the heavy weight of a fully loaded appliance, the floor beneath must be stable. If in doubt, consult an architect, structural engineer or construction expert.

Neighbouring cabinetry

The new appliance is screwed firmly in place with the neighbouring cabinet parts. Care should be taken to ensure that all cupboards onto which something is fastened, are connected firmly to the floor or the wall. The thickness of the plinth can be a maximum 19 mm.

Base area | Crown of the niche

Base area

Important!

Poor ventilation leads to damage to the appliance!

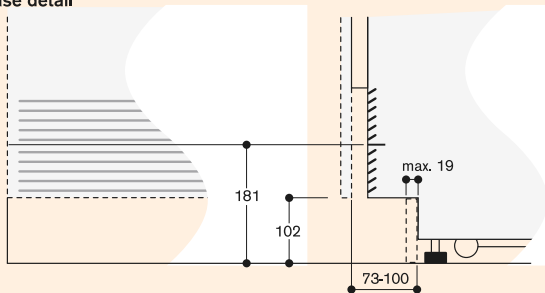
Under no circumstances is it permitted to cover the air inlets and the exhaust air outlets of the appliance in the lower base area. You must observe the minimum distance of 100 mm between the upper edge of the floor and the bottom edge of the cabinet door of the appliance. Take this into consideration also when adjusting the appliance feet.

In relation to the standard height, the maximum height of the base board is 102 mm. The plinth can be maximum 19 mm thick.

Adhesive connectors are supplied on the front panel of the appliance for fitting the base board.

The air inlets and the exhaust air outlets of the appliance are located above the base board. They must not be covered.

Base detail



Based on the standard appliance height, the height of the plinth is 102 mm. Maximum plinth thickness 19 mm.

For design reasons, it may be necessary to increase the distance between the upper edge of the floor and the bottom edge of the cabinet door of the appliance, so that it extends beyond the standard dimension of 102 mm. The maximum dimension is 181 mm. If this is the case, air inlets and exhaust air outlets would become visible!

Crown

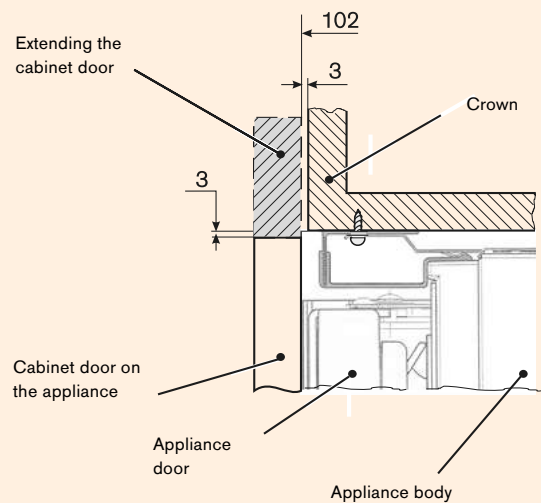
The height of the cabinet door on the appliance is dependent on:

- the overall height of the appliance,
- the distance from the bottom edge of the cabinet door to the floor,
- the appliance type (one-door or multi-door appliances).

The overall height of the appliance is 2.029 mm.

The height can be adjusted within a range of -13 mm to +35 mm. You must observe the minimum distance of 100 mm between the upper edge of the floor and the bottom edge of the cabinet door of the appliance.

This height can vary depending on the conditions at the site. It is possible, e.g. for design reasons, to lengthen the cabinet door upwards by extending it beyond the top of the appliance.



Important!

It must be ensured that the crown of the installation niche always has a depth of at least 100 mm (measured from the front edge of the appliance). Only then can the secure installation of the appliance in the installation niche be guaranteed.

The cabinetry, the height of the base board, the overall height of the kitchen and other determining dimensions of the kitchen must be taken into account, in order to plan the exact positioning of the cabinet door so that the appliance integrates perfectly into the overall picture of the kitchen.

The following diagrams show the basic dimensions of the special accessories door fronts/door front frames for various appliances.

The dimensions of the doors shown are designed for the following basic specifications:

- Height of the base board: 102 mm
- Overall height of the installation niche: 2.134 mm
- Gap: 3 mm
- Panel thickness: 19 mm

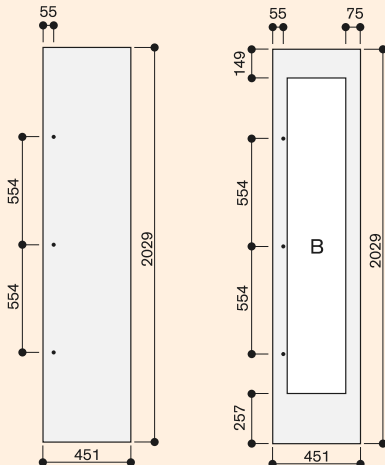
These specifications provide you with a good starting point for a variety of kitchen designs.

When designing a customised cabinet door, please ensure that the back of the cabinet door is visible to a height of 205 mm over the floor when opening the appliance door and adapt to the front design. All diagrams are also valid for doors without handle.

Important!

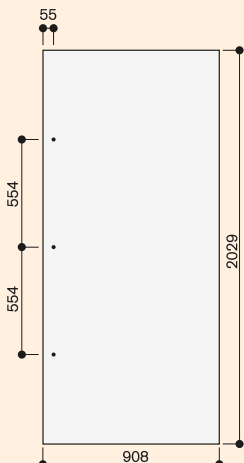
The following diagrams are not a substitute for detailed designs. Compliance with specified requirements relating to kitchen design is essential.

Recess width 45.7 cm



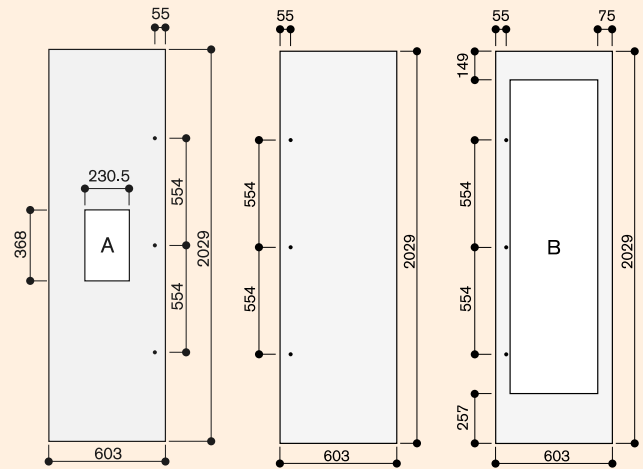
The door panel thickness is 19 mm.
The maximum door panel dimensions are based on a clearance of 3 mm, based on a single recess.
B: Width of the side frame parts of the door panel can be between 65 mm and 82 mm.

Appliance width 91.4 cm



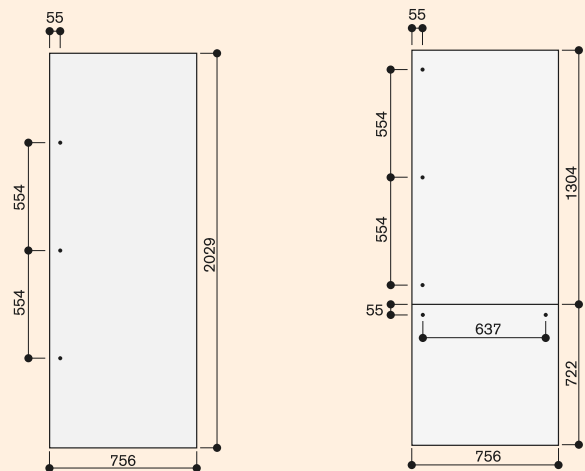
The door panel thickness is 19 mm.
The maximum door panel dimensions are based on a clearance of 3mm, based on a single recess.

Recess width 61 cm



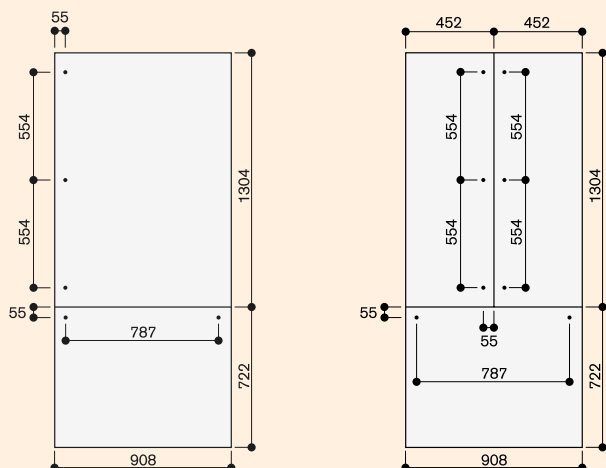
The door panel thickness is 19 mm.
The maximum door panel dimensions are based on a clearance of 3 mm, based on a single recess.
A: The cut-out for the ice and water dispenser is designed so that it is horizontally and vertically centred.
B: Width of the side frame parts of the door panel can be between 65 mm and 82 mm.

Recess width 76.2 cm



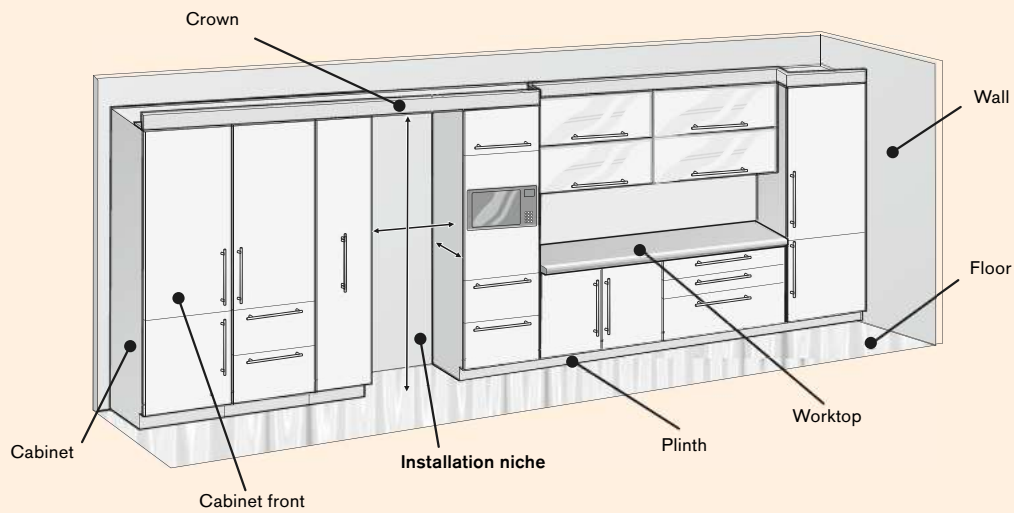
The door panel thickness is 19 mm.
The maximum door panel dimensions are based on a clearance of 3 mm, based on a single recess.

Recess width 91.4 cm

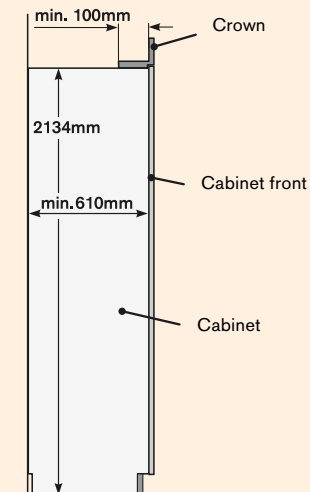


The door panel thickness is 19 mm.
The maximum door panel dimensions are based on a clearance of 3 mm, based on a single recess.

Planning principle for an individual appliance



Vertical cut Installation niche



Installation niche for an individual cooling appliance (example: 762 mm wide)

In this example, the installation niche is formed by two tall cupboards (left and right) with an appropriate crown to the niche.

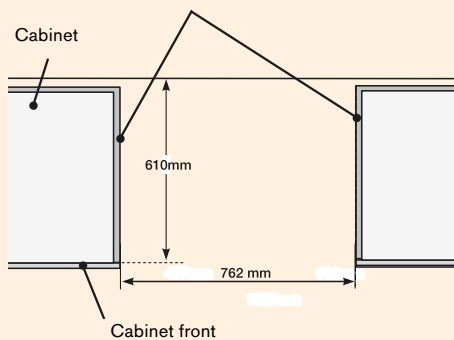
The cabinet door for the appliance comes in an identical design to the other kitchen fronts.

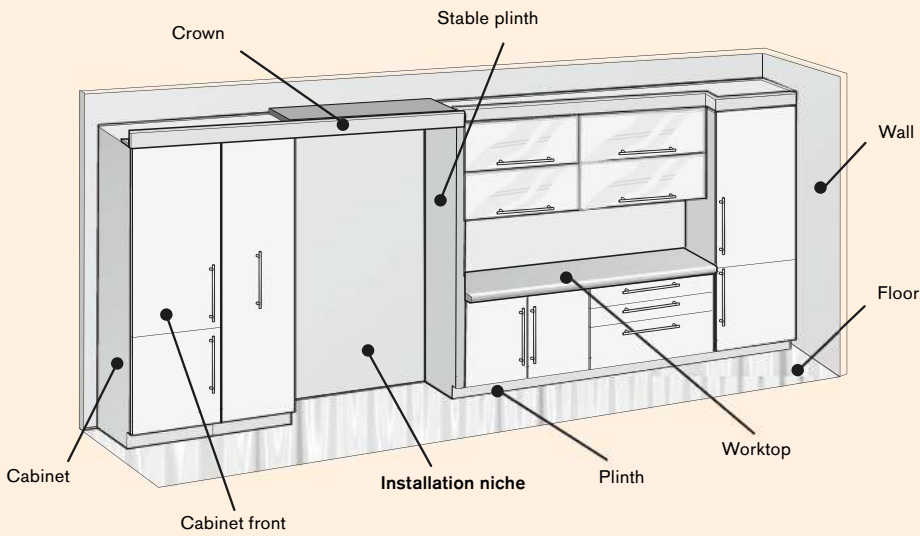
Requirements for the installation niche:

- The side walls of the installation niche must be completely even and flat along their entire depth
- Crown is at least 100 mm deep and made of a solid material (min. 16 mm thick)
- Width of the installation niche: 762 mm
- Depth of the installation niche: min. 610 mm

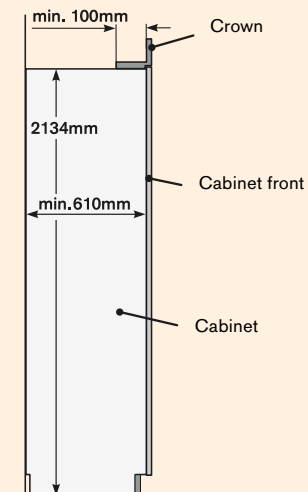
The side walls of the installation niche must be completely even and flat along their entire depth.

Horizontal cut Installation niche





Vertical cut Installation niche



Installation niche for a side-by-side solution

- 610 mm cooling appliance (right)
- 457 mm freezer (left)

In this example, the installation niche is formed by a tall cupboard (left) and a stable plinth (right) together with an appropriate crown for the niche.

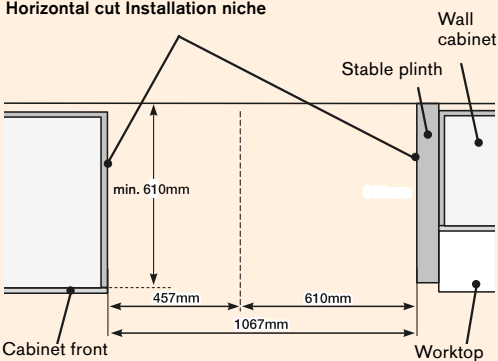
The cabinet door for both appliances comes in an identical design to the other kitchen fronts.

Requirements for the installation niche:

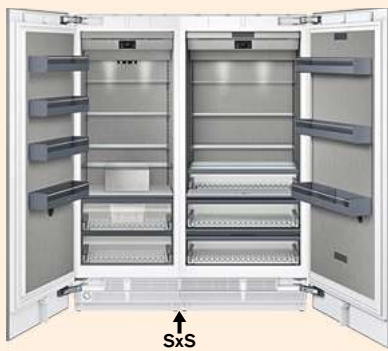
- The side walls of the installation niche must be completely even and flat along their entire depth
- Crown is at least 100 mm deep and made of a solid material (min. 16 mm thick)
- Width of the installation niche:
610 mm + 457 mm = 1.067 mm
- Depth of the installation niche: min. 610 mm

The side walls of the installation niche must be completely even and flat along their entire depth.

Horizontal cut Installation niche



Planning examples



Side-by-side solution 1

RF 471 / RC 492

Usability limitations: No limitation.

Installation accessories: 1x RA 460 000 installation accessories for side-by-side installation (SxS)*.

Notes: Door hinges on the outside.



Side-by-side solution 2

RW 414 / RB 472

Usability limitations: No limitation.

Installation accessories: 1x RA 460 000 installation accessories for side-by-side installation (SxS)*.

Notes: Door hinges on the outside. Change door hinge of RW.

If using the stainless steel fronts with a handle (installation accessories), select the correct door hinges for the RW.



Side-by-side solution 3

RW 414 / RY 492

Usability limitations: Not all doors can be opened at the same time. The left door of the RY may collide with the handle of the RW.

Installation accessories: 1x RA 460 000 installation accessories for side-by-side installation (SxS)*.

Notes: Fitting the left RY doors at 90° is recommended. Change door hinge of RW. If using the stainless steel fronts with a handle (installation accessories), select the correct door hinges for the RW.

Combination of 3

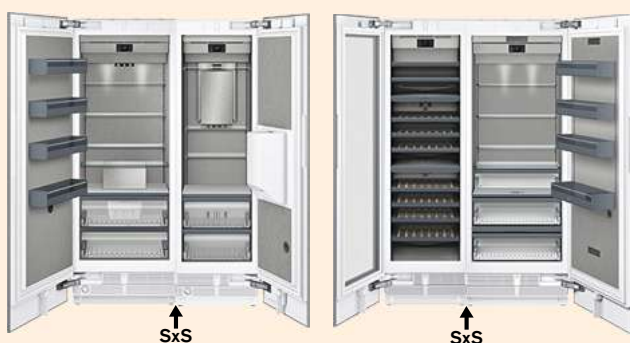


RF 461 / RW 466 / RC 462

Usability limitations: The doors of RW and RC cannot be opened at the same time, but one after another.

Installation accessories: 2x RA 460 000 installation accessories for side-by-side installation (SxS)*.

Notes: All three appliances must be connected to each other before installation and pushed together into the installation niche.



Maximum distance

RF 471 / RF 463 / RW 466 / RC 472

Usability limitations: No limitation. All doors can be opened fully.

Installation accessories: 2x RA 460 000 (SxS)*.

Notes: Two separate installation niches. Clearance is large enough to open all doors at the same time. Change door hinge of RW 466.

If using the stainless steel fronts with a handle (installation accessories), select the correct door hinges for the RW.



Distance \geq 160 mm

RF 471 / RF 463 / RW 466 / RC 472

Usability limitations: The middle doors cannot be opened at the same time.

Installation accessories: 2x RA 460 000 (SxS)*.

Notes: Two separate installation niches. The clearance between the two installation niches is greater than 160 mm. Change door hinge of RW.

If using the stainless steel fronts with a handle (installation accessories), select the correct door hinges for the RW.



Distance \leq 160 mm

RF 471 / RF 463 / RW 466 / RC 472

Usability limitations: It may be necessary to open the middle doors one after the other, rather than at the same time.

Installation accessories: 2x RA 460 000 (SxS)*, 1x RA 460 013 (HE)*.

Notes: Two separate installation niches with a stable plinth between them. The clearance between the two installation niches is less than 160 mm. Therefore, an additional side heating element is required. Change door hinge of RW. If using the stainless steel fronts with handle (installation accessories), select the correct door hinges for the RW.



Combination of 4

RF 471 / RF 463 / RW 466 / RC 472

Usability limitations: If the middle door is open, then neither of the outer doors can be opened.

Installation accessories: 3x RA 460 000 installation accessories for side-by-side installation (SxS)*.

Notes: The appliances in the middle are connected side-by-side. Connecting the others will require additional side-by-side installation accessory. All four appliances must be connected to each other before installation and pushed together into the installation niche.



Combination of 4 - alternative

RF 471 / RF 463 / RW 466 / RC 472

Usability limitations: The middle doors cannot be opened at the same time.

Installation accessories: 3x RA 460 000 installation accessories for side-by-side installation (SxS)*.

Notes: The appliances in the middle are connected hinge to hinge. All four appliances must be connected to each other before installation and pushed together into the installation niche. Change door hinge of RF 471 and RW 466. If using the stainless steel fronts with handle (installation accessories), select the correct door hinges for the RW.

Footnote:

*SxS Accessory for side-by-side installation. In a very humid environment always use the additional side heating element instead of the accessory for side-by-side installation.
 *HE Additional side heating element. Always required, if the distance between the appliances is greater than 16 mm or less than 160 mm.



RB 289 300

With fresh cooling close to 0 °C
Fully integrated
Niche width 56 cm,
Niche height 177.5 cm



Included in the price

- 2 bottle supports, maple wood
- 2 egg trays
- 1 ice cube tray
- 2 ice packs

Special accessories

RA 430 100

Storage container with transparent lid, anthracite.

RA 238 030

Solid maple bottle support with magnetic connector, oiled.

RA 260 000

Heavy duty hinge support for a maximum door weight of 24 kg.

Vario fridge-freezer combination 200 series

RB 289

- Interior with precision-fitted, solid aluminium elements in Gaggenau Light Bronze
- Extendable shelves and drawers
- Warm white and glare-free LED light
- 4 climate zones incl. 2 fresh cooling drawers close to 0 °C
- Height-adjustable, extendable safety glass shelves, set in solid aluminium profiles
- Cushioned door closing system allowing a soft and controlled door closure
- Easy-glide, fully extendable telescopic pull-out racks and a cushioned closing system allowing soft and controlled drawer closure
- Solid maple bottle supports with magnetic connector
- Total volume 223 litres

Handling

Electronic temperature control with digital display.
Touch keys.

Technical Features

Automatic defrosting with defrost water evaporation.

Cushioned door closing system from 20° door opening angle, integrated in door hinge.

Open-door and malfunction alarm.

Holiday mode.

Home network integration for digital services (Home Connect) wireless via WiFi.

The use of the Home Connect functionality depends on the Home Connect services, which are not available in every country. For further information please check: home-connect.com.

Please read additional information on Home Connect on page 345.

Cooling

Fast cooling.

Temperature adjustable from +3 °C to +8 °C.

2 height-adjustable safety glass shelves, partly extendable.
1 frosted white glass shelf.

2 oiled, solid maple bottle supports with magnetic connector, can be increased to 5 supports per shelf.

A total of 9 bottles (based on a 0.75 l bottle) can be stored on one level using 5 bottle supports.

The bottle supports are also suitable for storing champagne bottles and magnums.

1 large aluminium door rack for bottles.
1 aluminium door rack.

Warm white interior lighting (3500 K) with integrated glare-free LED side lights.
Volume 101 litres.

Fresh cooling close to 0 °C

Drawers with solid aluminium handles and signature drawer front with a gradual frosted surface.

1 fully extendable fresh cooling drawer close to 0 °C, illuminated.

Humidity can be adjusted manually.
Ideal for fruit and vegetables.

1 fully extendable fresh cooling drawer close to 0 °C, illuminated.

Ideal for meat, fish and poultry.

Volume 55 litres.

Freezing

No-frost technology with fast freezing.

Temperature adjustable from -14 °C to -24 °C.

4-star freezer compartment.

Drawers with solid aluminium handles and signature drawer front with a gradual frosted surface.

Defrost assistance.

Freezing capacity 7 kg/24 h.

Storage time after a malfunction 8 h.

3 freezer drawers, 1 of which extra large.

2 safety glass shelves.

Volume 67 litres.

Consumption data

Energy efficiency class D at a range of energy efficiency classes from A to G.

Energy consumption 201 kWh/year.

Noise level 37 dB (A) re 1 pW.

Planning notes

Flat hinge.

Door hinge right, reversible.

Door opening angle of 115°, fixable at 90°.

Max. door panel weight:

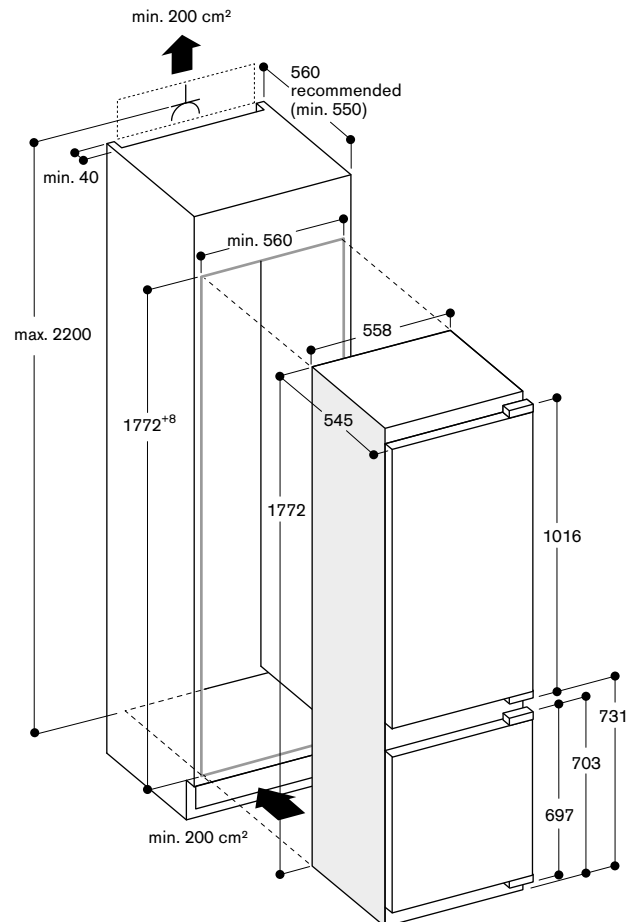
Upper door 19 kg. Lower door 19 kg.

Please read additional planning notes on page 305.

Connection

Total connected load 0.090 kW.

Connecting cable 2.3 m with plug.



**RT 289 370**

With fresh cooling close to 0 °C
Fully integrated
Niche width 56 cm,
Niche height 177.5 cm

**Included in the price**

2 bottle supports, maple wood
2 egg trays
1 ice cube tray

Special accessories**RA 430 100**

Storage container with transparent lid,
anthracite.

RA 238 030

Solid maple bottle support with
magnetic connector, oiled.

RA 260 000 (included)

Heavy duty hinge support for a
maximum door weight of 27 kg.

**Vario fridge-freezer combination
200 series****RT 289**

- Interior with precision-fitted, solid aluminium elements in Gaggenau Light Bronze
- Opening assist for door:
 1. Push-to-open function for integration into handleless furniture front
 2. Door opening via voice assistant possible
- Extendable shelves and drawers
- 4 climate zones incl. 3 fresh cooling drawers close to 0 °C
- Height-adjustable, extendable safety glass shelves, set in solid aluminium profiles
- Easy-glide, fully extendable telescopic pull-out racks and a cushioned closing system allowing soft and controlled drawer closure
- Solid maple bottle supports with magnetic connector
- Total volume 269 litres

Handling

Electronic temperature control with digital display.
Touch keys.

Technical Features

Automatic defrosting with defrost water evaporation.

Cushioned door closing system from 20° door opening angle, integrated in door hinge.

Open-door and malfunction alarm.

Home network integration for digital services (Home Connect) wireless via WiFi.

The use of the Home Connect functionality depends on the Home Connect services, which are not available in every country. For further information please check: home-connect.com.

Please read additional information on Home Connect on page 345.

Cooling

Fast cooling.
Temperature adjustable from +3 °C to +8 °C.
5 height-adjustable safety glass shelves, partly extendable.
1 frosted white glass shelf.
2 oiled, solid maple bottle supports with magnetic connector, can be increased to 5 supports per shelf. A total of 9 bottles (based on a 0.75 l bottle) can be stored on one level using 5 bottle supports.
The bottle supports are also suitable for storing champagne bottles and magnums.
1 large aluminium door rack for bottles.
3 aluminium door racks.
Warm white interior lighting (3500 K) with integrated glare-free LED side lights.
Volume 171 litres.

Fresh cooling close to 0 °C

Drawers with solid aluminium handles and signature drawer front with a gradual frosted surface.

1 fully extendable fresh cooling drawer close to 0 °C, illuminated.

Humidity can be adjusted manually. Ideal for fruit and vegetables.

2 fully extendable fresh cooling drawers close to 0 °C, illuminated.

Ideal for meat, fish and poultry. Volume 83 litres.

Freezing

Storage temperature -18 °C and lower. 4-star freezer compartment.

Freezing capacity 2.8 kg/24 h.

Storage time after a malfunction 9.5 h. Volume 15 litres.

Consumption data

Energy efficiency class E at a range of energy efficiency classes from A to G.

Energy consumption 184 kWh/year.

Noise level 36 dB (A) re 1 pW.

Planning notes

Flat hinge.

Door hinge right, reversible.

Door opening angle of 115°, fixable at 90°.

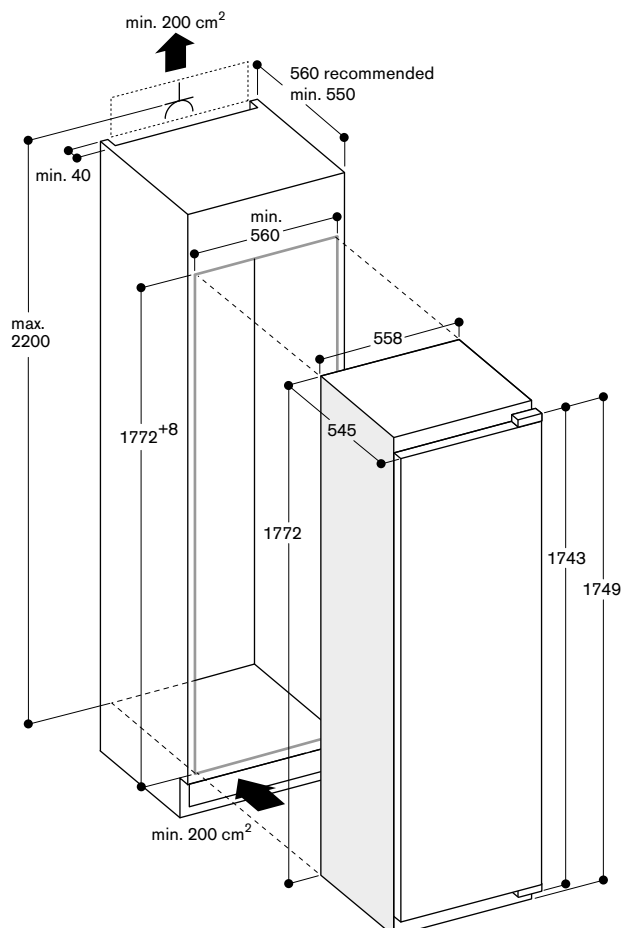
Max. door panel weight 22 kg.

Please read additional planning notes on page 305.

Connection

Total connected load 0.090 kW.

Connecting cable 2.3 m with plug.





RC 289 370

With fresh cooling close to 0 °C
Fully integrated
Niche width 56 cm,
Niche height 177.5 cm



Included in the price

2 bottle supports, maple wood
2 egg trays

Special accessories

RA 430 100

Storage container with transparent lid, anthracite.

RA 238 030

Solid maple bottle support with magnetic connector, oiled.

RA 260 000 (included)

Heavy duty hinge support for a maximum door weight of 27 kg.

Vario refrigerator 200 series

RC 289

- Interior with precision-fitted, solid aluminium elements in Gaggenau Light Bronze
- Opening assist for door:
 1. Push-to-open function for integration into handleless furniture front
 2. Door opening via voice assistant possible
- Extendable shelves and drawers
- 3 climate zones incl. 3 fresh cooling drawers close to 0 °C
- Height-adjustable, extendable safety glass shelves, set in solid aluminium profiles
- Combines with freezer RF287 (side-by-side integration)
- Cushioned door closing system allowing a soft and controlled door closure
- Easy-glide, fully extendable telescopic pull-out racks and a cushioned closing system allowing soft and controlled drawer closure
- Solid maple bottle supports with magnetic connector
- Total volume 289 litres

Handling

Electronic temperature control with digital display.
Touch keys.

Technical Features

Automatic defrosting with defrost water evaporation.

Cushioned door closing system from 20° door opening angle, integrated in door hinge.

Open-door and malfunction alarm.

Home network integration for digital services (Home Connect) wireless via WiFi.

The use of the Home Connect functionality depends on the Home Connect services, which are not available in every country. For further information please check: home-connect.com.

Please read additional information on Home Connect on page 345.

Cooling

Fast cooling.

Temperature adjustable from +3 °C to +8 °C.

6 safety glass shelves, height adjustable, partly extendable.

1 frosted white glass shelf.

2 oiled, solid maple bottle supports with magnetic connector, can be increased to 5 supports per shelf.

A total of 9 bottles (based on a 0.75 l bottle) can be stored on one level using 5 bottle supports.

The bottle supports are also suitable for storing champagne bottles and magnums.

1 large aluminium door rack for bottles.
3 aluminium door racks.

Warm white interior lighting (3500 K) with integrated glare-free LED side lights.
Volume 206 litres.

Fresh cooling close to 0 °C

Drawers with solid aluminium handles and signature drawer front with a gradual frosted surface.

1 fully extendable fresh cooling drawer close to 0 °C, illuminated.

Humidity can be adjusted manually. Ideal for fruit and vegetables.

2 fully extendable fresh cooling drawers close to 0 °C, illuminated. Ideal for meat, fish and poultry.

Volume 83 litres.

Consumption data

Energy efficiency class D at a range of energy efficiency classes from A to G.

Energy consumption 120 kWh/year.

Noise level 36 dB (A) re 1 pW.

Planning notes

Flat hinge.

Door hinge right, reversible.

Door opening angle of 115°, fixable at 90°.

Max. door panel weight 22 kg.

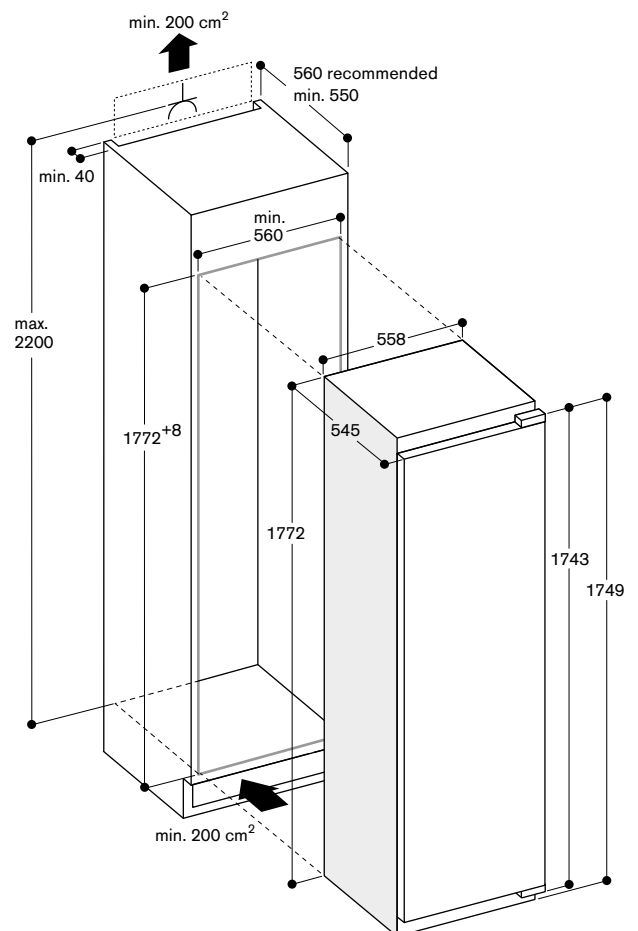
For a side-by-side installation every appliance must be planned in its own niche.

Please read additional planning notes on page 305.

Connection

Total connected load 0.090 kW.

Connecting cable 2.3 m with plug.



**RF 287 370**

Fully integrated
Niche width 56 cm,
Niche height 177.5 cm

**Included in the price**

- 1 ice cube tray
- 2 ice packs

Special accessories**RA 260 000 (included)**

Heavy duty hinge support for a maximum door weight of 27 kg.

Vario freezer 200 series**RF 287**

- Interior with precision-fitted, solid aluminium elements in Gaggenau Light Bronze
- Opening assist for door:
 1. Push-to-open function for integration into handleless furniture front
 2. Door opening via voice assistant possible
- Safety glass shelves, set in solid aluminium profiles
- Drawers with solid aluminium handles and signature drawer front with a gradual frosted surface
- Warm white interior lighting (3500 K) with integrated glare-free LED side lights
- Direct access through partitioning with open storage areas
- Combines with fridge RC289 (side-by-side integration)
- Combines with wine climate cabinet RW282 (side-by-side integration)
- Cushioned door closing system allowing a soft and controlled door closure
- Total volume 212 litres

Handling

Electronic temperature control with temperature display.
Touch keys.

Technical Features

Dynamic cold air distribution.
Cushioned door closing system from 20° door opening angle, integrated in door hinge.
Open-door and malfunction alarm.

Home network integration for digital services (Home Connect) wireless via WiFi.

The use of the Home Connect functionality depends on the Home Connect services, which are not available in every country. For further information please check: home-connect.com.

Please read additional information on Home Connect on page 345.

Freezing

No-frost technology with fast freezing.
Temperature adjustable from -14 °C to -24 °C.
4-star freezer compartment.
Freezing capacity 14 kg/24 h.
Storage time after a malfunction 9 h.
3 freezer drawers, 1 of which is extra large, removable.
6 safety glass shelves, 3 of which are set in solid aluminium profiles, removable.

Consumption data

Energy efficiency class E at a range of energy efficiency classes from A to G.
Energy consumption 235 kWh/year.
Noise level 35 dB (A) re 1 pW.

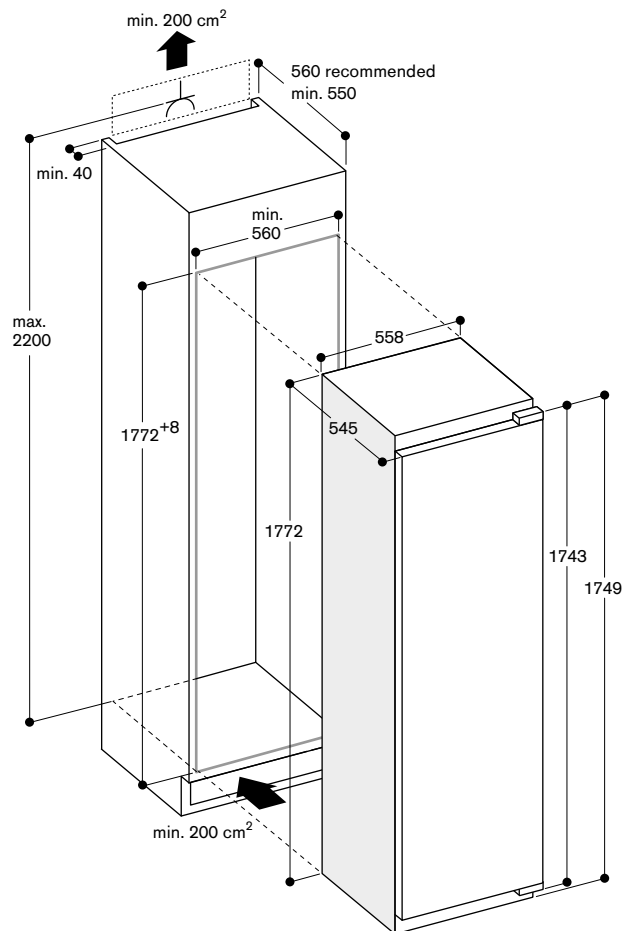
Planning notes

Flat hinge.
Door hinge left, reversible.
Door opening angle of 115°, fixable at 90°.
Max. door panel weight 22 kg.
For a side-by-side installation every appliance must be planned in its own niche.

Please read additional planning notes on page 359.

Connection

Total connected load 0.120 kW.
Connecting cable 2.3 m with plug.





RY 295 350

With fresh cooling 0 °C

Freestanding

Front doors and drawer in anthracite stainless steel

Width 91 cm, height 183 cm



Included in the price

1 ice cube scoop

1 activated charcoal filter

Special accessories

RA 450 012

Activated charcoal filter for water filter system

Freestanding fridge-freezer combination 200 series

RY 295

- 3 climate zones incl. fresh cooling 0 °C
- 2 fresh cooling drawer 0 °C with 5 preset temperature settings between -2 °C and +4 °C
- 3 symmetrically split glass shelves, height adjustable
- Integrated ice maker with fixed inlet water connection
- Internal water dispenser for chilled water
- 5 preset brightness settings for the lighting
- Total volume 573 litres

Handling

Electronic temperature control with temperature display.

Touch keys.

Technical Features

Dynamic cold air distribution.

Automatic defrosting with defrost water evaporation.

Open-door and malfunction alarm.

Child lock.

Rest mode certified by Star-K.

Holiday mode.

Dark anthracite coloured top and side panels outside.

Activated charcoal filter for water filter system with saturation indicator shown in display.

Air filter.

Home network integration for digital services (Home Connect) wireless via WiFi.

The use of the Home Connect functionality depends on the Home Connect services, which are not available in every country. For further information please check: home-connect.com.

Please read additional information on Home Connect on page 345.

Cooling

Fast cooling.

Temperature adjustable from +2 °C to +8 °C.

3 split safety glass shelves, all 6 half shelves with manual height adjustment. 1 integrated shelf.

2 large door racks for bottles.

4 door racks, 2 of which are height adjustable.

1 full width drawer.

Internal water dispenser with fixed inlet water connection, integrated in left side wall.

Glare-free LED lighting (5600 K).

5 preset brightness settings for the lighting, also via Home Connect.

Interior stainless steel back wall.

Volume 335 litres.

Fresh cooling 0 °C

2 fresh cooling 0 °C drawers.

5 preset temperature settings between -2 °C and +4 °C combined with humidity setting for fish and meat, fruit, vegetables, beverages, standard.

Volume 67 litres.

Freezing

No-Frost technology with fast freezing.

Temperature adjustable from

-16 °C to -24 °C.

4-star freezer compartment.

Freezing capacity 15 kg /24 h.

Storage time after a malfunction 18.5 h.

3 fully extendable drawers.

Volume 171 litres.

Ice maker

Integrated in the freezer compartment, with fixed inlet water connection.

Can be switched off manually.

Ice cube production approx. 1.5kg/24 h.

Removable ice storage container with

approx. 3 kg capacity.

Consumption data

Energy efficiency class E at a range of energy efficiency classes from A to G.

Energy consumption 333 kWh/year.

Noise level 39 dB (A) re 1 pW.

Planning notes

Door opening angle of 118°, fixable at 90°.

Wall recess of 25 mm necessary.

If the water pressure exceeds 0.8 MPa (8 bar), connect pressure relief valve between water tap and hose set.

To achieve the declared energy consumption, the attached spacers have to be used. The spacers increase the appliance depth by about 2.5 cm.

Without the spacers, the appliance is fully functional but consumes slightly more energy.

Special accessories (order as spare parts):

Part No. 10012733

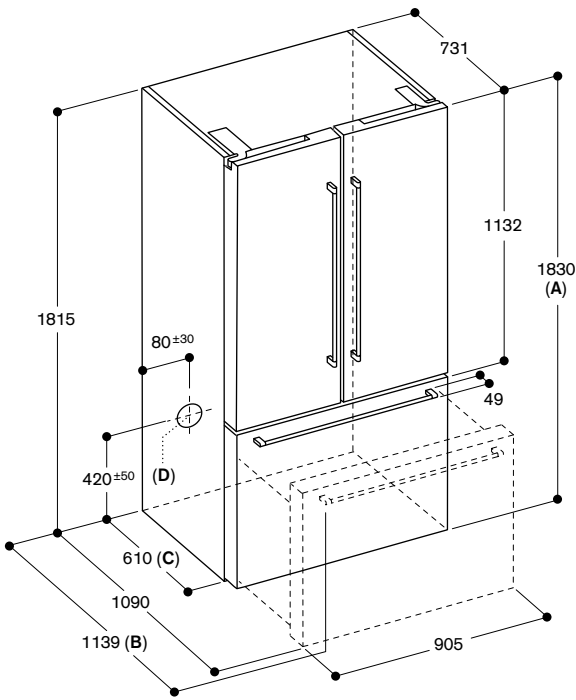
Connection

Connecting cable 2.4 m with plug.

Water inlet.

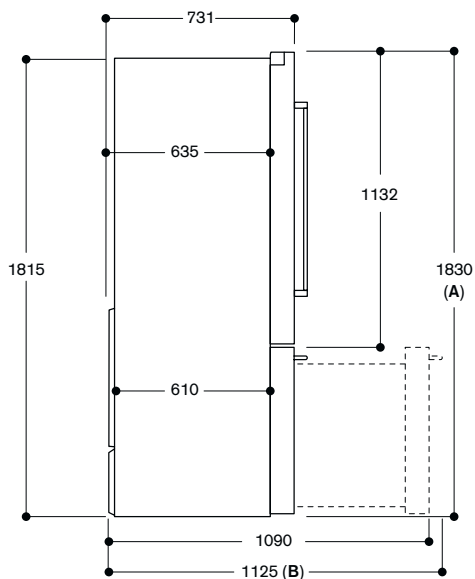
Supply hose 3.0 m with 3/4" connection.

Water pressure 2 to 8 bar.



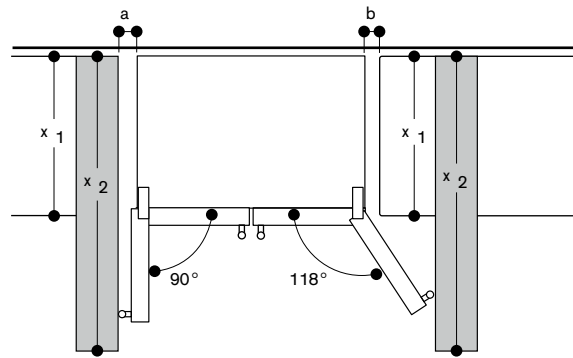
- A: Front is adjustable from 1830 to 1847, with front levelling feet fully extended.
- B: With handle
- C: Add 25 mm for fixed spacers on back
- D: Water connection position

measurements in mm



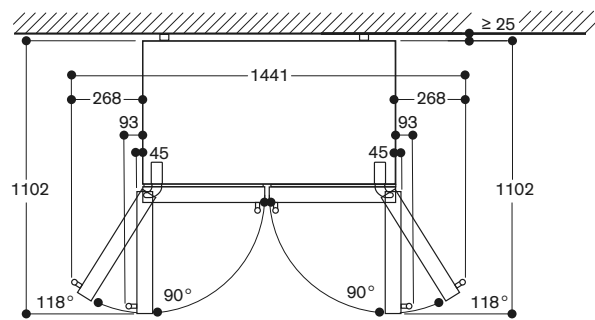
- A: Front is adjustable from 1830 to 1847, with front levelling feet fully extended
- B: With handle

measurements in mm



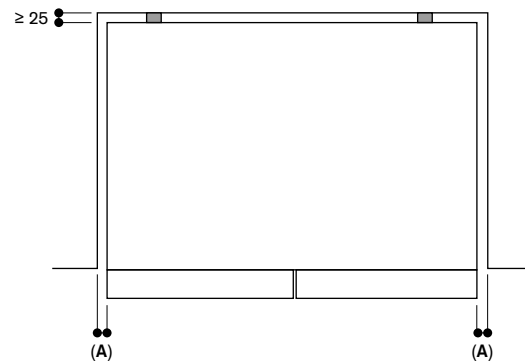
x ₁ (unit depth)	a	b
600	0	0
650	0	33
700	45	60
x ₂ (wall)	93	266

measurements in mm



measurements in mm

Minimum Clearances



A: ≥ 3.2 mm

Leave a clearance of min. 12.7 mm above the appliance. Observe minimum clearances as seen above

measurements in mm



RB 282 306

With fresh cooling close to 0 °C
Fully integrated
Niche width 56 cm,
Niche height 177.5 cm



Included in the price

- 2 ice packs
- 3 egg trays
- 1 wine and champagne rack
- 1 ice cube tray with lid

Special accessories

RA 430 100

Storage container with transparent lid, anthracite.

RA 260 000

Heavy duty hinge support for a maximum door weight of 24 kg.

Fridge-freezer combination 200 series RB 282

- 4 climate zones incl. 2 fresh cooling drawers close to 0 °C
- Height adjustable safety glass shelves
- Door racks with aluminium profiles
- Cushioned door closing system allowing a soft and controlled door closure
- Total volume 223 litres

Handling

Electronic temperature control with digital display.
Touch keys.

Technical Features

Automatic defrosting with defrost water evaporation.
Cushioned door closing system from 20° door opening angle, integrated in door hinge.
Open-door and malfunction alarm.
Holiday mode.

Home network integration for digital services (Home Connect) wireless via WiFi.

The use of the Home Connect functionality depends on the Home Connect services, which are not available in every country. For further information please check: home-connect.com.

Please read additional information on Home Connect on page 345.

Cooling

Fast cooling.
Temperature adjustable from +3 °C to +8 °C.
2 safety glass shelves, height adjustable, of which 1 is extendable.
1 integrated shelf.
Wine and champagne rack for 4 bottles, can be completely folded.
1 large door rack with aluminium profile for bottles with flexible bottle holder.
1 door rack with aluminium profile.
Bright interior lighting (5800 K) with integrated glare-free LED side light element.
Volume 101 litres.

Fresh cooling close to 0 °C

1 fully extendable fresh cooling drawer close to 0 °C, illuminated.
Humidity can be adjusted manually.
Ideal for fruit and vegetables.
1 fully extendable fresh cooling drawer close to 0 °C, illuminated.
Ideal for meat, fish and poultry.
Volume 55 litres.

Freezing

No-Frost technology with fast freezing.
Temperature adjustable from -16 °C to -24 °C.
4-star freezer compartment.
Defrost assistance.
Freezing capacity 7 kg/24 h.
Storage time after a malfunction 8 h.
3 freezer drawers, 1 of which extra large.
2 safety glass shelves.
Volume: 67 litres.

Consumption data

Energy efficiency class D at a range of energy efficiency classes from A to G.
Energy consumption 201 kWh/year.
Noise level: 37 dB (A) re 1 pW.

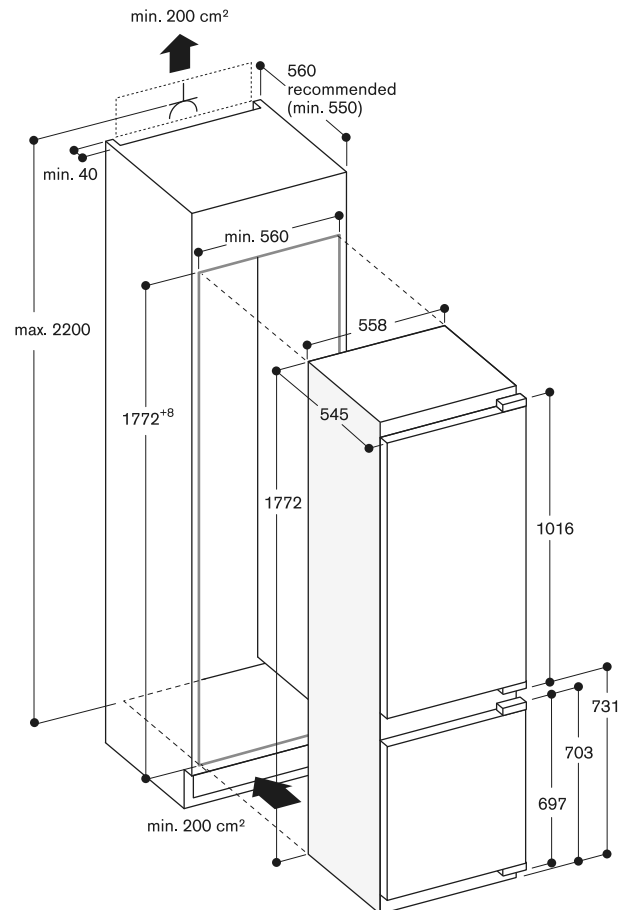
Planning notes

Flat hinge.
Door hinge right, reversible.
Door opening angle of 115°, fixable at 90°.
Max. door panel weight:
Upper door 19 kg.
Lower door 19 kg.

Please read additional planning notes on page 305.

Connection

Total connected load 0.090 kW.
Connecting cable 2.3 m with plug.



**RT 282 306**

With fresh cooling close to 0 °C
Fully integrated
Niche width 56 cm,
Niche height 177.5 cm

**Included in the price**

3 egg trays
1 wine and champagne rack
1 ice cube tray with lid

Special accessories**RA 430 100**

Storage container with transparent lid,
anthracite.

RA 260 000

Heavy duty hinge support for a
maximum door weight of 27 kg.

Fridge-freezer combination 200 series**RT 282**

- 4 climate zones incl. 3 fresh cooling drawers close to 0 °C
- Height adjustable safety glass shelves
- Door racks with aluminium profiles
- Cushioned door closing system allowing a soft and controlled door closure
- Total volume 269 litres

Handling

Electronic temperature control with digital display.
Touch keys.

Technical Features

Automatic defrosting with defrost water evaporation.
Cushioned door closing system from 20° door opening angle, integrated in door hinge.
Open-door and malfunction alarm.

Home network integration for digital services (Home Connect) wireless via WiFi.

The use of the Home Connect functionality depends on the Home Connect services, which are not available in every country. For further information please check: home-connect.com.

Please read additional information on Home Connect on page 345.

Cooling

Fast cooling.
Temperature adjustable from +3 °C to +8 °C.
5 safety glass shelves, height adjustable, of which 1 is extendable.
1 integrated shelf.
Wine and champagne rack for 4 bottles, can be completely folded away.
1 large door rack with aluminium profile for bottles with flexible bottle holder.
4 door racks with aluminium profile.
Bright interior lighting (5800 K) with integrated glare-free LED side light element.
Volume 171 litres.

Fresh cooling close to 0 °C

1 fully extendable fresh cooling drawer close to 0 °C, illuminated.
Humidity can be adjusted manually.
Ideal for fruit and vegetables.
2 fully extendable fresh cooling drawers close to 0 °C, illuminated.
Ideal for meat, fish and poultry.
Volume 83 litres.

Freezing

Storage temperature -18 °C and lower.
4-star freezer compartment.
Freezing capacity 2.8 kg/24 h.
Storage time after a malfunction 9.5 h.
Volume 15 litres.

Consumption data

Energy efficiency class E at a range of energy efficiency classes from A to G.
Energy consumption 184 kWh/year.
Noise level: 36 dB (A) re 1 pW.

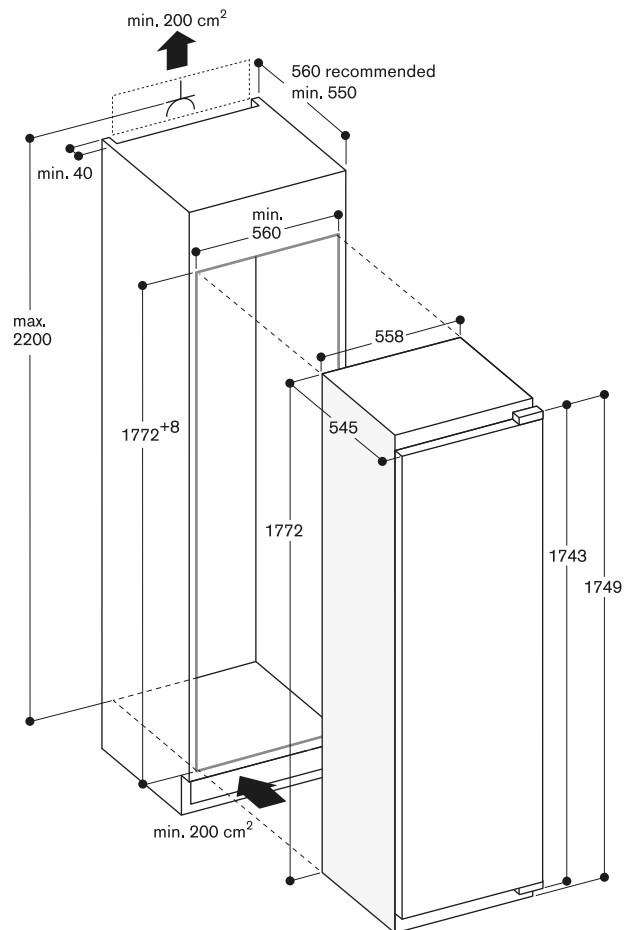
Planning notes

Flat hinge.
Door hinge right, reversible.
Door opening angle of 115°, fixable at 90°.
Max. door panel weight 22 kg.

Please read additional planning notes on page 305.

Connection

Total connected load 0.090 kW.
Connecting cable 2.3 m with plug.





RT 282 204

With fresh cooling
Fully integrated
Niche width 56 cm,
Niche height 177.5 cm



Included in the price

2 egg trays
1 wine and champagne rack
1 ice cube tray

Special accessories

RA 430 100

Storage container with transparent lid, anthracite.

RA 260 000

Heavy duty hinge support for a maximum door weight of 27 kg.

Fridge-freezer combination 200 series RT 282

- 3 climate zones incl. one fresh cooling drawer with manually adjustable humidity
- Height adjustable safety glass shelves
- Door racks with aluminium profiles
- Cushioned door closing system allowing a soft and controlled door closure
- Total volume 286 litres

Handling

Electronic temperature control with digital display.
Touch keys.

Technical Features

Dynamic cold air distribution.
Automatic defrosting with defrost water evaporation.
Cushioned door closing system from 20° door opening angle, integrated in door hinge.
Open-door and malfunction alarm.

Cooling

Temperature adjustable from +2 °C to +8 °C.
4 safety glass shelves, of which 1 is fully extendable and 4 height adjustable.
1 integrated shelf.
Wine and champagne rack for 4 bottles, can be completely folded away.
1 large door rack with aluminium profile for bottles with flexible bottle holder.
5 door racks with aluminium profile.
1 vegetable drawer.
Bright interior lighting (5800 K) with integrated glare-free LED side light elements.
Total volume all refrigerator compartments 252 litres.

Fresh cooling

1 full width fresh cooling drawer.
Humidity can be adjusted manually.
Ideal for fruit and vegetables.

Freezing

Fast freezing.
Storage temperature -18 °C and lower.
4-star freezer compartment.
Freezing capacity 4 kg/24 h.
Storage time after a malfunction 16 h.
Volume 34 litres.

Consumption data

Energy efficiency class F at a range of energy efficiency classes from A to G.
Energy consumption 222 kWh/year.
Noise level: 36 dB (A) re 1 pW.

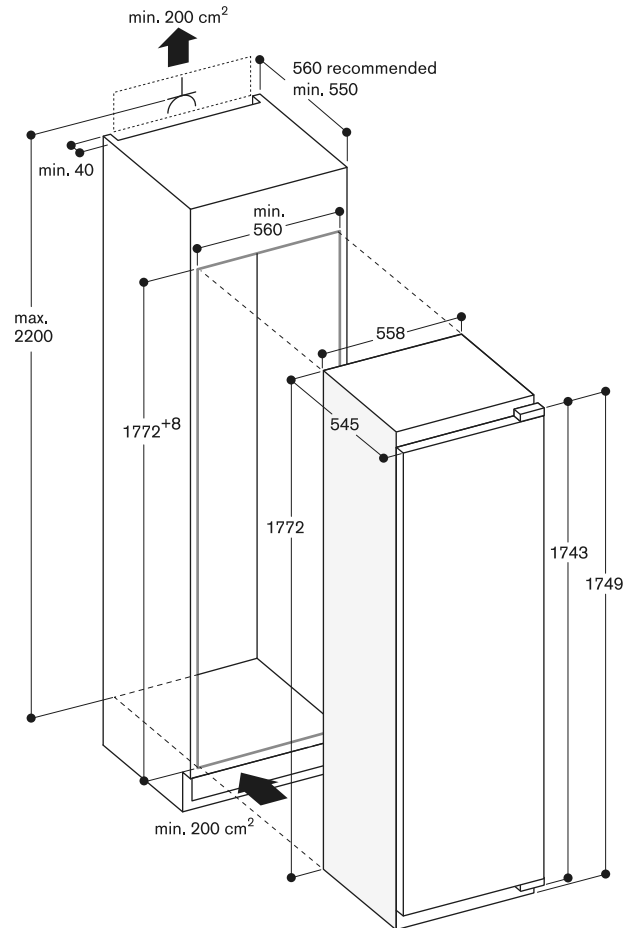
Planning notes

Flat hinge.
Door hinge right, reversible.
Door opening angle of 115°, fixable at 90°.
Max. door panel weight 22 kg.

Please read additional planning notes on page 305.

Connection

Total connected load 0.090 kW.
Connecting cable 2.3m with plug.



**RC 282 306**

With fresh cooling close to 0 °C

Fully integrated

Niche width 56 cm,

Niche height 177.5 cm

**Included in the price**

3 egg trays

1 wine and champagne rack

Special accessories

RA 430 100

Storage container with transparent lid, anthracite.

RA 260 000

Heavy duty hinge support for a maximum door weight of 27 kg.

Refrigerator 200 series**RC 282**

- 3 climate zones incl. 3 fresh cooling drawers close to 0 °C
- Height adjustable safety glass shelves
- Door racks with aluminium profiles
- Combines with freezer RF 282 (side-by-side integration)
- Cushioned door closing system allowing a soft and controlled door closure
- Total volume 289 litres

Handling

Electronic temperature control with digital display.

Touch keys.

Technical Features

Automatic defrosting with defrost water evaporation.

Cushioned door closing system from 20° door opening angle, integrated in door hinge.

Open-door and malfunction alarm.

Home network integration for digital services (Home Connect) wireless via WiFi.

The use of the Home Connect functionality depends on the Home Connect services, which are not available in every country. For further information please check: home-connect.com.

Please read additional information on Home Connect on page 345.

Cooling

Fast cooling.

Temperature adjustable from +3 °C to +8 °C.

6 safety glass shelves, height adjustable, of which 1 is extendable. 1 integrated shelf.

Wine and champagne rack for 4 bottles, can be completely folded.

1 large door rack with aluminium profile for bottles with flexible bottle holder.

4 door racks with aluminium profile.

Bright interior lighting (5800 K) with integrated glare-free LED side light element.

Volume 206 litres.

Fresh cooling close to 0 °C

1 fully extendable fresh cooling drawer close to 0 °C, illuminated.

Humidity can be adjusted manually. Ideal for fruit and vegetables.

2 fully extendable fresh cooling drawers close to 0 °C, illuminated.

Ideal for meat, fish and poultry.

Volume 83 litres.

Consumption data

Energy efficiency class D at a range of energy efficiency classes from A to G.

Energy consumption 120 kWh/year.

Noise level: 36 dB (A) re 1 pW.

Planning notes

Flat hinge.

Door hinge right, reversible.

Door opening angle of 115°, fixable at 90°.

Max. door panel weight 22 kg.

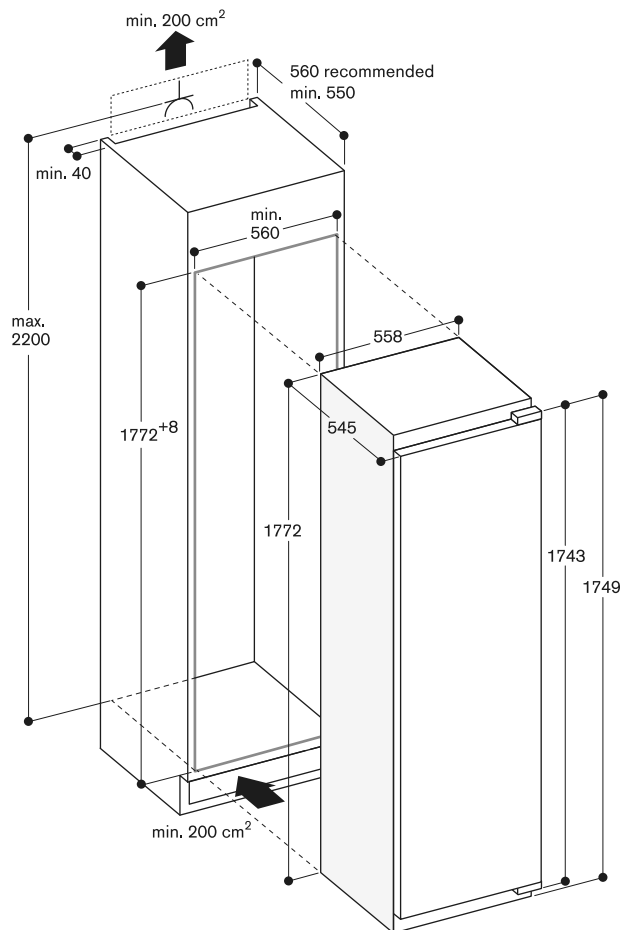
For a side-by-side installation every appliance must be planned in its own niche.

Please read additional planning notes on page 305.

Connection

Total connected load 0.090 kW.

Connecting cable 2.3 m with plug.





RF 282 305

Fully integrated
Niche width 56 cm,
Niche height 177.5 cm



Included in the price

2 ice packs
1 ice cube tray

Special accessories

RA 260 000
Heavy duty hinge support for a
maximum door weight of 27 kg.

Freezer 200 series

RF 282

- Flexible interior configuration: all drawers and safety glass shelves can be removed
- Combines with fridge RC282 (side-by-side integration)
- Combines with wine climate cabinet RW 282 (side-by-side integration)
- Cushioned door closing system allowing a soft and controlled door closure
- Total volume 212 litres

Handling

Electronic temperature control with temperature display.
Touch keys.

Technical Features

Dynamic cold air distribution.
Cushioned door closing system from 20° door opening angle, integrated in door hinge.
Open-door and malfunction alarm.

Freezing

No-Frost technology with fast freezing.
Temperature adjustable from -14 °C to -24 °C.
4-star freezer compartment.
Freezing capacity 13.8 kg/24 h.
Storage time after a malfunction 8 h.
5 freezer drawers, 2 of which extra large.
4 safety glass shelves between the freezer drawers.
2 safety glass shelves with transparent front.
All freezer drawers and safety glass shelves can be removed.
Volume 212 litres.

Consumption data

Energy efficiency class F at a range of energy efficiency classes from A to G.
Energy consumption 294 kWh/year.
Noise level: 36 dB (A) re 1 pW.

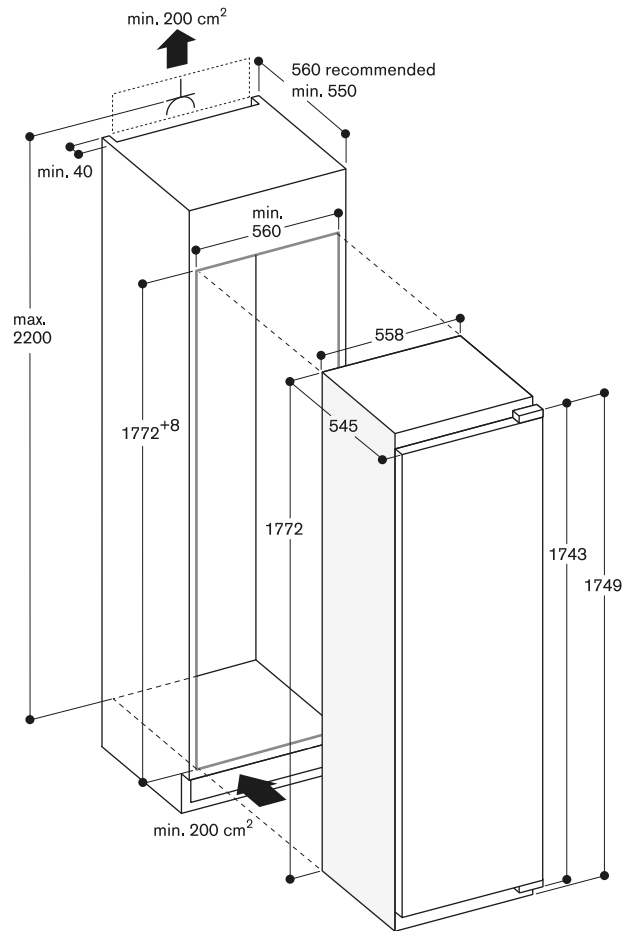
Planning notes

Flat hinge.
Door hinge left, reversible.
Door opening angle of 115°, fixable at 90°.
Max. door panel weight 22 kg.
For a side-by-side installation every appliance must be planned in its own niche.

Please read additional planning notes on page 305.

Connection

Total connected load 0.120 kW.
Connecting cable 2.3m with plug.



**RT 200 203**

Fully integrated, under-counter
Niche width 60 cm,
Niche height 82 cm

**Included in the price**

1 egg tray
1 ice cube tray

Special accessories**RA 430 100**

Storage container with transparent lid,
anthracite.

Fridge-freezer combination 200 series**RT 200**

- Cushioned door closing system allowing a soft and controlled door closure
- Total volume 123 litres

Technical Features

Automatic defrosting with defrost water evaporation.
Cushioned door closing system from 20° door opening angle, integrated in door hinge.

Cooling

2 safety glass shelves, 1 of which height adjustable.
1 pull-out drawer.
1 vegetable compartment.
1 large door rack for bottles.
2 door racks.
Bright interior LED lighting (6500 K).
Volume 108 litres.

Freezing

Storage temperature -18 °C and lower.
4-star freezer compartment.
Freezing capacity 3.4 kg/24 h.
Storage time after a malfunction 8 h.
Volume 15 litres.

Consumption data

Energy efficiency class F at a range of energy efficiency classes from A to G.
Energy consumption 180 kWh/year.
Noise level: 38 dB (A) re 1 pW.

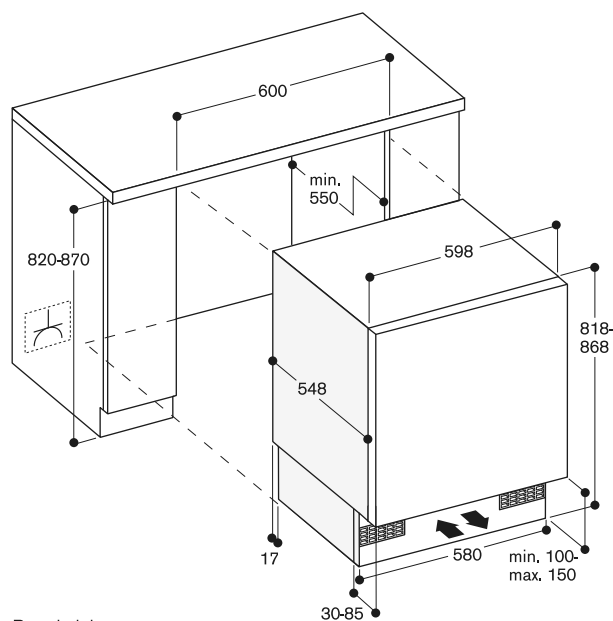
Planning notes

Flat hinge.
Door hinge right, reversible.
Door opening angle of 115°, fixable at 90°.
Max. door panel weight 19 kg.
Height-adjustable feet.
Plinth height for niche height of 820 mm: 100 – 170 mm.
Plinth height for niche height of 870 mm: 150 – 220 mm.
The enclosed ventilation grille must be used.
The mains socket needs to be planned outside the built-in niche.

Please read additional planning notes on page 305.

Connection

Total connected load 0.090 kW.
Connecting cable 2.3 m with plug.

**Base height:**

- 100 mm when niche height is 820 mm
- 150 mm when niche height is 870 mm



RC 200 203

Fully integrated, under-counter
Niche width 60 cm,
Niche height 82 cm



Included in the price

1 egg tray

Special accessories

RA 430 100

Storage container with transparent lid,
anthracite.

Refrigerator 200 series

RC 200

- Combines with freezer RF200 (Side-by-side)
- Cushioned door closing system allowing a soft and controlled door closure
- Total volume 137 litres

Technical Features

Automatic defrosting with defrost water evaporation.

Cushioned door closing system from 20° door opening angle, integrated in door hinge.

Cooling

3 safety glass shelves, 2 of which height adjustable.
1 pull-out drawer.
1 vegetable compartment.
1 large door rack for bottles.
2 door racks.
Bright interior LED lighting (6500 K).
Volume 137 litres.

Consumption data

Energy efficiency class F at a range of energy efficiency classes from A to G.
Energy consumption 114 kWh/year.
Noise level: 38 dB (A) re 1 pW.

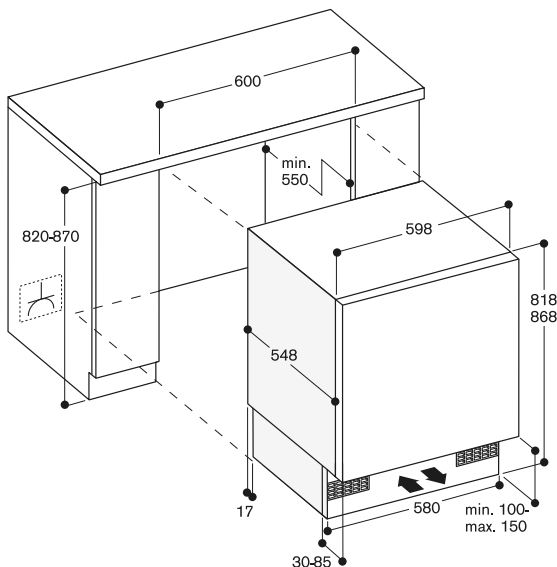
Planning notes

Flat hinge.
Door hinge right, reversible.
Door opening angle of 115°, fixable at 90°.
Max. door panel weight 19 kg.
Height-adjustable feet.
Plinth height for niche height of 820 mm: 100 – 170 mm.
Plinth height for niche height of 870 mm: 150 – 220 mm.
The enclosed ventilation grille must be used.
The mains socket needs to be planned outside the built-in niche.

Please read additional planning notes on page 305.

Connection

Total connected load 0.090 kW.
Connecting cable 2.3 m with plug.



Base height:
- 100 mm when niche height is 820 mm
- 150 mm when niche height is 870 mm



RF 200 203

Fully integrated, under-counter
Niche width 60 cm,
Niche height 82 cm



Included in the price

2 ice packs
1 ice cube tray

Freezer 200 series

RF 200

- Combines with cooler RC 200 (Side-by-side)
- Cushioned door closing system allowing a soft and controlled door closure
- Total volume 106 litres

Technical Features

Cushioned door closing system from 20° door opening angle, integrated in door hinge.
Malfunction signal.

Freezing

Fast freezing.
Temperature range adjustable.
4-star freezer compartment.
Freezing capacity 7.4 kg/24 h.
Storage time after a malfunction 10 h.
3 freezer drawers.
Volume 106 litres.

Consumption data

Energy efficiency class F at a range of energy efficiency classes from A to G.
Energy consumption 224 kWh/year.
Noise level: 38 dB (A) re 1 pW.

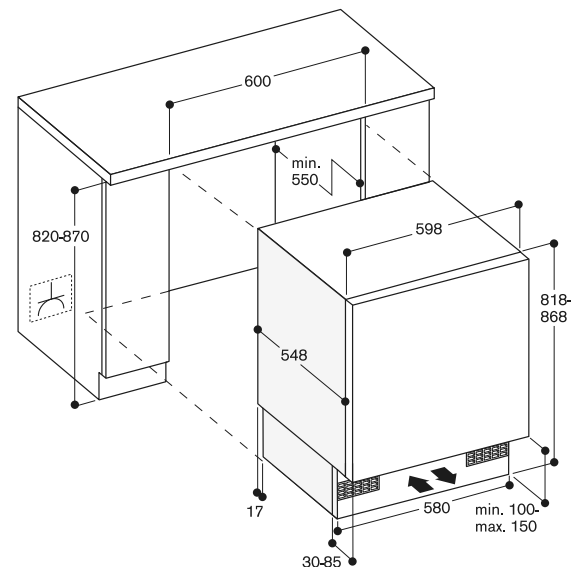
Planning notes

Flat hinge.
Door hinge right, reversible.
Door opening angle of 115°, fixable at 90°.
Max. door panel weight 19 kg.
Height-adjustable feet.
Plinth height for niche height of 820 mm: 100 – 170 mm.
Plinth height for niche height of 870 mm: 150 – 220 mm.
The enclosed ventilation grille must be used.
The mains socket needs to be planned outside the built-in niche.

Please read additional planning notes on page 305.

Connection

Total connected load 0.090 kW.
Connecting cable 2.3 m with plug.



Base height:
- 100 mm when niche height is 820 mm
- 150 mm when niche height is 870 mm

Location

The appliance should be installed in a dry, well ventilated room. The location of the appliance should not be subject to direct sunlight or near a source of heat, such as an oven, a cooker or a radiator, etc.

If installation next to a heat source is unavoidable, observe the following minimum distances from the heat source:

- 3 cm to electric or gas ovens,
- 3 cm to electric or gas cooker,
- 30 cm to an oil-fired or solid-fuel cooker.

Side-by-side installation

Vario 200 and 200 series cooling appliances can be installed side by side in the following combinations, in their own kitchen units:

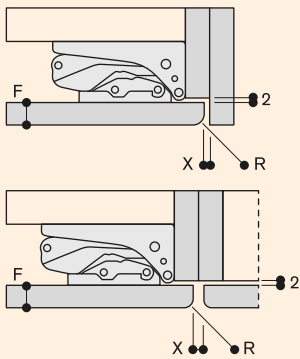
- RW + RW
- RC + RF (no other appliance next to RC model)
- RW + RF (no other appliance next to RW model, except RW)

For all other combinations, a minimum clearance of 150 mm must be observed between appliances.

Clearance to adjacent furniture depending on the furniture panel thickness and radii

The panel thickness of customer-specific doors can be between 19 mm and 22 mm.

Recommended gap dimensions for flat hinges



F	R	X
16-19	0-3	2,5
20	0-1	3
	2-3	2,5
21	0-1	3
	2-3	2,5
22	0	4
	1	3,5
	2-3	3

F = Furniture panel thickness
R = Radius
X = Gap dimension

The gap dimensions recommended in the table must be adhered in order to ensure that the appliance door does not collide with anything when it is opened, and to avoid causing damage to furniture panels.

measurements in mm

Door panels

Maximum permissible door panel weight

Recess height	Number of doors	Max. permissible door panel weight
178 cm, Vario 200, 200 series	1	22 kg
178 cm, Vario 200, 200 series	2	19 kg each
178 cm, Vario 200, 200 series + RA 260 000	1	27 kg
178 cm, Vario 200, 200 series + RA 260 000	2	24 kg each
82 cm, 200 series	1	19 kg
178 cm, 123 cm, 200 series wine	1	20 kg

If the maximum permissible weight is exceeded, this may damage or impair the function of the hinge.

Base area

Important!

Poor ventilation leads to damage of the appliance!
The appliance air inlet opening in the base area of the fitted kitchen must not be covered under any circumstances.
A cross-section of at least 200 cm² must be provided for the air inlet opening.

Dimensions of the special accessories – door panel frames.

The following diagrams show the basic dimensions of the special accessories door front frames for RW 282 and RW 222.

The dimensions of the doors shown are designed for the following basic specifications:

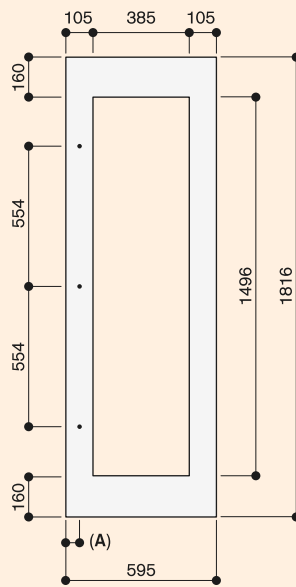
- Panel thickness: 19 mm
- Gap: 3 mm

These specifications provide you with a good starting point for a variety of kitchen designs.

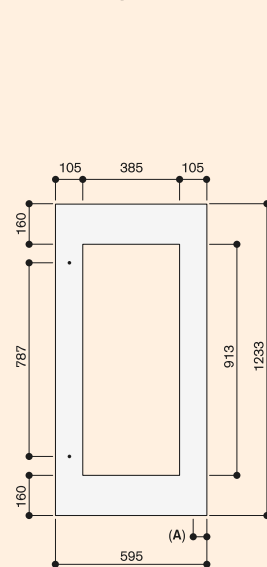
Important!

The following diagrams are not a substitute for detailed designs. Compliance with specified requirements relating to kitchen design is essential.

Recess height 178 cm



Recess height 122 cm

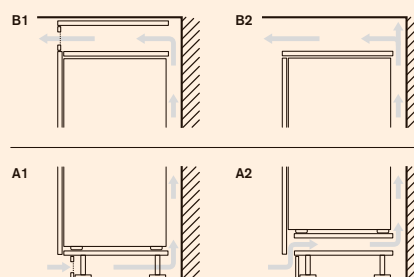
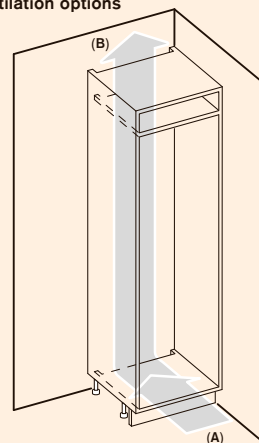


A: 52.5

The door panel thickness is 19 mm.
The maximum door panel dimensions are based on a clearance of 3 mm, based on a single recess.

measurements in mm

Ventilation options



A: Air inlet ≥ 200 cm²; ventilation options A1 or A2

B: Air outlet ≥ 200 cm²; ventilation options B1 or B2



RW 282 262

Fully integrated, with glass door
Niche width 56 cm,
Niche height 177.2 cm



Installation accessories

RA 221 311

Stainless steel door panel with handle
for RW 282, panel thickness 19 mm.

RA 425 110

Handle bar, stainless steel, long
With 3 mounts, length 1131 mm,
height 49 mm, drilling distance
between each mount 554 mm.

Special accessories

RA 050 220

Replacement activated charcoal air
filter.

Wine climate cabinet 200 series

RW 282

- 2 independently controllable climate zones
- Consistent temperatures with exact control from +5 °C to +20 °C
- Humidity control
- Extendable bottle trays in beech and aluminium
- Presentation light option
- Low-vibration operation
- Combines with freezer RF287 or RF282 (side-by-side integration)
- Number of standard wine bottles: 80

Handling

Electronic temperature control with digital display.

Touch keys.

Presentation light option in each climate zone, dimmable.

Interior LED lighting (3000 K) with automatic dimming with opening and closing of door.

Technical Features

Dynamic cold air distribution.

Automatic defrosting with defrost water evaporation.

Cushioned door closing system integrated in door hinge.

1 activated charcoal air filter for both climate zones.

UV-protection.

Open-door and malfunction alarm.

Child lock.

Features

Capacity 80 bottles

(based on 0.75 l standard bottles).

10 bottle trays, 8 of which are extendable.

Storage of magnum bottles possible.

LED lighting.

Total volume 254 litres.

Consumption data

Energy efficiency class G at a range of

energy efficiency classes from A to G.

Energy consumption 176 kWh/year.

Noise level 32 dB (A) re 1 pW.

Planning notes

Flat hinge.

Door hinge right, reversible.

Height-adjustable feet.

Door opening angle of 115°, fixable at 90°.

Max. door panel weight 20 kg.

Door panel thickness

min. 16 mm / max. 22 mm.

The mains socket needs to be planned outside the built-in niche.

For a side-by-side installation every appliance must be planned in its own niche.

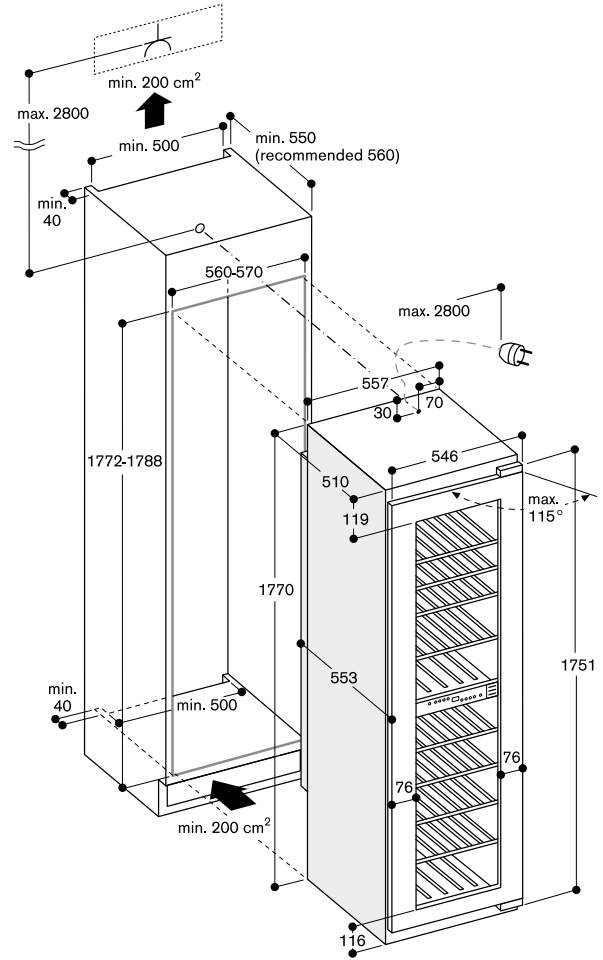
The wine climate cabinet can be combined with a second wine climate cabinet or a freezer (RF287 or RF282) only. If combining the wine climate cabinet with other cooling appliances (RC, RT, RB), a clearance of min. 150 mm is to be kept between the appliances to avoid condensation. No transport/operation above 1500 m sea level.

Please read additional planning notes on page 284 – 291.

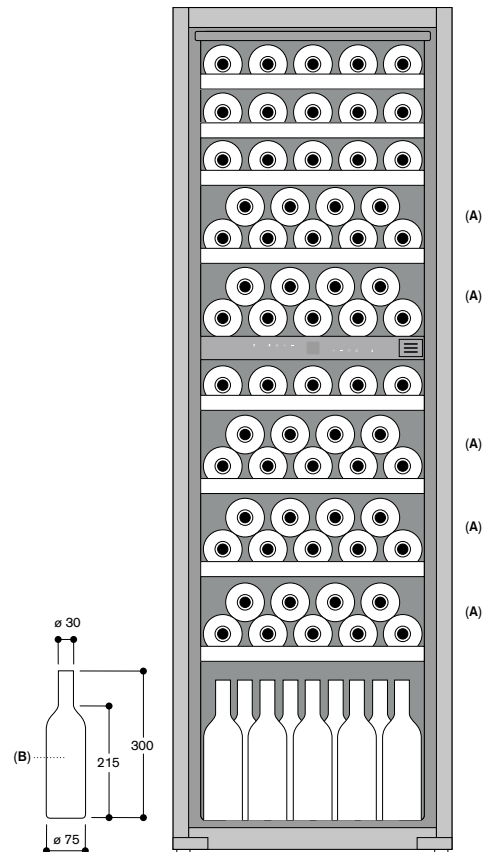
Connection

Total connected load 0.130 kW.

Connecting cable 2.8 m with plug.



Bottle storage



A: Suitable area for storage of magnum bottles in standard tray configuration
B: 0.75 litres

Measurements in mm

**RW 222 262**

Fully integrated, with glass door
Niche width 56 cm,
Niche height 122 cm

**Installation accessories****RA 221 211**

Stainless steel door panel with handle
For RW 222, panel thickness 19 mm.

RA 425 910

Handle bar, stainless steel, short
For RB/RY 492 and RW 222,
with 2 mounts, length 810 mm,
height 49 mm, drilling distance
between the mounts 787 mm.

Special accessories**RA 050 220**

Replacement activated charcoal air
filter.

Wine climate cabinet 200 series**RW 222**

- 2 independently controllable climate zones
- Consistent temperatures with exact control from +5 °C to +20 °C
- Humidity control
- Extendable bottle trays in beech and aluminium
- Presentation light option
- Low-vibration operation
- Number of standard wine bottles: 48

Handling

Electronic temperature control with digital display.

Touch keys.

Presentation light option in each climate zone, dimmable.

Interior LED lighting (3000 K) with automatic dimming with opening and closing of door.

Technical Features

Dynamic cold air distribution.

Automatic defrosting with defrost water evaporation.

Cushioned door closing system integrated in door hinge.

1 activated charcoal air filter for both climate zones.

UV-protection.

Open-door and malfunction alarm.
Child lock.

Features

Capacity 48 bottles
(based on 0.75 l standard bottles).

6 bottle trays, 4 of which are extendable.

Storage of magnum bottles possible.
LED lighting.

Total volume 158 litres.

Consumption data

Energy efficiency class G at a range of energy efficiency classes from A to G.

Energy consumption 158 kWh/year.

Noise level 32 dB (A) re 1 pW.

Planning notes

Flat hinge.

Door hinge right, reversible.

Height-adjustable feet.

Door opening angle of 115°, fixable at 90°.

Max. door panel weight 20 kg.

Door panel thickness

min. 16 mm/max. 22 mm.

The mains socket needs to be planned outside the built-in niche.

For a side-by-side installation every appliance must be planned in its own niche.

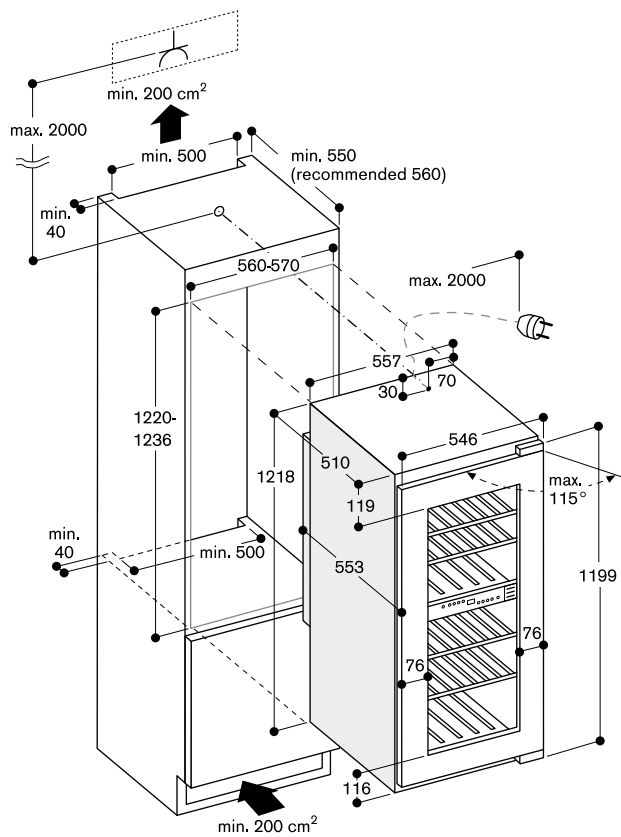
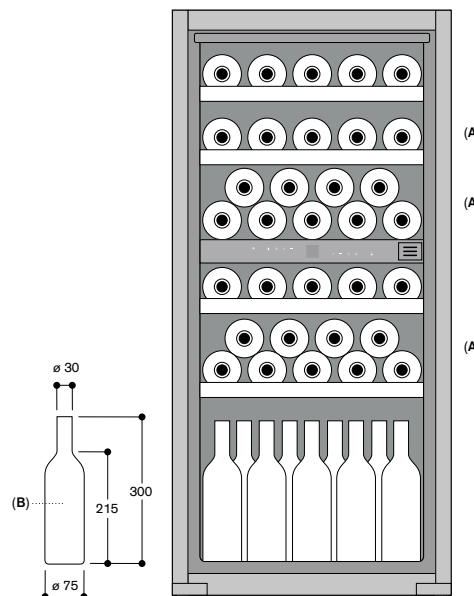
When combining the wine climate cabinet with cooling appliances other than a second wine climate cabinet, a clearance of min. 150 mm is to be kept between the appliances to avoid condensation.

No transport/operation above 1500 m sea level.

Connection

Total connected load 0.130 kW.

Connecting cable 2.0 m with plug.

**Bottle storage**

A: Suitable area for storage of magnum bottles in standard tray configuration
B: 0.75 litres

Measurements in mm



RW 404 262

Under-counter, stainless steel-framed glass door
Niche width 60 cm,
Niche height 82 cm



Special accessories

RA 050 220

Replacement activated charcoal air filter.

RA 097 600

Accessory for side-by-side installation of two under-counter wine climate cabinets

Wine climate cabinet 200 series

RW 404

- 2 independently controllable climate zones
- Consistent temperatures with exact control from +5 °C to +20 °C
- Humidity control
- Extendable bottle trays in beech and aluminium
- LED lighting
- Cushioned door closing system allowing a soft and controlled door closure
- Lockable door
- Number of standard wine bottles: 34
- Side-by-side installation possible with special accessory

Handling

Electronic temperature control with digital display.
Touch keys.
Presentation light option in each climate zone, dimmable.
Interior LED lighting (3000 K) with automatic dimming with opening and closing of door.

Technical Features

Dynamic cold air distribution.
Automatic defrosting with defrost water evaporation.
Cushioned door closing system integrated in door hinge.
1 activated charcoal air filter for both climate zones.
UV-protection.
Open-door and malfunction alarm.
Dust filter, dishwasher-safe.

Features

Capacity 34 bottles (based on 0.75 l standard bottles).
5 bottle trays, 3 of which are extendable.
Storage of magnum bottles possible.
LED lighting.
Total volume 94 litres.

Consumption data

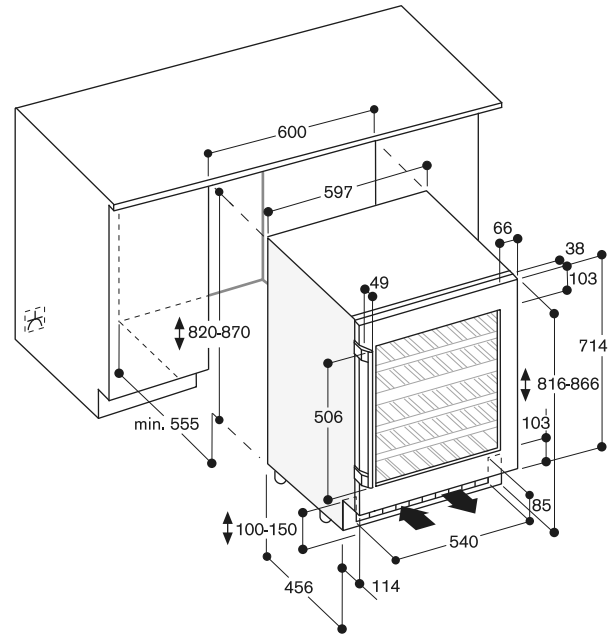
Energy efficiency class G at a range of energy efficiency classes from A to G.
Energy consumption 146 kWh/year.
Noise level 35 dB (A) re 1 pW.

Planning notes

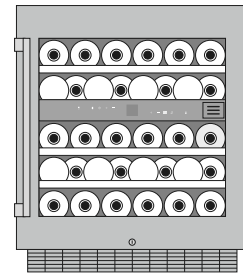
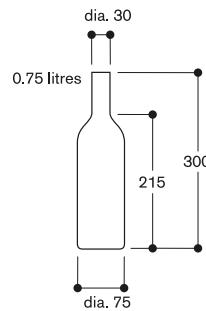
Flat hinge.
Door hinge right, reversible.
Height-adjustable feet.
Door opening angle fixable at 95°.
For integration next to a side wall a clearance of 150 mm hinge side is necessary.
The mains socket needs to be planned outside the built-in niche.
No transport/operation above 1500 m sea level.

Connection

Total connected load 0.130 kW.
Connecting cable 2.0 m with plug.



Bottle storage



Accessories and special accessories for cooling appliances

RA 050 220

Replacement activated charcoal
air filter.



RA 430 100

Storage container with transparent lid,
anthracite



RA 493 060

Presenter in oak wood and aluminium
in anthracite for single bottle display
1 piece.



RA 430 000

Screw hole cover set. 8 pieces.



RA 448 220

Ice storage container, small.
For installation with a door opening
angle of 90° the delivered ice storage
container must be exchanged for the
small ice storage container. This must
be done prior to fixing the door.



RA 492 160

Removable shelf with oak wood frame
Suitable for decanters and open
bottles.
For 45.7 cm wide appliances.



RA 492 660

Removable shelf with oak wood frame
Suitable for decanters and open
bottles.
For 61 cm wide appliances.



RA 498 140

Bottle support in oak wood for
convenient storage of bottles on the
division plate.
For 45.7 cm wide appliances.



RA 498 640

Bottle support in oak wood for
convenient storage of bottles on the
division plate.
For 61 cm wide appliances.



RA 238 030

Solid maple bottle support with
magnetic connector, oiled.



RA 421 110

Stainless steel door panel with handle
For 45.7 cm wide appliances, panel thickness 19 mm.

**RA 428 111**

Stainless steel door panel frame, handleless
For 45.7 cm wide appliances, panel thickness 19 mm.

**RA 428 110**

Stainless steel door panel, handleless
For 45.7 cm wide appliances, panel thickness 19 mm.

**RA 421 610**

Stainless steel door panel with handle
For 61 cm wide appliances, panel thickness 19 mm.

**RA 421 111**

Stainless steel door panel frame with handle
For 45.7 cm wide appliances, left-hinged, panel thickness 19 mm.

**RA 428 610**

Stainless steel door panel, handleless
For 61 cm wide appliances, panel thickness 19 mm.

**RA 421 112**

Stainless steel door panel frame with handle
For 45.7 cm wide appliances, right-hinged, panel thickness 19 mm.

**RA 421 611**

Stainless steel door panel frame with handle
For 61 cm wide appliances, left-hinged, panel thickness 19 mm.



Accessories and special accessories for cooling appliances

RA 421 612

Stainless steel door panel frame with handle
For 61 cm wide appliances, right-hinged, panel thickness 19 mm.



RA 428 611

Stainless steel door panel frame, handleless
For 61 cm wide appliances, panel thickness 19 mm.



RA 421 710

Stainless steel door panel with handle
For 76.2 cm wide appliances, panel thickness 19 mm.



RA 428 710

Stainless steel door panel, handleless
For 76.2 cm wide appliances, panel thickness 19 mm.



RA 421 911

Stainless steel door panel with handle
For 91.4 cm wide appliances, panel thickness 19 mm.



RA 428 911

Stainless steel door panel, handleless
For 91.4 cm wide appliances, panel thickness 19 mm.



RA 421 712

Stainless steel door panel with handle
For RB 472, panel thickness 19 mm.



RA 428 712

Stainless steel door panels, handleless
For RB 472, panel thickness 19 mm.



RA 421 910

Stainless steel door panels with handles
For RB 492, panel thickness 19 mm.

**RA 428 910**

Stainless steel door panels, handleless
For RB 492, panel thickness 19 mm.

**RA 421 912**

Stainless steel door panels with handles
For RY 492, panel thickness 19 mm.

**RA 428 912**

Stainless steel door panels, handleless
For RY 492, panel thickness 19 mm.

**RA 422 610**

Stainless steel door panel with handle
For RF 463, panel thickness 19 mm.

**RA 428 810**

Stainless steel door panel, handleless
For RF 463, panel thickness 19 mm.

**RA 221 311**

Stainless steel door panel with handle
For RW 282, panel thickness 19 mm.

**RA 221 211**

Stainless steel door panel with handle
For RW 222, panel thickness 19 mm.



Accessories and special accessories for cooling appliances

RA 425 110

Handle bar, stainless steel, long
With 3 mounts, length 1.131 mm,
height 49 mm, drilling distance
between each mount 554 mm.



RA 425 710

Handle bar, stainless steel, short.
For RB 472 with 2 mounts,
length 658 mm, height 49 mm,
drilling distance between the mounts
637 mm.



RA 425 910

Handle bar, stainless steel, short
For RB/RV 492, with 2 mounts,
length 810 mm, height 49 mm,
drilling distance between the mounts
787 mm.



RA 450 012

Activated charcoal filter for water filter
system.
For RB, RV, RF
For RF 4*1 **4 and RF 463 **4/5
from FD 9007



RA 460 000

Accessory for side-by-side installation.
Not required if appliances are installed
more than 160mm apart from each other.
Included in delivery for RF and RW.



RA 460 013

Additional side heating element 230 V.
Required if appliances are installed
with a distance greater than 16 mm and
less than 160 mm next to each other
and for all built-in situations in a very
humid environment. Not required if
appliances are installed more than
160 mm apart from each other.



RA 460 020

Connecting element for vertically split
appliance fronts (for a flush front)



RA 460 030

Connecting element for vertically split
fronts (for fridge-freezer combination)



RA 464 111

Ventilation grille stainless steel
For 45.7 cm wide appliances.



RA 464 113

Ventilation grille stainless steel
For RF 411 **4 from FD 9007 and
RF 411 **5.



RA 464 611

Ventilation grille stainless steel
For 61 cm wide appliances.



RA 464 616

Ventilation grille stainless steel
For RF 461 **4 from FD 9007 and
RF 461 **5.



RA 464 617

Ventilation grille stainless steel
For RF 463 **4 from FD 9007 and
RF 463 **6.



RA 464 618

Ventilation grille stainless steel
For RF 463 **5 from FD 9007 and
RF 463 **7.



RA 464 711

Ventilation grille stainless steel
For 76.2 cm wide appliances.



RA 464 714

Ventilation grille stainless steel
For RF 471 **4 from FD 9007 and
RF 471 **5



RA 464 713

Ventilation grille stainless steel
For RB 472.



RA 464 913

Ventilation grille stainless steel
For RB/RV 492.



RA 464 911

Ventilation grille stainless steel
For 91.4 cm wide appliances.



RA 420 010

Door lock for RW 414 and RW 466



RA 097 600

Accessory for side-by-side installation
of two under-counter wine climate
cabinets



RA 260 000*

Heavy duty hinge support
For RC/RF/RT 28* maximum door
weight 27 kg.
For RB 28* maximum door weight 24 kg.
RB 28* requires 2 x RA 260 000.
*included with all units that have door
opening via voice assist



RA 491 161

Fully extendable bottle trays with hidden telescopic rails in oak wood and solid aluminium in anthracite
For 45.7 cm wide appliances.

**RA 491 661**

Fully extendable bottle trays with hidden telescopic rails in oak wood and solid aluminium in anthracite
For 61 cm wide appliances.

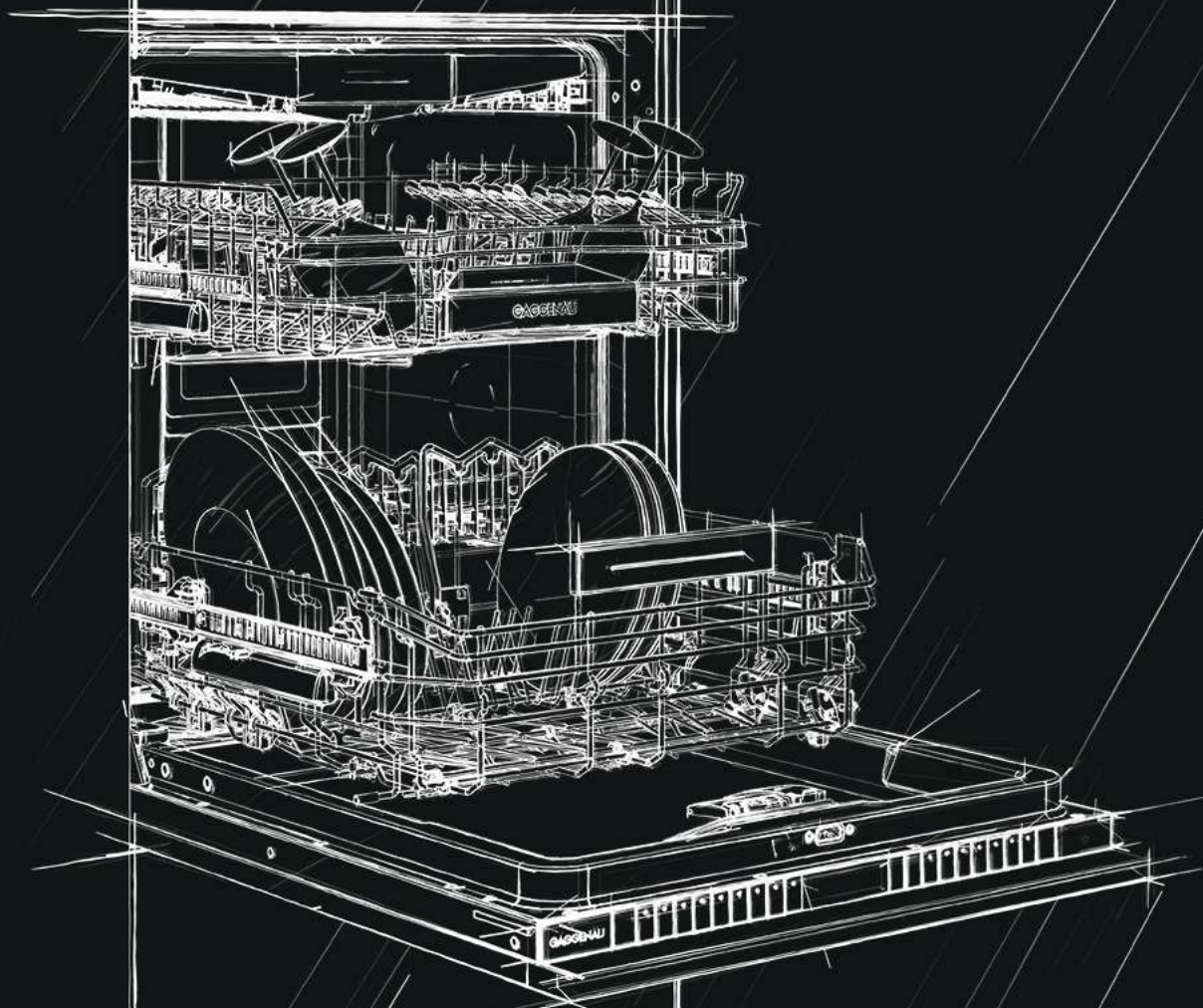
**RA 423 140**

Side trims, long.

**RA 423 340**

Side trims, 2 pieces, for RY and RB.





The dishwashers | laundry

Dishwashers 400 series	318
Dishwashers 200 series	322
Planning notes	330
Accessories special accessories	338
Washing machine	340
Tumble dryer	341



DF 481 100

Fully integrated
Height 86.5 cm

DF 480 100

Fully integrated
Height 81.5 cm



Included in the price

- 1 baking tray spray head
- 2 GN container inserts
- 1 holder for long-stemmed glasses
- 1 stainless steel trim kit

Installation accessories

DA 021 000

Hinge for all fully integrated
dishwashers

GZ 010 011

Extension for water inlet and outlet
(2 m long)

Special accessories

DA 041 160 (included)

Cutlery drawer with smooth running rails
3rd loading level above the upper basket.
For large pieces of cutlery, cooking
utensils and espresso cups.
13 place setting capacity with all 3 levels.

DA 042 030

Silvercare cartridge for all dishwashers

DA 043 000

Holder for long-stemmed glasses
Offers safe positioning for up to four
long-stemmed glasses during the
dishwashing process and ensures an
optimal cleaning result.

For positioning in the lower basket.

DA 045 061

3rd basket
With smooth running rails
For 86.5 cm high dishwashers
3rd loading level above the upper basket.
For small bowls, cups and cooking
utensils.
Movable knife shelf.

Dishwasher 400 series

DF 481/DF 480

- Optimal protection for sensitive glassware by low temperature drying with zeolite, elaborated basket design and intelligent water softening
- 8 programmes with aqua sensor and 4 options, such as Power for cleaning and drying dishes from 57 minutes and Intensive for particularly thorough cleaning in the lower basket
- Flexible basket system with smooth running rails on all levels and cushioned closing of the upper and lower basket
- Perfectly illuminated interior
- Push-to-open function for perfect integration into handleless furniture fronts
- Remaining time projection onto the kitchen floor
- Very quiet: 42 dB

Handling

TFT display indicating remaining or end time, refill for salt and rinsing agent, inflow of water.
Touch key operation.

Flexible cycle time reduction, even during an active cycle.

Personalisation function for storing individual combinations of programmes.
Information key with use indicators.

Time delay up to 24 hours.

Visual and acoustic end of programme indicator.

Remaining time projection.

Technical Features

Perfectly illuminated interior.

Glass protection with zeolite.

Aqua sensor.

Load sensor.

Detergent recognition.

Regeneration electronics.

Heat exchanger.

Continuous flow heater.

Triple filter system.

Soft lock.

Aqua stop.

Digital Features

Downloadable programmes, such as Intelligent for adapting a cycle based on user feedback.*

Programme assistant.

Temporary noise reduction.

Home network integration for digital services (Home Connect) wireless via WiFi.

The use of the Home Connect functionality depends on the Home Connect services, which are not available in every country. For further information please check: home-connect.com.

Please read additional information on Home Connect on page 345.

Programmes

8 programmes:

Auto 35 °C - 45 °C.

Auto 45 °C - 65 °C.

Auto 65 °C - 75 °C.

Intensive 70 °C.

Eco 50 °C.

Night programme.

Quick wash 45 °C (35 min.).

Personalisation function
(default setting: Pre-rinse).

4 options:

Intensive.

Power.

Half Load.

Hygiene.

Machine Care.

Features

Flexible basket system with smooth running rails on all levels and cushioned closing of the upper and lower basket.

Upper basket:

Over extension.

Optional extra cleaning area by activating additional spray nozzles.

Rackmatic with 3 levels, adjustable in height up to 5 cm.

6 folding spines.

4 folding racks for optimal protection of glass.

Lower basket:

8 folding spines.

2 folding racks for optimal protection of glass.

Dividable glass support.

Cutlery basket.

Maximum dish sizes

(upper/lower basket)

for 86.5 cm high dishwashers:

29/28, 26.5/30.5 or 24/34 cm respectively.

Maximum dish sizes

(upper/lower basket)

for 81.5 cm high dishwashers:

27/25, 24.5/27.5 or 22/31 cm respectively.

12 place setting capacity.

Maximum glass loading capacity

23 wine glasses.

Consumption data

Energy efficiency class C at a range of energy efficiency classes from A to G.

From 9.5 l water.

From 0.725 kWh.

Noise level 42 dB (re 1 pW).

Planning notes

Height-adjustable feet.

Appliance plinth recess 100 mm (see drawing).

To display the remaining time projection, a minimum plinth protrusion is required (40 mm + thickness of the furniture front).

The maximum plinth height must be reduced by 30 mm to provide an optimal display of the remaining time projection.

Rear feet adjustable at front.

Door weight up to 10/8.5 kg.

Door panel dimension dependent on plinth height of kitchen furniture.

Installation and usage also with furniture handle possible. The push-to-open function remains active.

Please read additional planning notes on page 330 – 337.

Connection

Total connected load 2000-2400 W.

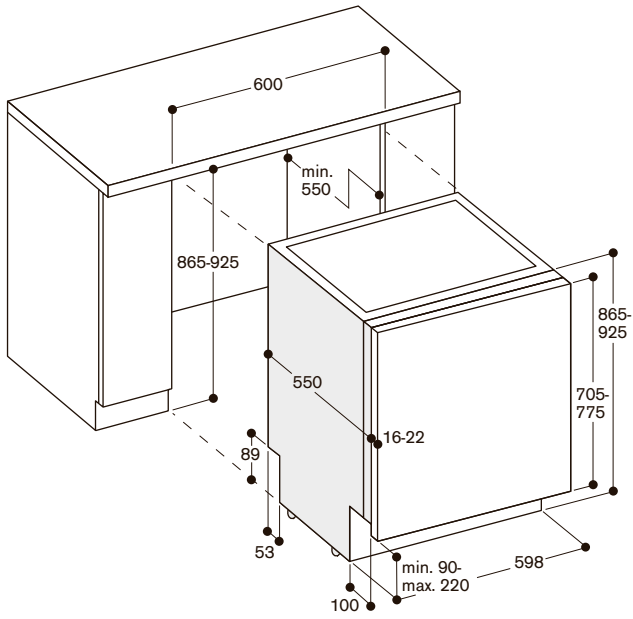
Connecting cable pluggable.

Water connection with 3/4" screw joint.

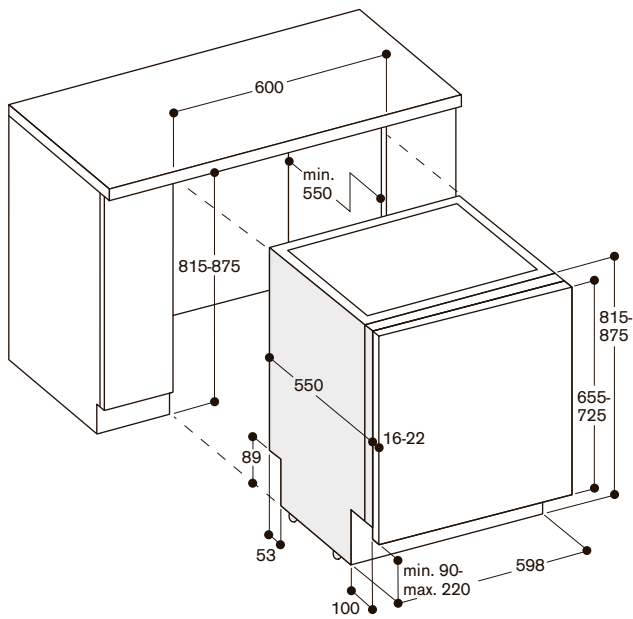
Connection to hot or cold water possible.

* Availability depending on country.

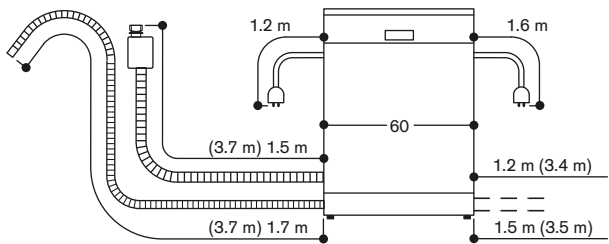
86.5 cm high dishwasher



81.5 cm high dishwasher



Connection dimensions for a 60 cm wide dishwasher



() values with extension kit



DF 481 100F

Fully integrated
Height 86.5 cm
With flexible hinge

DF 480 100F

Fully integrated
Height 81.5 cm
With flexible hinge



Included in the price

- 1 baking tray spray head
- 2 GN container inserts
- 1 holder for long-stemmed glasses
- 1 stainless steel trim kit

Installation accessories

GZ 010 011

Extension for water inlet and outlet
(2 m long)

Special accessories

DA 041 160 (included)

Cutlery drawer with smooth running rails
3rd loading level above the upper basket.
For large pieces of cutlery, cooking utensils and espresso cups.

13 place setting capacity with all 3 levels.

DA 042 030

Silvercare cartridge for all dishwashers

DA 043 000

Holder for long-stemmed glasses
Offers safe positioning for up to four long-stemmed glasses during the dishwashing process and ensures an optimal cleaning result.

For positioning in the lower basket.

DA 045 061

3rd basket
With smooth running rails
For 86.5 cm high dishwashers
3rd loading level above the upper basket.
For small bowls, cups and cooking utensils.
Movable knife shelf.

Dishwasher 400 series

DF 481/DF 480

- Optimal protection for sensitive glassware by low temperature drying with zeolite, elaborated basket design and intelligent water softening
- 8 programmes with aqua sensor and 4 options, such as Power for cleaning and drying dishes from 57 minutes and Intensive for particularly thorough cleaning in the lower basket
- Flexible basket system with smooth running rails on all levels and cushioned closing of the upper and lower basket
- Perfectly illuminated interior
- Push-to-open function for perfect integration into handleless furniture fronts
- Flexible hinge for reduced plinth height as of 50 mm
- Lateral Info-Light
- Very quiet: 42 dB

Handling

TFT display indicating remaining or end time, refill for salt and rinsing agent, inflow of water.

Touch key operation.

Flexible cycle time reduction, even during an active cycle.

Personalisation function for storing individual combinations of programmes.

Information key with use indicators.

Time delay up to 24 hours.

Visual and acoustic end of programme indicator.

Lateral Info-Light.

Technical Features

Perfectly illuminated interior.

Glass protection with zeolite.

Aqua sensor.

Load sensor.

Detergent recognition.

Regeneration electronics.

Heat exchanger.

Continuous flow heater.

Triple filter system.

Soft lock.

Aqua stop.

Digital Features

Downloadable programmes, such as Intelligent for adapting a cycle based on user feedback.*

Programme assistant.

Temporary noise reduction.

Home network integration for digital services (Home Connect) wireless via WiFi.

The use of the Home Connect functionality depends on the Home Connect services, which are not available in every country. For further information please check: home-connect.com.

Please read additional information on Home Connect on page 345.

Programmes

8 programmes:

Auto 35 °C - 45 °C.

Auto 45 °C - 65 °C.

Auto 65 °C - 75 °C.

Intensive 70 °C.

Eco 50 °C.

Night programme.

Quick wash 45 °C (35 min.).

Personalisation function (default setting: Pre-rinse).

4 options:

Intensive.

Power.

Half Load.

Hygiene.

Machine Care.

Features

Flexible basket system with smooth running rails on all levels and cushioned closing of the upper and lower basket.

Upper basket:

Over extension.

Optional extra cleaning area by activating additional spray nozzles.

Rackmatic with 3 levels, adjustable in height up to 5 cm.

6 folding spines.

4 folding racks for optimal protection of glass.

Lower basket:

8 folding spines.

2 folding racks for optimal protection of glass.

Dividable glass support.

Cutlery basket.

Maximum dish sizes

(upper/lower basket)

for 86.5 cm high dishwashers:

29/28, 26.5/30.5 or 24/34 cm respectively.

Maximum dish sizes

(upper/lower basket)

for 81.5 cm high dishwashers:

27/25, 24.5/27.5 or 22/31 cm respectively.

12 place setting capacity.

Maximum glass loading capacity

23 wine glasses.

Consumption data

Energy efficiency class C at a range of energy efficiency classes from A to G.

From 9.5 l water.

From 0.725 kWh.

Noise level 42 dB (re 1 pW).

Planning notes

Height-adjustable feet.

Appliance plinth recess 100 mm

(see drawing).

Rear feet adjustable at front.

Door weight up to 11 kg.

Door panel dimension dependent on plinth height of kitchen furniture.

Installation and usage also with furniture handle possible. The

push-to-open function remains active.

Please read additional planning notes, also concerning flexible hinge, on page 330 – 337.

Connection

Total connected load 2000-2400 W.

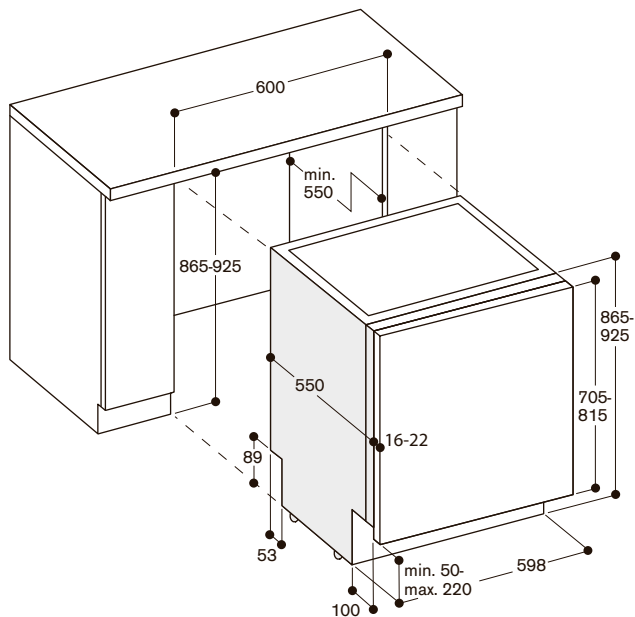
Connecting cable pluggable.

Water connection with 3/4" screw joint.

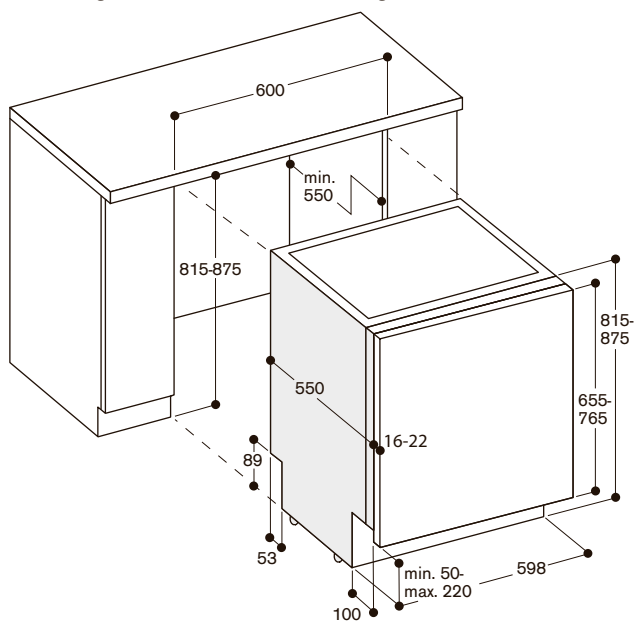
Connection to hot or cold water possible.

* Availability depending on country.

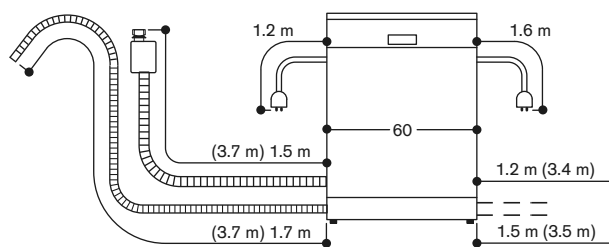
86.5 cm high dishwasher with flexible hinge



81.5 cm high dishwasher with flexible hinge



Connection dimensions for a 60 cm wide dishwasher



() values with extension kit



DF 271 101

Fully integrated
Height 86.5 cm

DF 270 101

Fully integrated
Height 81.5 cm



Included in the price

- 1 baking tray spray head
- 1 stainless steel trim kit

Installation accessories

DA 021 000

Hinge for all fully integrated dishwashers

GZ 010 011

Extension for water inlet and outlet (2 m long)

Special accessories

DA 041 160 (included)

Cutlery drawer with smooth running rails
3rd loading level above the upper basket.
For large pieces of cutlery, cooking utensils and espresso cups.
13 place setting capacity with all 3 levels.

DA 042 030

Silvercare cartridge for all dishwashers

DA 043 000

Holder for long-stemmed glasses
Offers safe positioning for up to four long-stemmed glasses during the dishwashing process and ensures an optimal cleaning result.

For positioning in the lower basket.

DA 045 061

3rd basket
With smooth running rails
For 86.5 cm high dishwashers
3rd loading level above the upper basket.
For small bowls, cups and cooking utensils.
Movable knife shelf.

Dishwasher 200 series

DF 271/DF 270

- Optimal protection for sensitive glassware by low temperature drying with zeolite, elaborated basket design and intelligent water softening
- 6 programmes with aqua sensor and 3 options, such as Power for cleaning and drying dishes from 57 minutes and Intensive for particularly thorough cleaning in the lower basket
- Flexible basket system with smooth running rails on all levels
- Bright interior lighting
- Push-to-open function for perfect integration into handleless furniture fronts
- Remaining time projection onto the kitchen floor
- Very quiet: 43 dB

Handling

TFT display indicating remaining or end time, refill for salt and rinsing agent, inflow of water.
Touch key operation.
Flexible cycle time reduction, even during an active cycle.
Personalisation function for storing individual combinations of programmes.
Information key with use indicators.
Time delay up to 24 hours.
Visual and acoustic end of programme indicator.
Remaining time projection.

Technical Features

Bright interior lighting.
Glass protection with zeolite.
Aqua sensor.
Load sensor.
Detergent recognition.
Regeneration electronics.
Heat exchanger.
Continuous flow heater.
Triple filter system.
Soft lock.
Aqua stop.

Digital Features

Downloadable programmes, such as Intelligent for adapting a cycle based on user feedback.*
Programme assistant.
Temporary noise reduction.
Drying assistant for optional door opening at the end of the programme.

Home network integration for digital services (Home Connect) wireless via WiFi.

The use of the Home Connect functionality depends on the Home Connect services, which are not available in every country. For further information please check: home-connect.com.

Please read additional information on Home Connect on page 345.

Programmes

6 programmes:
Auto 35 °C - 45 °C.
Auto 45 °C - 65 °C.
Auto 65 °C - 75 °C.
Eco 50 °C.
Quick wash 45 °C (35 min.).
Personalisation function (default setting: Pre-rinse).

3 options:
Intensive.
Power.
Half Load.

Machine Care.

Features

Flexible basket system with smooth running rails on all levels.

Upper basket:

Over extension.
Optional extra cleaning area by activating additional spray nozzles.
Rackmatic with 3 levels, adjustable in height up to 5 cm.
6 folding spines.
4 folding racks for optimal protection of glass.

Lower basket:

8 folding spines.
2 folding racks for optimal protection of glass.
Dividable glass support.
Cutlery basket.

Maximum dish sizes

(upper/lower basket)
for 86.5 cm high dishwashers:
29/28, 26.5/30.5 or 24/34 cm respectively.

Maximum dish sizes

(upper/lower basket)
for 81.5 cm high dishwashers:
27/25, 24.5/27.5 or 22/31 cm respectively.

12 place setting capacity.

Maximum glass loading capacity
23 wine glasses.

Consumption data

Energy efficiency class B at a range of energy efficiency classes from A to G.
From 9.5 l water.
From 0.725 kWh.
Noise level 43 dB (re 1 pW).

Planning notes

Height-adjustable feet.
Appliance plinth recess 100 mm (see drawing).
To display the remaining time projection, a minimum plinth protrusion is required (40 mm + thickness of the furniture front).
The maximum plinth height must be reduced by 30 mm to provide an optimal display of the remaining time projection.
Rear feet adjustable at front.
Door weight up to 10/8.5 kg.
Door panel dimension dependent on plinth height of kitchen furniture.
Installation and usage also with furniture handle possible. The push-to-open function remains active.

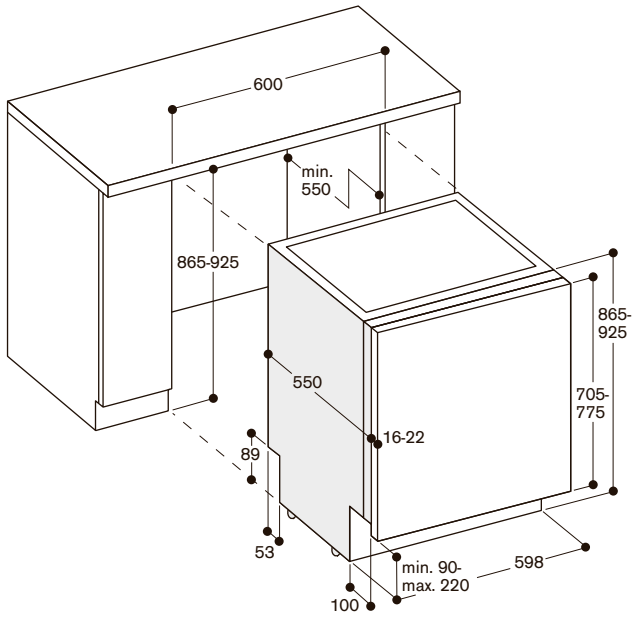
Please read additional planning notes on page 330 – 337.

Connection

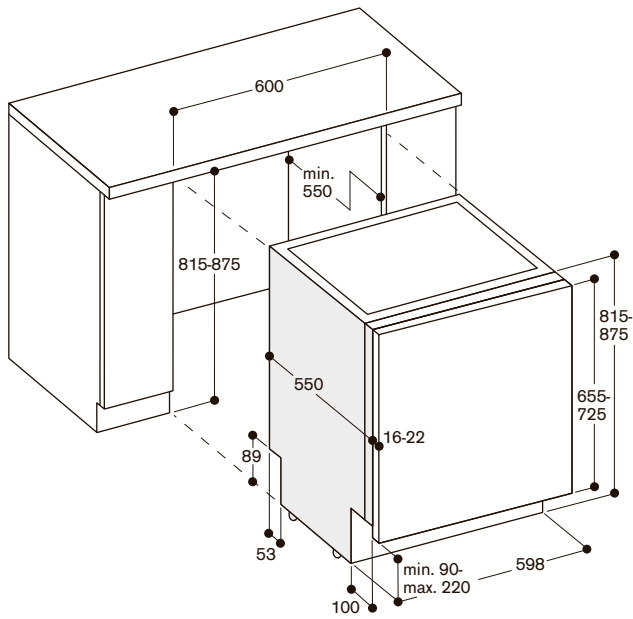
Total connected load 2000-2400 W.
Connecting cable pluggable.
Water connection with 3/4" screw joint.
Connection to hot or cold water possible.

* Availability depending on country.

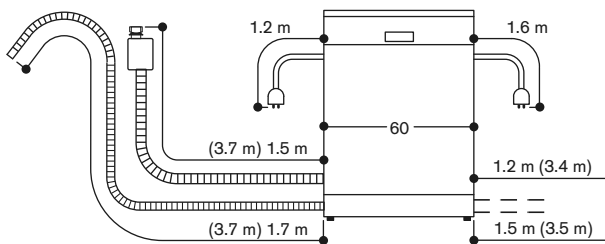
86.5 cm high dishwasher



81.5 cm high dishwasher



Connection dimensions for a 60 cm wide dishwasher



() values with extension kit



DF 271 101F

Fully integrated
Height 86.5 cm
With flexible hinge

DF 270 101F

Fully integrated
Height 81.5 cm
With flexible hinge



Included in the price

- 1 baking tray spray head
- 1 stainless steel trim kit

Installation accessories

GZ 010 011

Extension for water inlet and outlet
(2 m long)

Special accessories

DA 041 160 (included)

Cutlery drawer with smooth running rails
3rd loading level above the upper basket.
For large pieces of cutlery, cooking utensils and espresso cups.
13 place setting capacity with all 3 levels.

DA 042 030

Silvercare cartridge for all dishwashers

DA 043 000

Holder for long-stemmed glasses
Offers safe positioning for up to four long-stemmed glasses during the dishwashing process and ensures an optimal cleaning result.
For positioning in the lower basket.

DA 045 061

3rd basket
With smooth running rails
For 86.5 cm high dishwashers
3rd loading level above the upper basket.
For small bowls, cups and cooking utensils.
Movable knife shelf.

Dishwasher 200 series

DF 271/DF 270

- Optimal protection for sensitive glassware by low temperature drying with zeolite, elaborated basket design and intelligent water softening
- 6 programmes with aqua sensor and 3 options, such as Power for cleaning and drying dishes from 57 minutes and Intensive for particularly thorough cleaning in the lower basket
- Flexible basket system with smooth running rails on all levels
- Bright interior lighting
- Push-to-open function for perfect integration into handleless furniture fronts
- Flexible hinge for reduced plinth height as of 50 mm
- Lateral Info-Light
- Very quiet: 43 dB

Handling

TFT display indicating remaining or end time, refill for salt and rinsing agent, inflow of water.

Touch key operation.

Flexible cycle time reduction, even during an active cycle.

Personalisation function for storing individual combinations of programmes. Information key with use indicators.

Time delay up to 24 hours.

Visual and acoustic end of programme indicator.

Lateral Info-Light.

Technical Features

Bright interior lighting.

Glass protection with zeolite.

Aqua sensor.

Load sensor.

Detergent recognition.

Regeneration electronics.

Heat exchanger.

Continuous flow heater.

Triple filter system.

Soft lock.

Aqua stop.

Digital Features

Downloadable programmes, such as Intelligent for adapting a cycle based on user feedback.*

Programme assistant.
Temporary noise reduction.

Drying assistant for optional door opening at the end of the programme.

Home network integration for digital services (Home Connect) wireless via WiFi.

The use of the Home Connect functionality depends on the Home Connect services, which are not available in every country. For further information please check: home-connect.com.

Please read additional information on Home Connect on page 345.

Programmes

6 programmes:

Auto 35 °C - 45 °C.

Auto 45 °C - 65 °C.

Auto 65 °C - 75 °C.

Eco 50 °C.

Quick wash 45 °C (35 min.).

Personalisation function
(default setting: Pre-rinse).

3 options:

Intensive.

Power.

Half Load.

Machine Care.

Features

Flexible basket system with smooth running rails on all levels.

Upper basket:

Over extension.

Optional extra cleaning area by activating additional spray nozzles.

Rackmatic with 3 levels, adjustable in height up to 5 cm.

6 folding spines.

4 folding racks for optimal protection of glass.

Lower basket:

8 folding spines.

2 folding racks for optimal protection of glass.

Dividable glass support.

Cutlery basket.

Maximum dish sizes

(upper/lower basket)

for 86.5 cm high dishwashers:
29/28, 26.5/30.5 or 24/34 cm
respectively.

Maximum dish sizes

(upper/lower basket)

for 81.5 cm high dishwashers:
27/25, 24.5/27.5 or 22/31 cm
respectively.

12 place setting capacity.

Maximum glass loading capacity

23 wine glasses.

Consumption data

Energy efficiency class B at a range of energy efficiency classes from A to G.

From 9.5 l water.

From 0.725 kWh.

Noise level 43 dB (re 1 pW).

Planning notes

Height-adjustable feet.

Appliance plinth recess 100 mm
(see drawing).

Rear feet adjustable at front.

Door weight up to 11 kg.

Door panel dimension dependent on plinth height of kitchen furniture.

Installation and usage also with furniture handle possible. The push-to-open function remains active.

Please read additional planning notes, also concerning flexible hinge, on page 330 – 337.

Connection

Total connected load 2000-2400 W.

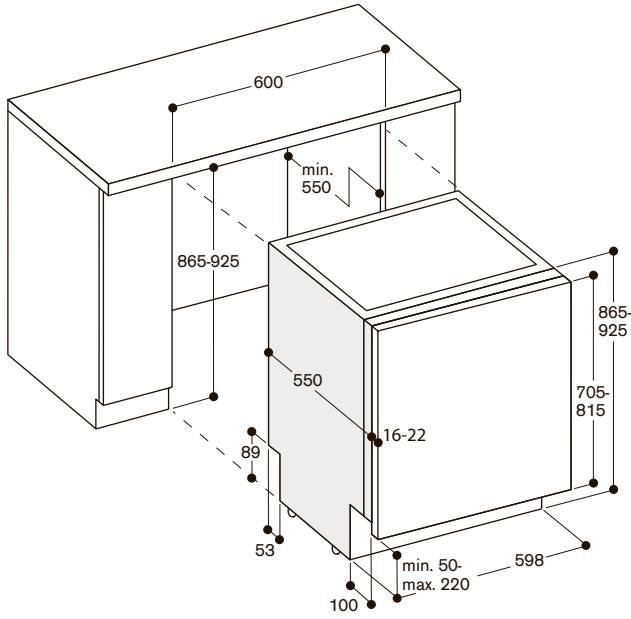
Connecting cable pluggable.

Water connection with 3/4" screw joint.

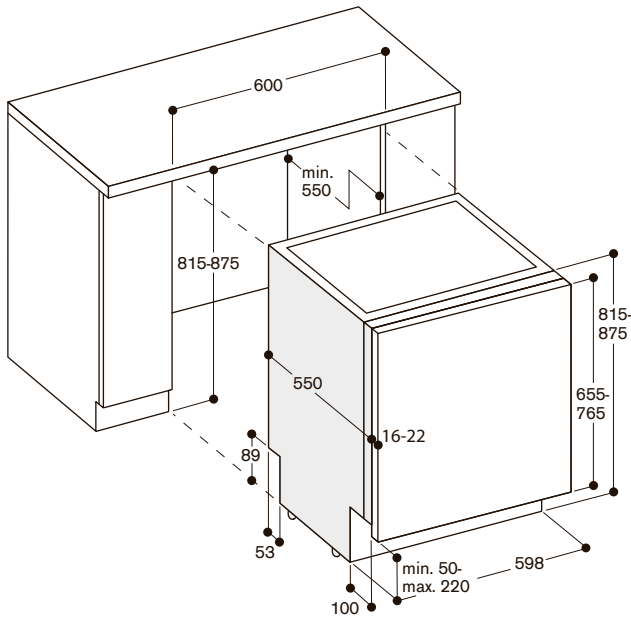
Connection to hot or cold water possible.

* Availability depending on country.

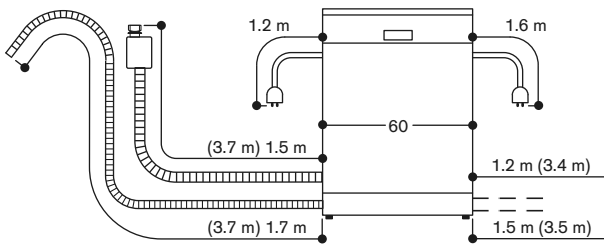
86.5 cm high dishwasher with flexible hinge



81.5 cm high dishwasher with flexible hinge



Connection dimensions for a 60 cm wide dishwasher



() values with extension kit



DF 261 101

Fully integrated
Height 86.5 cm

DF 260 101

Fully integrated
Height 81.5 cm



Included in the price

- 1 baking tray spray head
- 1 stainless steel trim kit

Installation accessories

DA 021 000

Hinge for all fully integrated dishwashers

GH 045 010

Handle bar with 2 mounts, stainless steel, length 45 cm, height 49 mm, drilling distance 427 mm

GZ 010 011

Extension for water inlet and outlet (2 m long)

Special accessories

DA 041 061 (included)

Cutlery drawer
3rd loading level above the upper basket.
For large pieces of cutlery, cooking utensils and espresso cups.
14 place setting capacity with all 3 levels.

DA 042 030

Silvercare cartridge for all dishwashers

DA 043 000

Holder for long-stemmed glasses
Offers safe positioning for up to four long-stemmed glasses during the dishwashing process and ensures an optimal cleaning result.

For positioning in the lower basket.

DA 045 060

3rd basket
For 86.5 cm high dishwashers
3rd loading level above the upper basket.
For small bowls, cups and cooking utensils.
Movable knife shelf.

Dishwasher 200 series

DF 261/DF 260

- Optimal protection for sensitive glassware by low temperature drying with zeolite, elaborated basket design and intelligent water softening
- 6 programmes with aqua sensor and 3 options, such as Power for cleaning and drying dishes from 57 minutes and Intensive for particularly thorough cleaning in the lower basket
- Flexible basket system
- Bright interior lighting
- Remaining time projection onto the kitchen floor
- Very quiet: 43 dB

Handling

TFT display indicating remaining or end time, refill for salt and rinsing agent, inflow of water.
Touch key operation.

Flexible cycle time reduction, even during an active cycle.

Personalisation function for storing individual combinations of programmes.

Information key with use indications.

Time delay up to 24 hours.

Visual and acoustic end of programme indicator.

Remaining time projection.

Technical Features

Bright interior lighting.

Glass protection with zeolite.

Aqua sensor.

Load sensor.

Detergent recognition.

Regeneration electronics.

Heat exchanger.

Continuous flow heater.

Triple filter system.

Soft lock.

Aqua stop.

Digital Features

Downloadable programmes, such as Intelligent for adapting a cycle based on user feedback.*

Programme assistant.

Temporary noise reduction.

Drying assistant for optional door opening at the end of the programme.

Home network integration for digital services (Home Connect) wireless via WiFi.

The use of the Home Connect functionality depends on the Home Connect services, which are not available in every country. For further information please check: home-connect.com.

Please read additional information on Home Connect on page 345.

Programmes

6 programmes:

Auto 35 °C - 45 °C.

Auto 45 °C - 65 °C.

Auto 65 °C - 75 °C.

Eco 50 °C.

Quick wash 45 °C (35 min.).

Personalisation function (default setting: Pre-rinse).

3 options:

Intensive.

Power.

Half Load.

Machine Care.

Features

Flexible basket system.

Upper basket:

Over extension.

Optional extra cleaning area by activating additional spray nozzles.

Rackmatic with 3 levels, adjustable in height up to 5 cm.

6 folding spines.

4 folding racks for optimal protection of glass.

Lower basket:

8 folding spines.

2 folding racks for optimal protection of glass.

Dividable glass support.

Cutlery basket.

Maximum dish sizes

(upper/lower basket)

for 86.5 cm high dishwashers:

29/28, 26.5/30.5 or 24/34 cm

respectively.

Maximum dish sizes

(upper/lower basket)

for 81.5 cm high dishwashers:

27/25, 24.5/27.5 or 22/31 cm

respectively.

13 place setting capacity.

Maximum glass loading capacity

23 wine glasses.

Consumption data

Energy efficiency class B at a range of energy efficiency classes from A to G.

From 9.5 l water.

From 0.635 kWh.

Noise level 43 dB (re 1 pW).

Planning notes

Height-adjustable feet.

Appliance plinth recess 100 mm

(see drawing).

To display the remaining time projection, a minimum plinth protrusion is required (40 mm + thickness of the furniture front).

The maximum plinth height must be reduced by 30 mm to provide an optimal display of the remaining time projection.

Rear feet adjustable at front.

Door weight up to 10/8.5 kg.

Door panel dimension dependent on plinth height of kitchen furniture.

Please read additional planning notes on page 330 – 337.

Connection

Total connected load 2000-2400 W.

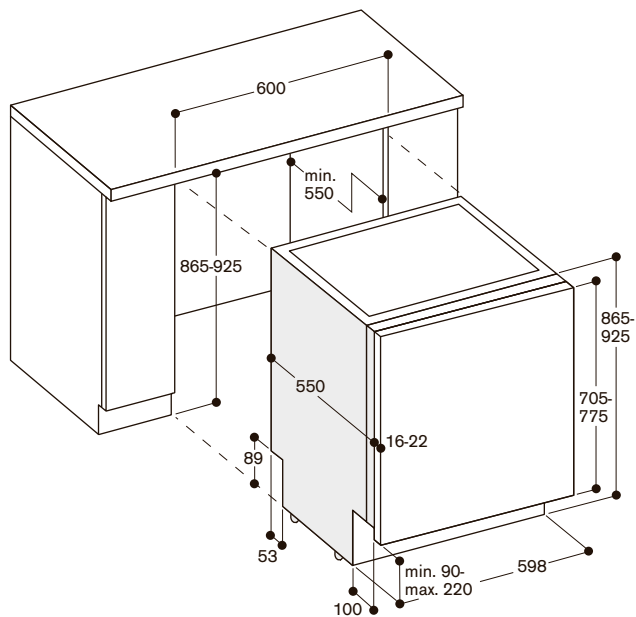
Connecting cable pluggable.

Water connection with 3/4" screw joint.

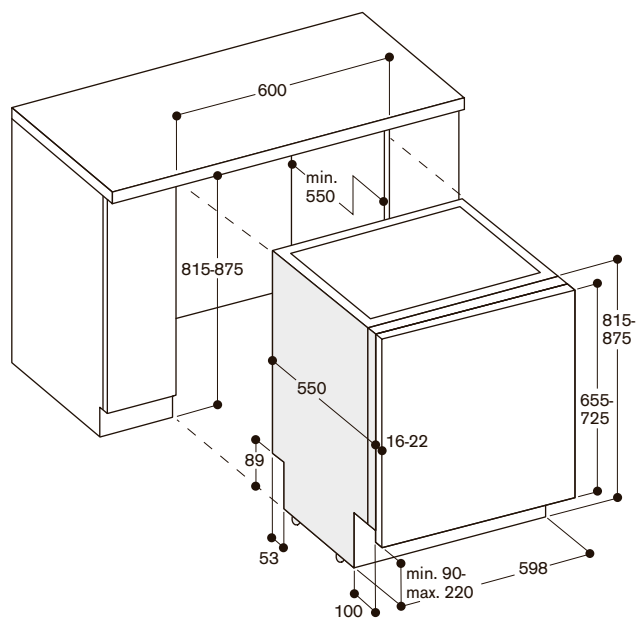
Connection to hot or cold water possible.

* Availability depending on country.

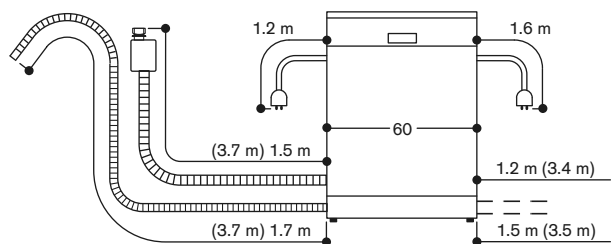
86.5 cm high dishwasher



81.5 cm high dishwasher



Connection dimensions for a 60 cm wide dishwasher



() values with extension kit



DF 264 100

Fully integrated

Height 81.5 cm, width 45 cm



Included in the price

1 baking tray spray head

Installation accessories

DA 020 040

Stainless steel trim kit for 81.5 cm high and 45 cm wide dishwashers

DA 021 000

Hinge for all fully integrated dishwashers

GZ 010 011

Extension for water inlet and outlet (2 m long)

Special accessories

DA 042 030

Silvercare cartridge for all dishwashers

Dishwasher 200 series

DF 264

- Optimal protection for sensitive glassware by low temperature drying with zeolite, elaborated basket design and intelligent water softening
- 6 programmes with aqua sensor and option Power for cleaning and drying dishes from 57 minutes
- Flexible basket system including cutlery drawer for optimal loading
- Remaining time projection onto the kitchen floor
- Bright interior lighting
- Very quiet: 44 dB

Handling

Display indicating remaining or end time, refill for salt and rinsing agent, inflow of water.

Flexible cycle time reduction, even during an active cycle.

Personalisation function for storing individual combinations of programmes.

Time delay up to 24 hours.

Visual and acoustic end of programme indicator.

Remaining time projection.

Technical Features

Bright interior lighting.

Glass protection with zeolite.

Aqua sensor.

Load sensor.

Detergent recognition.

Regeneration electronics.

Heat exchanger.

Continuous flow heater.

Triple filter system.

Soft lock.

Aqua stop.

Digital Features

Programme assistant.

Temporary noise reduction.

Home network integration for digital services (Home Connect) wireless via WiFi.

The use of the Home Connect functionality depends on the Home Connect services, which are not available in every country. For further information please check: home-connect.com.

Please read additional information on Home Connect on page 345.

Programmes

6 programmes:

Auto 35 °C - 45 °C.

Auto 45 °C - 65 °C.

Intensive 70 °C.

Eco 50 °C.

Quick wash 45 °C (29 min.).

Personalisation function (default setting: Pre-rinse).

1 Option:

Power.

Machine Care.

Features

Flexible basket system.

Cutlery drawer.

Upper basket:

Rackmatic with 3 levels, adjustable in height up to 5 cm.

3 folding spines.

1 folding rack.

Lower basket:

4 folding spines.

1 folding rack.

Glass support.

Maximum dish sizes

(upper/lower basket)

19/25, 16.5/27.5 or 14/31 cm respectively.

10 place setting capacity.

Consumption data

Energy efficiency class C at a range of energy efficiency classes from A to G.

From 9.5 l water.

From 0.593 kWh.

Noise level 44 dB (re 1 pW).

Planning notes

Height-adjustable feet.

Appliance plinth recess 100 mm (see drawing).

To display the remaining time projection, a minimum plinth protrusion is required (40 mm + thickness of the furniture front).

The maximum plinth height must be reduced by 30 mm to provide an optimal display of the remaining time projection.

Rear feet adjustable at front.

Door weight up to 7.5 kg.

Door panel dimension dependent on plinth height of kitchen furniture.

Please read additional planning notes on page 330 – 337.

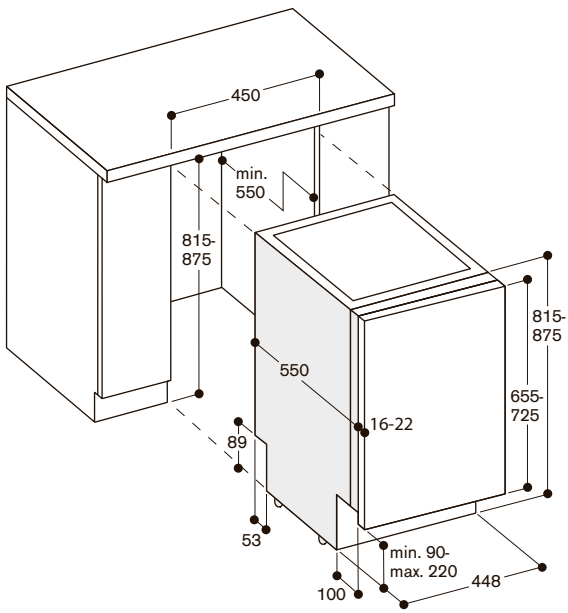
Connection

Total connected load 2000-2400 W.

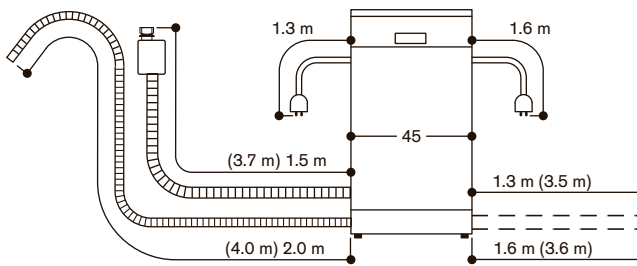
Connecting cable pluggable.

Water connection with 3/4" screw joint.

Connection to hot or cold water possible.



Connection dimensions for a 45 cm wide dishwasher



() values with extension kit

Additional planning notes for standard dishwashers (without flexible hinge)

For niche heights from 815 to 855 mm, in most cases, the 81.5 cm high dishwasher must be planned, regardless of the plinth height.

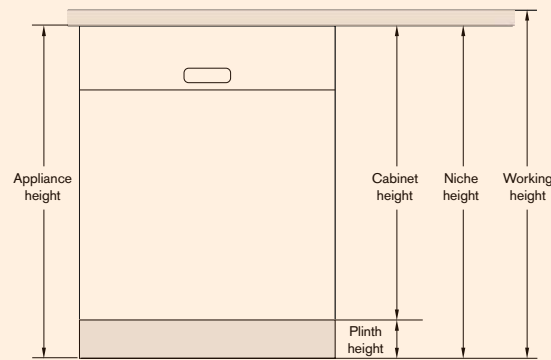
For niche heights from 885 to 925 mm, in most cases, the 86.5 cm high dishwasher must be planned, regardless of the plinth height.

If the niche height amounts to 865 or 875 mm, please note:
Whether the 81.5 cm high dishwasher or the 86.5 cm high dishwasher can be used here depends on the plinth height.

For dishwasher with remaining time projection, the maximum plinth height must be reduced by 30 mm to provide an optimal display.

Plinth height in mm	Front height 655-765 mm											Front height 705-815 mm					
	Niche height in mm →																
	815	825	835	845	855	865	875	885	895	905	915	925					
<90	1 (S)	1 (S)	1 (S)	1 (S)	1 (S)	6 (S)	6 (S)	6 (S)	6 (S)	6 (S)	6 (S)	6 (S)	6 (S)	6 (S)	6 (S)	6 (S)	6 (S)
90	1	1 (S/D)	1 (S)	1 (S)	1 (S)	6	6 (S)	6 (S)	6 (S)	6 (S)	6 (S)	6 (S)	6 (S)	6 (S)	6 (S)	6 (S)	6 (S)
100	1	1	1 (S/D)	1 (S)	1 (S)	1 (S) 6	6	6 (S/D)	6 (S)	6 (S)	6 (S)	6 (S)	6 (S)	6 (S)	6 (S)	6 (S)	6 (S)
110	1	1	1	1 (S/D)	1 (S)	1 (S) 6	1 (S) 6	6	6 (S/D)	6 (S)	6 (S)	6 (S)	6 (S)	6 (S)	6 (S)	6 (S)	6 (S)
120	1	1	1	1	1 (S/D)	1 (S) 6	1 (S) 6	6	6	6 (S/D)	6 (S)	6 (S)	6 (S)	6 (S)	6 (S)	6 (S)	6 (S)
130	1	1	1	1	1	1 (S/D) 6	1 (S) 6	6	6	6	6	6 (S/D)	6 (S)	6 (S)	6 (S)	6 (S)	6 (S)
140	1	1	1	1	1	1 6	1 (S/D) 6	6	6	6	6	6	6	6	6 (S/D)	6 (S)	6 (S/D)
150	1	1	1	1	1	1 6	1 6	6	6	6	6	6	6	6	6	6	6
160	1	1	1	1	1	1 6	1 6	6	6	6	6	6	6	6	6	6	6
170		1	1	1	1	1	1 6	6	6	6	6	6	6	6	6	6	6
180			1	1	1	1	1	6	6	6	6	6	6	6	6	6	6
190				1	1	1	1		6	6	6	6	6	6	6	6	6
200					1	1	1			6	6	6	6	6	6	6	6
210						1	1					6	6	6	6	6	6
220							1									6	6

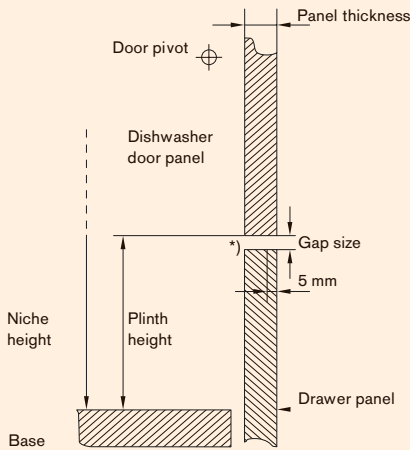
- 1 = 81.5 cm high dishwasher DF 480/DF 270/DF 260/DF 210, (S) = special solution
- 6 = 86.5 cm high dishwasher DF 481/DF 271/DF 261/DF 211, (S) = special solution
- (S) = special solution with folding hinge (DA 021 000) / divided kitchen furniture door
- (D) = special solution with 10 mm gap from the worktop → Spacer batten / child lock not possible



Additional planning notes – tall unit installation of standard dishwashers (without flexible hinge)

Tall unit installation of dishwashers without slanted drawer panel

The table contains the gap size required between the kitchen furniture door panel and drawer panel with reference to niche height, plinth height and panel thickness when using a standard kitchen furniture door panel for dishwashers installed below worktops.

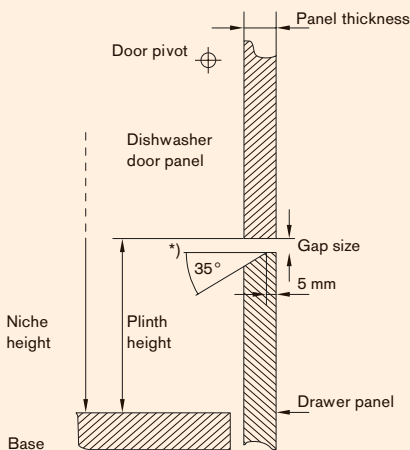


* The pivot area of the door should be at least 4 mm.

Niche height (mm)	Panel thickness (mm)		Plinth height (mm)							
	90	100	110	120	130	140	150	160	170	
815	16	10.5	11	12	13	14.5	16.5	19	22.5	
	19	12	12.5	13.5	15	16.5	18.5	22	25.5	
	22	13.5	14.5	15.5	16.5	18.5	21	24.5	28.5	
825	16	10.5	11	12	13	14.5	16.5	19	22.5	
	19	12	12.5	13.5	15	16.5	18.5	22	25.5	
	22	13.5	14.5	15.5	16.5	18.5	21	24.5	28.5	
835	16		10.5	11	12	13	14.5	16.5	19	
	19		12	12.5	13.5	15	16.5	18.5	22	
	22		13.5	14.5	15.5	16.5	18.5	21	24.5	
845	16			10.5	11	12	13	14.5	16.5	
	19			12	12.5	13.5	15	16.5	18.5	
	22			13.5	14.5	15.5	16.5	18.5	21	
855	16				10.5	11	12	13	14.5	
	19				12	12.5	13.5	15	16.5	
	22				13.5	14.5	15.5	16.5	18.5	
865	16	10.5	11	12	13	14.5	16.5	19	22.5	
	19	12	12.5	13.5	15	16.5	18.5	22	25.5	
	22	13.5	14.5	15.5	16.5	18.5	21	24.5	28.5	
875	16	10.5	11	12	13	14.5	16.5	19	22.5	
	19	12	12.5	13.5	15	16.5	18.5	22	25.5	
	22	13.5	14.5	15.5	16.5	18.5	21	24.5	28.5	
885	16		10.5	11	12	13	14.5	16.5	19	
	19		12	12.5	13.5	15	16.5	18.5	22	
	22		13.5	14.5	15.5	16.5	18.5	21	24.5	
895	16			10.5	11	12	13	14.5	16.5	
	19			12	12.5	13.5	15	16.5	18.5	
	22			13.5	14.5	15.5	16.5	18.5	21	
905	16			10.5	11	12	13	14.5	16.5	
	19			12	12.5	13.5	15	16.5	18.5	
	22			13.5	14.5	15.5	16.5	18.5	21	
915	16				10.5	11	12	13		
	19				12	12.5	13.5	15		
	22				13.5	14.5	15.5	16.5		
925	16					10.5	11	12		
	19					12	12.5	13.5		
	22					13.5	14.5	15.5		

Tall unit installation of dishwashers with slanted drawer panel

The table contains the gap size required between the kitchen furniture door panel and drawer panel with reference to niche height, plinth height and panel thickness when using a standard kitchen furniture door panel for dishwashers installed below worktops.



* The pivot area of the door should be at least 4 mm.

Niche height (mm)	Panel thickness (mm)		Plinth height (mm)							
	90	100	110	120	130	140	150	160	170	
815	16	6.5	6.5	7	7.5	8	9	12	15.5	
	19	7	7.5	8	8.5	9.5	11	13	17	
	22	7.5	7.5	8	9	9.5	11.5	14	18	
825	16	6.5	6.5	7	7.5	8	9	12	15.5	
	19	7	7.5	8	8.5	9.5	11	13	17	
	22	7.5	7.5	8	9	9.5	11.5	14	18	
835	16		6.5	6.5	7	7.5	8	9	12	
	19		7	7.5	8	8.5	9.5	11	13	
	22		7.5	7.5	8	9	9.5	11.5	14	
845	16			6.5	6.5	7	7.5	8	9	
	19			7	7.5	8	8.5	9.5	11	
	22			7.5	7.5	8	9	9.5	11.5	
855	16				6.5	6.5	7	7.5	8	
	19				7	7.5	8	8.5	9.5	
	22				7.5	7.5	8	9	9.5	
865	16	6.5	6.5	7	7.5	8	9	12	15.5	
	19	7	7.5	8	8.5	9.5	11	13	17	
	22	7.5	7.5	8	9	9.5	11.5	14	18	
875	16	6.5	6.5	7	7.5	8	9	12	15.5	
	19	7	7.5	8	8.5	9.5	11	13	17	
	22	7.5	7.5	8	9	9.5	11.5	14	18	
885	16	6.5	6.5	7	7.5	8	9	12	15.5	
	19	7	7.5	8	8.5	9.5	11	13	17	
	22	7.5	7.5	8	9	9.5	11.5	14	18	
895	16			6.5	6.5	7	7.5	8	9	
	19			7	7.5	8	8.5	9.5	11	
	22			7.5	7.5	8	9	9.5	11.5	
905	16				6.5	6.5	7	7.5	8	
	19				7	7.5	8	8.5	9.5	
	22				7.5	7.5	8	9	9.5	
915	16					6.5	6.5	7	7.5	
	19					7	7.5	8	8.5	
	22					7.5	7.5	8	9	
925	16						6.5	6.5	7	
	19						7	7.5	8	
	22						7.5	7.5	8	

Additional planning notes for dishwashers with flexible hinge

For niche heights from 815 to 860 mm, in most cases, the 81.5 cm high dishwasher must be planned, regardless of the plinth height.

For niche heights from 880 to 925 mm, in most cases, the 86.5 cm high dishwasher must be planned, regardless of the plinth height.

If the niche height amounts between 865 and 875 mm, please note: Whether the 81.5 cm high dishwasher or the 86.5 cm high dishwasher can be used here depends on the plinth height.

If the installation of a dishwasher with **flexible hinge** is necessary or not depends on several factors.

The door panels cannot be used with dishwashers with flexible hinge.

		Front height 655–765 mm									
		Niche height in mm →									
		815	820	825	830	835	840	845	850	855	860
Plinth height in mm ↓	50	①									
	55	①	①								
60	①	①	①								
65	①	①	①	①							
70	①	①	①	①	①						
75	①	①	①	①	①	①					
80	①	①	①	①	①	①	①				
85	①	①	①	①	①	①	①	①			
90	①*	①	①	①	①	①	①	①	①		
95	①*	①*	①	①	①	①	①	①	①	①	
100	①*	①*	①*	①	①	①	①	①	①	①	①
105	①*	①*	①*	①*	①	①	①	①	①	①	①
110	①*	①*	①*	①*	①*	①	①	①	①	①	①
115	①*	①*	①*	①*	①*	①*	①	①	①	①	①
120	①*	①*	①*	①*	①*	①*	①*	①	①	①	①
125	①*	①*	①*	①*	①*	①*	①*	①*	①	①	①
130	①*	①*	①*	①*	①*	①*	①*	①*	①*	①*	①
135	①*	①*	①*	①*	①*	①*	①*	①*	①*	①*	①*
140	①*	①*	①*	①*	①*	①*	①*	①*	①*	①*	①*
145	①*	①*	①*	①*	①*	①*	①*	①*	①*	①*	①*
150	①*	①*	①*	①*	①*	①*	①*	①*	①*	①*	①*
155	①*	①*	①*	①*	①*	①*	①*	①*	①*	①*	①*
160	①*	①*	①*	①*	①*	①*	①*	①*	①*	①*	①*
165		①*	①*	①*	①*	①*	①*	①*	①*	①*	①*
170			①*	①*	①*	①*	①*	①*	①*	①*	①*
175				①*	①*	①*	①*	①*	①*	①*	①*
180					①*	①*	①*	①*	①*	①*	①*
185						①*	①*	①*	①*	①*	①*
190							①*	①*	①*	①*	①*
195								①*	①*	①*	①*
200										①*	①*
205											①*
210											
215											
220											

① = 81.5 cm high dishwasher with flexible hinge DF 480 100F / DF 270 101F
 ② = 86.5 cm high dishwasher with flexible hinge DF 481 100F / DF 271 101F
 * Also possible with dishwashers without flexible hinge.

	95	100	105	110	115	120	125	130	135	140	145	150	155	160	165	170
	3	3.5	3.5	3.5	3.5	3.5	4	4	4	6						
	4	4	4	4	4.5	4.5	4.5	5	5	8						
	4.5	4.5	4.5	5	5	5.5	5.5	6	6.5	11						
	3	3	3.5	3.5	3.5	3.5	3.5	4	4	4	6					
	3.5	4	4	4	4	4.5	4.5	4.5	5	5	8					
	4.5	4.5	4.5	4.5	5	5	5.5	5.5	6	6.5	11					
	3	3	3	3.5	3.5	3.5	3.5	3.5	4	4	4	6				
	3.5	3.5	4	4	4	4	4.5	4.5	4.5	5	5	8				
	4	4.5	4.5	4.5	4.5	5	5	5.5	5.5	6	6.5	11				
	3	3	3	3	3.5	3.5	3.5	3.5	3.5	4	4	4	6			
	3.5	3.5	3.5	4	4	4	4	4.5	4.5	4.5	5	5	8			
	4	4	4.5	4.5	4.5	4.5	5	5	5.5	5.5	6	6.5	11			
	3	3	3	3	3	3.5	3.5	3.5	3.5	3.5	4	4	4	6		
	3.5	3.5	3.5	3.5	3.5	4	4	4	4	4.5	4.5	4.5	5	5	8	
	4	4	4	4	4.5	4.5	4.5	4.5	5	5	5.5	5.5	6	6.5	11	
	3	3	3	3	3	3	3	3	3.5	3.5	3.5	3.5	3.5	4	4	4
	3.5	3.5	3.5	3.5	3.5	3.5	3.5	4	4	4	4	4.5	4.5	4.5	5	5
	3.5	4	4	4	4	4	4.5	4.5	4.5	4.5	5	5	5.5	5.5	6	6.5
	3	3	3	3	3	3	3	3	3	3.5	3.5	3.5	3.5	3.5	4	4
	3.5	3.5	3.5	3.5	3.5	3.5	3.5	3.5	4	4	4	4.5	4.5	4.5	5	5
	3.5	4	4	4	4	4	4.5	4.5	4.5	4.5	5	5	5.5	5.5	6	6.5
	3	3	3	3	3	3	3	3	3	3.5	3.5	3.5	3.5	3.5	4	4
	3.5	3.5	3.5	3.5	3.5	3.5	3.5	3.5	3.5	4	4	4	4.5	4.5	4.5	5
	4	4	4	4	4	4	4	4.5	4.5	4.5	4.5	5	5	5.5	5.5	6
	3	3	3	3	3	3	3	3	3	3	3.5	3.5	3.5	3.5	3.5	4
	3.5	3.5	3.5	3.5	3.5	3.5	4	4	4	4	4.5	4.5	4.5	5	5	8
	4	4	4	4	4	4.5	4.5	4.5	4.5	5	5	5.5	5.5	6	6.5	11
	3	3	3	3	3	3	3	3	3.5	3.5	3.5	3.5	3.5	4	4	4
	3.5	3.5	3.5	3.5	3.5	3.5	3.5	3.5	4	4	4	4.5	4.5	4.5	5	5
	3.5	4	4	4	4	4	4.5	4.5	4.5	4.5	5	5	5.5	5.5	6	6.5
	3	3	3	3	3	3	3	3	3	3.5	3.5	3.5	3.5	3.5	4	4
	3	3.5	3.5	3.5	3.5	3.5	3.5	3.5	4	4	4	4	4.5	4.5	4.5	5
	3.5	3.5	4	4	4	4	4	4.5	4.5	4.5	4.5	5	5	5.5	5.5	6
	3	3	3	3	3	3	3	3	3	3	3.5	3.5	3.5	3.5	3.5	4
	3	3	3.5	3.5	3.5	3.5	3.5	3.5	3.5	4	4	4	4	4.5	4.5	4.5
	3.5	3.5	3.5	4	4	4	4	4	4.5	4.5	4.5	4.5	5	5	5.5	5.5
		3	3	3	3	3	3	3	3	3	3	3.5	3.5	3.5	3.5	3.5
		3	3	3.5	3.5	3.5	3.5	3.5	3.5	4	4	4	4	4	4.5	4.5
		3.5	3.5	3.5	4	4	4	4	4	4.5	4.5	4.5	4.5	5	5	5.5
			3	3	3	3	3	3	3	3	3	3	3.5	3.5	3.5	3.5
			3	3	3.5	3.5	3.5	3.5	3.5	3.5	4	4	4	4	4	4.5
			3.5	3.5	3.5	4	4	4	4	4	4.5	4.5	4.5	4.5	5	5
				3	3	3	3	3	3	3	3	3	3	3.5	3.5	3.5
				3	3	3.5	3.5	3.5	3.5	3.5	3.5	4	4	4	4	4
				3.5	3.5	3.5	4	4	4	4	4	4.5	4.5	4.5	4.5	5

Accessories and special accessories for dishwashers

Flexible basket system

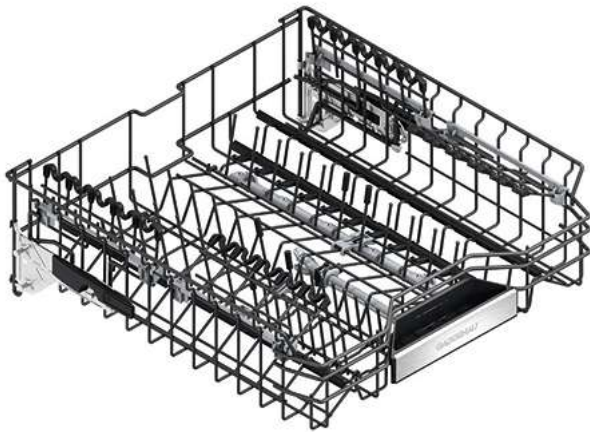
Flexible basket system with smooth running rails on all levels and cushioned closing of the upper and

lower basket.

For more flexibility and easier handling when loading and unloading the dishwasher.

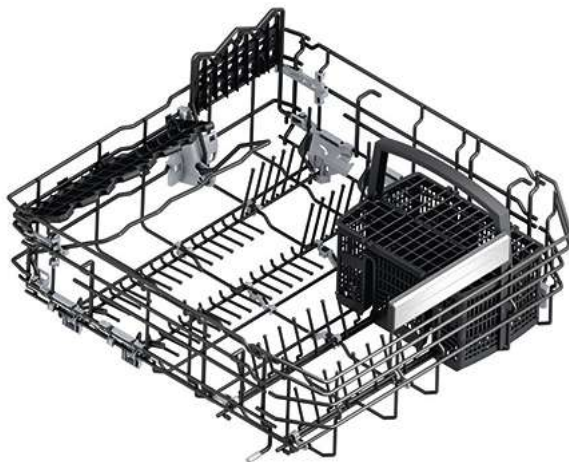
Upper basket

6 folding spines.
4 folding racks for optimal protection of glass.
With over extension, optional extra cleaning area, **smooth running rails and cushioned closing** as well as rackmatic with 3 levels, adjustable in height up to 5 cm.
Handle for easier removal of the upper basket.



Lower basket

8 folding spines.
2 folding racks for optimal protection of glass.
Dividable glass support.
Cutlery basket.
With smooth running rails and cushioned closing.
Handle for easier removal of the lower basket.



Configuration of flexible basket system depending on model.

DA 020 010

Stainless steel trim kit for all 81.5 cm high dishwashers
Set of 2, for left and right.
To cover the gap between appliance and adjacent furniture and for better fixation of the appliance in the niche.
The white frame is replaced by a stainless steel trim kit.
W x D in cm: 2.2x2.0.
Height 62.2 cm.

DA 020 110

Stainless steel trim kit for 86.5 cm high dishwashers
Set of 2, for left and right.
To cover the gap between appliance and adjacent furniture and for better fixation of the appliance in the niche.
The white frame is replaced by a stainless steel trim kit.
W x D in cm: 2.2x2.0.
Height 67.2 cm.

DA 020 040

Stainless steel trim kit for 81.5 cm high and 45 cm wide dishwashers
Set of 2, for left and right.
To cover the gap between appliance and adjacent furniture and for better fixation of the appliance in the niche.
The white frame is replaced by a stainless steel trim kit.
W x D in cm: 2.3 x 2.3.
Height 62.2 cm.

DA 021 000

Hinge for all fully integrated dishwashers
Installation solution for all dishwashers with a niche height of up to 92 cm and split furniture panel.
The hinge is fastened to the plinth of the appliance and the lower part of the split furniture panel is mounted onto it.
Height upper part of the split furniture panel:
64.5 – 68 cm for
81.5 cm high dishwashers.
69.5 – 73 cm for
86.5 cm high dishwashers.

DA 041 160

Cutlery drawer with **smooth running rails**
3rd loading level above the upper basket.
For large pieces of cutlery, cooking utensils and espresso cups.
13 place setting capacity with all 3 levels.



DA 041 061

Cutlery drawer

3rd loading level above the upper basket.

For large pieces of cutlery, cooking utensils and espresso cups.

14 place setting capacity with all 3 levels.

**DA 045 060**

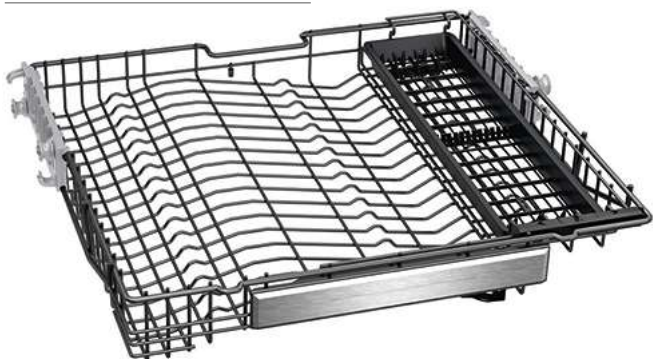
3rd basket

For 86.5 cm high dishwashers

3rd loading level above the upper basket.

For small bowls, cups and cooking utensiles.

Movable knife shelf.

**DA 045 061**

3rd basket

With **smooth running rails**

For 86.5 cm high dishwashers

3rd loading level above the upper basket.

For small bowls, cups and cooking utensiles.

Movable knife shelf.

**DA 042 030**

Silvercare cartridge for all dishwashers

Made of aluminium to protect silverware from corrosion.

Easy use of cartridge in the cutlery basket.

W x H x D in cm: 5.5x20.2x4.1.

**DA 043 000**

Holder for long-stemmed glasses

Offers safe positioning for up to four long-stemmed glasses during the dishwashing process and ensures an optimal cleaning result.

For positioning in the lower basket.

**GH 045 010**

Handle bar with 2 mounts, stainless steel, length 45 cm, drilling distance 427 mm

**GZ 010 011**

Extension for water inlet and outlet

(2 m long).





WM 260 164

Free-standing, slide-under or stackable
Width 60 cm, height 84.8 cm



Special accessories

WA 200 001

Aquastop extension for cold water inlet

Washing machine

WM 260

- Intelligent dosage system iDos 2.0 for liquid detergent and softener for a perfect washing result
- 10 kg drum with interior lighting
- Top-up function
- Dynamic Wash System: innovative washing technology for increased cleaning performance
- Combines perfectly with dryer WT260 110

Handling

Automatic programmes: Perfect washing results at the touch of a button. Illuminated rotary knob with integrated On-Off switch. Touch key operation. TFT display with clear text and symbols. Loading indicator with dosage recommendation. Programme sequence and remaining time display. Time delay up to 24 hours. Multiple signal tones.

Technical Features

Aqua sensor.
Aqua stop.
Flow-through sensor.
Anti-stain automatic.
Continuous automatic load adjustment.
Foam detection system.
Spin speed selection from 400 to 1600 rpm.
Top-up function.
Dynamic Wash System technology for increased cleaning performance.
Automatic stabilisation.
Anti-crease system.
Child lock.

Home network integration for digital services (Home Connect) wireless via WiFi.

The use of the Home Connect functionality depends on the Home Connect services, which are not available in every country. For further information please check: home-connect.com.

Please read additional information on Home Connect on page 345.

Programmes

Eco 40-60.
Cottons.
Cottons Color.
Easy Care.
Quick/Mix.
Delicates/Silk.
Automatic.
Automatic Soft.
Dark Wash.
Sports.
Super 15/30.
Wool.
Memory.
Additional Programmes: Shirts, Allergy Plus, Drum Clean, Single Rinse, Spinning, Drain.
Options: Remote-Start, Intensive Plus, Speed Perfect, Rinse Plus, Less ironing, Rinse Hold, Water Plus, Silent Wash, Prewash, Stains.

Features

iDos 2.0 for fully automatic dosing of liquid detergent and softener. Volume capacity from 1 to 10 kg. Drum interior lighting. Powder detergent drawer with automatic cleaning mode after every wash cycle. Stainless steel drum with wave structure. Innovative BLDC motor technology for more performance, higher durability as well as less energy consumption and noise.

Consumption data

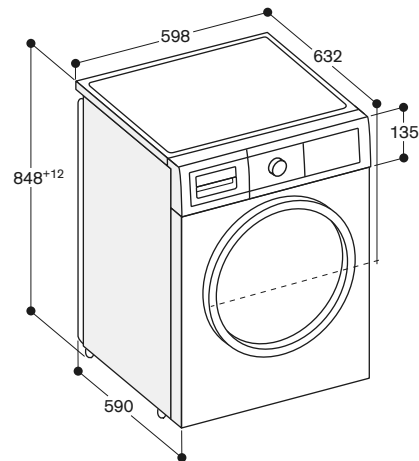
Energy efficiency class C at a range of energy efficiency classes from A to G. Water consumption 49 l. Energy consumption 67 kWh per 100 cycles

Planning notes

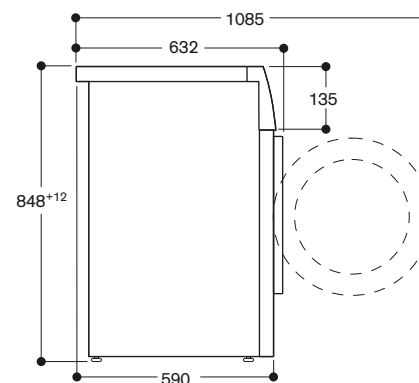
Left-hinged.
Large porthole with 180 ° opening angle. Height-adjustable feet.
Height for slide-under installation: 85 cm. Distance from appliance to cabinet min. 5mm left, right and top. Installation below 4000m sea level. Stackable under dryer WT 260 110 in combination with special accessory. With pull-out shelf 17001528, without pull-out shelf 17001527.

Connection

Total connected load 2.3 kW. Connection cable 160 cm with plug. Water connection with 3/4" screw joint.



measurements in mm



measurements in mm



WT 260 110

Free-standing, slide-under or stackable
Width 60 cm, height 84.2 cm



Included in the price

1 wool basket

Special accessories

WA 027 400

Connection kit with extendable shelf

Tumble dryer with heat pump

WT 260

- Heat pump technology
- Self-cleaning condenser for automatic fluff removal
- Very silent drying with only 62 db
- Steam Refresh: refreshes and removes creases from dry laundry
- Smart Dry automatically selects the right dryer program based on the last washing program

Handling

Illuminated rotary knob with integrated On-Off switch.
Touch key operation.
TFT display with clear text and symbols.
Programme sequence and remaining time display.
Time delay up to 24 hours.
Multiple signal tones.

Technical Features

Moisture and time controlled programmes.
Heat pump technology.
Self-cleaning heat exchanger.
Refresh function without previous washing cycle.
Anti-crease cycle at programme end.
Top-up function.
Child lock.

Home network integration for digital services (Home Connect) wireless via WiFi.

The use of the Home Connect functionality depends on the Home Connect services, which are not available in every country. For further information please check: home-connect.com.

Please read additional information on Home Connect on page 345.

Programmes

Cottons.
Easy Care.
Mix.
Timed program warm.
Wool in Basket.
Business Refresh.
5 Shirts/Blouses Refresh.
1 Shirt/Blouse Refresh.
Shirts.
Towels.
Super 40.
Hygiene.
Additional Programmes: Smart Dry, Blankets, Dessous, Synthetics, Down, Wool Finish.
Options: Remote Start, Anti Crease, Easy Iron, Drying Target, Drying Target Adjustment, Spin Speed, Gentle Dry, Memory Function.

Features

Stainless steel drum with honeycomb structure.
Dry wool without shrinking or matting thanks to the included basket for woollens.
Volume capacity from 1 to 9kg.
Drum interior lighting.

Consumption data

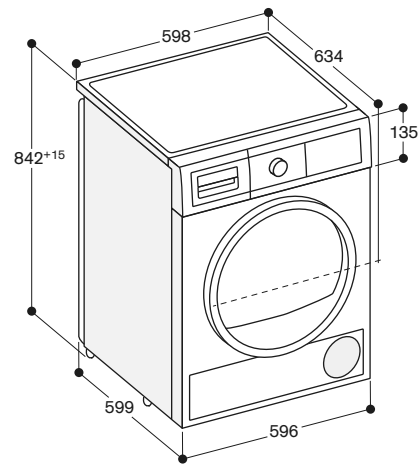
Energy efficiency class A+++ at a range of energy efficiency classes from A+++ to D.

Planning notes

Combines perfectly with washing machine WM 260 164.
Right-hinged, reversible.
Large porthole with 165 ° opening angle.
Height-adjustable feet.
Height for slide-under installation: 84.2 cm.
Distance from appliance to cabinet min. 5mm left, right and top.
Installation below 2000m sea level.
Stackable above washing machine WM 260 164 in combination with special accessory. With pull-out shelf 17001528, without pull-out shelf 17001527.

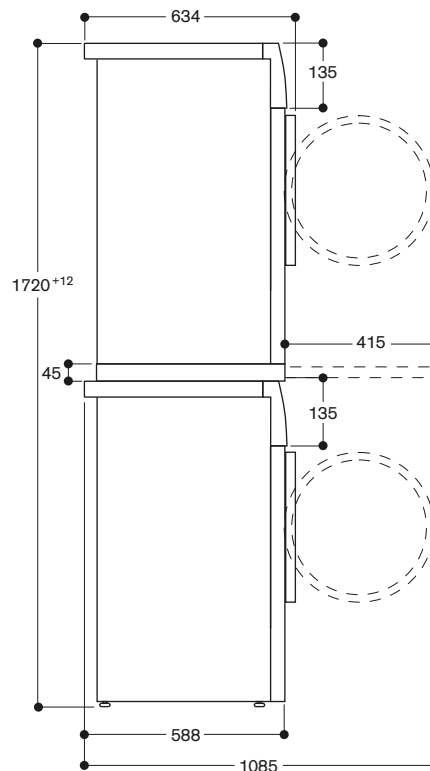
Connection

Total connected load 1.0 kW.
Connection cable 145 cm with plug.



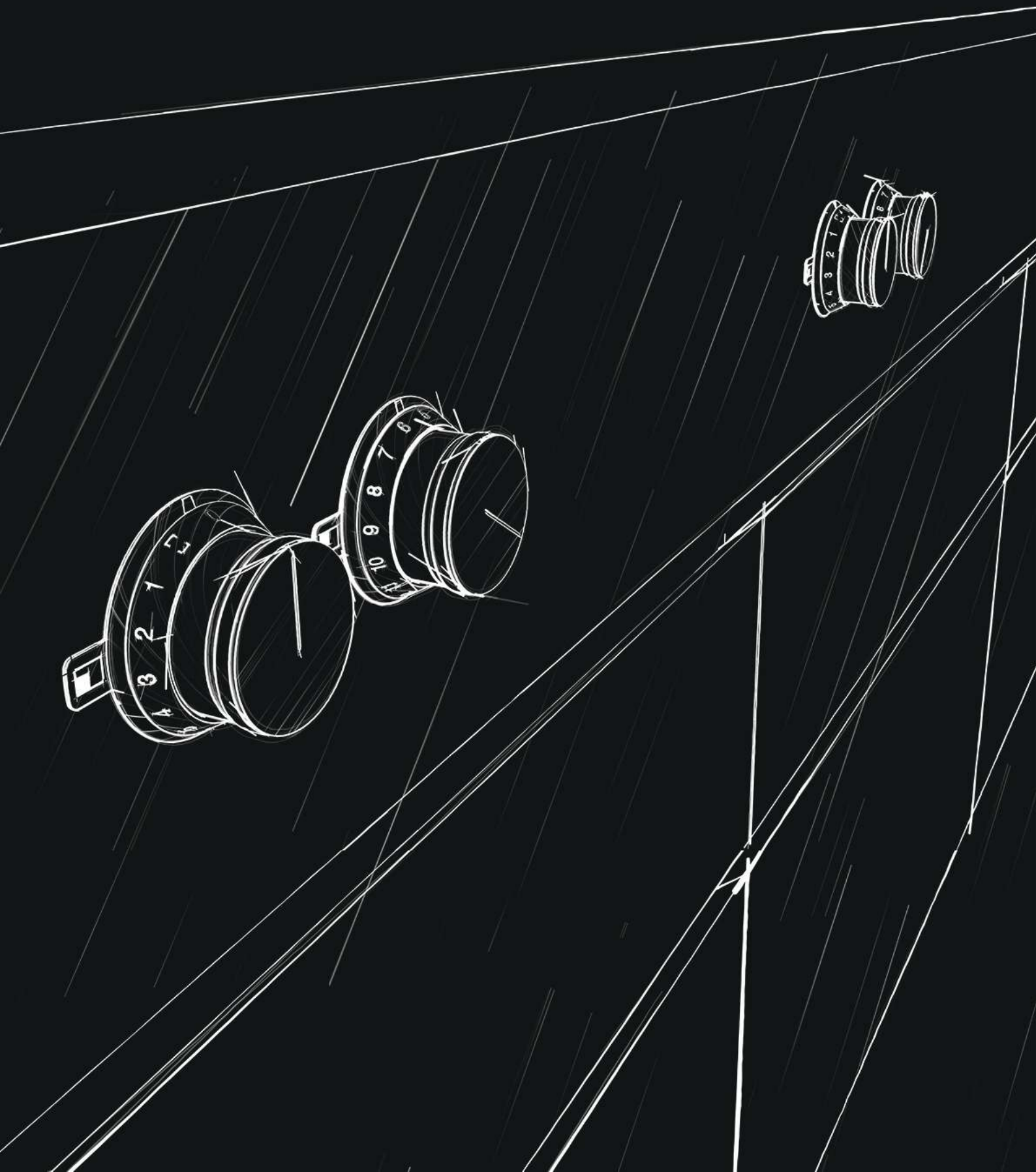
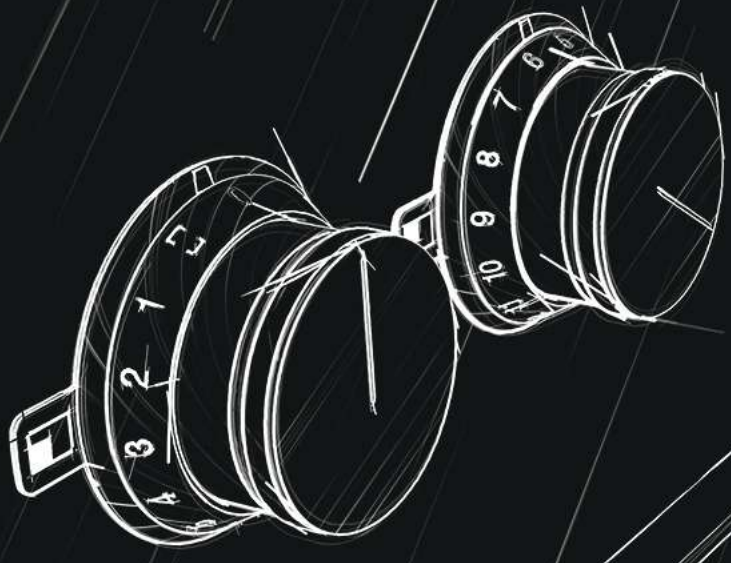
measurements in mm

Side view of WT 260 above WM 260 with connection kit accessory



measurements in mm

*Energy efficiency class: at a range of energy efficiency classes from A+++ to D.



Energy Label | Home Connect | The accessories

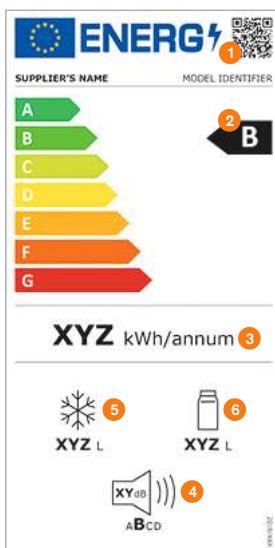
Energy Label	344
Home Connect	345
Gastronorm system	346
Furniture handles	347

Energy Labels

By using energy-saving home appliances, you save valuable resources as well as money. That's why you should consider low energy and water consumption values when you purchase a home appliance.

Technological developments have resulted in many more products being able to attain an A+ or better rating. User behaviour has also changed, which is why new rescaled labels have been created that take this into account for washing machines, washer-dryers, dishwashers, cooling appliances and wine coolers. The Energy Label for ovens, cooktops and extractors will remain the same.

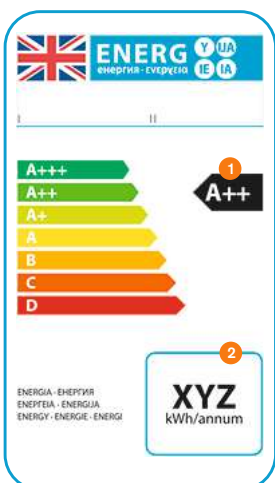
For more information on energy labels, visit: www.gaggenau.com



New rescaled energy label for washing machines, washer-dryers, dishwashers, cooling appliances and wine coolers.

Example Key for a fridge-freezer combination

- 1 QR code
- 2 Energy efficiency class
- 3 Energy consumption in kWh/year (measured under new standard conditions)
- 4 Noise emissions expressed in dB(A) re 1 PW and noise emission class
- 5 Total volume of all freezer compartments
- 6 Total volume of all refrigerator compartments



Energy label for oven, cooktops, extractors.

Key

- 1 Energy efficiency class
- 2 Energy consumption in kWh/year (measured under standard conditions)

The extraordinary, becomes connected.

Gaggenau and Home Connect*



The difference is Gaggenau.

This is the beginning of the future of cooking. Aided by a digital device, the private chef can, for instance, preheat the oven, turn on ventilation, start the dishwasher, download digital user manuals and have a technician run a diagnostic check, all remotely.

Integrating into different home managements systems ensures the kitchen remains the heart of the digital home. The private chef can ask Amazon Alexa to prepare a cup of coffee and turn on the ventilation while checking remaining time of the oven.

- Connect: Remotely control** and monitor. Enable remote diagnosis by an online technician.
- Access: Download user manuals and utilise our partnering network.
- Integration: Compatible with different home management systems.

This is just the start, explore the possibilities at home-connect.com.

*The use of the Home Connect functionality depends on the Home Connect services, which are not available in every country. For further information please check: home-connect.com.

**Not applicable for cooktops, cooktops are not intended for unattended use – cooking process must be supervised.

The Gaggenau Gastronorm system

The Gastronorm system provides the basis for cookware in the professional kitchen. It enables a smooth continuum from the preparation and cooking stages right through to serving at the table and storage. The Gastronorm inserts from Gaggenau have been adapted to match our cooling appliances, our induction cooktops, our Combi-steam and steam ovens, our ovens as well as our dishwashers.



Prepare.

To prepare in combination with kitchen sinks in the Gastronorm format.

Keep fresh.

To keep fresh in Gaggenau cooling appliances.

Cook.

To cook on induction cooktops VI, CI and CX, in our Combi-steam and steam ovens BS/BSP or our ovens BO/BOP in combination with the pull-out system BA 018/BA 016.

Keep warm.

To keep warm in the Gaggenau warming drawers WS/WSP.

Regenerate/warm up.

To regenerate in our Combi-steam and steam ovens BS/BSP as well as warming up on our induction cook-tops VI, CI and CX or in our ovens BO/BOP in combination with the pull-out systems BA 018/BA 016.

Dishwashing.

Optimal cleaning and drying of the GN inserts thanks to the GN insert holder.

Accessories in the Gaggenau Gastronorm system

For usage in the various Gaggenau appliances the following accessories in the Gaggenau Gastronorm system are available.

Gastronorm insert

[GN 114/124/144/154](#)

These high-walled, sturdy inserts made from hygienic stainless steel are ideal for cooking with steam and equally practical for storage in the refrigerator or serving at the table. They are dishwasher-safe. For cooking several meals simultaneously, the cooking inserts for Combi-steam and steam ovens in the GN 2/3 format can be combined as required with smaller inserts that are available as special accessories in the GN 1/3 format.

GN 114 130

Gastronorm insert, stainless steel, GN 1/3, unperforated, 40 mm deep, 1.5l



GN 114 230

Gastronorm insert, stainless steel, GN 2/3, unperforated, 40 mm deep, 3l



GN 124 130

Gastronorm insert, stainless steel, GN 1/3, perforated, 40 mm deep, 1.5l



GN 124 230

Gastronorm insert, stainless steel, GN 2/3, perforated, 40 mm deep, 3l



Gastronorm roaster

[GN 340](#)

Gastronorm roaster in cast aluminium GN 2/3, height 165 mm, non-stick. For roasting in oven with roasting function. Lower and upper part can also be used as separate ovenproof dishes, height 100 and 65 mm. For ovens with heating element BA 056 115 or BA 058 115 and pull-out system BA 016 or BA 018 (both to be ordered separately) and for Combi-steam ovens with adapter GN 010 330 and pull-out system BA 010 301 (both to be ordered separately).

GN 340 230

Gastronorm roaster, cast aluminium, GN 2/3, height 165 mm



Teppan Yaki plate

[GN 232](#)

GN 232 110

Teppan Yaki plate made of multi ply material, GN 1/1
For full surface induction cooktop CX 492/482



Furniture handles

For the individual design of your furniture fronts, Gaggenau is offering handle bars matching the Vario cooling appliances and also the 200 series ovens. Depending on the length, handle bars come with two or three mounts.

Handle bar with 2 mounts

GH 020 010

Handle bar, stainless steel,
Length 20 cm, height 49 mm,
drilling distance 177 mm.

GH 030 010

Handle bar, stainless steel,
Length 30 cm, height 49 mm,
drilling distance 277 mm.

GH 031 010

Handle bar, stainless steel,
match to BOP, Length 30.5 cm,
height 49 mm, drilling distance 282 mm.

GH 045 010

Handle bar, stainless steel,
Length 45 cm, height 49 mm,
drilling distance 427 mm.

GH 050 010

Handle bar, stainless steel,
Length 50 cm, height 49 mm,
drilling distance 477 mm.

GH 060 010

Handle bar, stainless steel,
Length 60 cm, height 49 mm,
drilling distance 577 mm.

GH 070 010

Handle bar, stainless steel,
Length 70 cm, height 49 mm,
drilling distance 677 mm.

GH 080 010

Handle bar, stainless steel,
Length 80 cm, height 49 mm,
drilling distance 777 mm.

GH 090 010

Handle bar, stainless steel,
Length 90 cm, height 49 mm,
drilling distance 877 mm.



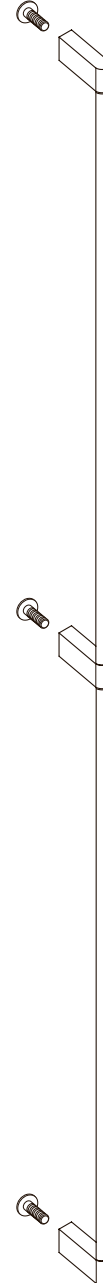
Handle bar with 3 mounts

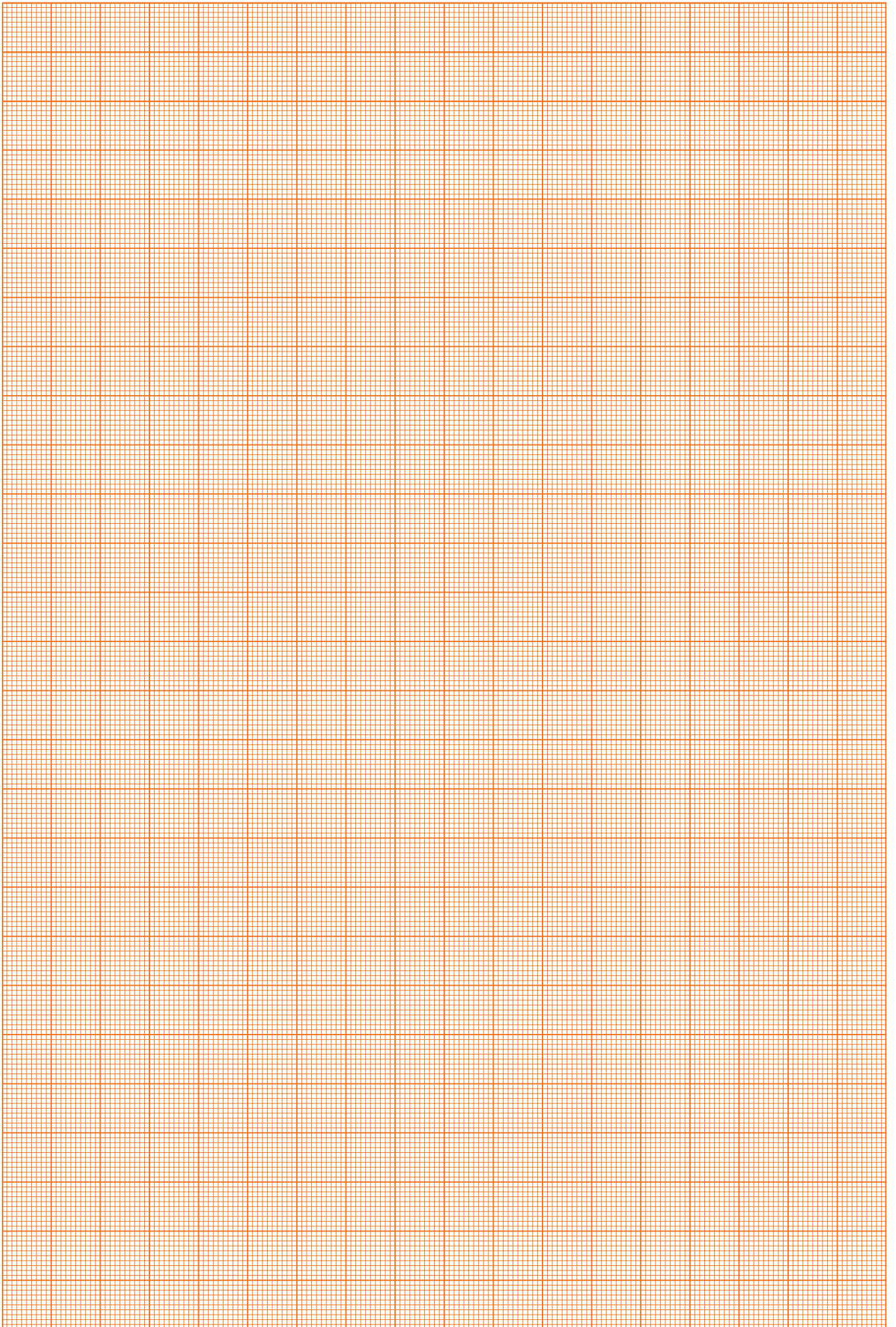
GH 110 010

Handle bar, stainless steel,
Length 110 cm, height 49 mm,
Drilling distance 538.5 mm each.

GH 140 010

Handle bar, stainless steel,
Length 140 cm, height 49 mm,
Drilling distance 688.5 mm each.





© Copyright by
BSH Hausgeräte GmbH
P.O. Box 830101
81701 Munich
Edition 2022 I.

The data and facts expressed herein are current as of June 2022. Gaggenau reserves the right to implement technical modifications that serve the purpose of progress.

The appliances are for household use only.

The difference is Gaggenau.

Gaggenau

Grand Union House
Old Wolverton Road
Wolverton
Milton Keynes
MK12 5PT

www.gaggenau.com/gb

Gaggenau London:

40 Wigmore Street
London
W1U 2RX
gaggenaulondon@gaggenau.com
03448 928988 (option 2)

Gaggenau Dealer Management Centre:

0844 892 8929
0145 02588 (Ireland)
gaggenauservice.uk@gaggenau.com

www.gaggenau.com/gb